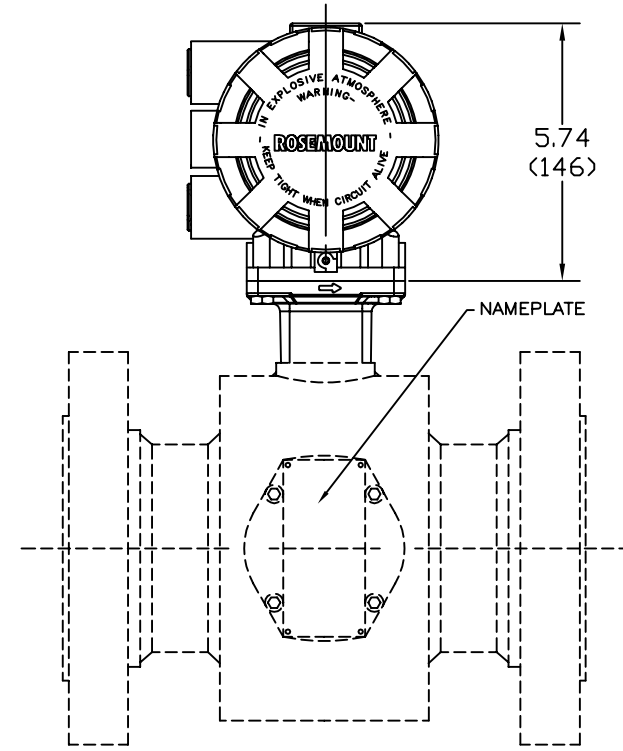
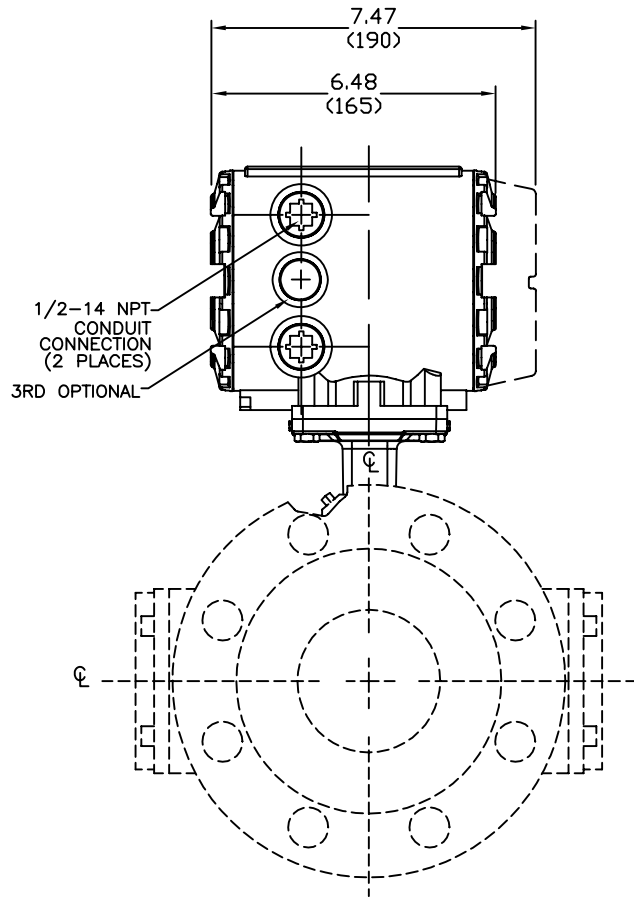


INTEGRALLY MOUNTED 8732 TRANSMITTER

REVISIONS				
REV	DESCRIPTION	CHG.NO.	APP'D	DATE
AA	NEW RELEASE	RTC1007594	JRC	8/30/00
AB	UPDATE	RTC1015784	MM	7/5/03
AC	ADD REMOTE MOUNTING BRACKET	RTC1016298	MM	10/2/03
AD	ADD CERTIFIED NOTE	RTC1022196	M.J.M.	6/19/06
AE	REMOVE 8732C REFERENCES, WAS 3/4", ADD 3RD CONDUIT	RTC1023619	M.J.M.	3/20/07
AF	ADD CONDUIT ENTRY TO RIGHT VIEW	RTC1023823	M.J.M.	3/16/07



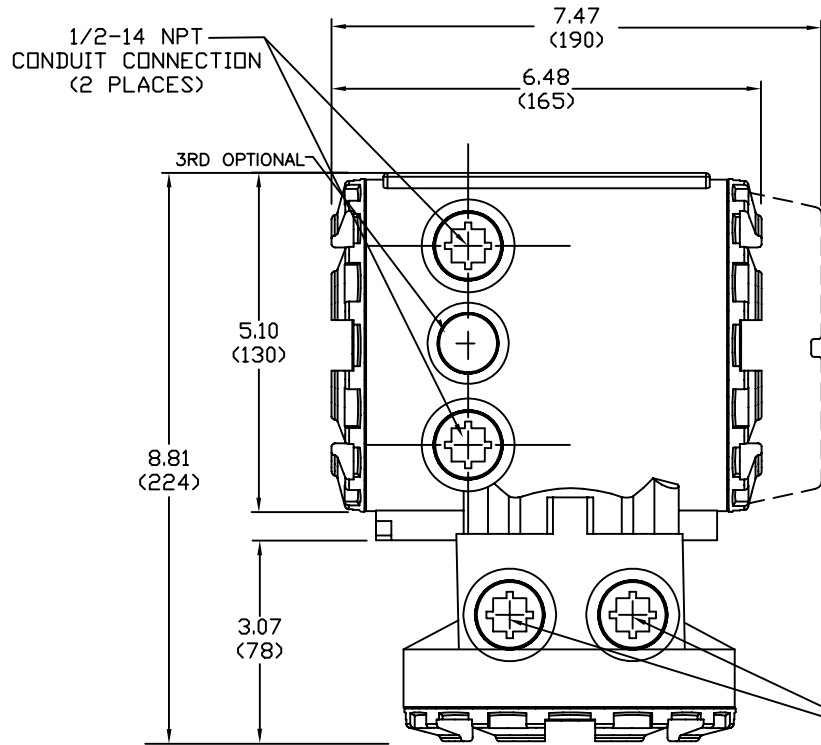
OPTION 1

1. ROSEMOUNT INC. CERTIFIES THESE DRAWINGS ARE IN ACCORDANCE WITH ROSEMOUNT ENG. SPECIFICATIONS AND ACCURATELY REPRESENTS THE EQUIPMENT FURNISHED.

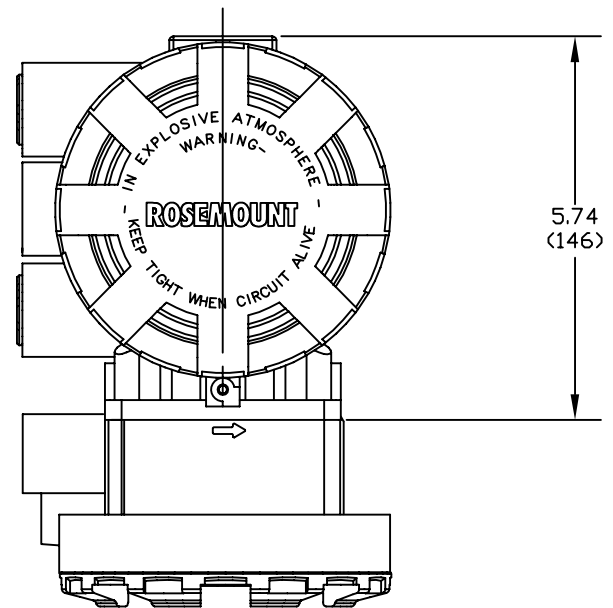
*UNLESS OTHERWISE SPECIFIED DIMENSIONS IN INCHES (MM)		TYPE 1	ROSEMOUNT [®] INC. CHANHASSEN, MINNESOTA	
DR. JOHN ARMSTRONG	04/15/00	TITLE OUTLINE INSTALLATION DRAWING FOR MODEL 8732 MAGNETIC FLOWMETER TRANSMITTER		
APP'D. DRAWING	-	DRAWING NO. 08732-1500		
APP'D. DRAWING	-			
APP'D. TAGGING	-			
APP'D. SPECIALS	-			
SCALE: NONE		FSCM.NO. A 04274	SHEET 1 OF 3	



REMOTE 8732 TRANSMITTER

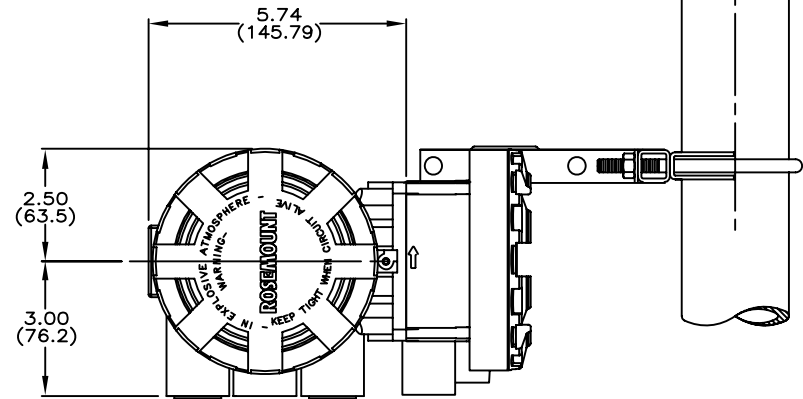
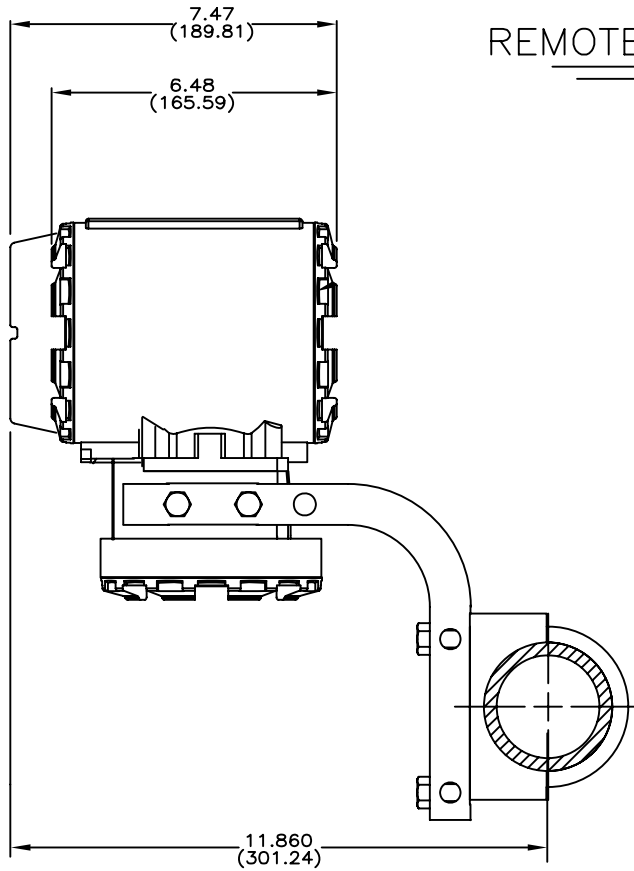


1/2-14 NPT
FLOWTUBE CONDUIT
CONNECTIONS
(2 PLACES)



ROSEMOUNT INC. CHANHASSEN, MINN.			
SIZE A	FSCM.NO.	DRAWING NO.	08732-1500
SCALE:		SHEET	2 OF 3

REMOTE MOUNTED 8732 TRANSMITTER



OPTION 2

ROSEMOUNT INC. MINNEAPOLIS, MINN.		SIZE	FSCM.NO.	DRAWING NO.	
DR		A	04274	08732-1500	
ISSUE		SCALE:	WT.	SHEET 3 OF 3	