

ASCO™ Solenoid Valves

2 way, NC, Direct Operated, 1/8" Tapped, Push-in Fitting, Nut for Tube

Features & Benefits

- Wide range of flow and pressure ratings
- Quick disassembly of core tube for easy maintenance of internal parts
- Standard disc seal made of NBR, FPM, EPDM suitable for a wide range of operating temperatures and compatible with many fluids
- AC/DC interchangeability of the solenoid without disassembly of the valve
- UL429 and EN 60335 certified
- NSF 169 and EC 1935 / 2004 certified see "15-DIGIT PRODUCT CODE"
- Compact and low weight valve
- The solenoid valves satisfy all relevant EU and EAC directives

General

Differential pressure See «SPECIFICATIONS» [1 bar = 100 kPa]
Ambient temperature range -10°C to +60°C (14°F to 140°F)
Maximum viscosity 40 cSt (mm²/s)
Response time 10 - 20 ms

fluids (*)	temperature range (TS) ⁽¹⁾	seal materials (*)
air, inert gas, water, oil hot water and low pressure steam	0°C to +130°C (32°F to 266°F)	FPM (fluoroelastomer)
air, inert gas, water, hot water (push-in connection only)	0°C to +90°C (32°F to 194°F)	FPM (fluoroelastomer) EPDM (ethylene propylene diene monomer)
air, inert gas, water hot water and low pressure steam	-10°C to +140°C (14°F to 284°F)	EPDM (ethylene propylene diene monomer)
air, inert gas, water, oil	-10°C to +90°C (14°F to 194°F)	NBR (nitrile)

Materials in contact with fluid

(*) Ensure that the compatibility of the fluids in contact with the materials is verified

Body Composite (PPS)
Shutting coil Copper
Core tube Stainless steel
Core and plugnut Stainless steel
Springs Stainless steel
Seal FPM or EPDM or NBR

Electrical characteristics

Coil insulation class F (H - approval pending)
Connector Spade plug (cable Ø 6-8 mm or Ø 6-10 mm)
Connector specification DIN 43650, 11 mm, industry standard B (type 01)
 or ISO 4400 / EN 175301-803, form A (type 02)
Electrical safety IEC 335
Electrical enclosure protection Moulded IP67 (EN 60529) with plug-connector
Standard voltages DC (=) : 12 - 24V (+10% -5%)
 AC (~) : 24V/50-60 Hz - 110V/50 Hz (120 V/60Hz)
 230V/50-60 Hz (+10% -15%)

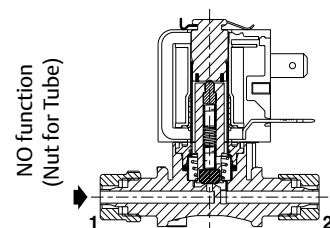
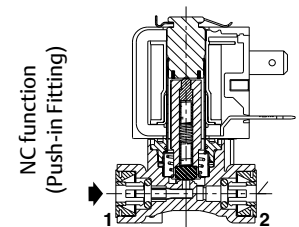
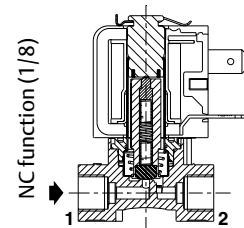
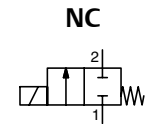
operator ambient temperature range (TS) °C (°F)	power ratings			replacement coil			Type
	holding		hot/cold	~	=	24 V DC	
	(VA)	(W)	(W)	120 V/60 Hz, 110 V/50 Hz	230 V /50-60 Hz		
-10 to +60 (14 to 140)	4.5	3	3.5	533534-024	533534-003	533534-001	01

Options

- NSF 169, EC 1935 / 2004 approval, EPDM/FPM disc and seal (Food Grade)

(*) Ensure that the compatibility of the fluids in contact with the materials is verified.

⁽¹⁾ The minimum ambient temperature of the solenoid valve is determined by the limitations of minimum temperature indicated.



01526GB-2024/R01
Availability, design and specifications are subject to change without notice. All rights reserved.

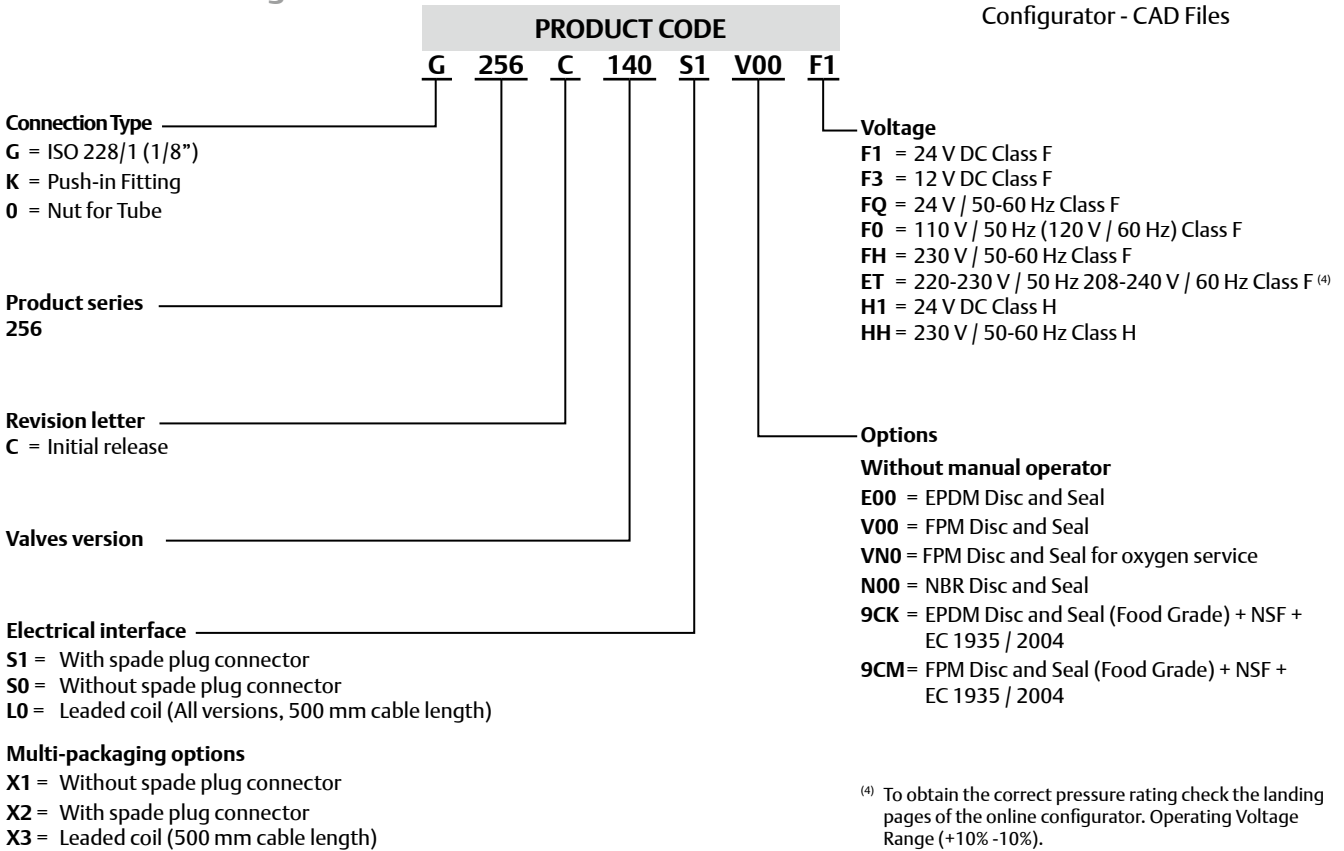
Specifications ⁽¹⁾

pipe size	orifice size		flow coefficient Kv		operating pressure differential bar (psi)						power coil (W)		thread type	dimensions / type ⁽²⁾	15-DIGIT PRODUCT CODE							
	mm (in)	m ³ /h (Cv)	(l/min)	min.	max. (PS)						~	=			composite	options		voltage code				
					air (*)		water (*)		oil (*)							without manual operator	with manual operator	230 V/50-60 Hz	110 V/50 Hz (120 V / 60 Hz)	24 V/50-60 Hz	12 V/DC	24 V/DC
	~	=	~	=	~	=	~	=	~	=	~	=			thread type	dimensions / type ⁽²⁾	without manual operator	with manual operator	230 V/50-60 Hz	110 V/50 Hz (120 V / 60 Hz)	24 V/50-60 Hz	12 V/DC
NC - Normally closed, FPM disc and seal ⁽³⁾																						
1/8	1.6 (1/16)	0.066 (0.07)	1.10	0	10 (145)	10 (145)	10 (145)	10 (145)	10 (145)	10 (145)	3	3.5	G	01	G256C140S1	V00	-	FH	F0	FQ	F3	F1
	2 (5/64)	0.08 (0.09)	1.33	0	10 (145)	5.6 (81)	10 (145)	5.6 (81)	10 (145)	5.6 (81)	3	3.5	G	01	G256C141S1							
push-in fitting	1.6 (1/16)	0.066 (0.07)	1.10	0	10 (145)	10 (145)	10 (145)	10 (145)	10 (145)	10 (145)	3	3.5	-	01	K256C140S1	V00	-	FH	F0	FQ	F3	F1
	2 (5/64)	0.08 (0.09)	1.33	0	10 (145)	5.6 (81)	10 (145)	5.6 (81)	10 (145)	5.6 (81)	3	3.5	-	01	K256C141S1							
nut for tube	1.6 (1/16)	0.066 (0.07)	1.10	0	10 (145)	10 (145)	10 (145)	10 (145)	10 (145)	10 (145)	3	3.5	-	01	O256C140S1	V00	-	FH	F0	FQ	F3	F1
	2 (5/64)	0.08 (0.09)	1.33	0	10 (145)	5.6 (81)	10 (145)	5.6 (81)	10 (145)	5.6 (81)	3	3.5	-	01	O256C141S1							

⁽¹⁾All performances are referred to Ambient Temperature = +60°C.
⁽²⁾For dimensions, see drawing(s) for each construction type on the following page(s).
⁽³⁾Low pressure steam: FPM and EPDM sealings PS max. 1.9 bar (max. fluid temperature 120°C).
 (*) Ensure that the compatibility of the fluids in contact with the materials is verified.

Product selection guide

Configurator - CAD Files



01526GB-2024/R01
 Availability, design and specifications are subject to change without notice. All rights reserved.

Installation

- The solenoid valves can be mounted in any position without affecting operation
- Solenoid valves have 2 mounting holes in body
- Thread connection “G” applicable for 1/8, have standard thread according to ISO 228/1
- Push-in version: For tube 4 mm dia.
- Nut for tube: Tube 4 mm ID / 6 mm OD
- Installation/maintenance instructions are included with each valve

Dimensions mm (inches), Weight kg (Lbs)

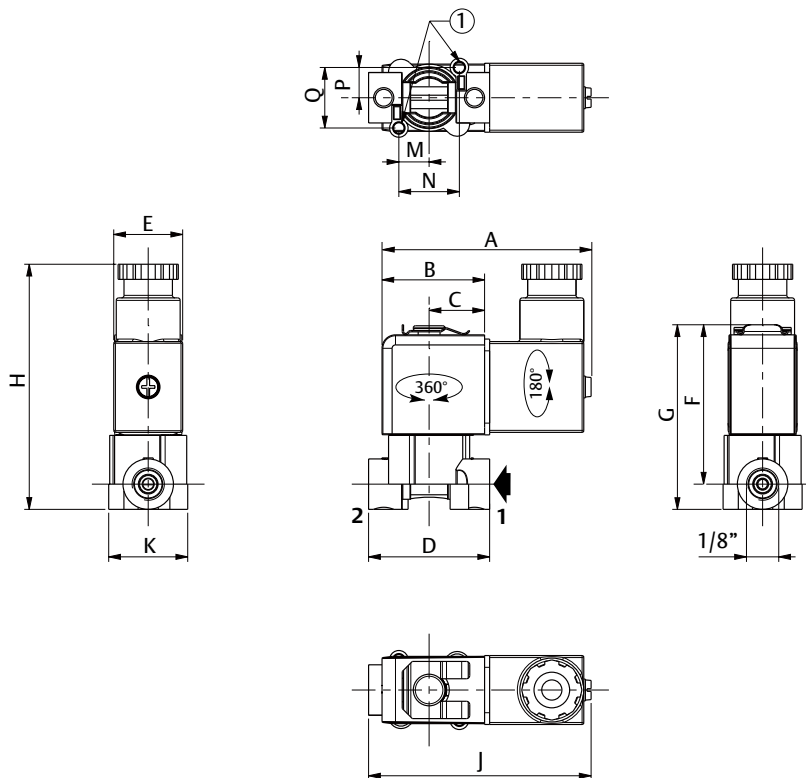
Configurator - CAD Files



TYPE 01

Electrical interface “S1”
Coil size 20 mm - Thermoplastic moulded
IEC 335 / DIN 43650
IP67

NC (1/8”): G256C140 and 141



- ① 2 mounting holes:
3.1 dia. through holes (0.12 inch dia.)

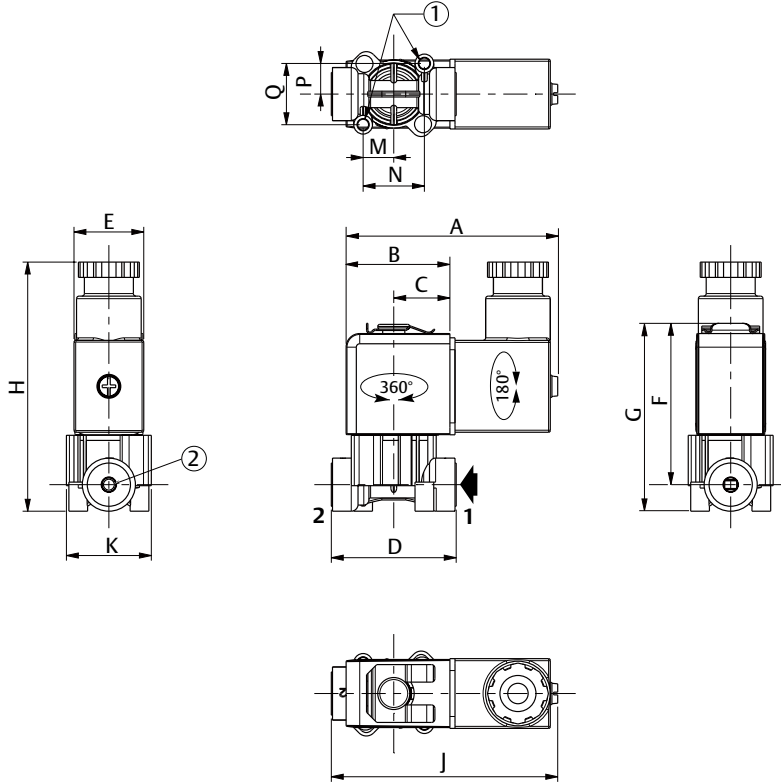
size 20		A	B	C	D	E	F	G	H	J	K	M	N	P	Q	weight ⁽¹⁾	
G256C140 / G256C141	mm	61.9	30.5	16.5	36	20.5	47.4	54	72.9	66.2	23.5	9	18	9	18	0.093	kg
	(in)	2.44	1.20	0.65	1.4	0.8	1.86	2.16	2.87	2.60	0.92	0.35	0.71	0.35	0.71	0.20	(Lbs)

⁽¹⁾ Incl. coil(s) and connector(s).

Dimensions mm (inches), Weight kg (Lbs)

Configurator - CAD Files


NC (push-in fitting): K256C140 and 141



- ① 2 mounting holes:
3.2 dia. through holes (0.12 inch dia.)
- ② Hose, 2 mm ID (0.078 inch ID)

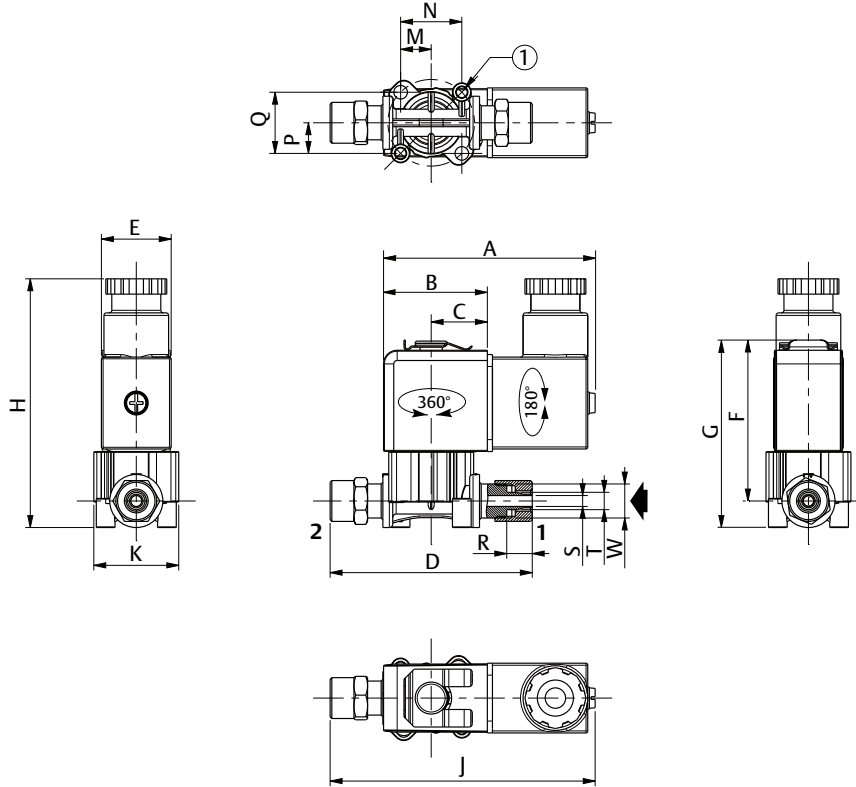
size 20		A	B	C	D	E	F	G	H	J	K	M	N	P	Q	weight ⁽¹⁾	
K256C140 / K256C141	mm	61.9	30.5	16.5	36.7	20.5	47.4	52.2	73.2	66.5	25	9	18	9	18	0.093	kg
	(in)	2.44	1.20	0.65	1.44	0.80	1.86	2.05	2.88	2.61	0.98	0.35	0.71	0.35	0.71	0.20	(Lbs)

⁽¹⁾ Incl. coil(s) and connector(s).

Dimensions mm (inches), Weight kg (Lbs) 

Configurator - CAD Files

NC (nut for tube): 0256C140 and 141



- ① 2 mounting holes:
3.2 dia. through holes (0.12 inch dia.)

size 20		A	B	C	D	E	F	G	H	J	K	M	N	P	Q
0256C140/141	mm	61.9	30.5	16.5	59.4	20.5	47.3	50	73.1	77.9	24.95	9	18	9	18
	(in)	2.44	1.20	0.65	2.33	0.81	1.86	1.97	2.87	3.06	0.98	0.35	0.71	0.35	0.71

		R	ØS	ØT	ØW	weight ⁽¹⁾	
0256C140/141	mm	7.5	3.2	5.1	M10x1	0.092	kg
	(in)	0.29	0.12	2	3/8x1	0.2	(Lbs)

⁽¹⁾ Incl. coil(s) and connector(s).