

Series A-Pilotair®



AVENTICS™ Series A-Pilotair®

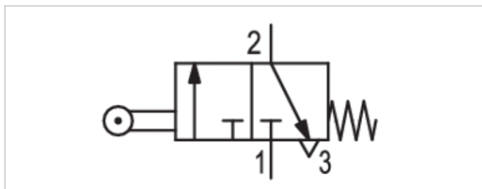


Series A-Pilotair®

- 2-CA-1A, Cam follower
- Qn = 1300 l/min
- Compressed air connection output 1/4 - 18 NPTF



Version	Poppet valve
Activation	Mechanical
Sealing principle	Soft sealing
Nominal flow Qn	1300 l/min
Working pressure min./max.	0 ... 13.7 bar
Control pressure min./max.	0 ... 17.3 bar
Ambient temperature min./max.	-40 ... 93 °C
Medium temperature min./max.	-40 ... 93 °C
Medium	Compressed air
Max. particle size	40 µm
Oil content of compressed air	0 ... 1 mg/m³
Max. input pressure	17.2 bar
Weight	0.34 kg



Technical data

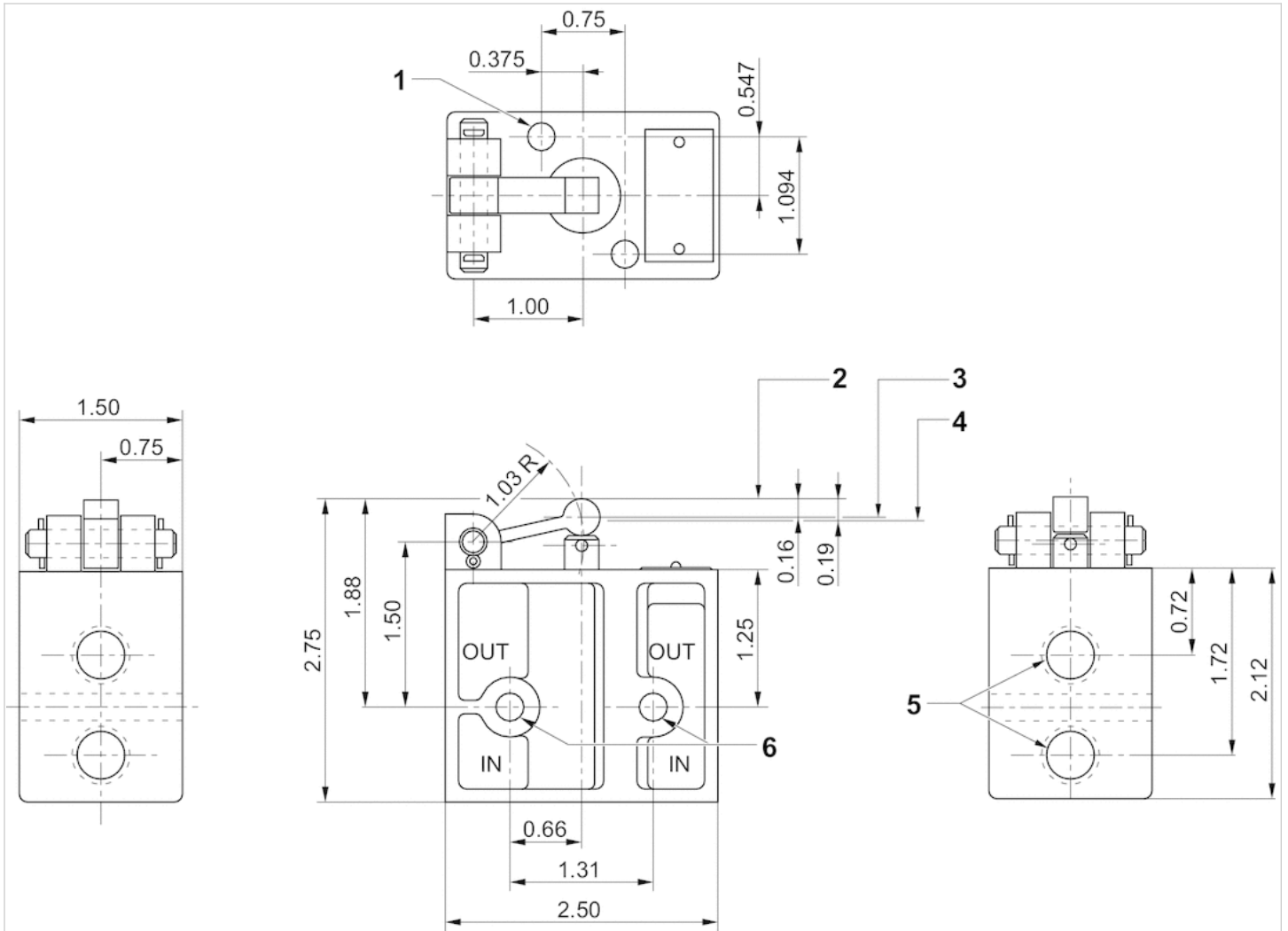
Part No.	Version	Compressed air connection Input	Compressed air connection Output
R431004665	NC	1/4 - 18 NPTF	1/4 - 18 NPTF

Technical information

Material	
Housing	Die-cast aluminum

Dimensions

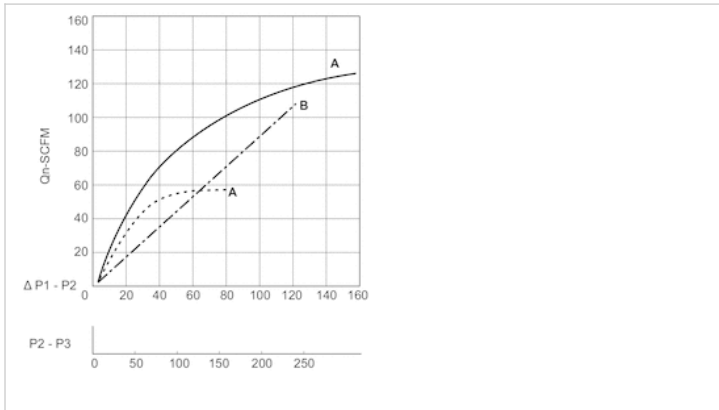
Dimensions in inches



- 1) Mounting hole $\text{Ø}26$
- 2) Air off position
- 3) Air on position
- 4) Full on position
- 5) 1/4 - 18 NPTF
- 6) Mounting hole $\text{Ø}26$

Diagrams

Flow diagram



A) $p1 = 200$

A) $p1 = 80$

B) ($p1 - Pp2$) Port 1 (input) ▶ Port 2 (Output)

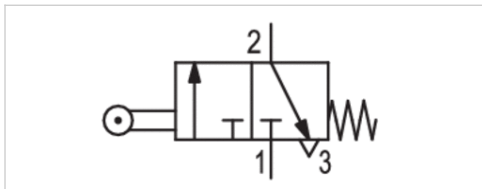
($p2 - p3$) Port 2 (Output) ▶ Port 3 (Exhaust)

Series A-Pilotair®

- 2-CA-1A-2W, Roller, NC
- Qn = 1300 l/min
- Compressed air connection output 1/4 - 18 NPTF



Version	Poppet valve
Activation	Mechanical
Actuating element	Roller
Sealing principle	Soft sealing
Nominal flow Qn	1300 l/min
Working pressure min./max.	0 ... 17.3 bar
Control pressure min./max.	0 ... 13.7 bar
Ambient temperature min./max.	-40 ... 93 °C
Medium temperature min./max.	-40 ... 93 °C
Medium	Compressed air
Max. particle size	40 µm
Oil content of compressed air	0 ... 1 mg/m³
Max. input pressure	17.2 bar
Weight	0.34 kg



Technical data

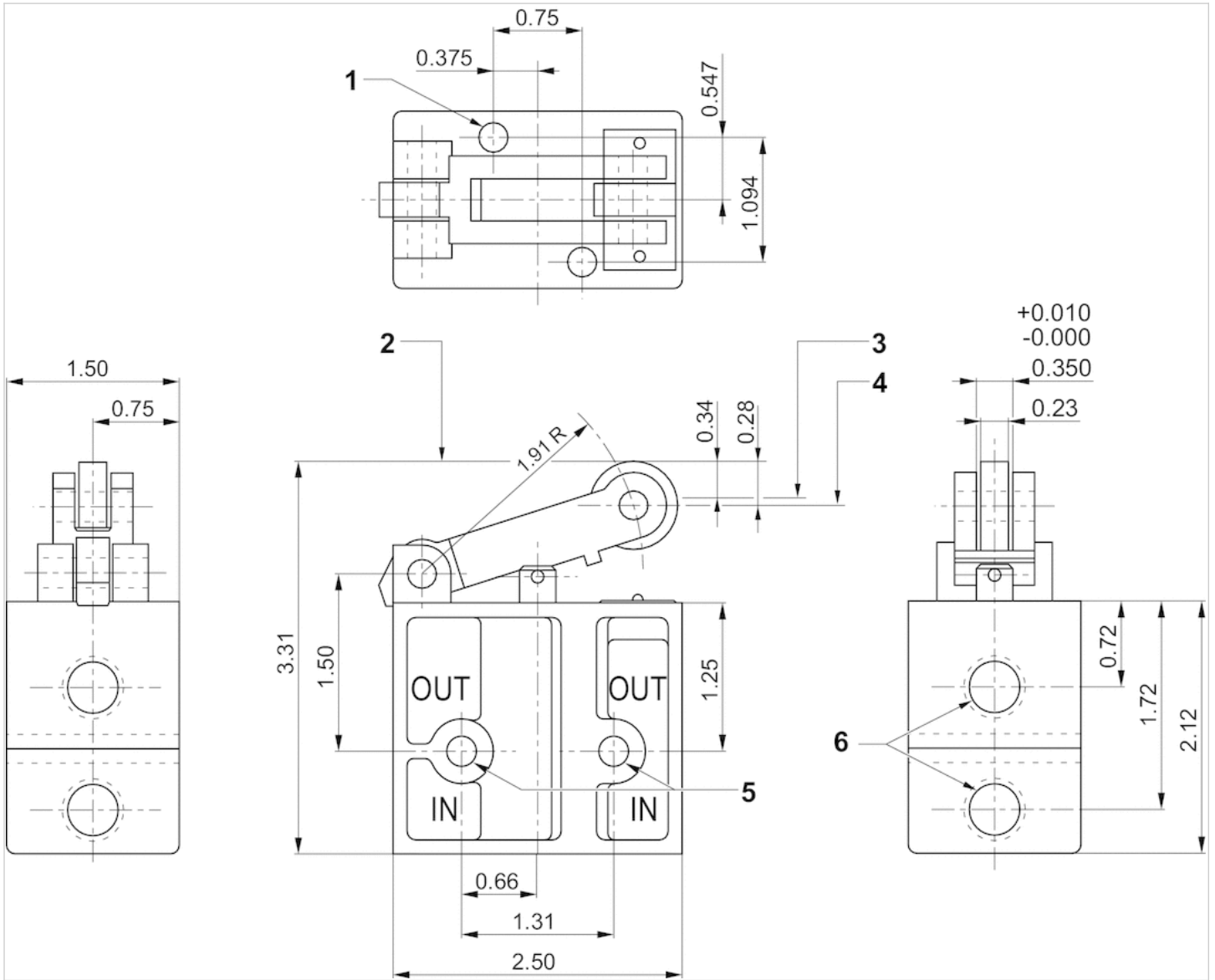
Part No.	Version	Compressed air connection Input	Compressed air connection Output
R431004666	NC	1/4 - 18 NPTF	1/4 - 18 NPTF

Technical information

Material	
Housing	Die-cast aluminum

Dimensions

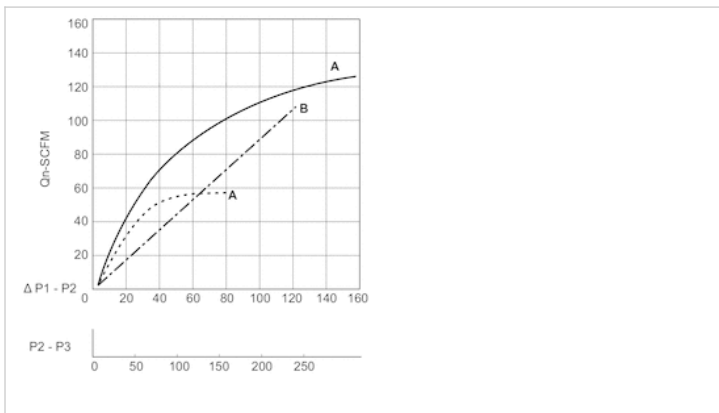
Dimensions in inches



- 1) Mounting hole Ø26
- 2) Air off position
- 3) Air on position
- 4) Full on position
- 5) Mounting hole Ø26
- 6) 1/4 - 18 NPTF

Diagrams

Flow diagram



A) $p1 = 200$

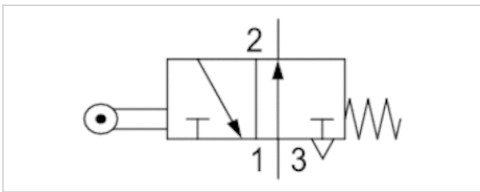
A) $p1 = 80$

B) ($p1 - Pp2$) Port 1 (input) ▶ Port 2 (Output)

($p2 - p3$) Port 2 (Output) ▶ Port 3 (Exhaust)

Series A-Pilotair®

- 2-CA-1B, Roller lever, one-way trip, NO
- $Q_n = 1300$ l/min
- $Q_n 1 \rightarrow 2 = 8.2-17.2$ l/min
- Compressed air connection output 1/4 - 18 NPT



Version	Poppet valve
Activation	Mechanical
Actuating element	Roller lever, one-way trip
Sealing principle	Soft sealing
Nominal flow Q_n	1300 l/min
Working pressure min./max.	0 ... 13.7 bar
Control pressure min./max.	0 ... 17.3 bar
Ambient temperature min./max.	-40 ... 93 °C
Medium temperature min./max.	-40 ... 93 °C
Medium	Compressed air
Max. particle size	40 μ m
Oil content of compressed air	0 ... 1 mg/m ³
Max. input pressure	17.2 bar
Weight	0.45 kg

Technical data

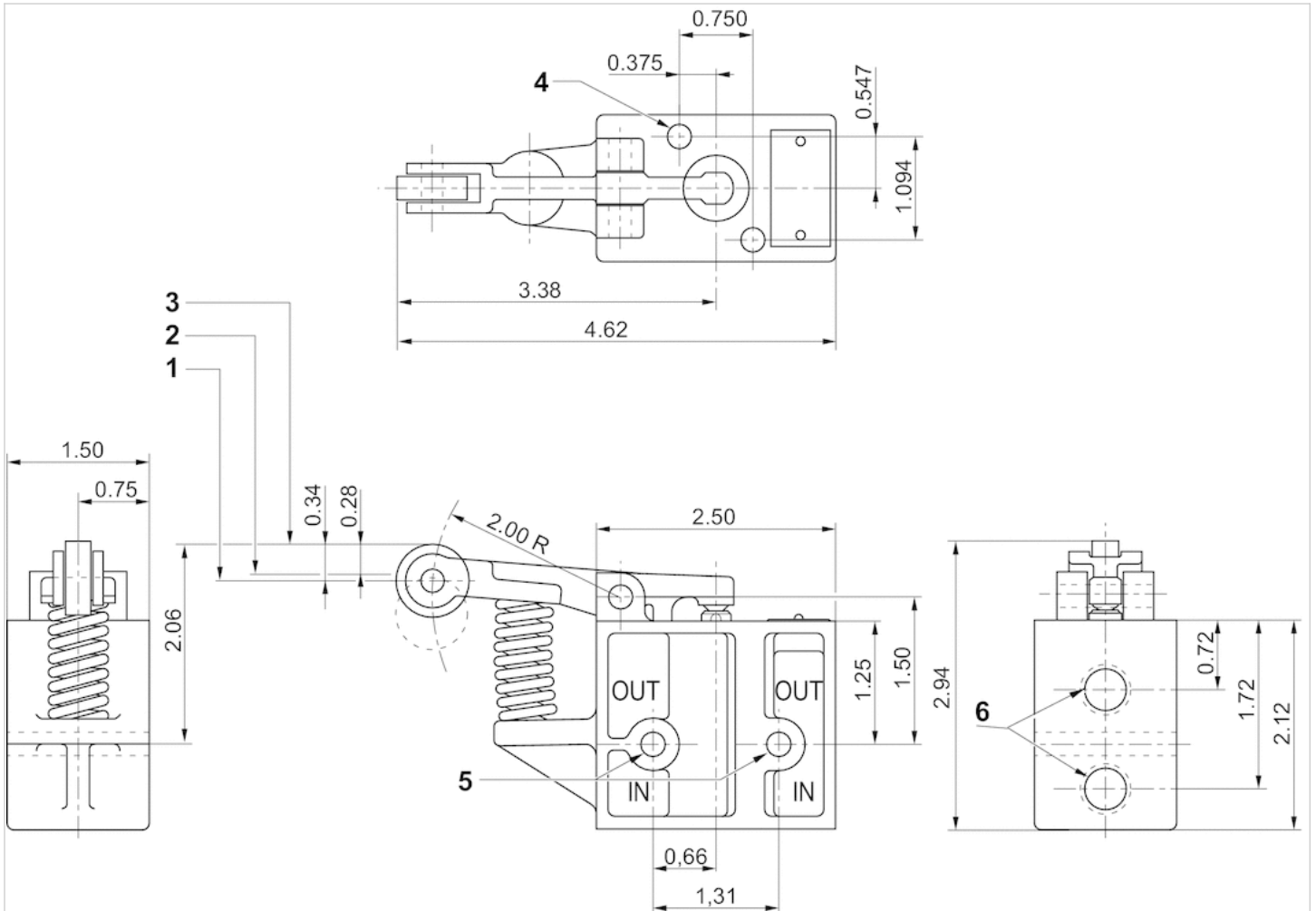
Part No.	Version	Compressed air connection Input	Compressed air connection Output	Flow
				$Q_n 1 \rightarrow 2$
R431004669	NO	1/4 - 18 NPT	1/4 - 18 NPT	17.2 l/min
R431004671	NO	1/4 - 18 NPT	1/4 - 18 NPT	17.2 l/min
R431004672	NO	1/4 - 18 NPT	1/4 - 18 NPT	8.2 l/min
R431004673	NO	1/4 - 18 NPT	1/4 - 18 NPT	17.2 l/min

Technical information

Material	
Housing	Die-cast aluminum

Dimensions

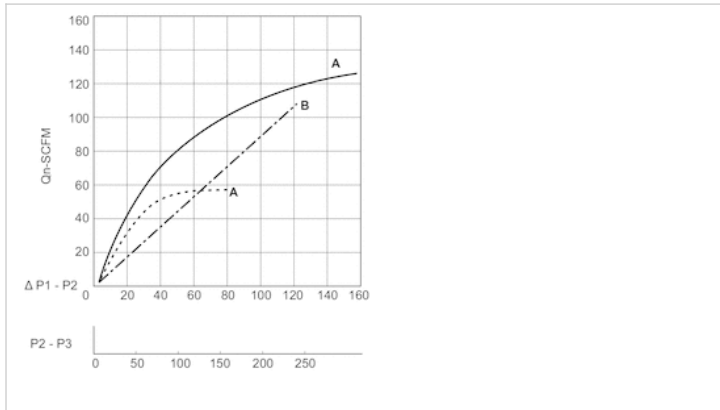
Dimensions in inches



- 1) Mounting hole $\varnothing 26$
- 2) Full on position
- 3) Air off position
- 4) Air on position
- 5) Mounting hole $\varnothing 26$
- 6) 1/4 - 18 NPTF

Diagrams

Flow diagram



A) $p1 = 200$

A) $p1 = 80$

B) ($p1 - Pp2$) Port 1 (input) ▶ Port 2 (Output)

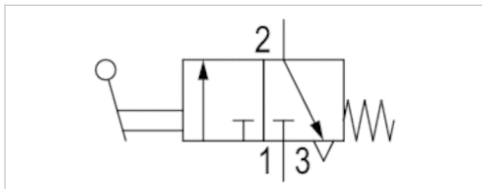
($p2 - p3$) Port 2 (Output) ▶ Port 3 (Exhaust)

Series A-Pilotair®

- 2-LA-1A, With hand lever, normally closed
- Qn = 1300 l/min
- Compressed air connection output 1/2-14 NPTF



Version	Poppet valve
Activation	Mechanical
Sealing principle	Soft sealing
Nominal flow Qn	1300 l/min
Working pressure min./max.	0 ... 17.3 bar
Control pressure min./max.	0 ... 13.7 bar
Ambient temperature min./max.	-40 ... 93 °C
Medium temperature min./max.	-40 ... 93 °C
Medium	Compressed air
Max. particle size	40 µm
Oil content of compressed air	0 ... 1 mg/m³
Max. input pressure	17.2 bar
Weight	0.43 kg



Technical data

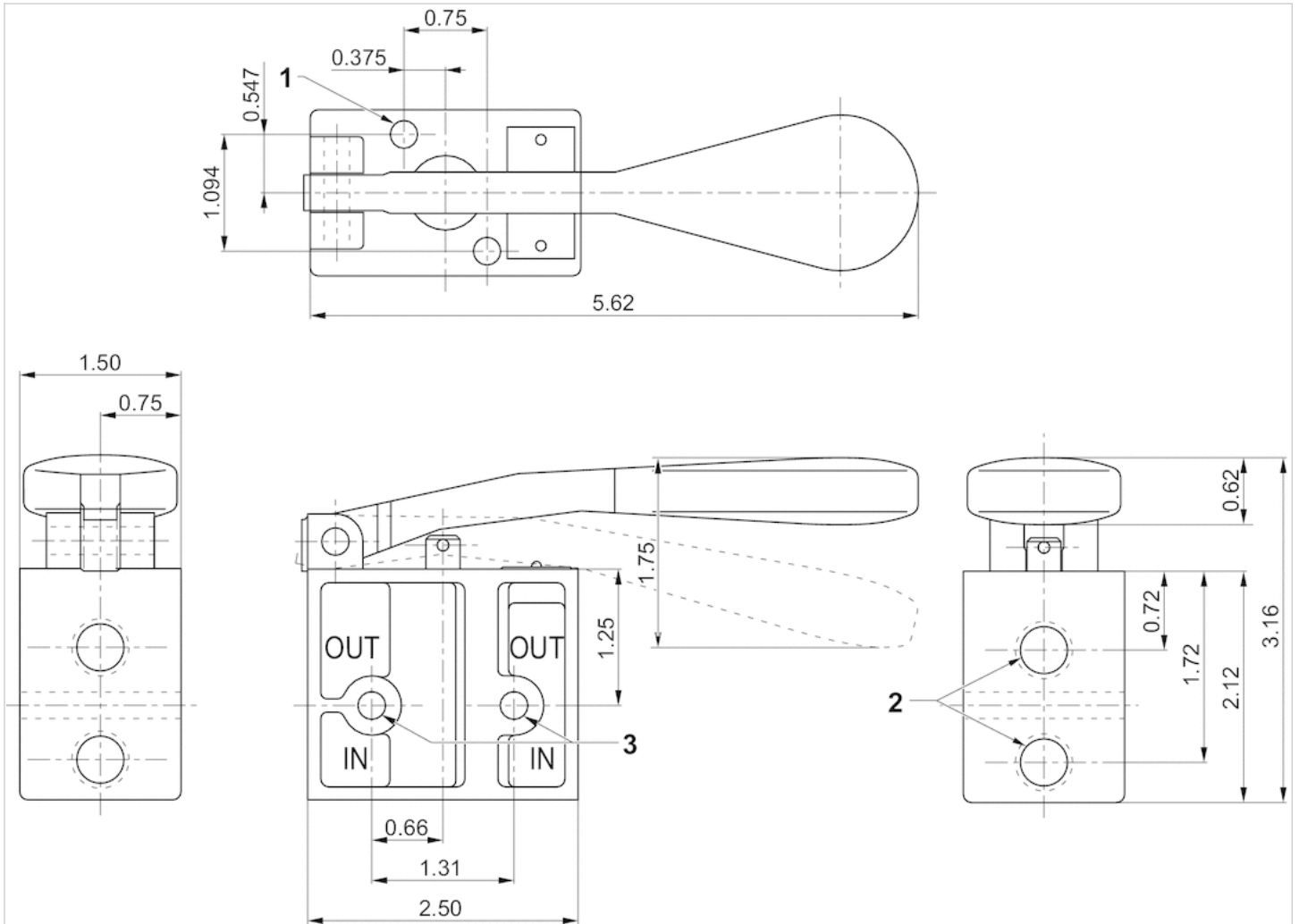
Part No.	Version	Compressed air connection Input	Compressed air connection Output
R431004675	NC	1/4 - 18 NPTF	1/2-14 NPTF

Technical information

Material	
Housing	Die-cast aluminum

Dimensions

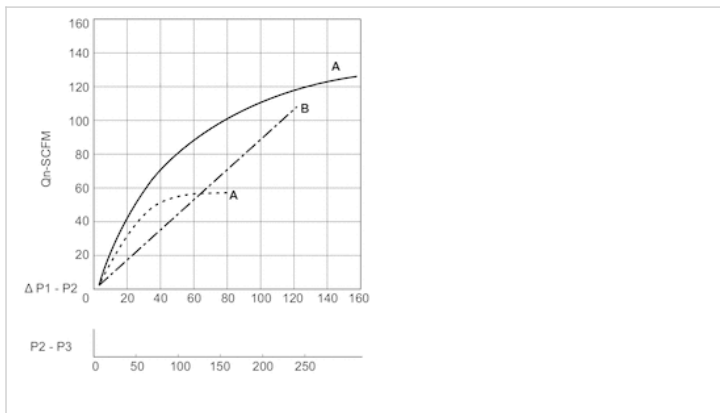
Dimensions in inches



- 1) Mounting hole $\varnothing 26$
- 2) 1/4 - 18 NPTF
- 3) Mounting hole $\varnothing 26$

Diagrams

Flow diagram



A) $p1 = 200$

A) $p1 = 80$

B) ($p1 - Pp2$) Port 1 (input) ▶ Port 2 (Output)

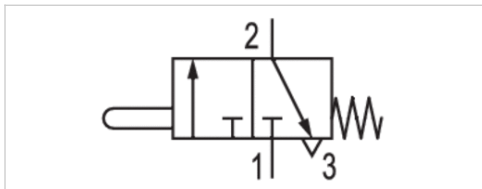
($p2 - p3$) Port 2 (Output) ▶ Port 3 (Exhaust)

Series A-Pilotair®

- 2-MA-1A, Plunger without clevis mounting, NC
- Qn = 1300 l/min
- Compressed air connection output 1/4 - 18 NPTF



Version	Poppet valve
Activation	Mechanical
Sealing principle	Soft sealing
Nominal flow Qn	1300 l/min
Working pressure min./max.	0 ... 17.3 bar
Control pressure min./max.	0 ... 13.7 bar
Ambient temperature min./max.	-40 ... 93 °C
Medium temperature min./max.	-40 ... 93 °C
Medium	Compressed air
Max. particle size	40 µm
Oil content of compressed air	0 ... 1 mg/m³
Max. input pressure	17.2 bar
Weight	0.23 kg



Technical data

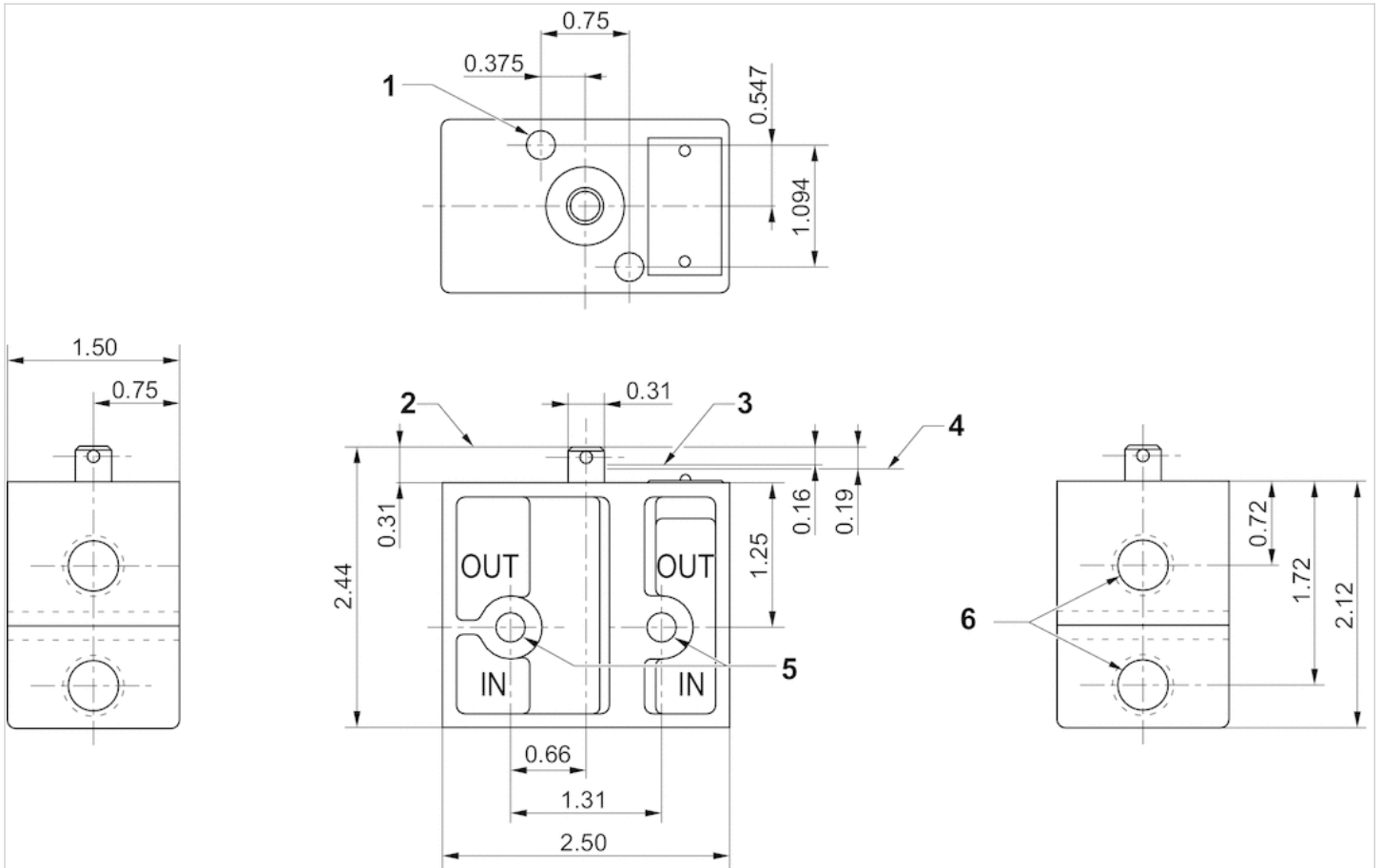
Part No.	Version	Compressed air connection Input	Compressed air connection Output
R431004659	NC	1/4 - 18 NPTF	1/4 - 18 NPTF

Technical information

Material	
Housing	Die-cast aluminum

Dimensions

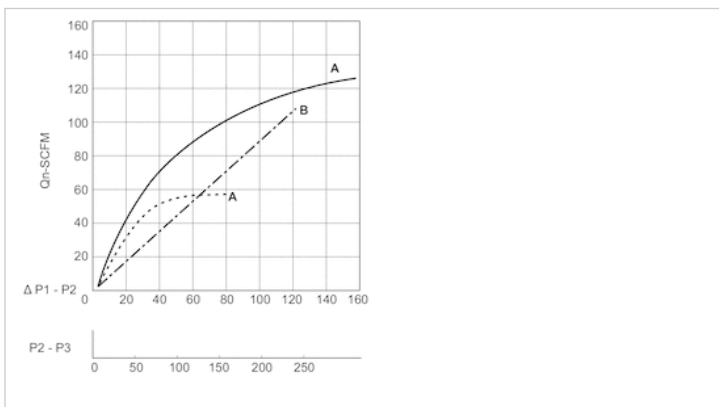
Dimensions in inches



- 1) Mounting hole $\varnothing 26$
- 2) Air off position
- 3) Air on position
- 4) Full on position
- 5) Mounting hole $\varnothing 26$
- 6) 1/4 - 18 NPTF

Diagrams

Flow diagram



A) $p1 = 200$

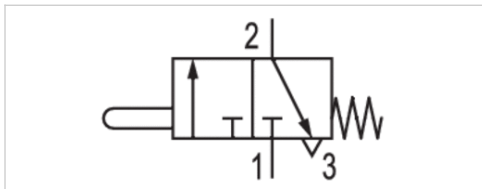
- A) p1 =80
- B) (p1 - Pp2) Port 1 (input) ▶ Port 2 (Output)
- (p2 - p 3) Port 2 (Output) ▶ Port 3 (Exhaust)

Series A-Pilotair®

- 2-MA-1A, Plunger with clevis mounting, NO
- Qn = 1300 l/min
- Compressed air connection output 1/4 - 18 NPTF



Version	Poppet valve
Activation	Mechanical
Sealing principle	Soft sealing
Nominal flow Qn	1300 l/min
Working pressure min./max.	0 ... 17.3 bar
Control pressure min./max.	0 ... 13.7 bar
Ambient temperature min./max.	-40 ... 93 °C
Medium temperature min./max.	-40 ... 93 °C
Medium	Compressed air
Max. particle size	40 µm
Oil content of compressed air	0 ... 1 mg/m³
Max. input pressure	17.2 bar
Weight	0.23 kg



Technical data

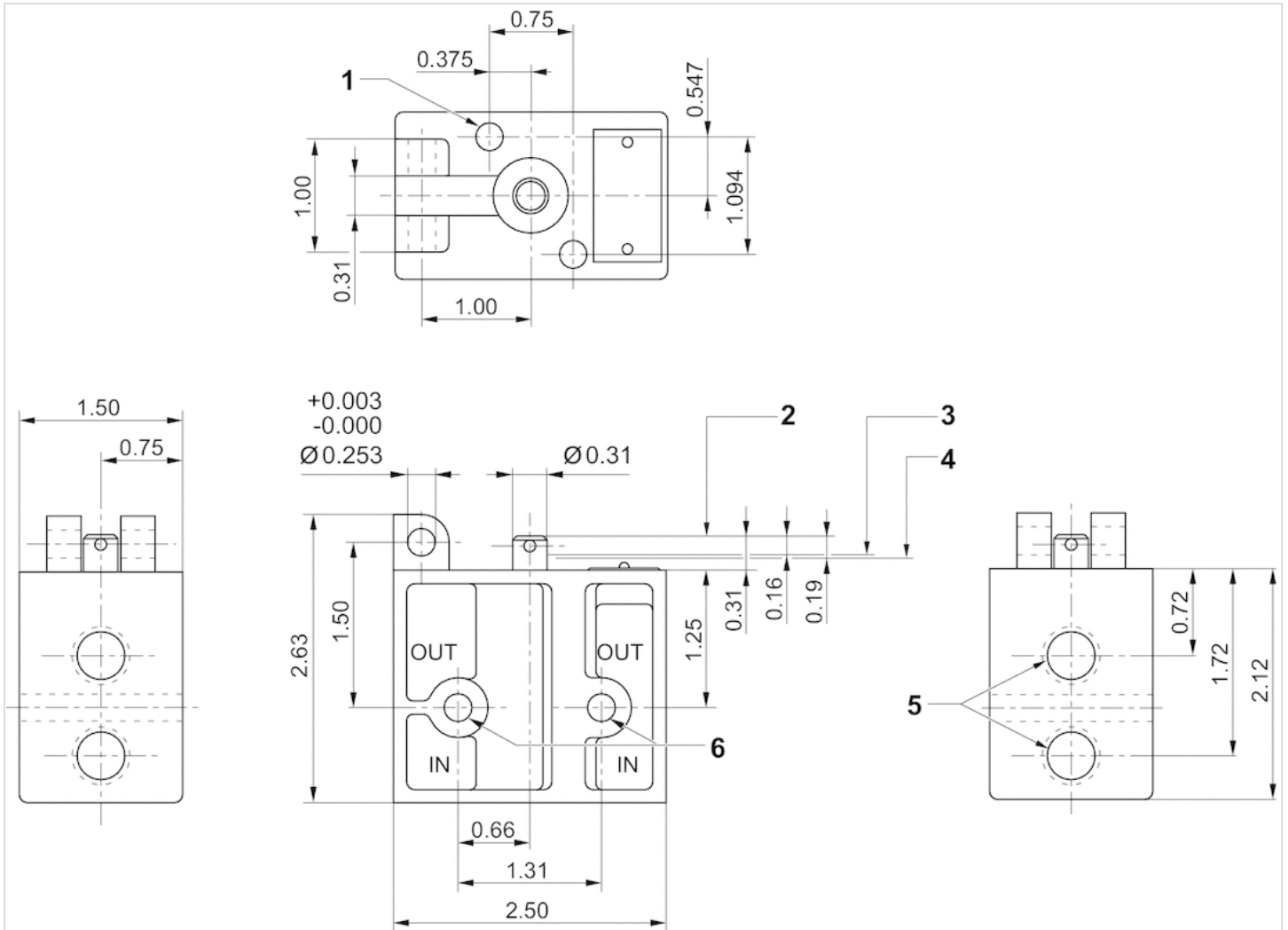
Part No.	Version	Compressed air connection Input	Compressed air connection Output
R431004661	NC	1/4 - 18 NPTF	1/4 - 18 NPTF

Technical information

Material	
Housing	Die-cast aluminum

Dimensions

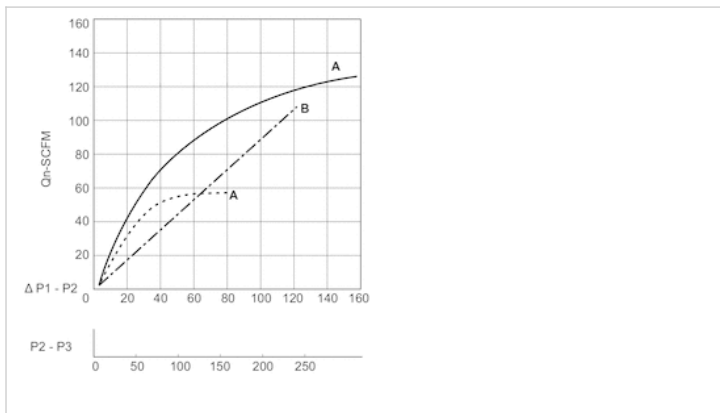
Dimensions in inches



- 1) Mounting hole $\varnothing 26$
- 2) Air off position
- 3) Air on position
- 4) Full on position
- 5) 1/4 - 18 NPTF
- 6) Mounting hole $\varnothing 26$

Diagrams

Flow diagram



A) $p1 = 200$

A) $p1 = 80$

B) ($p1 - Pp2$) Port 1 (input) ▶ Port 2 (Output)

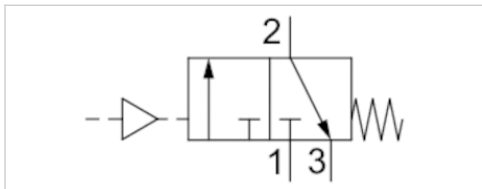
($p2 - p3$) Port 2 (Output) ▶ Port 3 (Exhaust)

Series A-Pilotair®

- 2-PA-1A, pilot air
- Qn = 1300 l/min
- Compressed air connection output 1/4 - 18 NPT



Version	Poppet valve
Activation	Mechanical
Sealing principle	Soft sealing
Nominal flow Qn	1300 l/min
Working pressure min./max.	0 ... 17.3 bar
Control pressure min./max.	0 ... 13.7 bar
Ambient temperature min./max.	-40 ... 93 °C
Medium temperature min./max.	-40 ... 93 °C
Medium	Compressed air
Max. particle size	40 µm
Oil content of compressed air	0 ... 1 mg/m³
Max. input pressure	17.2 bar
Weight	0.34 kg



Technical data

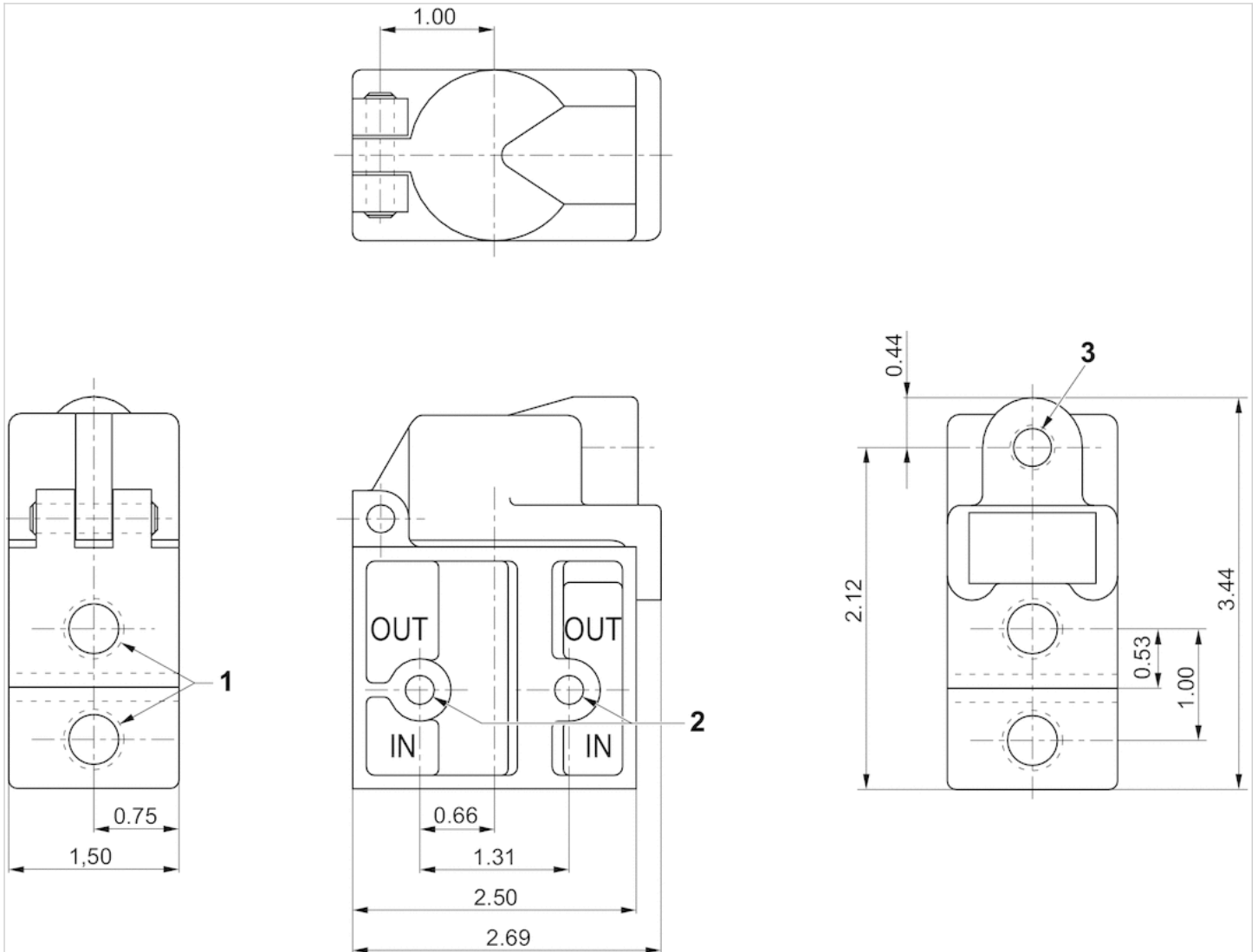
Part No.	Version	Compressed air connection Input	Compressed air connection Output
R431004674	NC	1/4 - 18 NPT	1/4 - 18 NPT

Technical information

Material	
Housing	Die-cast aluminum

Dimensions

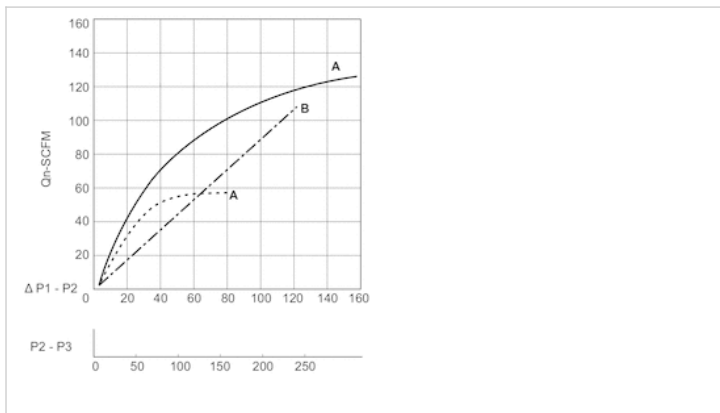
Dimensions in inches



- 1) 1/4 - 18 NPTF
- 2) Mounting hole Ø26
- 3) 1/8-27 NPTF

Diagrams

Flow diagram



A) $p1 = 200$

A) $p1 = 80$

B) ($p1 - Pp2$) Port 1 (input) ▶ Port 2 (Output)

($p2 - p3$) Port 2 (Output) ▶ Port 3 (Exhaust)

Efficient pneumatic solutions, our program: cylinders and drives, valves and valve systems, air supply management



Visit us: [Emerson.com/Aventics](https://www.emerson.com/Aventics)

Your local contact: [Emerson.com/contactus](https://www.emerson.com/contactus)



Emerson.com



[Facebook.com/EmersonAutomationSolutions](https://www.facebook.com/EmersonAutomationSolutions)



[LinkedIn.com/company/Emerson-Automation-Solutions](https://www.linkedin.com/company/Emerson-Automation-Solutions)



[Twitter.com/EMR_Automation](https://twitter.com/EMR_Automation)

An example configuration is depicted on the title page. The delivered product may thus vary from that in the illustration. Subject to change. This Document, as well as the data, specifications and other information set forth in it, are the exclusive property of AVENTICS GmbH. It may not be reproduced or given to third parties without its consent. Only use the AVENTICS products shown in industrial applications. Read the product documentation completely and carefully before using the product. Observe the applicable regulations and laws of the respective country. When integrating the product into applications, note the system manufacturer's specifications for safe use of the product. The data specified only serve to describe the product. No statements concerning a certain condition or suitability for a certain application can be derived from our information. The information given does not release the user from the obligation of own judgment and verification. It must be remembered that the products are subject to a natural process of wear and aging.

The Emerson logo is a trademark and service mark of Emerson Electric Co. Brand logotype are registered trademarks of one of the Emerson family of companies. All other marks are the property of their respective owners. © 2017 Emerson Electric Co. All rights reserved.
2019-03



CONSIDER IT SOLVED™