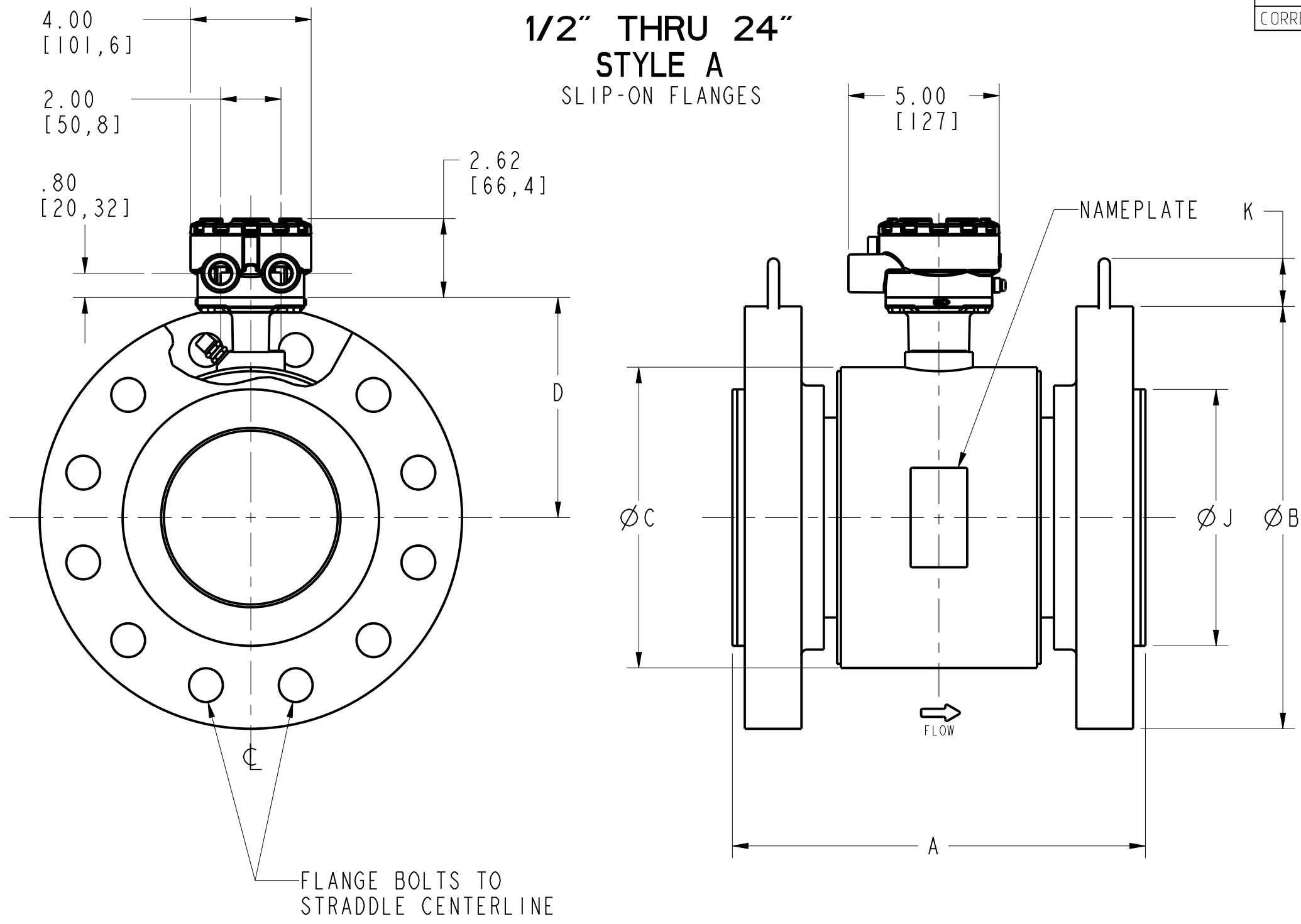


REVISION TABLE			
REVISION	ECO NO.	APP'D	DATE
AP	1158120	P.M.K.	9/3/20
DESCRIPTION			
CORRECT THE UNIT OF MEASURE FOR TABLE 1 AND 2. CHANGE LBS, KGS.			



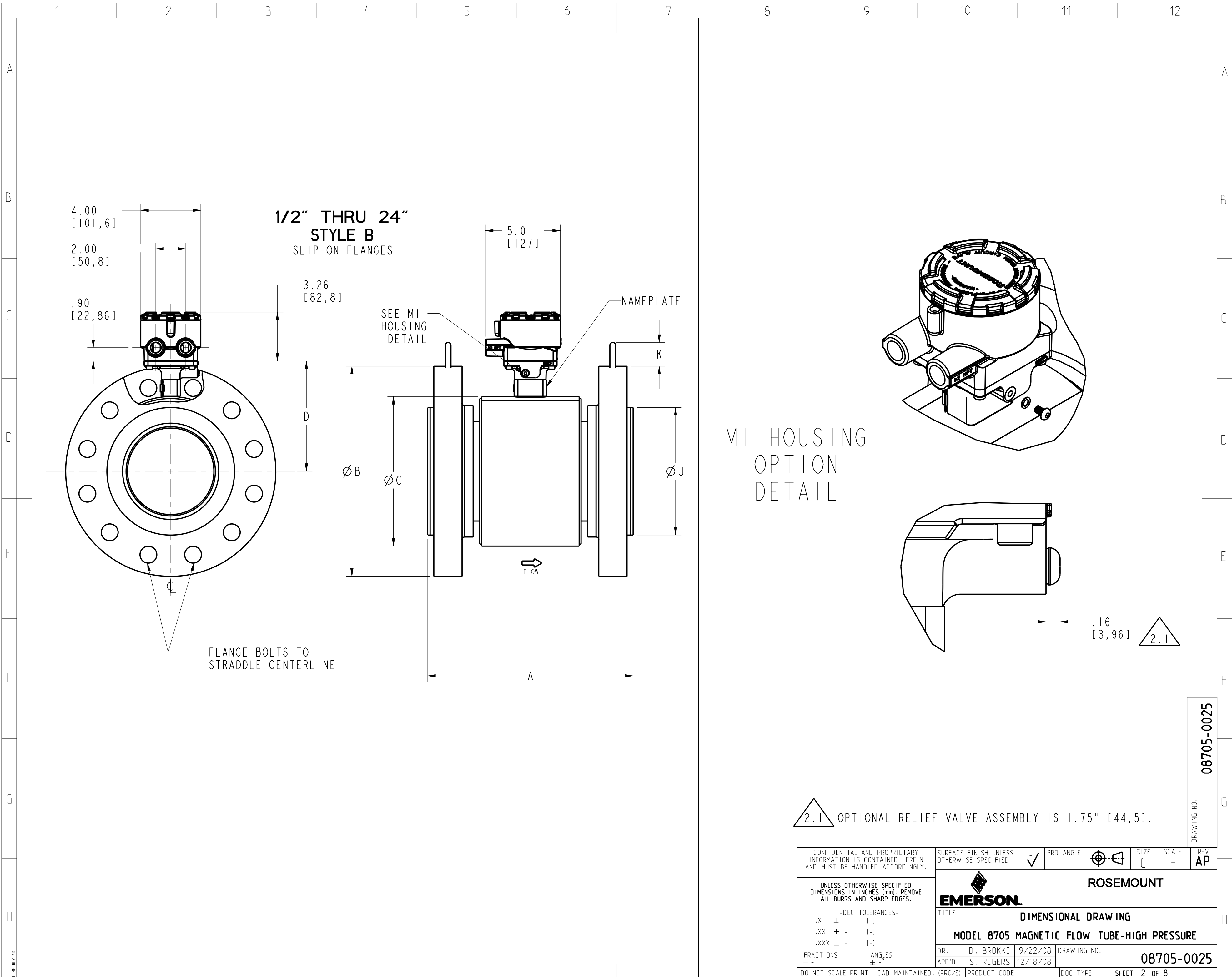
4. ROSEMOUNT CERTIFIES THAT THIS DRAWING IS IN ACCORDANCE WITH ROSEMOUNT ENGINEERING SPECIFICATIONS AND ACCURATELY REPRESENTS THE EQUIPMENT FURNISHED.
3. SEE DRAWING 08705-0024 FOR STANDARD (LOWER) PRESSURE FLANGES.
2. STYLE 'A' REFERS TO ANY FLOWTUBE WITH W0 OR W1 COIL HOUSING (EXAMPLE MODEL CODE: 8705XXXXXXXXW0X)
 STYLE 'B' REFERS TO ANY FLOWTUBE WITH M0, M1, M2 OR M4 COIL HOUSING (EXAMPLE MODEL CODE: 8705XXXXXXXXM0XX)

1. FOR BREVITY, THE MODEL NUMBER LIST ONLY CONTAINS THE CODES FOR CARBON STEEL FLANGES. 304 AND 316 STAINLESS STEEL FLANGES ARE DIMENSIONALLY IDENTICAL TO CARBON STEEL. USE THE TABLE BELOW TO FIND THE CARBON STEEL CODE THAT CORRESPONDS TO EACH STAINLESS STEEL CODE.

STAINLESS STEEL CODES	ARE THE SAME DIMENSIONS AS CARBON STEEL CODE
S,P	C
T,R	D
G,H	F
K,L	J

CONFIDENTIAL AND PROPRIETARY INFORMATION IS CONTAINED HEREIN AND MUST BE HANDLED ACCORDINGLY.		SURFACE FINISH UNLESS OTHERWISE SPECIFIED <input checked="" type="checkbox"/>		3RD ANGLE <input checked="" type="checkbox"/>	SIZE C	SCALE -	REV AP
UNLESS OTHERWISE SPECIFIED DIMENSIONS IN INCHES (mm). REMOVE ALL BURRS AND SHARP EDGES.		EMERSON ROSEMOUNT					
-DEC TOLERANCES-		TITLE DIMENSIONAL DRAWING					
.X ± - [-]		MODEL 8705 MAGNETIC FLOW TUBE-HIGH PRESSURE					
.XX ± - [-]		DR. D. BROKKE 9/22/08		DRAWING NO. 08705-0025			
.XXX ± - [-]		APP'D S. ROGERS 12/18/08					
FRACTIONS ± -	ANGLES ± -	DO NOT SCALE PRINT CAD MAINTAINED. (PRO/E)		PRODUCT CODE	DOC TYPE	SHEET 1 OF 8	

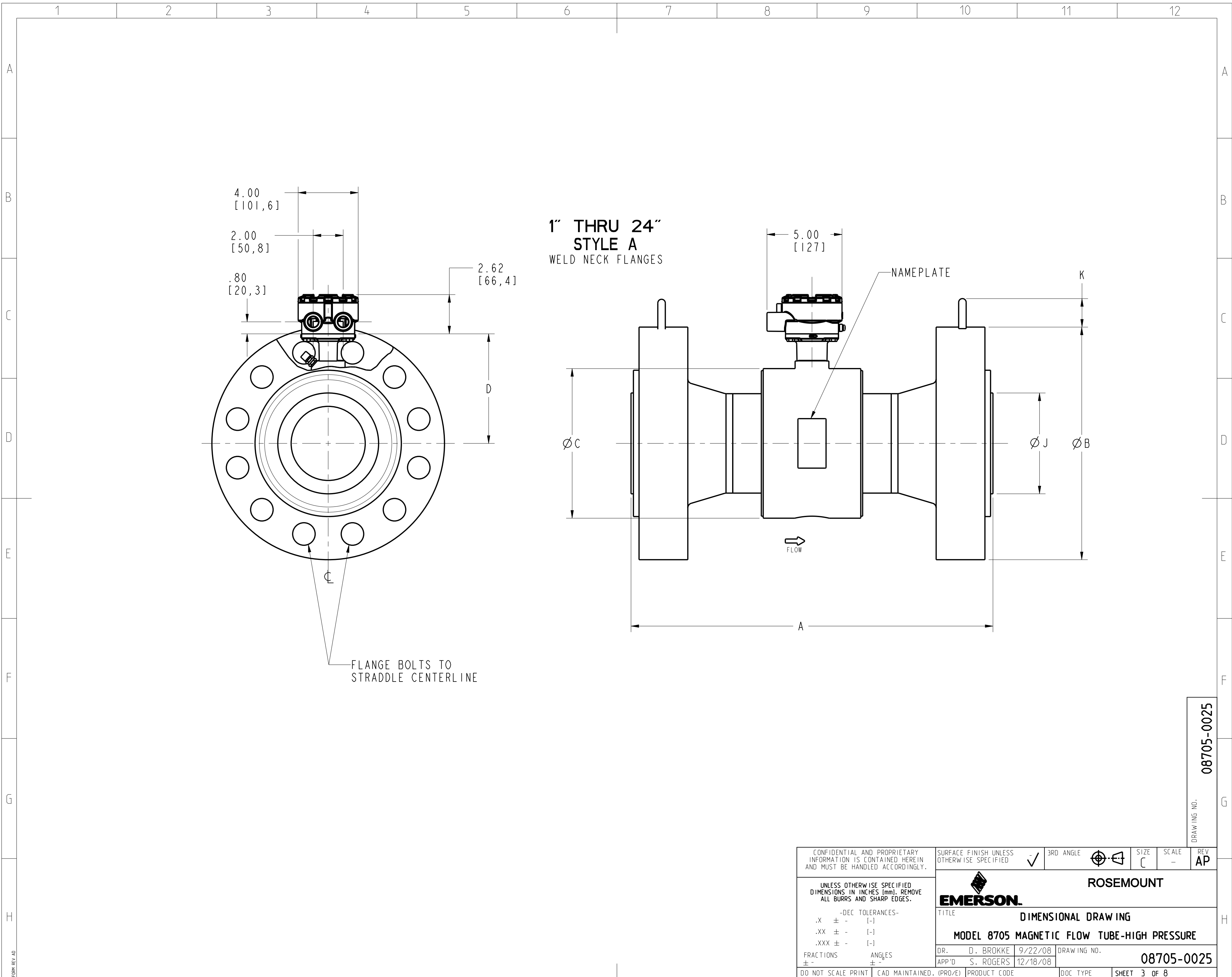
DRAWING NO. 08705-0025



2.1 OPTIONAL RELIEF VALVE ASSEMBLY IS 1.75" [44,5].

CONFIDENTIAL AND PROPRIETARY INFORMATION IS CONTAINED HEREIN AND MUST BE HANDLED ACCORDINGLY. UNLESS OTHERWISE SPECIFIED DIMENSIONS IN INCHES [mm]. REMOVE ALL BURRS AND SHARP EDGES. -DEC TOLERANCES- .X ± - [-] .XX ± - [-] .XXX ± - [-] FRACTIONS ± - ANGLLES ± -	SURFACE FINISH UNLESS OTHERWISE SPECIFIED ✓	3RD ANGLE	SIZE C	SCALE -	REV AP
	EMERSON ROSEMOUNT TITLE DIMENSIONAL DRAWING MODEL 8705 MAGNETIC FLOW TUBE-HIGH PRESSURE				
DO NOT SCALE PRINT	CAD MAINTAINED. (PRO/ε)	PRODUCT CODE	DOC TYPE	SHEET 2 OF 8	DR. D. BROKKE 9/22/08 APP'D S. ROGERS 12/18/08 DRAWING NO. 08705-0025

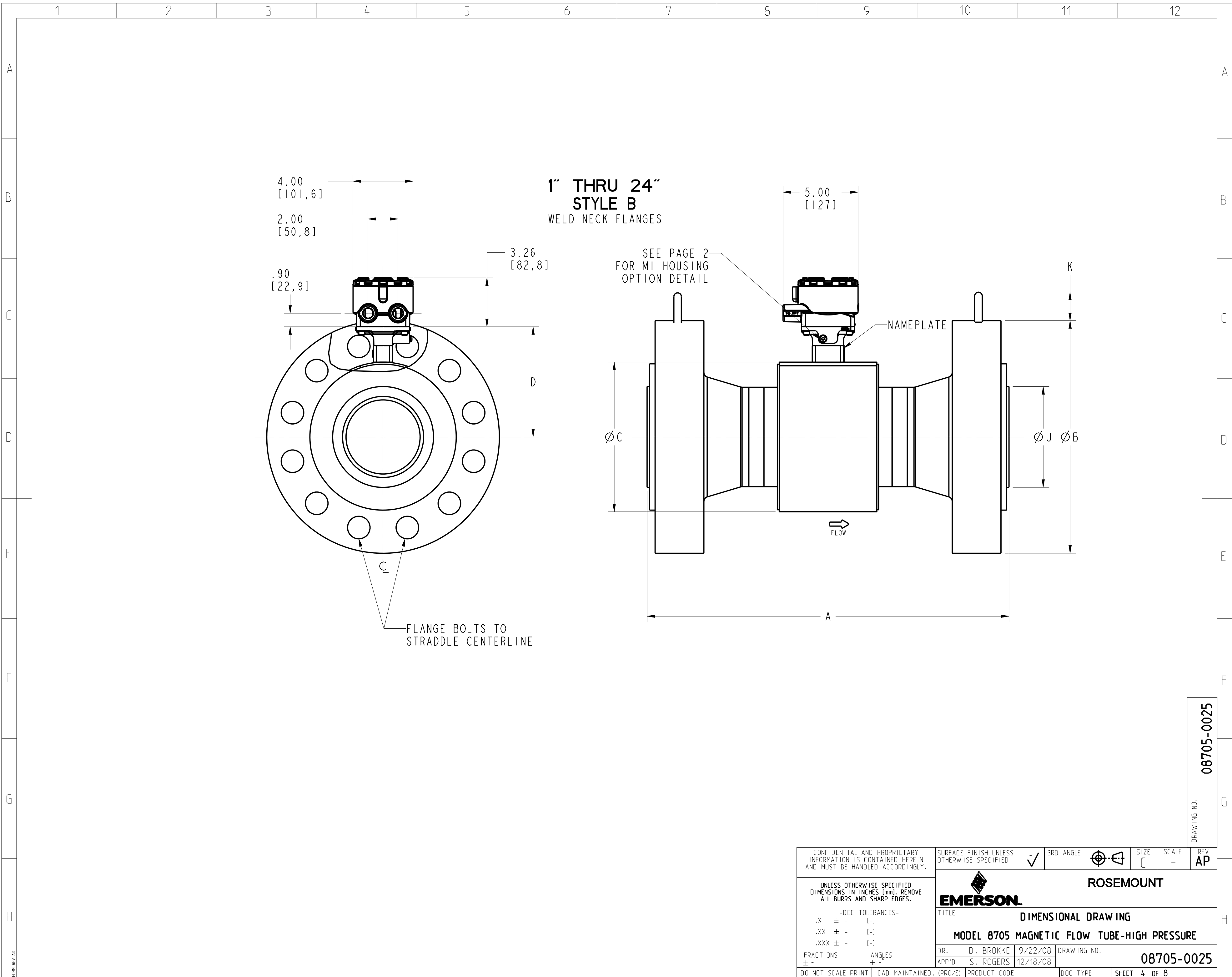
DRAWING NO. 08705-0025



DRAWING NO. 08705-0025

CONFIDENTIAL AND PROPRIETARY INFORMATION IS CONTAINED HEREIN AND MUST BE HANDLED ACCORDINGLY.		SURFACE FINISH UNLESS OTHERWISE SPECIFIED		✓	3RD ANGLE	⊕	SIZE	SCALE	REV
UNLESS OTHERWISE SPECIFIED DIMENSIONS IN INCHES (mm). REMOVE ALL BURRS AND SHARP EDGES.		ROSEMOUNT							
-DEC TOLERANCES-		EMERSON							
.X ± - [-]		TITLE							
.XX ± - [-]		DIMENSIONAL DRAWING							
.XXX ± - [-]		MODEL 8705 MAGNETIC FLOW TUBE-HIGH PRESSURE							
FRACTIONS ± -		DR. D. BROKKE 9/22/08		DRAWING NO.		08705-0025			
ANGLES ± -		APP'D S. ROGERS 12/18/08							
DO NOT SCALE PRINT		CAD MAINTAINED. (PRO/Ε)		PRODUCT CODE		DOC TYPE		SHEET 3 OF 8	

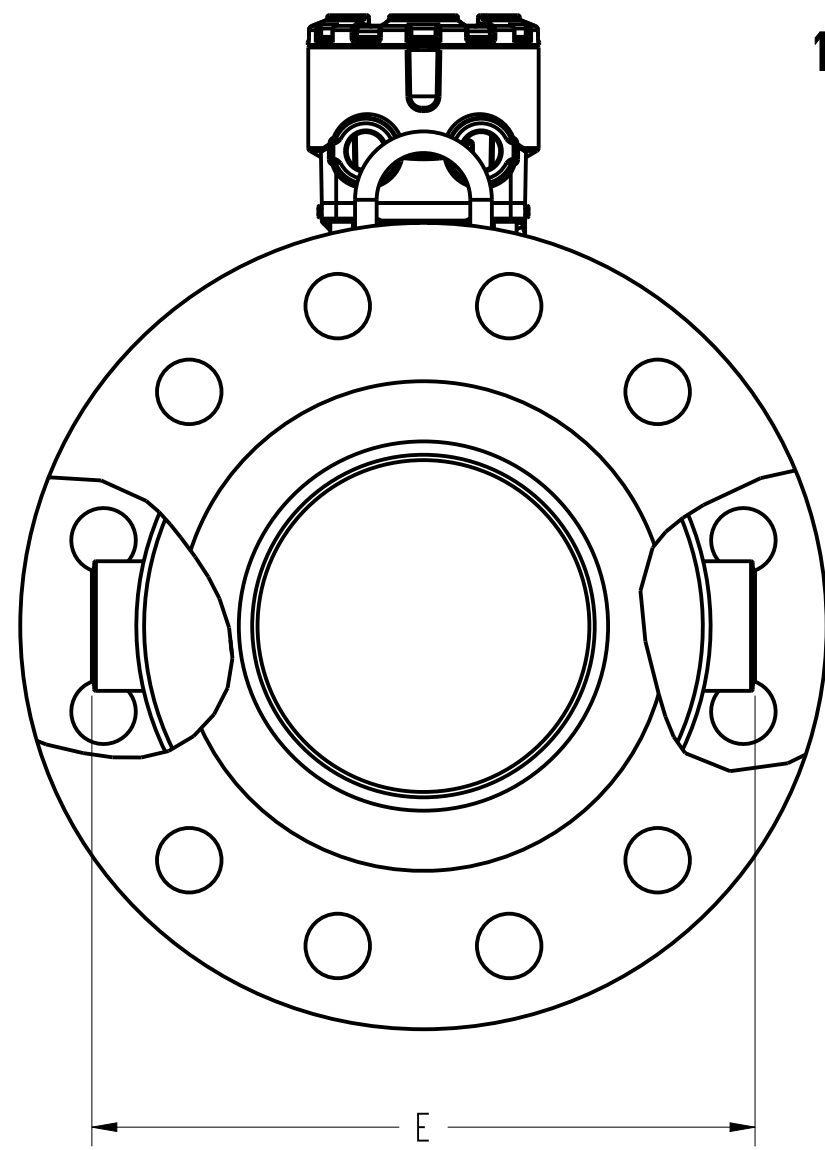
FORM REV AD



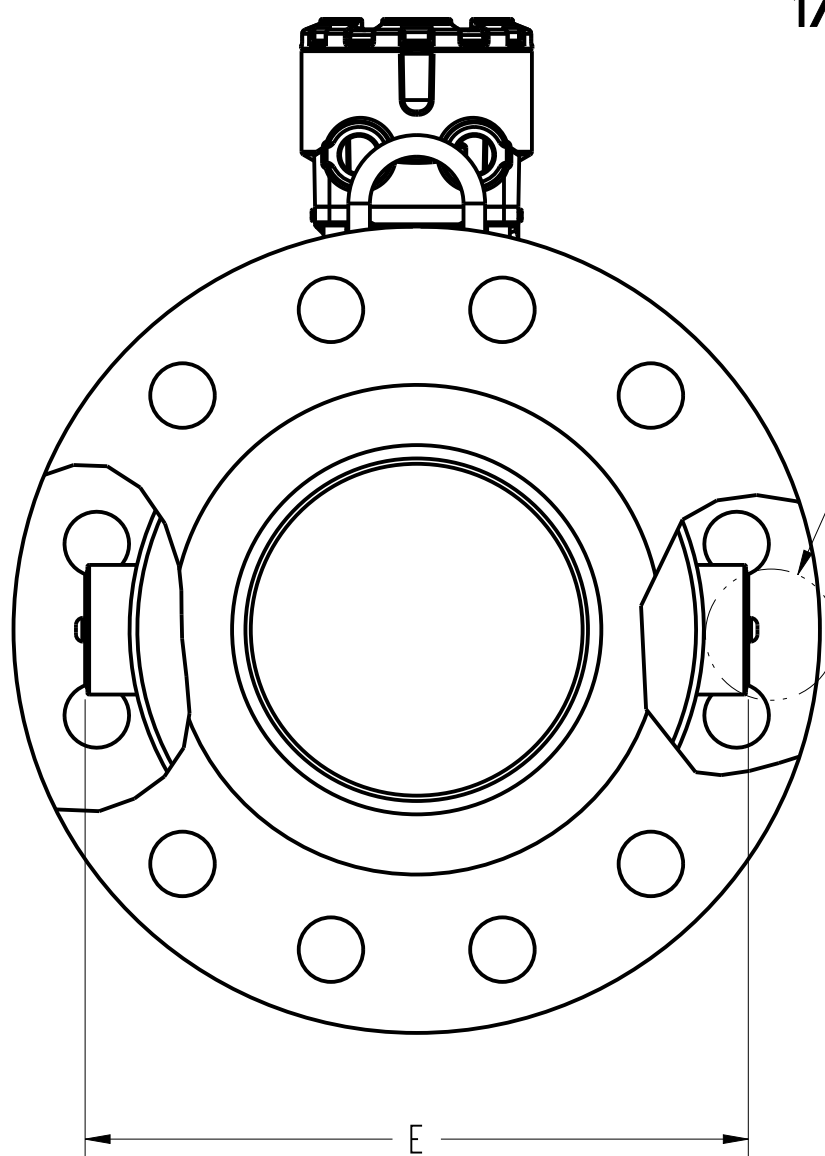
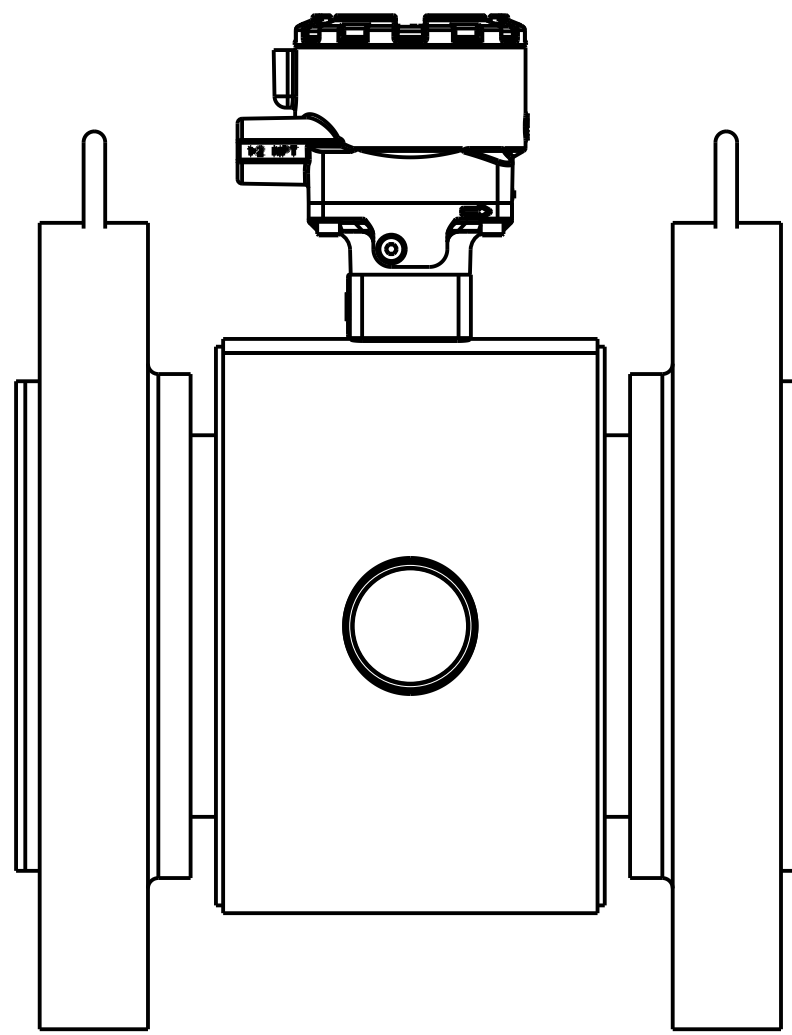
DRAWING NO. 08705-0025

CONFIDENTIAL AND PROPRIETARY INFORMATION IS CONTAINED HEREIN AND MUST BE HANDLED ACCORDINGLY.		SURFACE FINISH UNLESS OTHERWISE SPECIFIED		✓	3RD ANGLE		SIZE	SCALE	REV
UNLESS OTHERWISE SPECIFIED DIMENSIONS IN INCHES (mm). REMOVE ALL BURRS AND SHARP EDGES.		ROSEMOUNT							
-DEC TOLERANCES-		EMERSON							
.X ± - [-]		TITLE							
.XX ± - [-]		DIMENSIONAL DRAWING							
.XXX ± - [-]		MODEL 8705 MAGNETIC FLOW TUBE-HIGH PRESSURE							
FRACTIONS ± -		DR. D. BROKKE		9/22/08		DRAWING NO.			
ANGLES ± -		APP'D S. ROGERS		12/18/08		08705-0025			
DO NOT SCALE PRINT		CAD MAINTAINED. (PRO/Ε)		PRODUCT CODE		DOC TYPE		SHEET 4 OF 8	

FORM REV AD



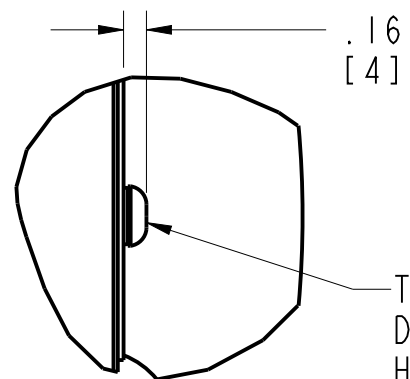
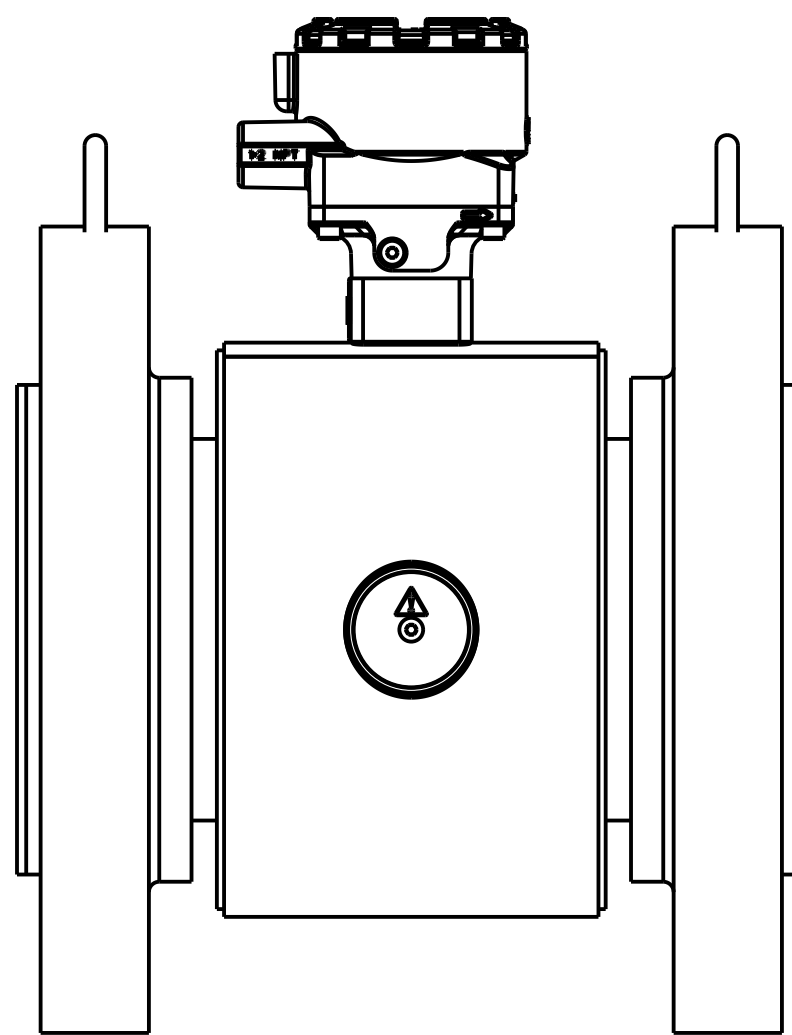
1/2" THRU 36"
STYLE B
WITH M2 OPTION



1/2" THRU 36"
STYLE B
WITH M4 OPTION

5.2

SEE DETAIL A



DETAIL A
2X
M4 OPTION ONLY

TABLE 5 - BODY WIDTH WITH ELECTRODE ACCESS (M2)

SIZE - IN (mm) ALL FLANGES	BODY WIDTH W/ M2 DIM "E" (INCH) 5.1	BOD WIDTH W/ M2 DIM "E" (mm) 5.1
4 (100)	8.65	220
5 (125)	9.71	247
6 (150)	10.62	270
8 (200)	12.62	321
10 (250)	15.53	394
12 (300)	17.53	445
14 (350)	20.68	525
16 (400)	22.68	576
18 (450)	24.68	627
20 (500)	26.68	678
24 (600)	30.68	779
30 (750)	36.68	932
36 (900)	44.18	1122

5.2 WHEN VENTING THE ELECTRODE COMPARTMENT, THE VENT AND RECOVERY PIPING DIAMETER MUST NOT BE SMALLER THAN THE M6 COVER THREADING TO AVOID BUILDING PRESSURE INSIDE THE ELECTRODE COMPARTMENT.

5.1 WHEN M4 OPTION IS SELECTED ADD .320 (8mm) TO M2 DIM "E" (BODY WIDTH DIMENSION)

DRAWING NO. 08705-0025

CONFIDENTIAL AND PROPRIETARY INFORMATION IS CONTAINED HEREIN AND MUST BE HANDLED ACCORDINGLY. UNLESS OTHERWISE SPECIFIED DIMENSIONS IN INCHES (mm). REMOVE ALL BURRS AND SHARP EDGES. -DEC TOLERANCES- .X ± - [-] .XX ± - [-] .XXX ± - [-] FRACTIONS ± - ANGLES ± -	SURFACE FINISH UNLESS OTHERWISE SPECIFIED <input checked="" type="checkbox"/>	3RD ANGLE <input checked="" type="checkbox"/>	SIZE C	SCALE -	REV AP
	EMERSON ROSEMOUNT TITLE DIMENSIONAL DRAWING MODEL 8705 MAGNETIC FLOW TUBE-HIGH PRESSURE				
DR. D. BROKKE 9/22/08 APP'D S. ROGERS 12/18/08	DRAWING NO. 08705-0025				
DO NOT SCALE PRINT	CAD MAINTAINED. (PRO/E)	PRODUCT CODE	DOC TYPE	SHEET 5 OF 8	

TABLE 1: 0.5" - 24" WITH SLIP-ON FLANGES -- INCH

SIZE, DESCRIPTION	MODEL NUMBER	OVERALL LENGTH					FLANGE Ø DIM "B"	BODY Ø DIM "C"	DIM "D" CL to TA		LINER Ø ON FACE DIM "J"	LIFT RING HEIGHT DIM "K"	FLOW TUBE WEIGHT (lbs.)
		DIM "A" PTFE	DIM "A" ETFE	DIM "A" LINATEX	DIM "A" POLY	DIM "A" NEOPRENE			STYLE A	STYLE B			
0.5 (15) ASME - 600 DERAT., SO / RF	8705 - - - 005C6	8.38	8.38	8.48	8.38	8.38	3.75	4.50	4.41	4.61	1.38	10	
0.5 (15) ASME - 600 FULL, SO / RF	8705 - - - 005C7	8.38	8.38	8.25	8.25	8.25	3.75	4.50	4.41	4.61	1.38	10	
1 (25) ASME - 900 , SO / RTJ	8705 - - - 010_9			9.53	9.53	9.53	5.88	4.50	4.41	4.61	1.51	1.70	24
1 (25) ASME - 600 FULL, SO / RF	8705 - - - 010C7			8.53	8.53	8.53	4.88	4.50	4.41	4.61	1.63		14
1 (25) ASME - 900 , SO / RF	8705 - - - 010C9			9.49	9.49	9.49	5.88	4.50	4.41	4.61	1.63	1.70	23
1 (25) EN 1092 - PN100, SO / RF	8705 - - - 010CX_F0401			8.42	8.42		5.51	4.50	4.41	4.61	1.51		13
1.5 (40) ASME - 600 FULL, SO / RF	8705 - - - 015C7			8.42	8.42	8.42	6.12	5.21	4.82	4.97	2.50		23
1.5 (40) ASME - 900 , SO / RF	8705 - - - 015C9			9.49	9.49	9.49	7.00	5.21	4.82	4.97	2.50	1.70	34
1.5 (40) EN 1092 - PN100, SO / RF	8705 - - - 015CX_F0401			8.47	8.47		6.69	5.21	4.82	4.97	2.38		19
2 (50) ASME - 600 FULL, SO / RF	8705 - - - 020C7			8.57	8.57	8.57	6.50	5.21	4.82	4.97	3.25		26
2 (50) ASME - 900 , SO / RF	8705 - - - 020C9			10.23	10.23	10.23	8.50	5.21	4.82	4.97	3.25	1.70	56
2 (50) EN 1092 - PN100, SO / RF	8705 - - - 020CX_F0401			8.55	8.55		7.68	5.21	4.82	4.97	3.13		23
2.5 (65) ASME - 600 FULL, SO / RF	8705 - - - 025C7					8.61	7.50	6.31	5.37	5.52	3.75		40
2.5 (65) ASME - 900 , SO / RF	8705 - - - 025C9					10.23	9.62	6.31	5.37	5.52	3.75	1.70	81
2.5 (65) EN 1092 - PN100, SO / RF	8705 - - - 025CX_F0401			8.62	8.62		8.66	6.31	5.37	5.52	3.63		30
3 (65) ASME - 600 FULL, SO / RTJ	8705 - - - 030_7			12.19	12.19	12.19	8.25	7.21	5.82	5.97	4.00		52
3 (65) ASME - 900 , SO / RTJ	8705 - - - 030_9			12.82	12.82	12.82	9.50	7.21	5.82	5.97	3.94		74
3 (80) ASME - 600 FULL, SO / RF	8705 - - - 030C7			12.16	12.16	12.16	8.25	7.21	5.82	5.97	4.63	1.70	51
3 (80) ASME - 900 , SO / RF	8705 - - - 030C9			12.79	12.79	12.79	9.50	7.21	5.82	5.97	4.63	1.70	72
3 (80) EN 1092 - PN100, SO / RF	8705 - - - 030CX_F0401			12.10	12.10		9.06	7.21	5.82	5.97	4.51	1.70	41
4 (80) ASME - 600 FULL, SO / RTJ	8705 - - - 040_7			12.60	12.60	12.60	10.75	7.91	6.17	6.32	4.94	1.70	91
4 (80) ASME - 900 , SO / RTJ	8705 - - - 040_9			13.89	13.89	13.89	11.50	7.91	6.17	6.32	4.94	2.00	121
4 (100) ASME - 600 FULL, SO / RF	8705 - - - 040C7			12.56	12.56	12.56	10.75	7.91	6.17	6.32	5.81	1.70	90
4 (100) ASME - 900 , SO / RF	8705 - - - 040C9			13.86	13.86	13.86	11.50	7.91	6.17	6.32	5.81	2.00	120
4 (100) EN 1092 - PN100, SO / RF	8705 - - - 040CX_F0401			12.46	12.46		10.43	7.91	6.17	6.32	5.69	1.70	53
5 (125) ASME - 600 FULL, SO / RF	8705 - - - 050C7					12.81	13.00	9.61	7.02	7.17	6.91	1.70	153
5 (125) ASME - 900 , SO / RF	8705 - - - 050C9					13.86	13.75	9.61	7.02	7.17	6.91	1.70	197
5 (125) EN 1092 - PN100, SO / RF	8705 - - - 050CX_F0401			12.61	12.61		12.40	9.61	7.02	7.17	6.79	1.70	111
6 (125) ASME - 600 FULL, SO / RTJ	8705 - - - 060_7			15.57	15.57	15.57	14.00	9.98	7.30	7.35	7.12	1.70	190
6 (250) ASME - 900 , SO / RTJ	8705 - - - 060_9			17.58	17.58	17.58	15.00	9.98	7.30	7.35	7.12	2.00	250
6 (150) ASME - 600 FULL, SO / RF	8705 - - - 060C7			13.92	13.92	13.92	14.00	9.98	7.30	7.35	8.00	1.70	184
6 (150) ASME - 900 , SO / RF	8705 - - - 060C9			17.55	17.55	17.55	15.00	9.98	7.30	7.35	8.00	2.00	249
6 (150) EN 1092 - PN100, SO / RF	8705 - - - 060CX_F0401			13.97	13.97		13.98	9.98	7.30	7.35	7.88	1.70	161
8 (150) ASME - 600 FULL, SO / RTJ	8705 - - - 080_7			17.58	17.58	17.58	16.50	11.92	8.27	8.32	9.37	1.70	293
8 (150) ASME - 900 , SO / RTJ	8705 - - - 080_9			20.61	20.61	20.61	18.50	11.92	8.27	8.32	9.13	3.13	441
8 (200) ASME - 600 FULL, SO / RF	8705 - - - 080C7			16.44	16.44	16.44	16.50	11.92	8.27	8.32	10.00	1.70	285
8 (200) ASME - 900 , SO / RF	8705 - - - 080C9			20.58	20.58	20.58	18.50	11.92	8.27	8.32	10.00	3.13	437
10 (200) ASME - 600 FULL, SO / RTJ	8705 - - - 100_7			19.08	19.08	19.08	20.00	14.64	9.69	9.68	11.50	2.00	473
10 (200) ASME - 900 , SO / RTJ	8705 - - - 100_9			21.57	21.57	21.57	21.50	14.64	9.69	9.68	11.25	3.13	648
10 (250) ASME - 600 FULL, SO / RF	8705 - - - 100C7			19.05	19.05	19.05	20.00	14.64	9.69	9.68	12.00	2.00	467
10 (250) ASME - 900 , SO / RF	8705 - - - 100C9			21.54	21.54	21.54	21.50	14.64	9.69	9.68	12.00	3.13	641
12 (250) ASME - 600 FULL, SO / RTJ	8705 - - - 120_7			21.78	21.78	21.78	22.00	16.80	10.77	10.76	13.75	2.00	624
12 (250) ASME - 900 , SO / RTJ	8705 - - - 120_9			25.18	25.18	25.18	24.00	16.80	10.77	10.76	13.50	3.13	902
12 (300) ASME - 600 FULL, SO / RF	8705 - - - 120C7			21.75	21.75	21.75	22.00	16.80	10.77	10.76	14.00	2.00	607
12 (300) ASME - 900 , SO / RF	8705 - - - 120C9			25.15	25.15	25.15	24.00	16.80	10.77	10.76	14.00	3.13	893
14 (300) ASME - 600 FULL, SO / RTJ	8705 - - - 140_7			25.44	25.44	25.44	23.75	18.92	11.83	11.82	15.00	2.00	766
14 (350) ASME - 600 FULL, SO / RF	8705 - - - 140C7			25.41	25.41	25.41	23.75	18.92	11.83	11.82	15.25	2.00	756
14 (350) ASME - 900 , SO / RF	8705 - - - 140C9			33.89	33.85		25.25	18.92	11.83	11.82	15.13	2.00	1164
16 (350) ASME - 600 FULL, SO / RTJ	8705 - - - 160_7			28.94	28.94	28.94	27.00	20.94	12.84	12.83	17.00	3.13	1090
16 (400) ASME - 600 FULL, SO / RF	8705 - - - 160C7			28.91	28.91	28.91	27.00	20.94	12.84	12.83	17.50	3.13	1080
16 (400) ASME - 900 , SO / RF	8705 - - - 160C9			36.89	36.85		27.75	20.94	12.84	12.83	17.38	3.13	1436
18 (400) ASME - 600 FULL, SO / RTJ	8705 - - - 180_7			32.42	32.42	32.42	29.25	23.46	14.10	14.09	19.38	3.13	1391
18 (450) ASME - 600 FULL, SO / RF	8705 - - - 180C7			32.39	32.39	32.39	29.25	23.46	14.10	14.09	20.00	3.13	1378
18 (450) ASME - 900 , SO / RF	8705 - - - 180C9			38.89	38.85		31.00	23.46	14.10	14.09	19.88	3.13	1877
20 (450) ASME - 600 FULL, SO / RTJ	8705 - - - 200_7			36.55	36.55	36.55	32.00	25.48	15.11	15.10	21.00	3.13	1813
20 (500) ASME - 600 FULL, SO / RF	8705 - - - 200C7			36.52	36.52	36.52	32.00	25.48	15.11	15.10	22.00	3.13	1790
20 (500) ASME - 900 , SO / RF	8705 - - - 200C9			41.89	41.85		33.75	25.48	15.11	15.10	21.88	3.13	2286
24 (500) ASME - 600 FULL, SO / RTJ	8705 - - - 240_7			41.05	41.05	41.05	37.00	30.03	17.39	17.38	25.00	3.13	2687
24 (600) ASME - 600 FULL, SO / RF	8705 - - - 240C7			41.02	41.02	41.02	37.00	30.03	17.39	17.38	26.00	3.13	2648

TABLE 1: 0.5" - 24" WITH SLIP-ON FLANGES --MILLIMETER

SIZE, DESCRIPTION	MODEL NUMBER	OVERALL LENGTH					FLANGE Ø DIM "B"	BODY Ø DIM "C"	DIM "D" CL to TA		LINER Ø ON FACE DIM "J"	LIFT RING HEIGHT DIM "K"	FLOW TUBE WEIGHT (kgs.)	
		DIM "A" PTFE	DIM "A" ETFE	DIM "A" LINATEX	DIM "A" POLY	DIM "A" NEOPRENE			STYLE A	STYLE B				
0.5 (15) ASME - 600 DERAT., SO / RF	8705 - - - 005C6	213	213	215	213	213	95	114	112	117	35	5		
0.5 (15) ASME - 600 FULL, SO / RF	8705 - - - 005C7	213	213	209	209	209	95	114	112	117	35	5		
1 (25) ASME - 900 , SO / RTJ	8705 - - - 010_9			242	242	242	149	114	112	117	38	43	11	
1 (25) ASME - 600 FULL, SO / RF	8705 - - - 010C7			217	217	217	124	114	112	117	41	7		
1 (25) ASME - 900 , SO / RF	8705 - - - 010C9			241	241	241	149	114	112	117	41	43	11	
1 (25) EN 1092 - PN100, SO / RF	8705 - - - 010CX_F0401			214	214		140	114	112	117	38	6		
1.5 (40) ASME - 600 FULL, SO / RF	8705 - - - 015C7			214	214	214	155	132	122	126	64	10		
1.5 (40) ASME - 900 , SO / RF	8705 - - - 015C9			241	241	241	178	132	122	126	64	43	15	
1.5 (40) EN 1092 - PN100, SO / RF	8705 - - - 015CX_F0401			215	215		170	132	122	126	60	9		
2 (50) ASME - 600 FULL, SO / RF	8705 - - - 020C7			218	218	218	165	132	122	126	83	12		
2 (50) ASME - 900 , SO / RF	8705 - - - 020C9			260	260	260	216	132	122	126	83	43	25	
2 (50) EN 1092 - PN100, SO / RF	8705 - - - 020CX_F0401			217	217		195	132	122	126	80	10		
2.5 (65) ASME - 600 FULL, SO / RF	8705 - - - 025C7						191	160	136	140	95	18		
2.5 (65) ASME - 900 , SO / RF	8705 - - - 025C9						260	244	160	136	140	95	43	37
2.5 (65) EN 1092 - PN100, SO / RF	8705 - - - 025CX_F0401			219	219		220	160	136	140	92	14		
3 (65) ASME - 600 FULL, SO / RTJ	8705 - - - 030_7			310	310	310	210	183	148	152	102	24		
3 (65) ASME - 900 , SO / RTJ	8705 - - - 030_9			326	326	326	241	183	148	152	100	33		
3 (80) ASME - 600 FULL, SO / RF	8705 - - - 030C7			309	309	309	210	183	148	152	118	43	23	
3 (80) ASME - 900 , SO / RF	8705 - - - 030C9			325	325	325	241	183	148	152	118	43	33	
3 (80) EN 1092 - PN100, SO / RF	8705 - - - 030CX_F0401			307	307		230	183	148	152	114	43	18	
4 (80) ASME - 600 FULL, SO / RTJ	8705 - - - 040_7			320	320	320	273	201	157	160	125	43	41	
4 (80) ASME - 900 , SO / RTJ	8705 - - - 040_9			353	353	353	292	201	157	160	125	51	55	
4 (100) ASME - 600 FULL, SO / RF	8705 - - - 040C7			319	319	319	273	201	157	160	148	43	41	
4 (100) ASME - 900 , SO / RF	8705 - - - 040C9			352	352	352	292	201	157	160	148	5		

A
B
C
D
E
F
G
H

A
B
C
D
E
F
G
H

TABLE 2: 1" - 5" WELD NECK FLANGES -- INCH


SIZE, DESCRIPTION	MODEL NUMBER △	DIM "A" CL to TA			FLANGE Ø DIM "B"	BODY Ø DIM "C"	DIM "D" CL to TA		LIFTER Ø ON FACE DIM "J"	LIFT RING HEIGHT DIM "K"	FLOW TUBE WEIGHT (lbs.)
		LINATEX	POLY	NEOPRENE			STYLE A	STYLE B			
1 (25) ASME - 600 FULL, WN / RF	8705 - - - 010D7	11.54	11.54	11.54	4.88	4.50	4.41	4.61	2.00	1.70	25
1 (25) ASME - 900 , WN / RF	8705 - - - 010D9	12.51	12.51	12.51	5.88	4.50	4.41	4.61	2.00	1.70	25
1 (25) ASME -1500 , WN / RF	8705 - - - 010DM	12.87	12.87	12.87	5.88	4.50	4.41	4.61	1.63	1.70	25
1 (25) ASME -2500 , WN / RF	8705 - - - 010DN	14.29	14.29	14.29	6.25	4.50	4.41	4.61	1.63	1.70	34
1 (25) ASME - 600 FULL, WN / RTJ	8705 - - - 010J7	11.57	11.57	11.57	4.88	4.50	4.41	4.61	1.31	1.70	17
1 (25) ASME - 900 , WN / RTJ	8705 - - - 010J9	12.54	12.54	12.54	5.88	4.50	4.41	4.61	1.31	1.70	25
1 (25) ASME -1500 , WN / RTJ	8705 - - - 010JM	12.90	12.90	12.90	5.88	4.50	4.41	4.61	1.26	1.70	25
1 (25) EN 1092 - PN100, WN / RF	8705 - - - 010DX_F0401	11.25	11.25	11.39	5.51	4.50	4.41	4.61	1.51	1.70	20
1 (25) EN 1092 - PN160, WN / RF	8705 - - - 010DX_F0402	11.16	11.16	11.30	5.51	4.50	4.41	4.61	1.51	1.70	25
1 (25) EN 1092 - PN250, WN / RF	8705 - - - 010DX_F0403	12.07	12.07	12.07	5.91	4.50	4.41	4.61	1.51	1.70	31
1.5 (40) ASME - 600 FULL, WN / RF	8705 - - - 015D7	11.56	11.56	11.56	6.12	5.21	4.82	4.97	2.50	1.70	26
1.5 (40) ASME - 900 , WN / RF	8705 - - - 015D9	12.65	12.65	12.65	7.00	5.21	4.82	4.97	2.50	1.70	37
1.5 (40) ASME -1500 , WN / RF	8705 - - - 015DM	13.09	13.09	13.09	7.00	5.21	4.82	4.97	2.50	1.70	38
1.5 (40) ASME -2500 , WN / RF	8705 - - - 015DN	15.51	15.51	15.51	8.00	5.21	4.82	4.97	2.38	1.70	66
1.5 (40) ASME - 600 FULL, WN / RTJ	8705 - - - 015J7	11.59	11.59	11.59	6.12	5.21	4.82	4.97	2.00	1.70	26
1.5 (40) ASME - 900 , WN / RTJ	8705 - - - 015J9	12.68	12.68	12.68	7.00	5.21	4.82	4.97	2.00	1.70	37
1.5 (40) ASME -1500 , WN / RTJ	8705 - - - 015JM	13.12	13.12	13.12	7.00	5.21	4.82	4.97	1.92	1.70	39
1.5 (40) ASME -2500 , WN / RTJ	8705 - - - 015JN	15.66	15.66	15.66	8.00	5.21	4.82	4.97	1.84	1.70	67
1.5 (40) EN 1092 - PN160, WN / RF	8705 - - - 015DX_F0402	11.38	11.38	11.38	6.69	5.21	4.82	4.97	2.38	1.70	39
1.5 (40) EN 1092 - PN250, WN / RF	8705 - - - 015DX_F0403	12.64	12.64	12.64	7.28	5.21	4.82	4.97	2.38	1.70	52
2 (50) ASME - 600 FULL, WN / RF	8705 - - - 020D7	11.83	11.83	11.83	6.50	5.21	4.82	4.97	3.25	1.70	31
2 (50) ASME - 900 , WN / RF	8705 - - - 020D9	14.26	14.26	14.26	8.50	5.21	4.82	4.97	3.25	1.70	65
2 (50) ASME -1500 , WN / RF	8705 - - - 020DM	14.82	14.82	14.82	8.50	5.21	4.82	4.97	3.25	1.70	68
2 (50) ASME -2500 , WN / RF	8705 - - - 020DN	16.86	16.86	16.86	9.25	5.21	4.82	4.97	3.12	1.70	95
2 (50) ASME - 600 FULL, WN / RTJ	8705 - - - 020J7	11.99	11.99	11.99	6.50	5.21	4.82	4.97	2.31	1.70	32
2 (50) ASME - 900 , WN / RTJ	8705 - - - 020J9	14.42	14.42	14.42	8.50	5.21	4.82	4.97	2.62	1.70	66
2 (50) ASME -1500 , WN / RTJ	8705 - - - 020JM	14.92	14.92	14.92	8.50	5.21	4.82	4.97	2.34	1.70	70
2 (50) ASME -2500 , WN / RTJ	8705 - - - 020JN	17.01	17.01	17.01	9.25	5.21	4.82	4.97	2.59	1.70	97
2 (50) EN 1092 - PN100, WN / RF	8705 - - - 020DX_F0401	11.27	11.27	11.27	7.68	5.21	4.82	4.97	3.13	1.70	39
2 (50) EN 1092 - PN160, WN / RF	8705 - - - 020DX_F0402	11.91	11.91	11.91	7.68	5.21	4.82	4.97	3.13	1.70	54
2 (50) EN 1092 - PN250, WN / RF	8705 - - - 020DX_F0403	13.26	13.26	13.26	7.87	5.21	4.82	4.97	3.13	1.70	66
2.5 (60) ASME -1500 , WN / RF	8705 - - - 025DM	16.80	16.80	16.80	9.62	6.31	5.37	5.52	3.70	1.70	90
2.5 (60) ASME -2500 , WN / RF	8705 - - - 025DN	19.70	19.70	19.70	10.50	6.31	5.37	5.52	3.50	1.70	134
2.5 (60) ASME -1500 , WN / RTJ	8705 - - - 025JM	16.91	16.91	16.91	9.62	6.31	5.37	5.52	3.10	1.70	86
2.5 (60) ASME -2500 , WN / RTJ	8705 - - - 025JN	19.94	19.94	19.94	10.50	6.31	5.37	5.52	2.80	1.70	130
3 (80) ASME - 600 FULL, WN / RF	8705 - - - 030D7	12.78	12.78	12.78	8.25	7.21	5.82	5.97	4.63	1.70	57
3 (80) ASME - 900 , WN / RF	8705 - - - 030D9	14.38	14.38	14.38	9.50	7.21	5.82	5.97	4.63	1.70	83
3 (80) ASME -1500 , WN / RF	8705 - - - 030DM	16.27	16.27	16.27	10.50	7.21	5.82	5.97	4.33	1.70	123
3 (80) ASME -2500 , WN / RF	8705 - - - 030DN	20.42	20.42	20.42	12.00	7.21	5.82	5.97	4.15	1.70	209
3 (80) ASME - 600 FULL, WN / RTJ	8705 - - - 030J7	12.94	12.94	12.94	8.25	7.21	5.82	5.97	4.00	1.70	59
3 (80) ASME - 900 , WN / RTJ	8705 - - - 030J9	14.54	14.54	14.54	9.50	7.21	5.82	5.97	3.94	1.70	85
3 (80) ASME -1500 , WN / RTJ	8705 - - - 030JM	16.42	16.42	16.42	10.50	7.21	5.82	5.97	3.97	1.70	126
3 (80) ASME -2500 , WN / RTJ	8705 - - - 030JN	20.70	20.70	20.70	12.00	7.21	5.82	5.97	3.41	1.70	213
3 (80) EN 1092 - PN100, WN / RF	8705 - - - 030DX_F0401	12.21	12.21	12.21	9.06	7.21	5.82	5.97	4.51	1.70	61
3 (80) EN 1092 - PN160, WN / RF	8705 - - - 030DX_F0402	13.65	13.65	13.65	9.06	7.21	5.82	5.97	4.51	1.70	94
3 (80) EN 1092 - PN250, WN / RF	8705 - - - 030DX_F0403	14.91	14.91	14.91	10.04	7.21	5.82	5.97	4.51	1.70	126
4 (100) ASME - 600 FULL, WN / RF	8705 - - - 040D7	15.57	15.57	15.57	10.75	7.91	6.17	6.32	5.81	1.70	106
4 (100) ASME - 900 , WN / RF	8705 - - - 040D9	16.81	16.81	16.81	11.50	7.91	6.17	6.32	5.81	2.00	137
4 (100) ASME -1500 , WN / RF	8705 - - - 040DM	18.18	18.18	18.18	12.25	7.91	6.17	6.32	5.71	2.00	185
4 (100) ASME -2500 , WN / RF	8705 - - - 040DN	23.71	23.71	23.71	14.00	7.91	6.17	6.32	5.54	2.00	328
4 (100) ASME - 600 FULL, WN / RTJ	8705 - - - 040J7	15.73	15.73	15.73	10.75	7.91	6.17	6.32	4.94	1.70	107
4 (100) ASME - 900 , WN / RTJ	8705 - - - 040J9	16.97	16.97	16.97	11.50	7.91	6.17	6.32	4.94	2.00	140
4 (100) ASME -1500 , WN / RTJ	8705 - - - 040JM	18.33	18.33	18.33	12.25	7.91	6.17	6.32	5.54	2.00	188
4 (100) ASME -2500 , WN / RTJ	8705 - - - 040JN	24.12	24.12	24.12	14.00	7.91	6.17	6.32	4.38	2.00	336
4 (100) EN 1092 - PN100, WN / RF	8705 - - - 040DX_F0401	14.43	14.43	14.43	10.43	7.91	6.17	6.32	5.69	1.70	91
4 (100) EN 1092 - PN160, WN / RF	8705 - - - 040DX_F0402	15.49	15.49	15.49	10.43	7.91	6.17	6.32	5.69	2.00	122
4 (100) EN 1092 - PN250, WN / RF	8705 - - - 040DX_F0403	17.61	17.61	17.61	11.81	7.91	6.17	6.32	5.69	2.00	190
5 (120) ASME -1500 , WN / RF	8705 - - - 050DM	22.79	22.79	22.79	14.75	9.61	7.02	7.17	6.35	2.00	326
5 (120) ASME -2500 , WN / RF	8705 - - - 050DN	28.45	28.45	28.45	16.50	9.61	7.02	7.17	6.40	2.00	503
5 (120) ASME -1500 , WN / RTJ	8705 - - - 050JM	22.94	22.94	22.94	14.75	9.61	7.02	7.17	6.20	2.00	320
5 (120) ASME -2500 , WN / RTJ	8705 - - - 050JN	28.98	28.98	28.98	16.50	9.61	7.02	7.17	5.30	2.00	498

TABLE 2: 1" - 5" WITH WELD NECK FLANGES --MILLIMETER

SIZE, DESCRIPTION	MODEL NUMBER △	DIM "A" CL to TA			FLANGE Ø DIM "B"	BODY Ø DIM "C"	DIM "D" CL to TA		LIFTER Ø ON FACE DIM "J"	LIFT RING HEIGHT DIM "K"	FLOW TUBE WEIGHT (kgs.)
		LINATEX	POLY	NEOPRENE			STYLE A	STYLE B			
1 (25) ASME - 600 FULL, WN / RF	8705 - - - 010D7	293	293	293	124	114	112	117	51	7	
1 (25) ASME - 900 , WN / RF	8705 - - - 010D9	318	318	318	149	114	112	117	51	43	11
1 (25) ASME -1500 , WN / RF	8705 - - - 010DM	327	327	327	149	114	112	117	41	43	11
1 (25) ASME -2500 , WN / RF	8705 - - - 010DN	363	363	363	159	114	112	117	41	43	15
1 (25) ASME - 600 FULL, WN / RTJ	8705 - - - 010J7	294	294	294	124	114	112	117	33	8	
1 (25) ASME - 900 , WN / RTJ	8705 - - - 010J9	319	319	319	149	114	112	117	33	43	12
1 (25) ASME -1500 , WN / RTJ	8705 - - - 010JM	328	328	328	149	114	112	117	32	43	12
1 (25) EN 1092 - PN100, WN / RF	8705 - - - 010DX_F0401	286	286	289	140	114	112	117	38	9	
1 (25) EN 1092 - PN160, WN / RF	8705 - - - 010DX_F0402	284	284	287	140	114	112	117	38	43	11
1 (25) EN 1092 - PN250, WN / RF	8705 - - - 010DX_F0403	307	307	307	150	114	112	117	38	43	14
1.5 (40) ASME - 600 FULL, WN / RF	8705 - - - 015D7	294	294	294	155	132	122	126	64	12	
1.5 (40) ASME - 900 , WN / RF	8705 - - - 015D9	321	321	321	178	132	122	126	64	43	17
1.5 (40) ASME -1500 , WN / RF	8705 - - - 015DM	332	332	332	178	132	122	126	64	43	17
1.5 (40) ASME -2500 , WN / RF	8705 - - - 015DN	394	394	394	203	132	122	126	60	43	30
1.5 (40) ASME - 600 FULL, WN / RTJ	8705 - - - 015J7	294	294	294	155	132	122	126	51	12	
1.5 (40) ASME - 900 , WN / RTJ	8705 - - - 015J9	322	322	322	178	132	122	126	51	43	17
1.5 (40) ASME -1500 , WN / RTJ	8705 - - - 015JM	333	333	333	178	132	122	126	49	43	17
1.5 (40) ASME -2500 , WN / RTJ	8705 - - - 015JN	398	398	398	203	132	122	126	47	43	31
1.5 (40) EN 1092 - PN160, WN / RF	8705 - - - 015DX_F0402	289	289	289	170	132	122	126	60	43	18
1.5 (40) EN 1092 - PN250, WN / RF	8705 - - - 015DX_F0403	321	321	321	185	132	122	126	60	43	24
2 (50) ASME - 600 FULL, WN / RF	8705 - - - 020D7	301	301	301	165	132	122	126	83	14	
2 (50) ASME - 900 , WN / RF	8705 - - - 020D9	362	362	362	216	132	122	126	83	43	29
2 (50) ASME -1500 , WN / RF	8705 - - - 020DM	376	376	376	216	132	122	126	83	43	31
2 (50) ASME -2500 , WN / RF	8705 - - - 020DN	428	428	428	235	132	122	126	79	43	43
2 (50) ASME - 600 FULL, WN / RTJ	8705 - - - 020J7	305	305	305	165	132	122	126	59	14	
2 (50) ASME - 900 , WN / RTJ	8705 - - - 020J9	366	366	366	216	132	122	126	67	43	30


A

TABLE 2 (CONTINUED): 6" - 24" WELD NECK FLANGES -- INCH

SIZE, DESCRIPTION	MODEL NUMBER 	DIM "D" CL to TA			FLANGE Ø DIM "B"	BODY Ø DIM "C"	DIM "D" CL to TA		LINER Ø ON FACE DIM "J"	LIFT RING HEIGHT DIM "K"	FLOW TUBE WEIGHT (lbs.)
		DIM "A" LINATEX	DIM "A" POLY	DIM "A" NEOPRENE			STYLE A	STYLE B			
6 (150) ASME - 600 FULL, WN / RF	8705 - - - 060D7	18.73	18.73	18.73	14.00	9.98	7.30	7.35	8.00	1.70	225
6 (150) ASME - 900 , WN / RF	8705 - - - 060D9	20.58	20.58	20.58	15.00	9.98	7.30	7.35	8.00	2.00	291
6 (150) ASME -1500 , WN / RF	8705 - - - 060DM	23.84	23.84	23.84	15.50	9.98	7.30	7.35	7.70	2.00	423
6 (150) ASME -2500 , WN / RF	8705 - - - 060DN	31.79	31.79	31.79	19.00	9.98	7.30	7.35	7.30	2.00	842
6 (150) ASME - 600 FULL, WN / RTJ	8705 - - - 060J7	18.89	18.89	18.89	14.00	9.98	7.30	7.35	7.12	1.70	229
6 (150) ASME - 900 , WN / RTJ	8705 - - - 060J9	20.74	20.74	20.74	15.00	9.98	7.30	7.35	7.12	2.00	295
6 (150) ASME -1500 , WN / RTJ	8705 - - - 060JM	24.12	24.12	24.12	15.50	9.98	7.30	7.35	6.73	2.00	430
6 (150) ASME -2500 , WN / RTJ	8705 - - - 060JN	32.32	32.32	32.32	19.00	9.98	7.30	7.35	6.66	2.00	859
6 (150) EN 1092 - PN100, WN / RF	8705 - - - 060DX_F0401	18.39	18.39	18.39	13.98	9.98	7.30	7.35	7.88	1.70	196
6 (150) EN 1092 - PN160, WN / RF	8705 - - - 060DX_F0402	19.49	19.49	19.49	13.98	9.98	7.30	7.35	7.88	2.00	235
6 (150) EN 1092 - PN250, WN / RF	8705 - - - 060DX_F0403	22.63	22.63	22.63	15.35	9.98	7.30	7.35	7.88	2.00	380
8 (200) ASME - 600 FULL, WN / RF	8705 - - - 080D7	21.59	21.59	21.59	16.50	11.92	8.27	8.32	10.00	1.70	348
8 (200) ASME - 900 , WN / RF	8705 - - - 080D9	24.09	24.09	24.09	18.50	11.92	8.27	8.32	10.00	3.13	514
8 (200) ASME -1500 , WN / RF	8705 - - - 080DM	28.70	28.70	28.70	19.00	11.92	8.27	8.32	9.76	3.13	747
8 (200) ASME -2500 , WN / RF	8705 - - - 080DN	36.88	36.88	36.88	21.75	11.92	8.27	8.32	9.20	3.13	1344
8 (200) ASME - 600 FULL, WN / RTJ	8705 - - - 080J7	21.75	21.75	21.75	16.50	11.92	8.27	8.32	9.37	1.70	353
8 (200) ASME - 900 , WN / RTJ	8705 - - - 080J9	24.25	24.25	24.25	18.50	11.92	8.27	8.32	9.13	3.13	520
8 (200) ASME -1500 , WN / RTJ	8705 - - - 080JM	29.11	29.11	29.11	19.00	11.92	8.27	8.32	8.66	3.13	761
8 (200) ASME -2500 , WN / RTJ	8705 - - - 080JN	37.53	37.53	37.53	21.75	11.92	8.27	8.32	8.28	3.13	1371
8 (200) EN 1092 - PN100, WN / RF	8705 - - - 080DX_F0401	21.07	21.07	21.07	16.93	11.92	8.27	8.32	9.88	1.70	341
8 (200) EN 1092 - PN160, WN / RF	8705 - - - 080DX_F0402	22.12	22.12	22.12	16.93	11.92	8.27	8.32	9.88	3.13	411
8 (200) EN 1092 - PN250, WN / RF	8705 - - - 080DX_F0403	26.45	26.45	26.45	19.09	11.92	8.27	8.32	9.88	3.13	656
10 (250) ASME - 600 FULL, WN / RF	8705 - - - 100D7	23.34	23.34	23.34	20.00	14.64	9.69	9.68	12.00	2.00	571
10 (250) ASME - 900 , WN / RF	8705 - - - 100D9	26.12	26.12	26.12	21.50	14.64	9.69	9.68	12.00	3.13	788
10 (250) ASME -1500 , WN / RF	8705 - - - 100DM	32.03	32.03	32.03	23.00	14.64	9.69	9.68	11.50	3.13	1307
10 (250) ASME -2500 , WN / RF	8705 - - - 100DN	44.95	44.95	44.95	26.50	14.64	9.69	9.68	10.65	3.13	2531
10 (250) ASME - 600 FULL, WN / RTJ	8705 - - - 100J7	23.50	23.50	23.50	20.00	14.64	9.69	9.68	11.50	2.00	578
10 (250) ASME - 900 , WN / RTJ	8705 - - - 100J9	26.28	26.28	26.28	21.50	14.64	9.69	9.68	11.25	3.13	796
10 (250) ASME -1500 , WN / RTJ	8705 - - - 100JM	32.44	32.44	32.44	23.00	14.64	9.69	9.68	10.78	3.13	1325
10 (250) ASME -2500 , WN / RTJ	8705 - - - 100JN	45.86	45.86	45.86	26.50	14.64	9.69	9.68	9.94	3.13	2589
10 (250) EN 1092 - PN100, WN / RF	8705 - - - 100DX_F0401	23.33	23.33	23.33	19.88	14.64	9.69	9.68	11.88	2.00	538
10 (250) EN 1092 - PN160, WN / RF	8705 - - - 100DX_F0402	23.45	23.45	23.45	20.28	14.64	9.69	9.68	11.88	3.13	628
10 (250) EN 1092 - PN250, WN / RF	8705 - - - 100DX_F0403	28.60	28.60	28.60	23.03	14.64	9.69	9.68	11.88	3.13	1059
12 (300) ASME - 600 FULL, WN / RF	8705 - - - 120D7	26.59	26.59	26.59	22.00	16.50	10.77	10.61	14.00	2.00	746
12 (300) ASME - 900 , WN / RF	8705 - - - 120D9	30.33	30.33	30.33	24.00	16.50	10.77	10.61	14.00	3.13	1097
12 (300) ASME -1500 , WN / RF	8705 - - - 120DM	37.11	37.11	37.11	26.50	16.50	10.77	10.61	13.18	3.13	2016
12 (300) ASME -2500 , WN / RF	8705 - - - 120DN	51.50	51.50	51.50	30.00	16.50	10.77	10.61	12.20	3.13	3843
12 (300) ASME - 600 FULL, WN / RTJ	8705 - - - 120J7	26.75	26.75	26.75	22.00	16.50	10.77	10.61	13.75	2.00	754
12 (300) ASME - 900 , WN / RTJ	8705 - - - 120J9	30.49	30.49	30.49	24.00	16.50	10.77	10.61	13.50	3.13	1107
12 (300) ASME -1500 , WN / RTJ	8705 - - - 120JM	37.76	37.76	37.76	26.50	16.50	10.77	10.61	12.28	3.13	2052
12 (300) ASME -2500 , WN / RTJ	8705 - - - 120JN	52.41	52.41	52.41	30.00	16.50	10.77	10.61	12.06	3.13	3921
12 (300) EN 1092 - PN100, WN / RF	8705 - - - 120DX_F0401	27.39	27.39	27.39	23.03	16.50	10.77	10.61	13.88	2.00	794
12 (300) EN 1092 - PN160, WN / RF	8705 - - - 120DX_F0402	27.96	27.96	27.96	23.03	16.50	10.77	10.61	13.88	3.13	896
14 (350) ASME - 600 FULL, WN / RF	8705 - - - 140D7	29.95	29.95	29.95	23.75	18.92	11.83	11.82	15.25	2.00	924
14 (350) ASME - 900 , WN / RF	8705 - - - 140D9	34.41	34.37	34.37	25.25	18.92	11.83	11.82	15.13	2.00	1373
14 (350) ASME - 900 , WN / RTJ	8705 - - - 140D9	34.82	34.78	34.78	25.25	18.92	11.83	11.82	15.44	2.00	1373
14 (350) ASME -1500 , WN / RF	8705 - - - 140DM	40.82	40.82	40.82	29.50	18.92	11.83	11.82	14.06	3.13	2645
14 (350) ASME - 600 FULL, WN / RTJ	8705 - - - 140J7	30.11	30.11	30.11	23.75	18.92	11.83	11.82	15.00	2.00	936
14 (350) EN 1092 - PN100, WN / RF	8705 - - - 140DX_F0401	31.48	31.48	31.48	25.79	18.92	11.83	11.82	15.13	2.00	1108
16 (400) ASME - 600 FULL, WN / RF	8705 - - - 160D7	33.23	33.23	33.23	27.00	20.94	12.84	12.83	17.50	3.13	1256
16 (400) ASME -1500 , WN / RF	8705 - - - 160DM	43.96	43.96	43.96	32.50	20.94	12.84	12.83	18.50	3.13	3453
16 (400) ASME - 600 FULL, WN / RTJ	8705 - - - 160J7	33.39	33.39	33.39	27.00	20.94	12.84	12.83	17.00	3.13	1268
16 (400) ASME - 900 , WN / RF	8705 - - - 160D9	37.05	37.01	37.01	27.75	20.94	12.84	12.83	17.38	3.13	1683
16 (400) ASME - 900 , WN / RTJ	8705 - - - 160D9	37.46	37.42	37.42	27.75	20.94	12.84	12.83	17.32	3.13	1683
18 (450) ASME - 600 FULL, WN / RF	8705 - - - 180D7	34.89	34.89	34.89	29.25	23.46	14.10	14.09	20.00	3.13	1508
18 (450) ASME - 900 , WN / RF	8705 - - - 180D9	39.05	39.01	39.01	31.00	23.46	14.10	14.09	19.88	3.13	2167
18 (450) ASME - 900 , WN / RTJ	8705 - - - 180D9	39.58	39.54	39.54	31.00	23.46	14.10	14.09	19.69	3.13	2167
18 (450) ASME -1500 , WN / RF	8705 - - - 180DM	46.23	46.23	46.23	36.00	23.46	14.10	14.09	21.00	3.38	4377
18 (450) ASME - 600 FULL, WN / RTJ	8705 - - - 180J7	35.05	35.05	35.05	29.25	23.46	14.10	14.09	19.38	3.13	1523
20 (500) ASME - 600 FULL, WN / RF	8705 - - - 200D7	37.93	37.93	37.93	32.00	25.48	15.11	15.10	22.00	3.13	1865
20 (500) ASME - 900 , WN / RF	8705 - - - 200D9	43.05	43.01	43.01	33.75	25.48	15.11	15.10	21.88	3.13	2681
20 (500) ASME - 900 , WN / RTJ	8705 - - - 200D9	43.58	43.54	43.54	33.75	25.48	15.11	15.10	21.63	3.13	2681
20 (500) ASME -1500 , WN / RF	8705 - - - 200DM	50.81	50.81	50.81	38.75	25.48	15.11	15.10	21.10	3.38	5443
20 (500) ASME - 600 FULL, WN / RTJ	8705 - - - 200J7	38.21	38.21	38.21	32.00	25.48	15.11	15.10	21.00	3.13	1893
24 (600) ASME - 600 FULL, WN / RF	8705 - - - 240D7	41.99	41.99	41.99	37.00	30.03	17.39	17.38	26.00	3.13	2806
24 (600) ASME -1500 , WN / RF	8705 - - - 240DM	57.94	57.94	57.94	46.00	30.03	17.39	17.38	25.50	3.38	8768
24 (600) ASME - 600 FULL, WN / RTJ	8705 - - - 240J7	42.40	42.40	42.40	37.00	30.03	17.39	17.38	25.00	3.13	2854

H

TABLE 2 (CONTINUED): 6" - 24" WITH WELD NECK FLANGES --MILLIMETER

SIZE, DESCRIPTION	MODEL NUMBER 	DIM "D" CL to TA			FLANGE Ø DIM "B"	BODY Ø DIM "C"	DIM "D" CL to TA		LINER Ø ON FACE DIM "J"	LIFT RING HEIGHT DIM "K"	FLOW TUBE WEIGHT (kgs.)
		DIM "A" LINATEX	DIM "A" POLY	DIM "A" NEOPRENE			STYLE A	STYLE B			
6 (150) ASME - 600 FULL, WN / RF	8705 - - - 060D7	476	476	476	356	253	185	187	203	43	102
6 (150) ASME - 900 , WN / RF	8705 - - - 060D9	523	523	523	381	253	185	187	203	51	132
6 (150) ASME -1500 , WN / RF	8705 - - - 060DM	605	605	605	394	253	185	187	196	51	192
6 (150) ASME -2500 , WN / RF	8705 - - - 060DN	807	807	807	483	253	185	187	185	51	382
6 (150) ASME - 600 FULL, WN / RTJ	8705 - - - 060J7	480	480	480	356	253	185	187	181	43	104
6 (150) ASME - 900 , WN / RTJ	8705 - - - 060J9	527	527	527	381	253	185	187	181	51	134
6 (150) ASME -1500 , WN / RTJ	8705 - - - 060JM	613	613	613	394	253	185	187	171	51	195
6 (150) ASME -2500 , WN / RTJ	8705 - - - 060JN	821	821	821	483	253	185	187	169	51	390
6 (150) EN 1092 - PN100, WN / RF	8705 - - - 060DX_F0401	467	467	467	355	253	185	187	200	43	89
6 (150) EN 1092 - PN160, WN / RF	8705 - - - 060DX_F0402	495	495	495	355	253	185	187	200	51	107
6 (150) EN 1092 - PN250, WN / RF	8705 - - - 060DX_F0403	575	575	575	390	253	185	187	200	51	172
8 (200) ASME - 600 FULL, WN / RF	8705 - - - 080D7	548	548	548	419	303	210	211	254	43	158
8 (200) ASME - 900 , WN / RF	8705 - - - 080D9	612	612	612	470	303	210	211	254	80	233
8 (200) ASME -1500 , WN / RF	8705 - - - 080DM	729	729	729	483	303	210	211	248	80	339
8 (200) ASME -2500 , WN / RF	8705 - - - 080DN	937	937	937	552	303	210	211	234	80	609
8 (200) ASME - 600 FULL, WN / RTJ	8705 - - - 080J7	552	552	552	419	303	210	211	238	43	