

**AVENTICS GmbH**  
Ulmer Straße 4  
30880 Laatzen, GERMANY  
Phone +49 (0) 5 11-21 36-0  
Fax: +49 (0) 511-21 36-2 69  
www.aventics.com  
info@aventics.com

**AVENTICS** 

**AVENTICS** 

Montageanleitung | Assembly instructions | Mode d'emploi |  
Istruzioni di montaggio | Instrucciones de montaje | Monteringsanvisning

Sensorbefestigung  
Sensor mounting  
Fixation de capteur  
Fissaggio sensore  
Fijación de sensor  
Sensorfäste

## CB1

**R412020606/02.2016,**

Replaces: 08.2014, DE/EN/FR/IT/ES/SV

Further addresses:  
www.aventics.com/contact

The data specified above only serve to describe the product. No statements concerning a certain condition or suitability for a certain application can be derived from our information. The given information does not release the user from the obligation of own judgement and verification. It must be remembered that our products are subject to a natural process of wear and aging.

An example configuration is depicted on the title page. The delivered product may thus vary from that in the illustration.

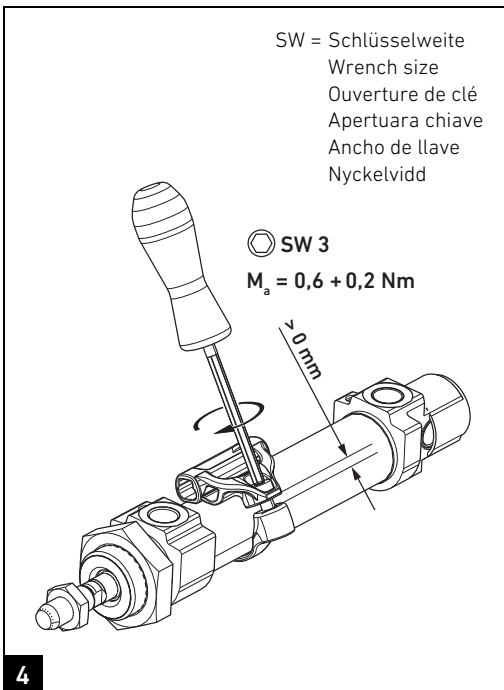
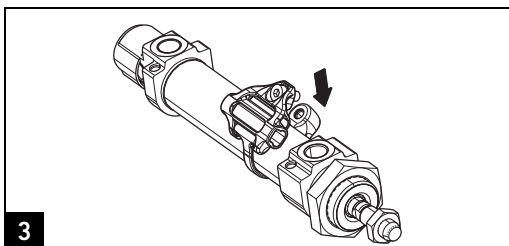
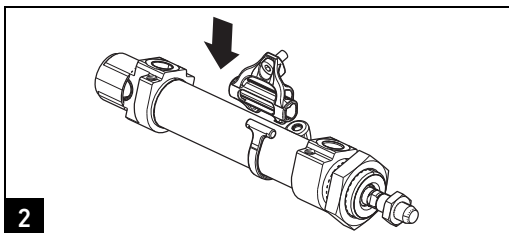
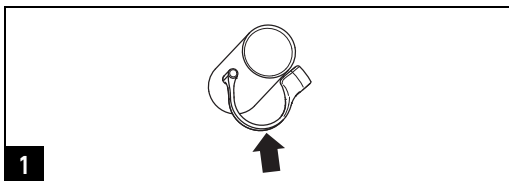
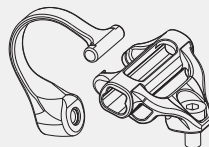
Translation of the original operating instructions. The original operating instructions were created in the German language.

R412020626-BAL-001-AD/02.2016  
Subject to modifications. © All rights reserved by AVENTICS GmbH, even and especially in cases of proprietary rights applications. It may not be reproduced or given to third parties without its consent.

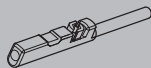
für Serie/for Series/pour Série/per Serie/para Serie/för Serie



Lieferumfang  
Delivery contents  
Fourniture  
Fornitura  
Volumen de suministro  
Leveransomfatning

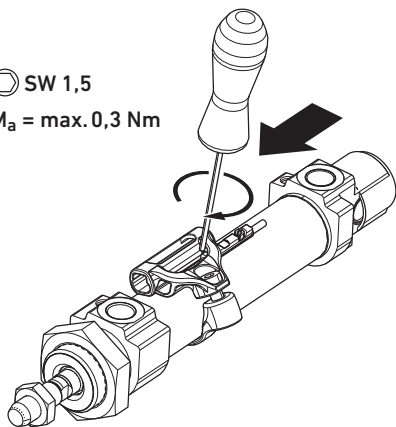


ST4



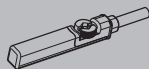
⊙ SW 1,5

$M_a = \text{max. } 0,3 \text{ Nm}$

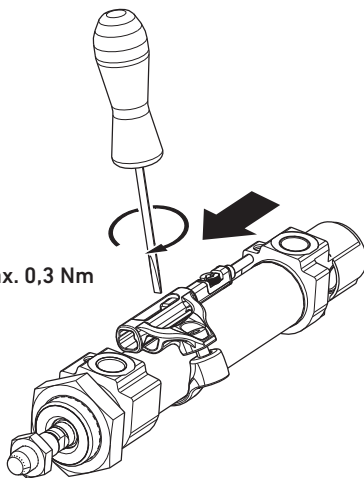


5

ST6

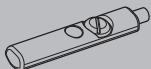


$M_a = \text{max. } 0,3 \text{ Nm}$

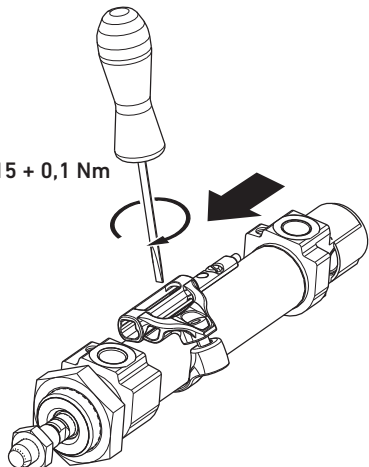


5

ST6



$M_a = 0,15 + 0,1 \text{ Nm}$



5

SW = Schlüsselweite  
Wrench size  
Ouverture de clé  
Apertura chiave  
Ancho de llave  
Nyckelvidd