

Keystone™ K-LOK® Series 38

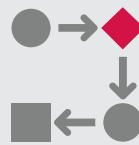
High performance butterfly valve for chemical producers

As a chemical producer, you rely on your valves to ensure a safe work environment for your personnel, reduce fugitive emissions and maximise plant productivity. Installing valves designed to the latest NAMUR NE 167 specification can move your facility to higher levels of performance. And yet, not all high performance butterfly valves can deliver...

An ineffective seal at valve closure, particularly in dead-end service can put your **personnel at risk**, result in **valuable product loss** and cause **unplanned downtime**.



Valves that don't comply to the latest standards **create inefficiencies in your plant**. They require design compromises, custom maintenance and additional costly spares inventory.



Valves are responsible for **up to 60% of fugitive emissions** in a typical process plant, primarily through stem and joint leaks.



The majority of injuries sustained by personnel in process plants occur during **corrective maintenance** activities.



What if you could solve these challenges with a single valve?

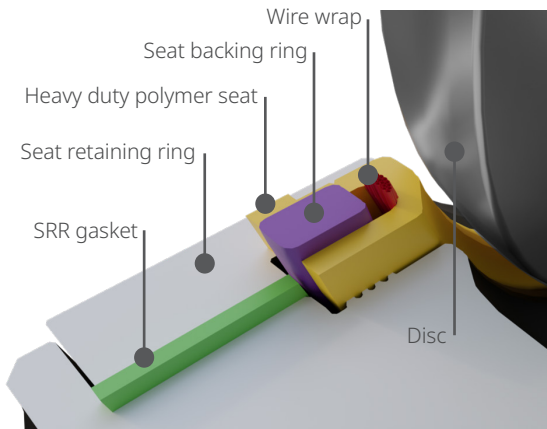


Now you can with the new NAMUR NE 167 compliant **Keystone K-LOK Series 38** ▶

Keystone™ K-LOK® Series 38 High Performance Butterfly Valves

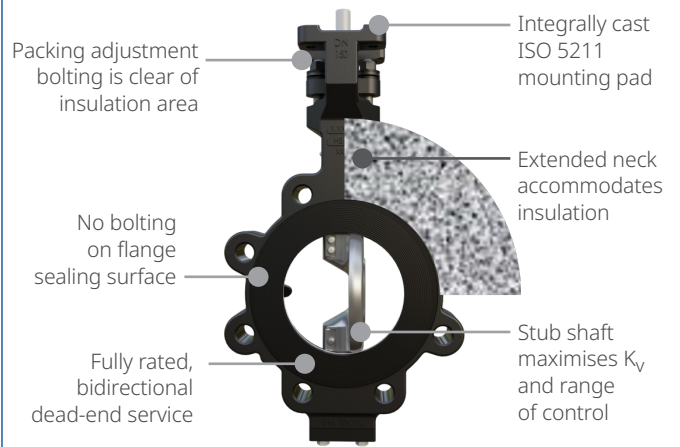
Ensure longer, reliable isolation and lower total cost of ownership with superior high performance butterfly valves.

Discover enduring sealing performance



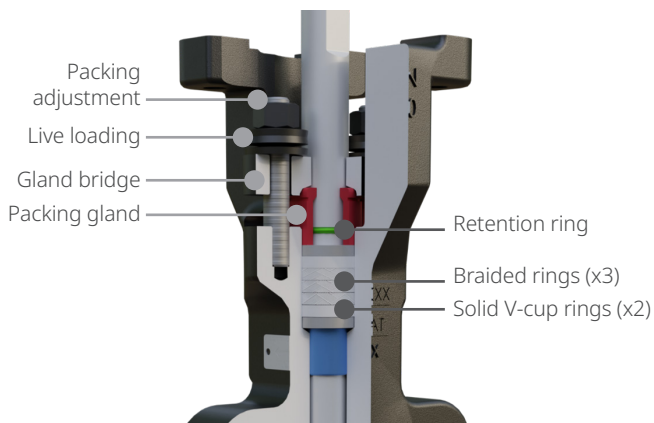
Deploy the proven K-LOK seat design that delivers zero leakage shut-off to EN 12266, independent of line pressure. The design eliminates almost all voids and with it, the possibility for media to accumulate. This allows the valve to deliver the same, superior sealing performance at very low pressure, and in challenging services that contain particulate.

Drive valve asset standardisation and savings



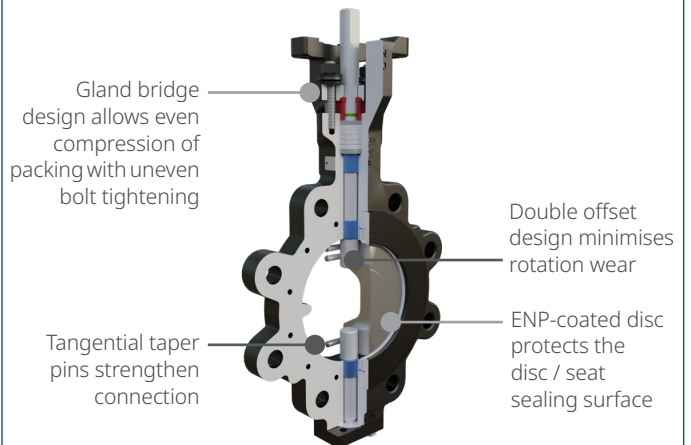
Simplify your valve assets with a solution designed to suit your chemical facility. The lug style valve provides full rated, bidirectional dead-end service with an uninterrupted flange sealing surface in compliance with EN 12569. The valve is designed to NAMUR NE 167, ISO and EN specifications with PED and CE certifications as standard.

Maintain fugitive emissions compliance



Stay ahead of fugitive emissions compliance with this modern valve design complete with features engineered to meet the most stringent regulation. All possible leak paths have been addressed, most notably the stem seal system which comes standard with live-loaded PTFE packing. This valve is certified to ISO 15848-1 BH C03.

Optimise your valve asset class spend



Achieve a lower total cost of ownership with a valve designed to achieve minimal wear over a high cycle life, no routine packing maintenance, lower actuation torque, and simple seat replacement without removing the disc or shaft. All this means lower maintenance spend, reduced actuation costs and minimal downtime over an extended service life.

© 2023 Emerson Electric Co. All rights reserved.

Neither Emerson, Emerson Automation Solutions, nor any of their affiliated entities assumes responsibility for the selection, use or maintenance of any product. Responsibility for proper selection, use, and maintenance of any product remains solely with the purchaser and end user.

Keystone is a mark owned by one of the companies in the Emerson Automation Solutions business unit of Emerson Electric Co. Emerson Automation Solutions, Emerson and the Emerson logo are trademarks and service marks of Emerson Electric Co. All other marks are the property of the irrelative owners.

The contents of this publication are presented for informational purposes only, and while every effort has been made to ensure their accuracy, they are not to be construed as warranties or guarantees, express or implied, regarding the products or services described herein or their use or applicability. All sales are governed by our terms and conditions, which are available upon request. We reserve the right to modify or improve the designs or specifications of such products at any time without notice.

FCFL-20070-EN 23/10

