

Contact bridges, series CON-CB



AVENTICS™ Contact bridges, series CON-CB



Contact bridges, series CON-CB

- Plug, 4-pin, straight, 180°
- Socket, form C, 2-pin, straight
- Number of solenoid coils 1



| | |
|--|----------------|
| Ambient temperature min./max. | -15 ... 50 °C |
| Protection class | IP65 |
| Operational voltage | 24 V AC/DC |
| Voltage tolerance AC 50 Hz | -10% / +10% |
| Voltage tolerance AC 60 Hz | -10% / +10% |
| Valve LED status display | Yellow |
| Mounting screw | M2.5 with slot |
| Tightening torque for mounting screws [+0,05] | 0.25 Nm |
| Weight | 0.016 kg |

Technical data

Part No.

5763573113

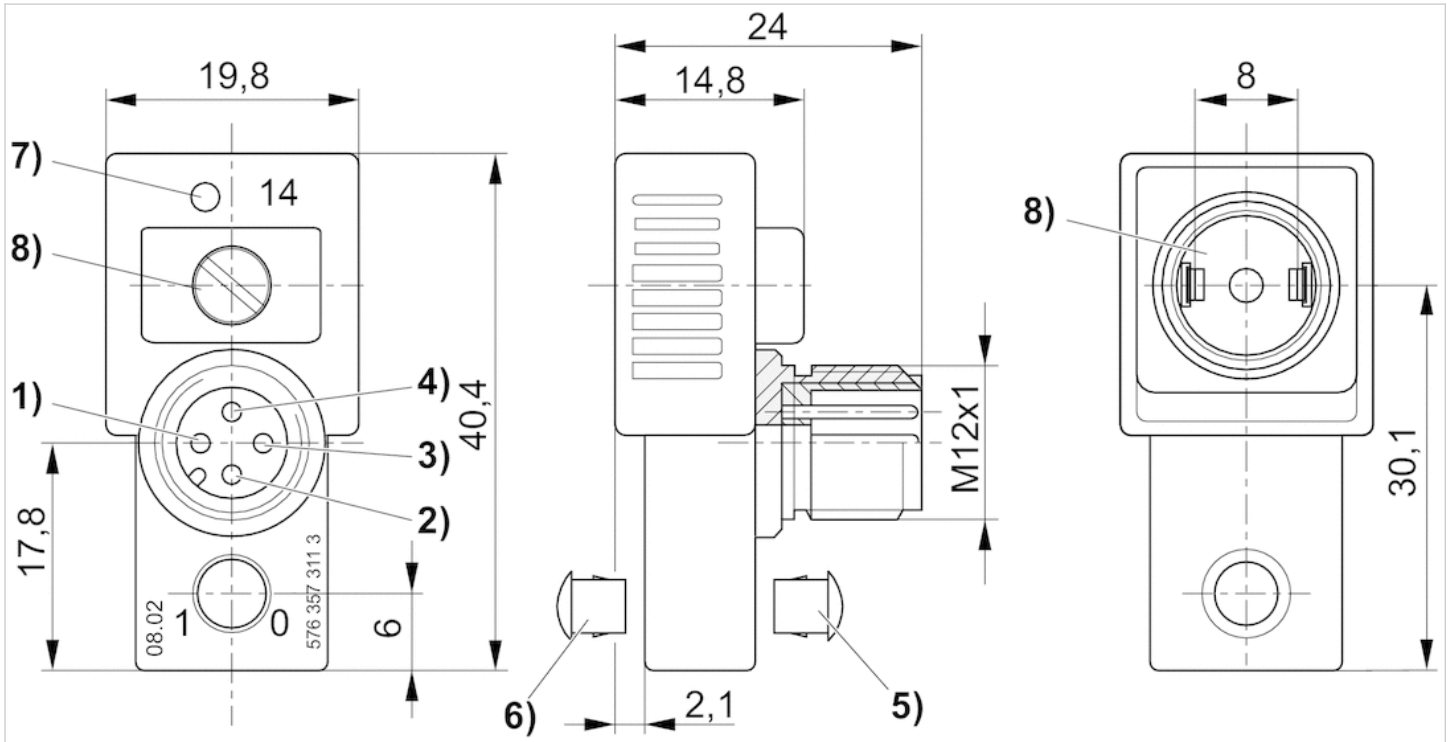
Technical information

Material

| | |
|---------|------------------|
| Housing | Polyester amide |
| Seals | Fluorocaoutchouc |

Dimensions

Dimensions



- 1) not assigned
- 2) not assigned
- 3) 0 V
- 4) magnet 14
- 5) Sealing cap for manual override not removable
- 6) Removable
- 7) LED valve
- 8) captive seal and screw

Contact bridges, series CON-CB

- Plug, 4-pin, straight, 180°
- Socket, form C, 2-pin, straight
- Socket, form C, 2-pin, straight
- Number of solenoid coils 2



| | |
|--|----------------|
| Ambient temperature min./max. | -15 ... 50 °C |
| Protection class | IP65 |
| Operational voltage | 24 V AC/DC |
| Voltage tolerance AC 50 Hz | -10% / +10% |
| Voltage tolerance AC 60 Hz | -10% / +10% |
| Valve LED status display | Yellow |
| Mounting screw | M2.5 with slot |
| Tightening torque for mounting screws [+0,05] | 0.25 Nm |
| Weight | 0.026 kg |

Technical data

Part No.

5763573103

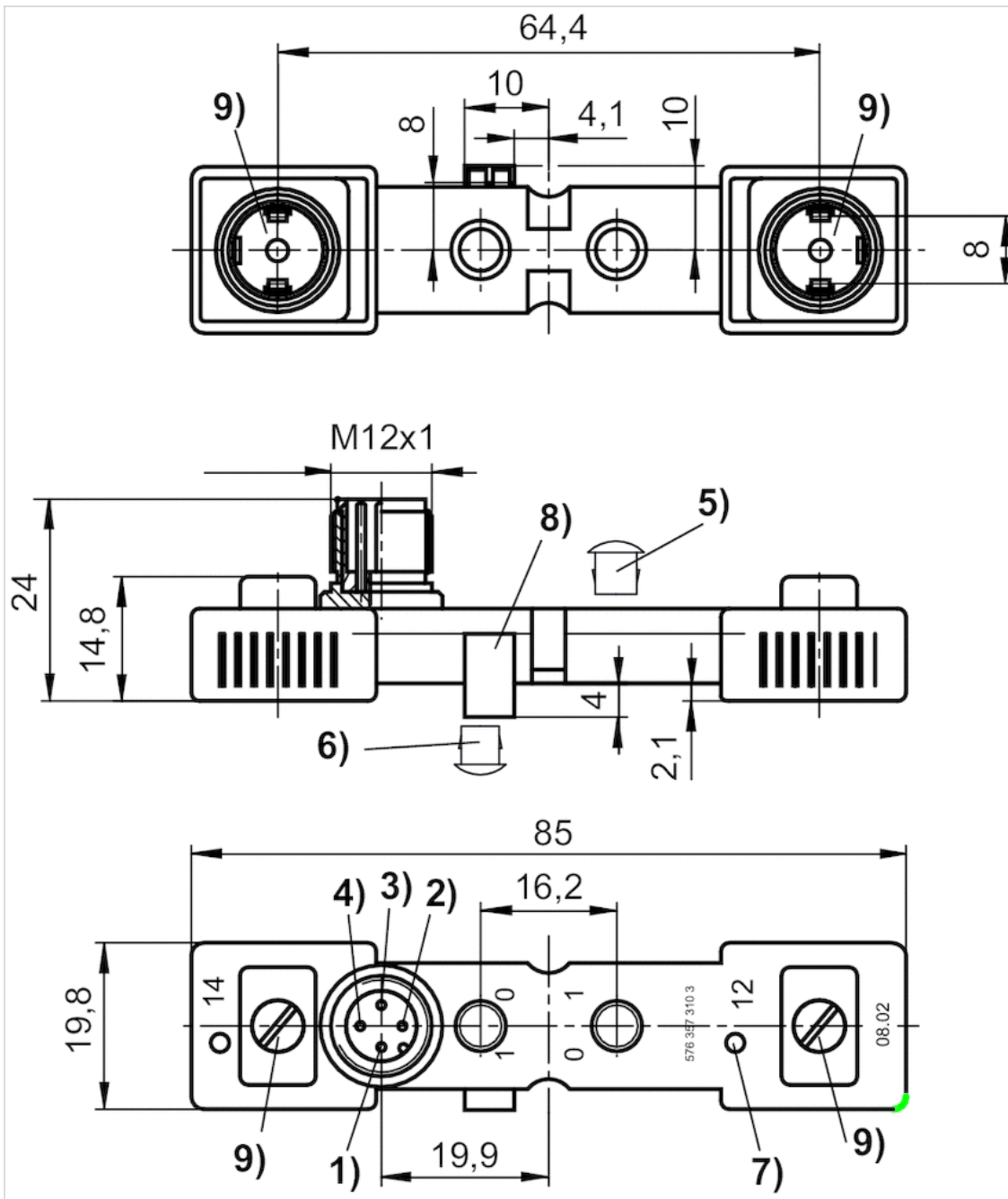
Technical information

Material

| | |
|---------|------------------|
| Housing | Polyester amide |
| Seals | Fluorocaoutchouc |

Dimensions

Dimensions



- 1) not assigned 2) solenoid 12 3) 0 V 4) solenoid 14
- 5) Sealing cap for manual override not removable
- 6) Removable
- 7) LED valve
- 8) positioning pin
- 9) captive seal and screw

Contact bridges, series CON-CB

- Plug, 4-pin, straight, 180°
- Socket, form C, 2-pin, straight
- Number of solenoid coils 1



| | |
|--|---------------------|
| Ambient temperature min./max. | -15 ... 50 °C |
| Protection class | IP65 |
| Protective circuit | 43 V bi-directional |
| Operational voltage | 24 V DC |
| Valve LED status display | Yellow |
| Mounting screw | M2.5 with slot |
| Tightening torque for mounting screws [+0,05] | 0.25 Nm |
| Weight | 0.02 kg |

Technical data

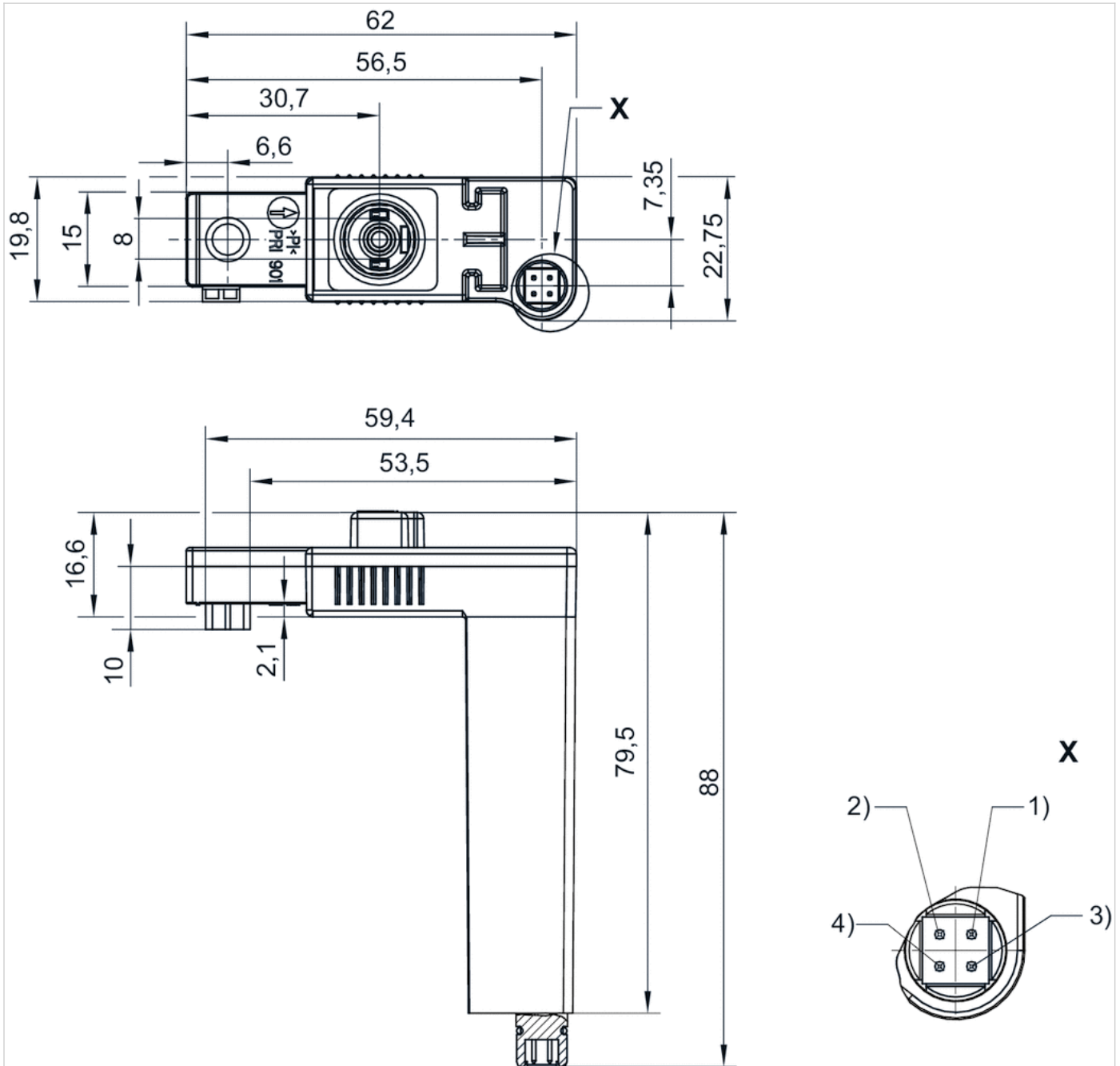
| Part No. |
|------------|
| R412005847 |

Technical information

| Material | |
|----------|------------------|
| Housing | Polyester amide |
| Seals | Fluorocaoutchouc |

Dimensions

Dimensions



Pin assignment:
 Pin 1: solenoid 14
 Pin 2: solenoid 12
 Pin 3: ground
 Pin 4: 0 V

Contact bridges, series CON-CB

- Plug, 4-pin, straight, 180°
- Socket, form C, 2-pin, straight
- Socket, form C, 2-pin, straight
- Number of solenoid coils 2



| | |
|--|----------------|
| Ambient temperature min./max. | -15 ... 50 °C |
| Protection class | IP65 |
| Operational voltage | 24 V DC |
| Valve LED status display | Yellow |
| Mounting screw | M2.5 with slot |
| Tightening torque for mounting screws [+0,05] | 0.25 Nm |
| Weight | 0.03 kg |

Technical data

Part No.

R412005846

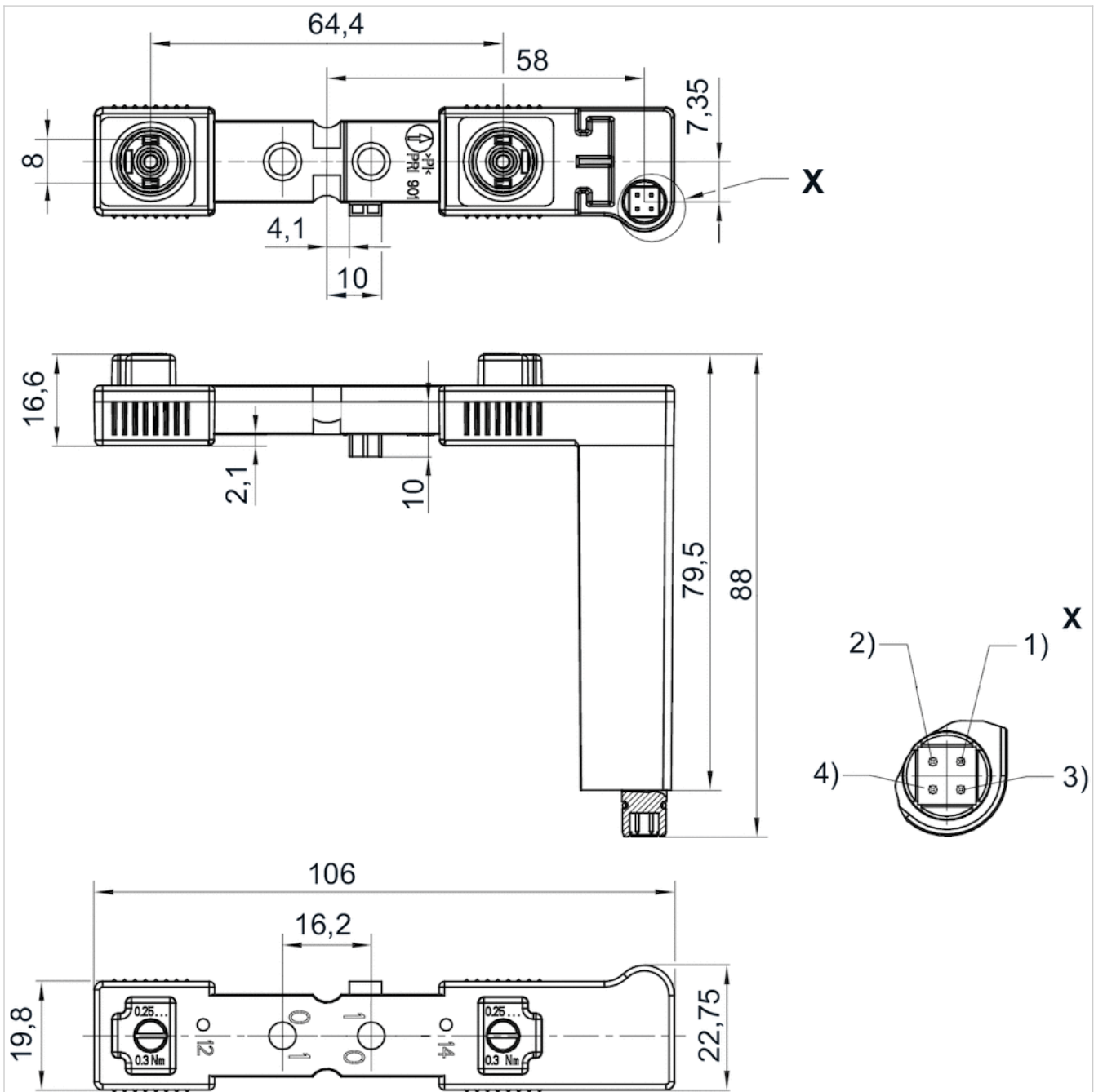
Technical information

Material

| | |
|---------|------------------|
| Housing | Polyester amide |
| Seals | Fluorocaoutchouc |

Dimensions

Dimensions



Pin assignment:

Pin 1: solenoid 14

Pin 2: solenoid 12

Pin 3: ground

Pin 4: 0 V

Contact bridges, series CON-CB

- Control Snap Ø8
- Plug, 3-pin, straight, 180°
- Socket, form C, 2-pin, straight
- Number of solenoid coils 1



| | |
|---|----------------|
| Ambient temperature min./max. | -25 ... 75 °C |
| Protection class | IP65 |
| Operational voltage | 24 V DC |
| Valve LED status display | Yellow |
| Mounting screw | M2.5 with slot |
| Tightening torque for mounting screws [+0,05] | 0.25 Nm |
| Weight | 0.012 kg |

Technical data

| Part No. | Wire cross-section |
|------------|----------------------|
| 5763503183 | 0.14 mm ² |

Technical information

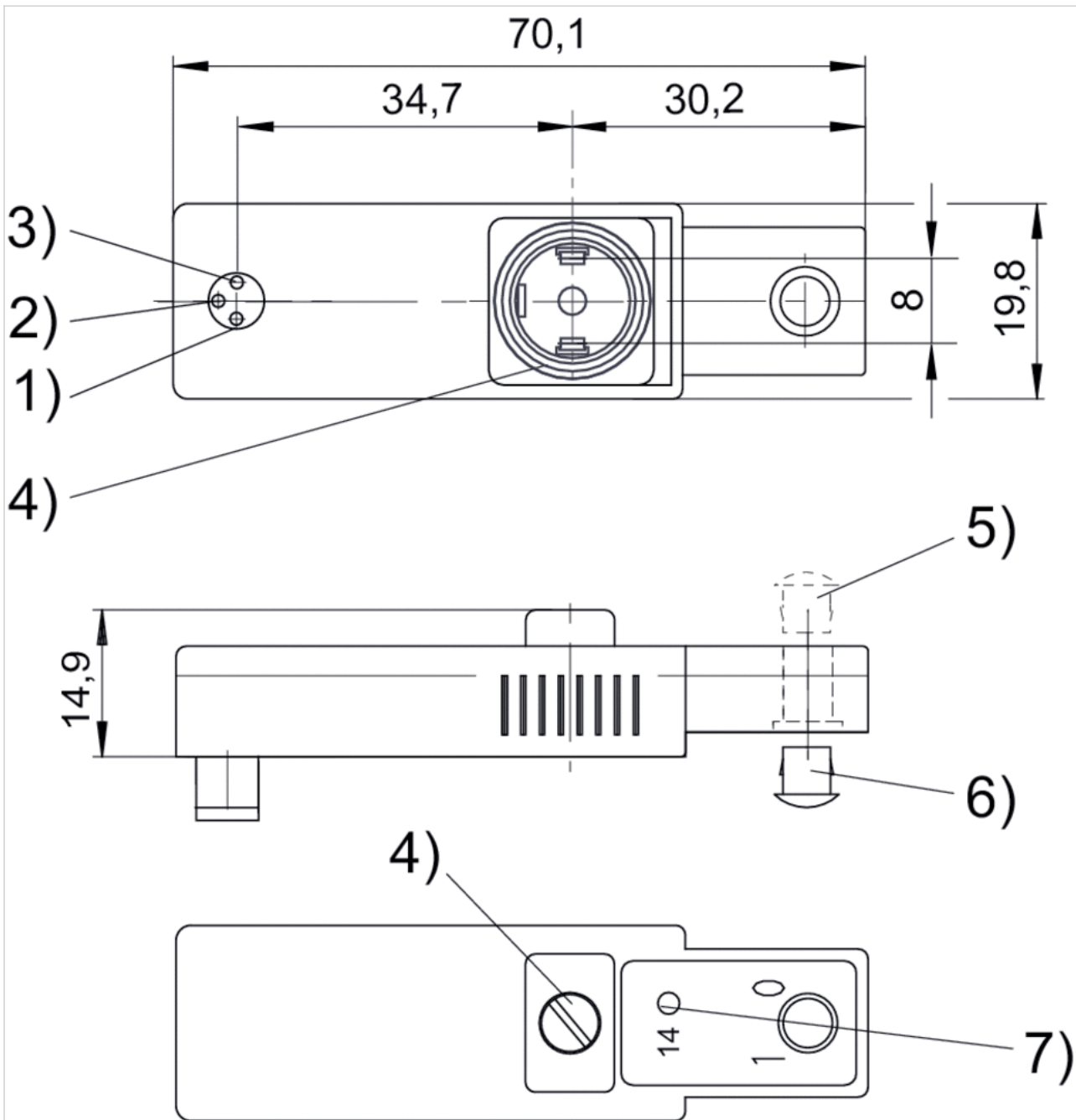
The specified protection class is only valid in assembled and tested state.

Technical information

| Material | |
|----------|------------------|
| Housing | Polyester amide |
| Seals | Fluorocaoutchouc |

Dimensions

Dimensions



- 1) solenoid 14 2) not assigned 3) 0 V
- 4) captive seal and screw 5) sealing cap for manual override not removable 6) removable 7) LED valve

Contact bridges, series CON-CB

- Control Snap Ø8
- Plug, 3-pin, straight, 180°
- Socket, form C, 2-pin, straight
- Socket, form C, 2-pin, straight
- Number of solenoid coils 2



| | |
|---|----------------|
| Ambient temperature min./max. | -25 ... 75 °C |
| Protection class | IP65 |
| Operational voltage | 24 V DC |
| Valve LED status display | Yellow |
| Mounting screw | M2.5 with slot |
| Tightening torque for mounting screws [+0,05] | 0.25 Nm |
| Weight | 0.019 kg |

Technical data

| Part No. | Wire cross-section |
|------------|----------------------|
| 5763503193 | 0.14 mm ² |

Technical information

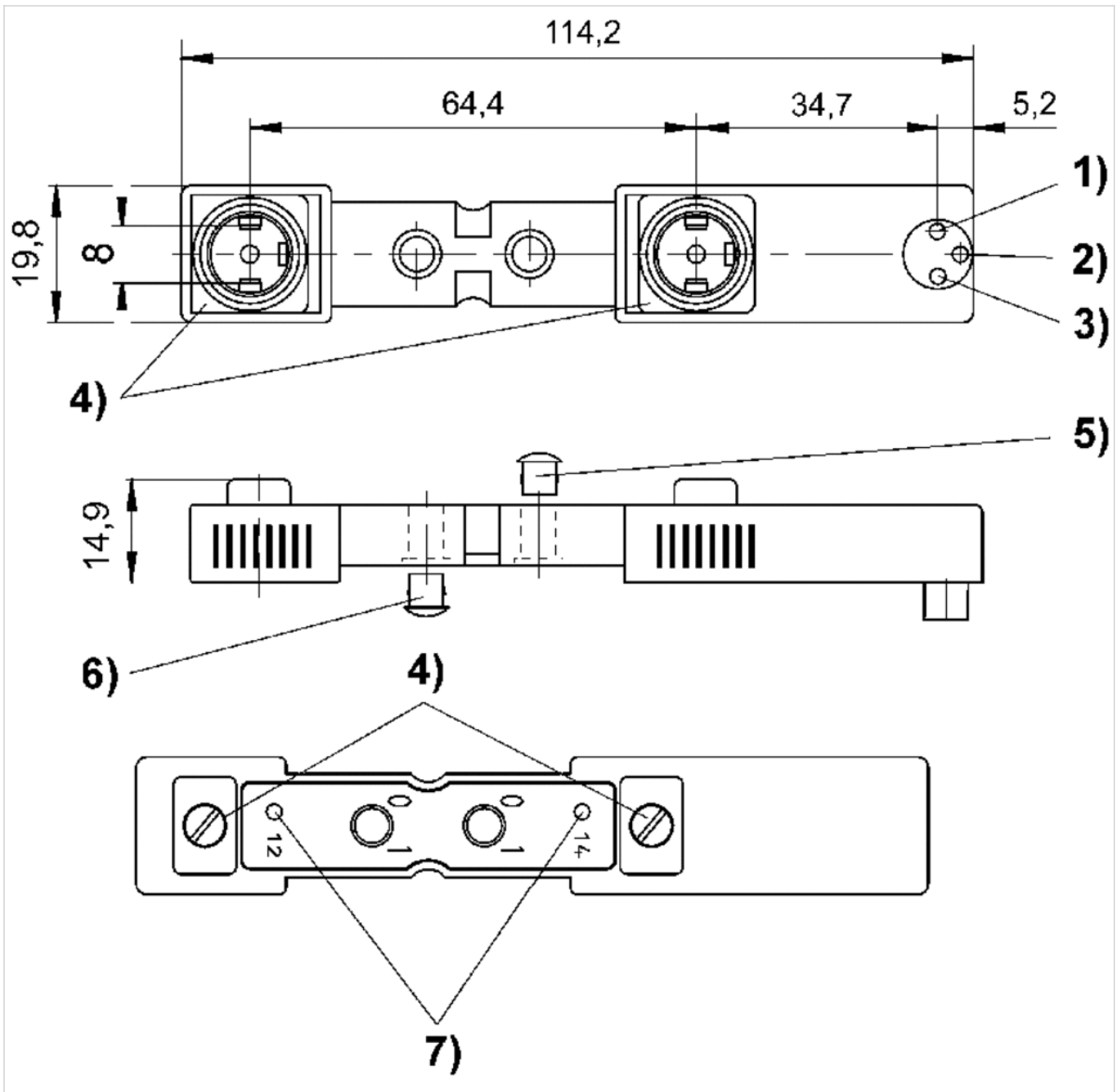
The specified protection class is only valid in assembled and tested state.

Technical information

| Material | |
|----------|------------------|
| Housing | Polyester amide |
| Seals | Fluorocaoutchouc |

Dimensions

Dimensions



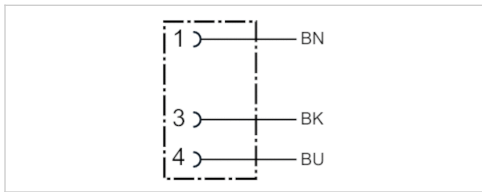
- 1) solenoid 14 2) solenoid 12 3) 0 V
- 4) captive seal and screw 5) sealing cap for manual override not removable 6) removable 7) LED valve

Round plug connector, Series CON-RD

- Socket Snap Ø8 3-pin with detent straight 180°
- open cable ends
- with cable
- unshielded



| | |
|---------------------|----------------------|
| Operational voltage | 48 V AC/DC |
| Protection class | IP65 |
| Wire cross-section | 0.25 mm ² |
| Weight | 0.058 kg |



Technical data

| Part No. | Max. current | Number of wires | Cable-Ø | Cable length |
|------------|--------------|-----------------|---------|--------------|
| 8946016112 | 3 A | 3 | 4.5 mm | 2.5 m |

Technical information

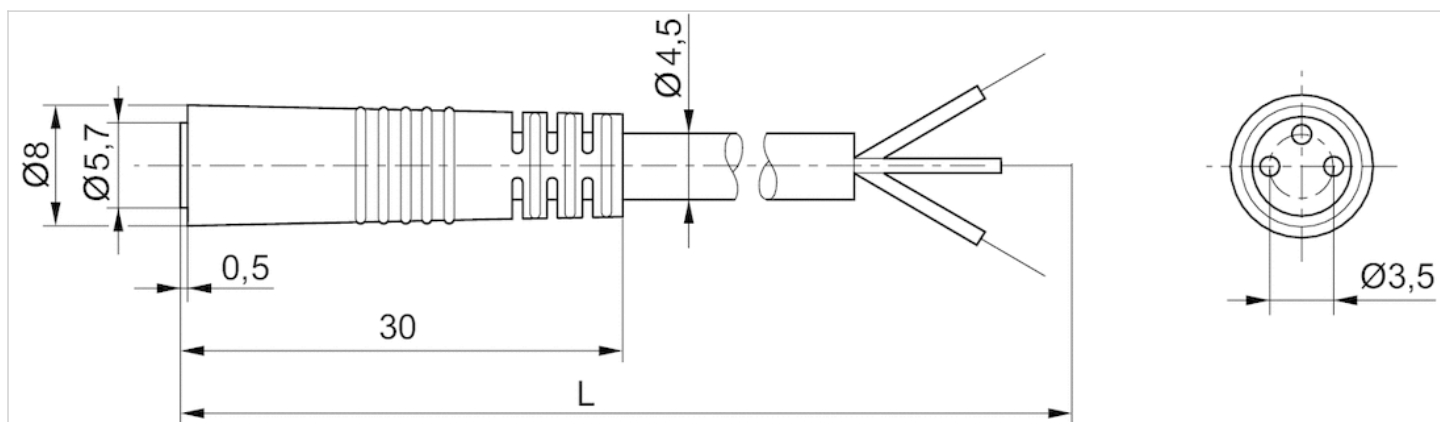
The specified protection class is only valid in assembled and tested state.

Technical information

| Material | |
|--------------|--------------------|
| Cable sheath | Polyvinyl chloride |

Dimensions

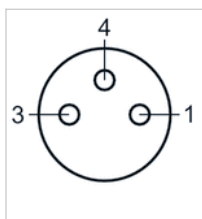
Dimensions



L = length

Pin assignments

Pin assignment, socket



- (1) BN=brown
- (2) BK=black
- (3) BU=blue

Adapter, Series CON-VP

- from form A to form C
- Socket, straight, 180°
- Plug, straight, 180°
- unshielded



| | |
|-------------------------------|---------------|
| Ambient temperature min./max. | -25 ... 50 °C |
| Operational voltage | 42 V DC |
| Protection class | IP65 |
| Protection class | IP65 |
| Weight | 0.013 kg |

Technical data

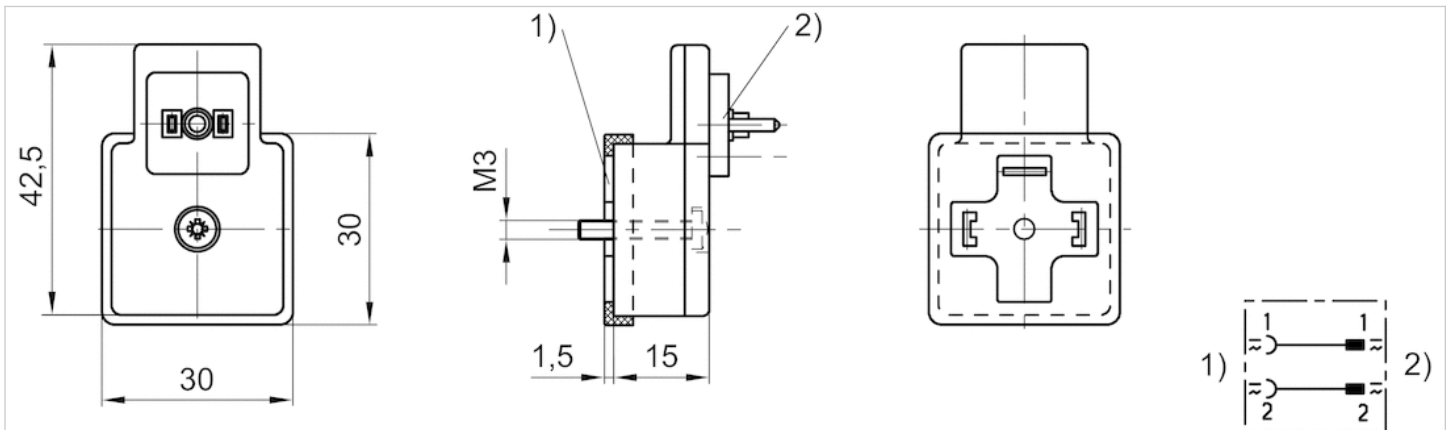
| Part No. | Version | Max. current |
|------------|-----------------------|--------------|
| 8946053622 | from form A to form C | 0.5 A |

Technical information

| Material | |
|----------|-----------|
| Housing | Polyamide |

Dimensions

Dimensions



1) contact as per DIN EN 175301-803, form A
 2) contact as per DIN EN 175301-803, form C

Blanking plug, series CON-CB



Ambient temperature min./max. -15 ... 50 °C
 Protection class IP65
 Weight 0.006 kg

Technical data

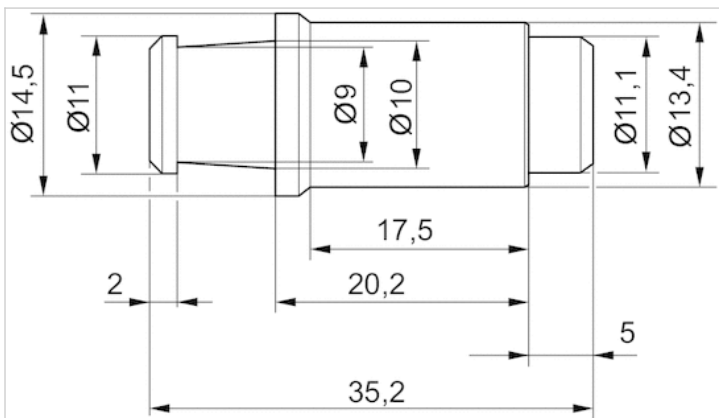
| Part No. | Type |
|------------|--------------------|
| 5763500414 | for series CD01-PL |

Technical information

| Material | |
|----------|------------------|
| Housing | Polyoxymethylene |

Dimensions

Dimensions



Sealing cap for manual override



Weight

0.003 kg

The delivered product may vary from that in the illustration.

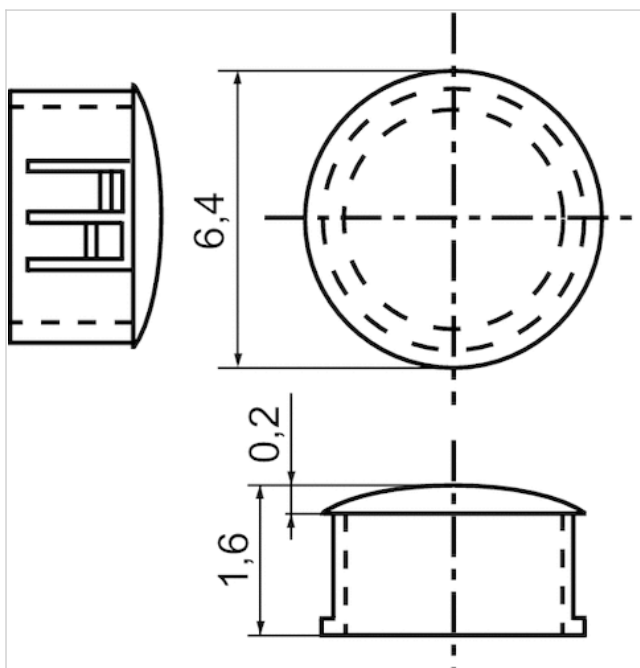
Technical data

| Part No. | Delivery unit |
|------------|---------------|
| 8980122904 | 10 piece |

Technical information

| Material | |
|----------|-----------|
| Housing | Polyamide |

Dimensions



Efficient pneumatic solutions, our program: cylinders and drives, valves and valve systems, air supply management



Visit us: [Emerson.com/Aventics](https://www.emerson.com/Aventics)

Your local contact: [Emerson.com/contactus](https://www.emerson.com/contactus)



Emerson.com



[Facebook.com/EmersonAutomationSolutions](https://www.facebook.com/EmersonAutomationSolutions)



[LinkedIn.com/company/Emerson-Automation-Solutions](https://www.linkedin.com/company/Emerson-Automation-Solutions)



[Twitter.com/EMR_Automation](https://twitter.com/EMR_Automation)

An example configuration is depicted on the title page. The delivered product may thus vary from that in the illustration. Subject to change. This Document, as well as the data, specifications and other information set forth in it, are the exclusive property of AVENTICS GmbH. It may not be reproduced or given to third parties without its consent. Only use the AVENTICS products shown in industrial applications. Read the product documentation completely and carefully before using the product. Observe the applicable regulations and laws of the respective country. When integrating the product into applications, note the system manufacturer's specifications for safe use of the product. The data specified only serve to describe the product. No statements concerning a certain condition or suitability for a certain application can be derived from our information. The information given does not release the user from the obligation of own judgment and verification. It must be remembered that the products are subject to a natural process of wear and aging.

The Emerson logo is a trademark and service mark of Emerson Electric Co. Brand logotype are registered trademarks of one of the Emerson family of companies. All other marks are the property of their respective owners. © 2017 Emerson Electric Co. All rights reserved.
2019-03



CONSIDER IT SOLVED™