

Specifications

For other materials or modifications, please consult TESCOM.

FLUID MEDIA

For non-corrosive gases and gas mixtures up to 5.0 purity (99.999 Vol%)

OPERATING PARAMETERS

Pressure rating per criteria of ANSI/ASME B31.3

Nominal Width (DN)

Line Valve: 0.394" / 10 mm

Nominal Pressure

Line Valve: 4351 psig / 300 bar

Design

Line Valve: Angle / Straight valve

Operating Temperature

-4°F to 158°F / -20°C to 70°C

MEDIA CONTACT MATERIALS

Body Material

Brass

Shaft Gasket

O-ring package, FSI

Seat

Line Valve: PA 6.6, O₂: Polyimide (Vespe[®])

OTHER

Inlet/Outlet Connection

Line Valve: G 1/2" female

Weight

Line Valve: 1.4 lbs / 0.65 kg

Vespe[®] is registered trademark of E.I. du Pont de Nemours and Company.



D41935

TESCOM High Pressure Valve for the supply of high purity gases in laboratory gas supply lines.

Applications

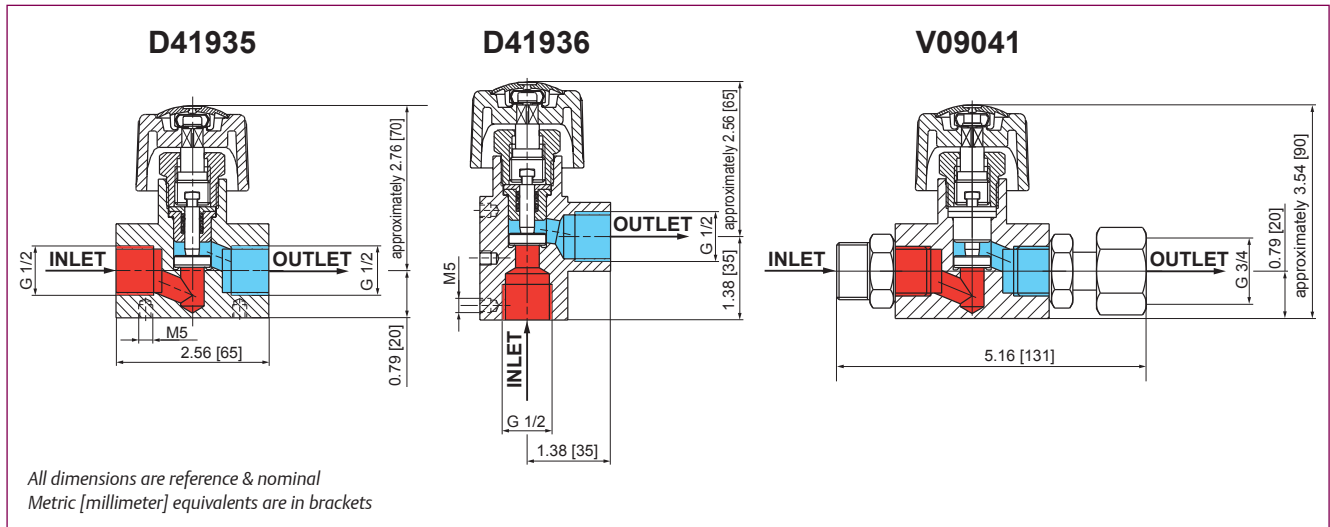
- High pressure systems
- High flow systems
- Suitable for 5.0 purity gas applications
- Used in main lines
- Used in specialty panel solutions

Features and Benefits

- No contamination of the gas due to full metal design
- Very high flows
- Reliable design
- Proven and safe design
- Long service life
- Easy to install and serviceable
- Optional colored gas code on the handknob for easy identification

HIGH PRESSURE VALVE

High Pressure Valve Drawings



High Pressure Valve Part Number Selector

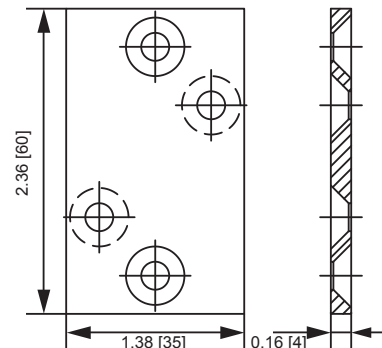
Repair Kits, Accessories & Modifications may be available for this product. Please contact TESCOM for more information.

Example for selecting a part number:

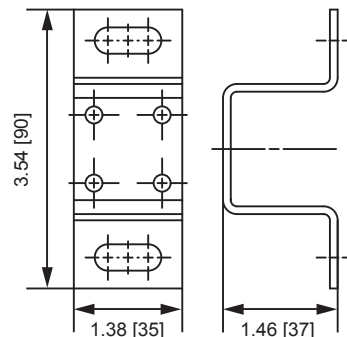
D41935	-	AO	-	00
TYPE	GASES		CONNECTIONS	
D41935 – Straight valve DN 10 V09041 – Straight valve with inlet G 3/4" and outlet G 3/4" coupling nut	AO – Oxygen, non-corrosive gases and gas mixtures with more than 20% O ₂		00 – Standard G 1/2" female	
D41936 – Angle valve DN 10 not for Oxygen and Carbon above 20 bar	AR – Non-corrosive gas mixtures		00 – Standard G 1/2" female	

Accessories

PART NUMBER	DESCRIPTION	APPLICATION
D41604	Compression fitting G 1/2" male - 8 mm	Pipe connection to HP-Line valves
D40081	Compression fitting G 1/2" male - 12 mm	Pipe connection to HP-Line valves
D44456	Adapter W 24, 32 x 1/14" male - G 1/2" male	Cylinder valve thread Nitrogen, DIN 477-1
V08489	Adapter G 1/2" male - G 3/4" male	Cylinder valve crew thread Oxygen, DIN 477-1
V08490	Adapter G 1/2" male - W 21, 8 x 1/14" male	Cylinder valve crew thread non-flammable gases, DIN 477-1
V08907	Adapter G 1/2" male - G 5/8" female 200 bar	Cylinder valve crew thread compressed air, DIN 477-1
D42556	Mounting plate set	Mounting for D41935
D42506	Mounting bracket	Mounting for D41936



D42647 MOUNTING PLATE (PART OF D42556)



D42506 MOUNTING BRACKET