



2-Way Normally Closed  
**Low Power - Peak & Hold**  
**Low Temperature Gas Shutoff Valve (DC)**  
 Stainless Steel Body • 1/4" to 1" NPT

**2/2**  
**SERIES**  
 HV427246  
 HV427371  
 HV298568

### Features

- Peak and hold design for low power consumption
- Ambient temperature range; -40°F to 125°F (-40°C to 52°C)
- Zero minimum differential pressure
- Maximum operating pressure differential up to 50 psi
- Robust design provides consistent and reliable operation
- Meets Automatic Gas Valves Z21.21, CSA 6.5 C/I Safety Shutoff standard
- Complies with ANSI/ISA-12.27.01.2003 single seal requirements
- Meets the metallurgical requirements of NACE MR-0175
- Resilient soft seating for tight shutoff
- For on-off control of fuel gas in commercial and industrial gas burners

**Fluid:** Fuel Gas

### Construction

| Valve Parts in Contact with Fluids |  |
|------------------------------------|--|
| <b>Body</b>                        | 304 Stainless Steel  |
| <b>Seals and Disc</b>              | Low Temp. NBR (1/2", 3/4")<br>Low Temp. FKM (1/4", 3/8", 1") |
| <b>Diaphragm</b>                   | Low Temp. NBR (1/2", 3/4")<br>Low Temp. HNBR (1")            |
| <b>Core Tube</b>                   | 305 Stainless Steel  |
| <b>Core and Plugnut</b>            | 430F Stainless Steel   |
| <b>Springs</b>                     | Inconel  |
| <b>Rider Ring</b>                  | PTFE   |

### Electrical

| Standard Coil and Class of Insulation | Watt Rating (DC) |            | Hold PWM Duty Cycle (@ 500-2000 Hz) | Ambient Temp. °F (°C)      | Spare Coil Family |
|---------------------------------------|------------------|------------|-------------------------------------|----------------------------|-------------------|
|                                       | Peak Watts       | Hold Watts |                                     |                            | Explosionproof    |
| H                                     | 10.6             | 0.85 ①     | 29%                                 | -40 to 125°F (-40 to 52°C) | 238514            |
|                                       | 10.6             | 1.40 ①     | 37%                                 |                            | 238514            |
|                                       | 11.6             | 0.5 ①      | 21%                                 |                            | 238914            |
| F                                     | 23.6             | 0.85 ①     | 19%                                 |                            | 501696            |

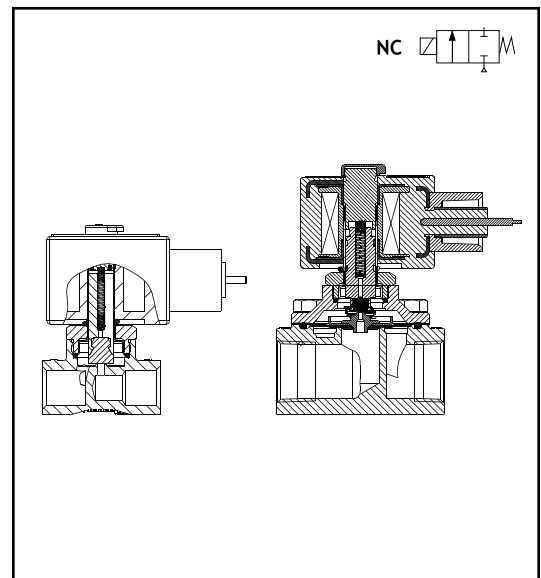
**Standard Voltages:** 12, 24VDC  
 ① Peak and hold design requires full line voltage for 0.2 to 0.5 seconds to open valve; then refer to the specified Hold PWM Duty Cycle in the above table.  
*External PWM controller required; Consult factory for additional information.*  
**IMPORTANT:** Supervisory and leakage current above .010 amp will cause improper operation.  
*Consult your local ASCO sales office for additional assistance.*

### Solenoid Enclosures

Explosionproof & Watertight, Types 3, 3S, 4, 4X, 6, 6P, 7, and 9.

### Leads

**Standard:** 72" leads



### Approvals

CSA Certified:

- 1) Solenoid (for HV427246 & HV427371 Series DC Constructions), and valve (HV298568 DC Construction) for Hazardous Locations, File 013976.
- 2) Automatic Gas Valves Z21.21, CSA 6.5 C/I Safety Shutoff, File 112872.
- 3) Standard C22.2 No. 139 "Electrically Operated Valves", File 112872.
- 4) ANSI/ISA-12.27.01.2003 Single Seal.  
*Consult factory for Canadian Registration Numbers (CRN).*  
 UL Listed Explosionproof Solenoid.  
 (for HV427246 & HV427371 Series DC Constructions)

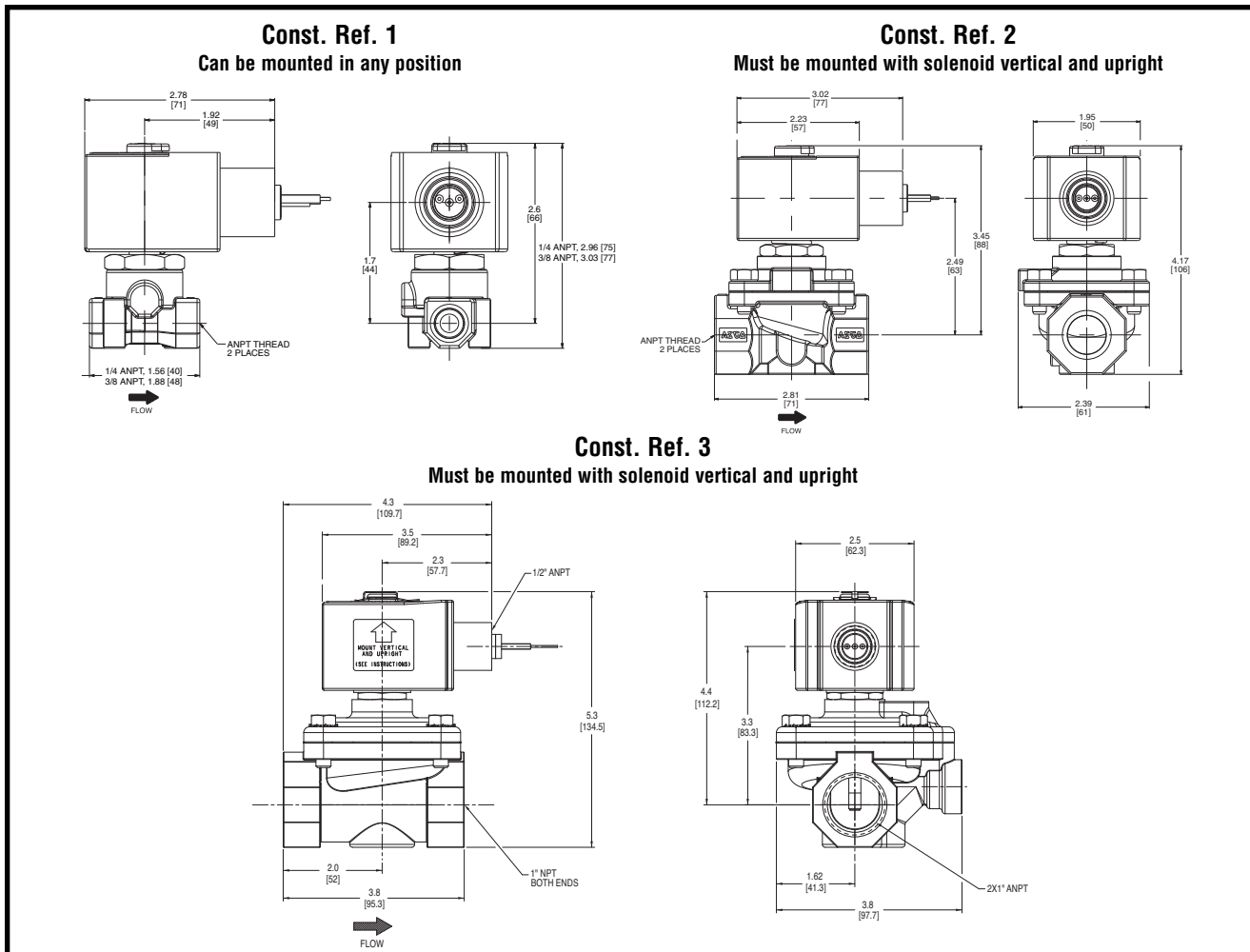
COMBUSTION

### Specifications

| Pipe Size (in)  | Orifice Size (in) | Cv Flow | Gas Capacity |           | Operating Pressure Differential (psi) ④ |      | Fluid Temp. Range °F (°C) ③ | Catalog Number | Voltage | Const. Ref. | Agency                   |                          | Wattage |
|---|-------------------|---------|--------------|-----------|---|------|-----------------------------|----------------|---------|-------------|--------------------------|--------------------------|---------|
|   |                   |         | Btu/hr. ①    | Btu/hr. ② | Min.                                    | Max. |                             |                |         |             | UL                       | CSA                      |         |
| <b>COMBUSTION (Fuel Gas) - Normally Closed (Closed when de-energized)</b> |                   |         |              |           |   |      |                             |                |         |             |                          |                          |         |
| 1/4   | 5/32              | 0.52    | 27,000       | 410,000   | 0                                       | 50   | -40 to 125°F (-40 to 52°C)  | HV427246001    | 12 VDC  | 1           | <input type="checkbox"/> | <input type="checkbox"/> | 10.6    |
|   |                   |         |              |           |   |      |                             | HV427246002    | 24 VDC  |             | <input type="checkbox"/> | <input type="checkbox"/> |         |
| 3/8   | 7/32              | 0.82    | 44,000       | 527,000   | 0                                       | 35   | -40 to 125°F (-40 to 52°C)  | HV427246101    | 12 VDC  | 2           | <input type="checkbox"/> | <input type="checkbox"/> | 11.6    |
|   |                   |         |              |           |   |      |                             | HV427246102    | 24 VDC  |             | <input type="checkbox"/> | <input type="checkbox"/> |         |
| 1/2   | 5/8               | 4.3     | 231,900      | 3,529,000 | 0                                       | 50   | 14 to 125°F (-10 to 52°C)   | HV427371001    | 12 VDC  | 2           | <input type="checkbox"/> | <input type="checkbox"/> | 11.6    |
|   |                   |         |              |           |   |      |                             | HV427371002    | 24 VDC  |             | <input type="checkbox"/> | <input type="checkbox"/> |         |
| 3/4   | 5/8               | 4.5     | 242,600      | 3,693,000 | 0                                       | 50   | 14 to 125°F (-10 to 52°C)   | HV427371101    | 12 VDC  | 2           | <input type="checkbox"/> | <input type="checkbox"/> | 11.6    |
|   |                   |         |              |           |   |      |                             | HV427371102    | 24 VDC  |             | <input type="checkbox"/> | <input type="checkbox"/> |         |
| 1   | 1                 | 13      | 701,000      | 8,268,480 | 0                                       | 50   | 14 to 125°F (-10 to 52°C)   | HV298568011    | 12 VDC  | 3           | <input type="checkbox"/> | <input type="checkbox"/> | 23.6    |
|   |                   |         |              |           |   |      |                             | HV298568012    | 24 VDC  |             | <input type="checkbox"/> | <input type="checkbox"/> |         |

○ = Safety Shutoff Valve. □ = UL Listed Hazardous Location, solenoid only. ① 1" W.C. Drop @ 2" W.C. Inlet Pressure, 1,000 Btu/cu.ft. or more, 0.64 Specific Gravity Gas.  
 ② 10% of MOPD pressure drop @ 25% of MOPD inlet pressure, 1,000 Btu/cu.ft. or more, 0.64 Specific Gravity Gas (based on CSA 6.5).  
 ③ Dewpoint - To prevent freezing of condensed water vapor in the valve, the fuel gas must have a dewpoint at least 10°C (18°F) below the minimum temperature to which any point of the system will be exposed.  
 ④ Safe Working Pressure (SWP); 100 psi. is the line or system pressure to which the valve may be subjected without being damaged. To ensure proper operation, the Maximum Operating Pressure Differential (MOPD) stamped on nameplate must be adhered to.

### Dimensions: inches [mm]



COMBUSTION