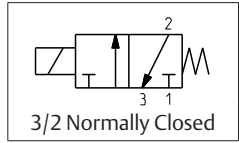
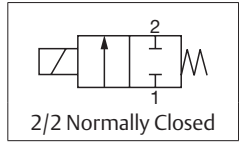


ASCO™ MINIATURE SOLENOID VALVES

GENERAL SERVICE VALVES

- Series 090 solenoid valves are designed for use with air and inert gases
- Flow to size ratio ideal for portable oxygen therapy applications
- Compact light-weight architecture and low power consumption make them ideal for portable medical devices
- Exceptional service lifetime over 50 million cycles that increases OEM instrument reliability
- Meets all relevant CE directives, and is RoHS compliant
- Typical applications include:
 - Oxygen Delivery
 - Compression Therapy
 - Gas Analyzers



Fluids*	Temperature Range	Seal Materials*
Air or Inert Gas (1)	0 °C to 60 °C (32 °F to 140 °F)	FKM

(1) filtered at 10µm

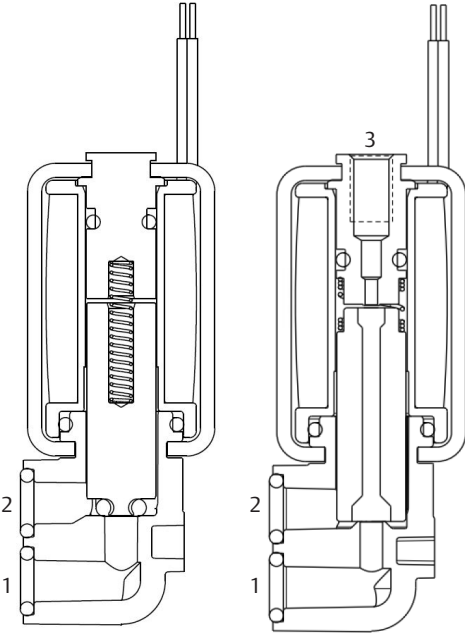
* Ensure that the compatibility of the materials in contact with the fluids is verified.

NOTE: Additional constructions and options are available including alternate elastomers and orifice sizes. Minimum quantities apply.

General Valve Information	
Body Material	PBT
Other Wetted Materials	FKM, Stainless Steel
Response Time	<10 ms
Vacuum Rating	-0.9 bar (13 psi)

Electrical Characteristics	
Duty Cycle	2 way: Intermittent, must spike and hold noted below 3 way: continuous
Spike and Hold	Spike at nominal voltage for 500 – 5000 ms max. Hold at 50% of nominal voltage.
Connector	Lead wires
Connector Specification	28 AWG PVC insulated
Standard Voltages*	12 VDC, 24 VDC
Power Rating	2 way: 4.3 W Inrush, 1.0 W Hold 3 way: 2.5 W Inrush, 0.6 W Hold

* Other voltages on request



2/2 NC
Pad Mount

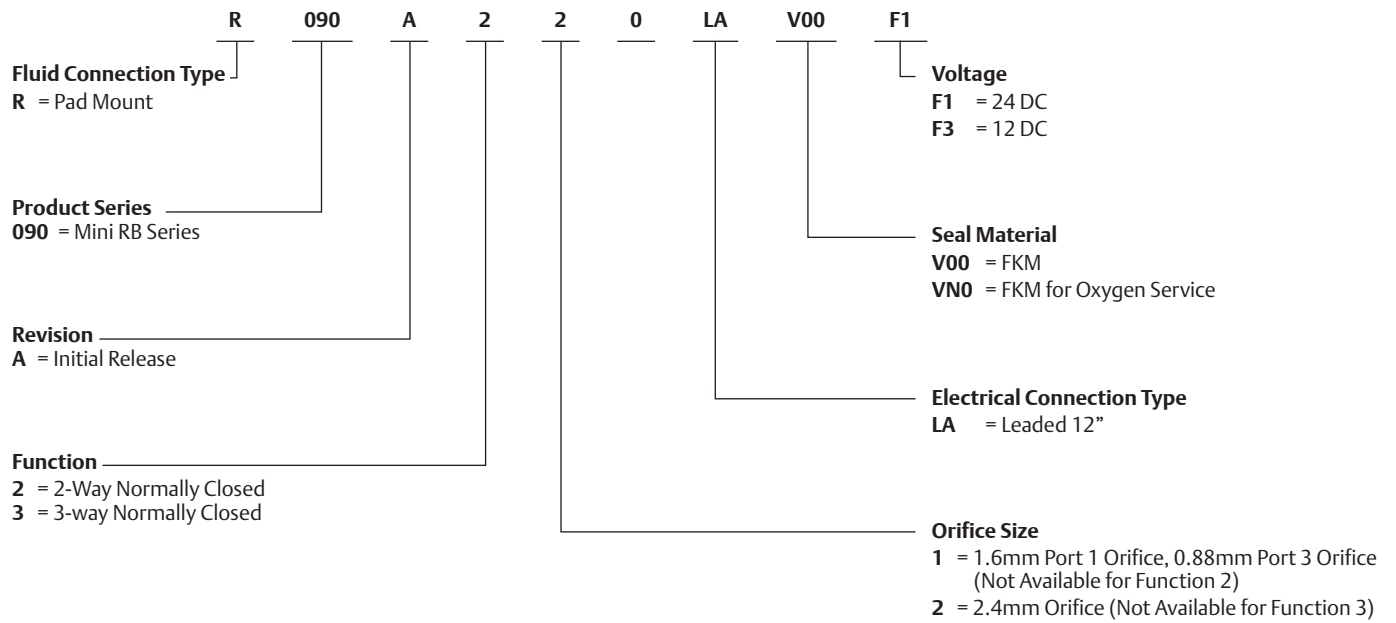
3/2 NC
Pad Mount

Insulation Class	Coil Insulation	Ambient Temperature Range	Electrical Connection
	°C (°F)	°C (°F)	
F	155 (311)	0 to 60 (32 to 140)	28 AWG PVC insulated

Specifications											
Connection	Orifice Size mm (inches)	Flow Coefficient				Operating Pressure bar (psi)		Power Rating (W)		Catalog Number	
		Kv (m ³ /h)		Cv		min.	max.	Inrush	Hold		
		Port 1	Port 3	Port 1	Port 3	Port 1	Port 3	Air, inert gas			
2/2 NC - Normally Closed											
Pad Mount	2.4 (0.093)	0.183	0.072	-0.9 (-13)	1.4 (20)	4.3	1.0	R090x220LAVx0Fx			
3/2 NC - Normally Closed											
Pad Mount	Port 1 1.6 (0.063)	Port 3 0.88 (0.035)	0.066	0.033	0.034	0.017	0 (0)	2.07 (30)	2.5	0.6	R090x310LAVx0Fx

01096GB-2022-R02

How to Order



Options

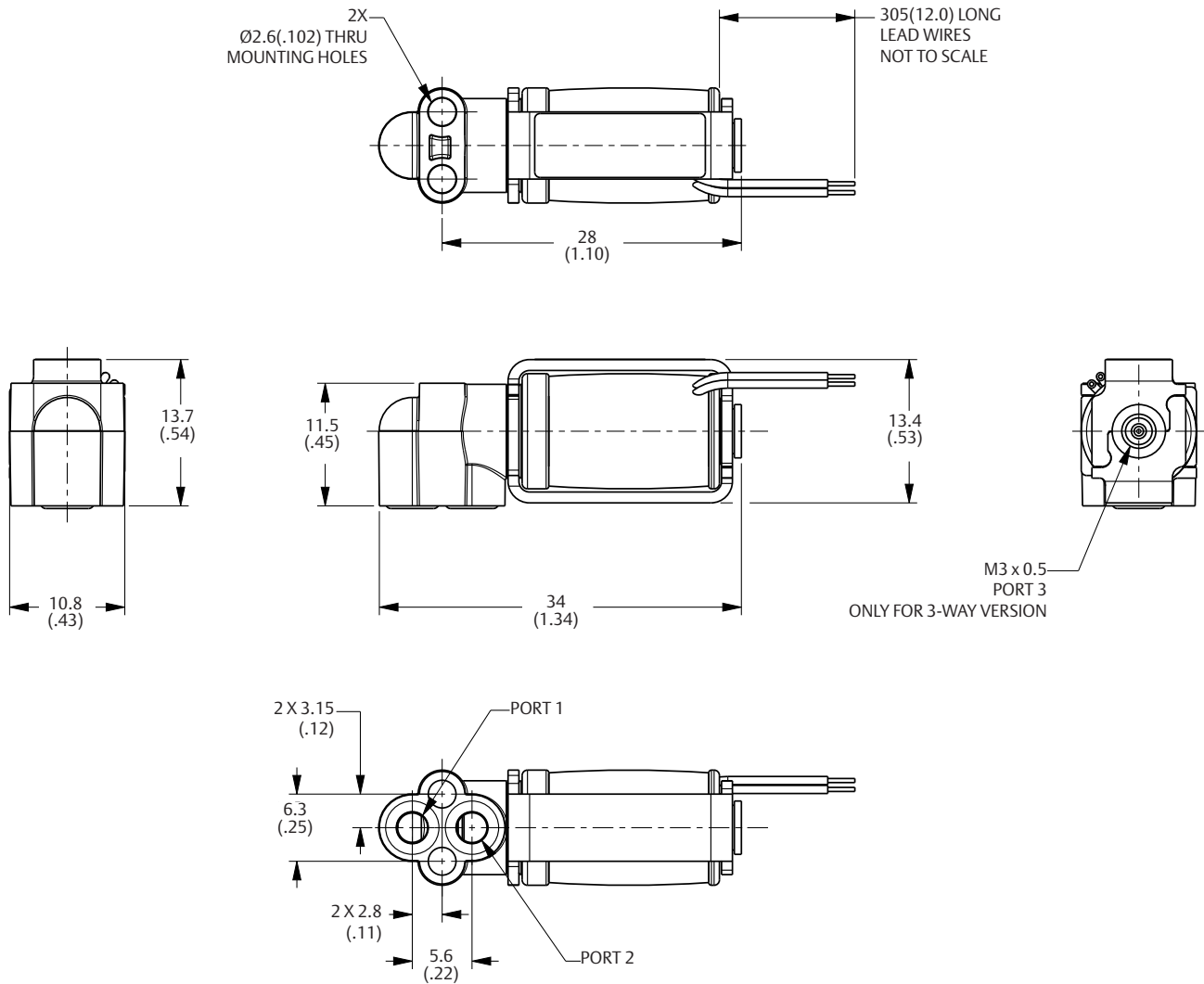
- Other seal materials available on request
- Other voltages and electrical connections available

Installation

- The solenoid valves can be mounted in any position without affecting operation.

Dimensions: mm (inches)

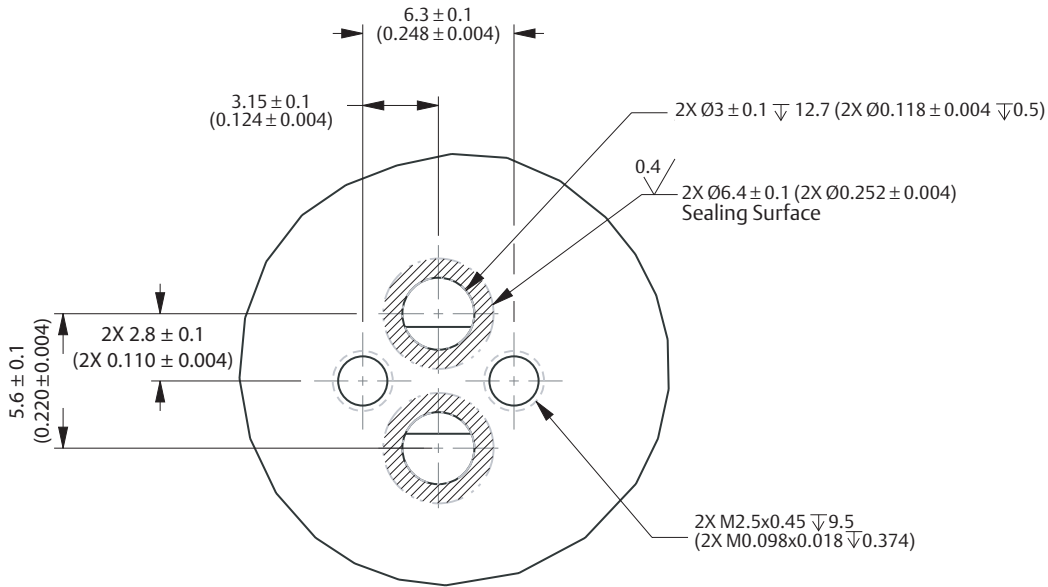
2-Way and 3-Way, Pad Mount Solenoid Valve



01096GB-2022-R02

Dimensions: mm (inches)

Mounting Pattern for Pad Mount Solenoid Valve



01096GB-2022-R02