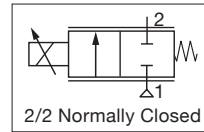


ASCO™ MINIATURE SOLENOID VALVES

PROPORTIONAL VALVES, PRECIFLOW 15 mm

- Preciflow solenoid valves are designed to proportionally control the flow of air and inert gases by varying the electrical input signal to the coil
- Low hysteresis (typ. < 3%), excellent repeatability (typ. < 1%), and high sensitivity (typ. < 1%) make these valves ideal for high precision flow control
- Compact frictionless architecture saves valuable space in analytical and medical instrumentation
- Valves do not require a minimum operating pressure, and are well-suited for vacuum operation
- Power consumption as low as 1 W to meet the most stringent instrument power requirements
- Meets all relevant CE directives, and is RoHS compliant
- Typical applications include:
 - Respiratory Therapy
 - Gas Chromatography
 - Blood Pressure Monitoring
 - Anesthesia Delivery



Fluids*	Temperature Range	Seal Materials*
Air, Inert Gas ¹	0 °C to 50 °C (32 °F to 122 °F)	FKM

* Ensure that the compatibility of the materials in contact with the fluids is verified.
¹ Filtration - M5 or pad mount version: 5µm - 1/8 : 50µm

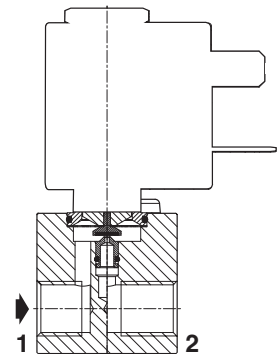
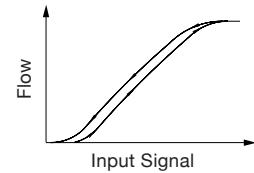
General Valve Information	
Body	Brass or PVDF
Others	Brass, Stainless Steel

Electrical Characteristics	
Coil Insulation Class	F
Connector	Spade plug; cable Ø4-6mm (0.157 - 0.236in), Ø6-8mm (0.236 - 0.315in), Ø6-10mm (0.236 - 0.394in)
Connector Specification	DIN 43650, 9.4mm (0.370in), industry standard C (type 01) DIN 43650, 11mm (0.433in), industry standard B (type 02) ISO 4400/EN 175301-803, form A (type 03)
Electrical Safety	IEC 335
Electrical Enclosure Protection	Molded IP65 (EN 60529)
Standard Voltages ²	12 VDC, 24 VDC
Voltage Regulation	0-12 VDC, 0-24 VDC; Pulse-width Modulation (1000Hz)
Flow Regulation Characteristics	Hysteresis typ. < 3%; Repeatability typ. < 1%; Sensitivity typ. < 1%

² Other voltages on request

Voltage	Max. Operating Current	Power Ratings			Ambient Temperature Ranges	Type ³	
		Inrush	Holding	Hot/Cold			
V	mA	VA	VA	W	W	°C (°F)	
12	85	-	-	-	1	0 to 50 (32 to 122)	01
	340				4		02
	400				5		03
24	40	-	-	-	1	0 to 50 (32 to 122)	01
	170				4		02
	230				5		03
	380				9		

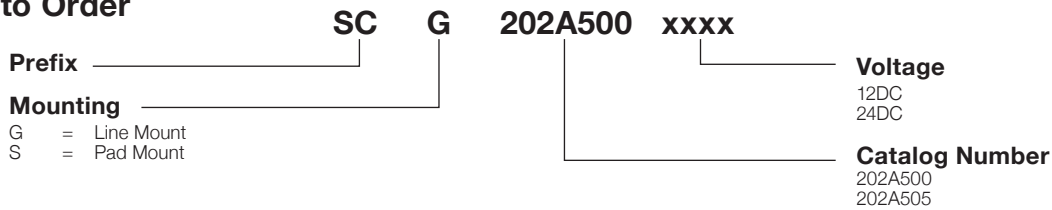
³ Refer to the dimensional drawings on the following page



01029GB-2020-R01

Specifications											
Connection	Orifice Size	Flow Coefficient		Operating Pressure bar (psi)		Power Rating	Catalog Number				
				min.	max.		Threaded Body		ISO 15218 (CNOMO, size 15) Interface		
							air, inert gas	W		brass	PVDF
M5 or Pad Mount	0.1 (0.0040)	0.0003	0.00035	-0.9 (-13)	10 (145)		1	SCG202A500	-	SCS202A505	
	0.2 (0.0079)	0.0012	0.0014				1	-	SCG202A501	-	SCS202A506
	0.4 (0.0157)	0.0048	0.0055				4	-	SCG202A502	-	SCS202A507
	0.6 (0.0236)	0.0096	0.0111				4	-	SCG202A503	-	SCS202A508
	0.8 (0.0315)	0.018	0.021				4	-	SCG202A504	-	SCS202A509
G1/8	0.8 (0.0315)	0.018	0.021	-0.9 (-13)	10 (145)		5	SCG202A510	-	-	
	1.2 (0.0472)	0.041	0.047				5	SCG202A511	-	-	
	1.6 (0.0630)	0.071	0.082		8 (116)		5	SCG202A512	-	-	
	2.0 (0.0787)	0.096	0.111		6 (87)		5W (12V) / 9W (24V)	SCG202A513	-	-	

How to Order



Options

- Digital control module ControlD for DIN EN 50022 rail mounting (for more information see specifications on page 185)
- Electronic control units for proportional control
- Other materials, connections, and coils available on request
- Plug with visual indication and peak voltage suppression or with cable length of 2m (78.7in)

Installation

- The valves can be mounted in any position without affecting operation
- Pipe connection identifier is: G = G (ISO 228/1)

ASCO™ MINIATURE SOLENOID VALVES

PROPORTIONAL VALVES, PRECIFLOW 15 mm

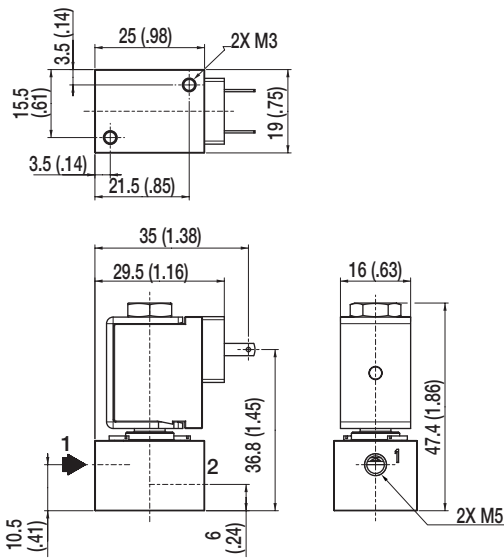
Dimensions: mm (inches)

Type 01

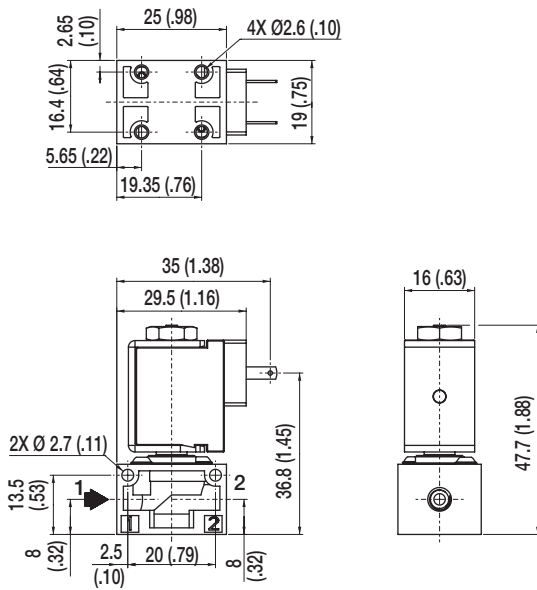
Prefix "SC" solenoid, epoxy molded
IEC 335/DIN 43650, 9.4mm (0.37in)
IP65



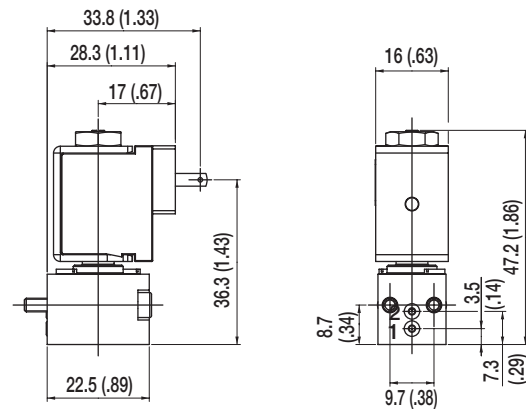
SCG202A500



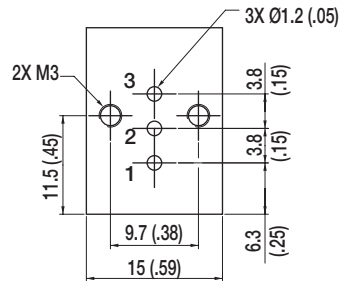
SCG202A501/A502/A503/A504



SCS202A505/A506/A507/A508/A509
(Version with ISO 15218 interface for installation on single subbase M5)



ISO 15218 Mounting Pattern



01029GB-2020-R01

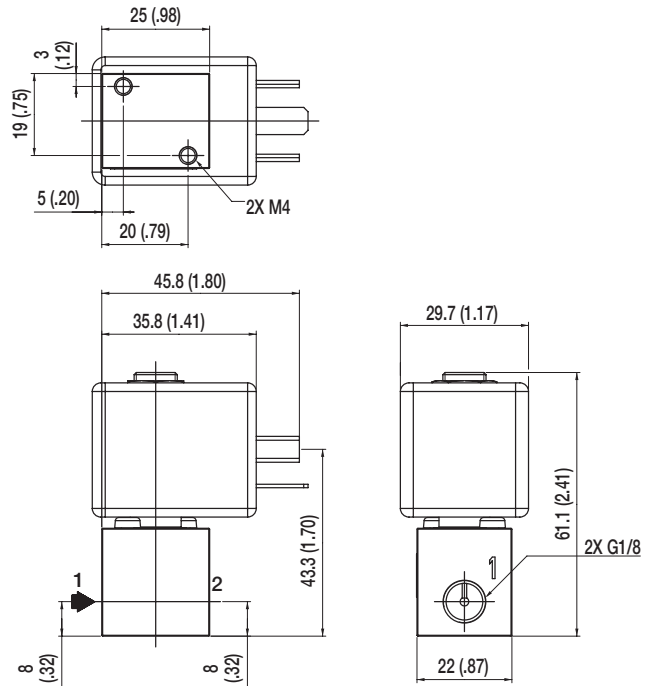
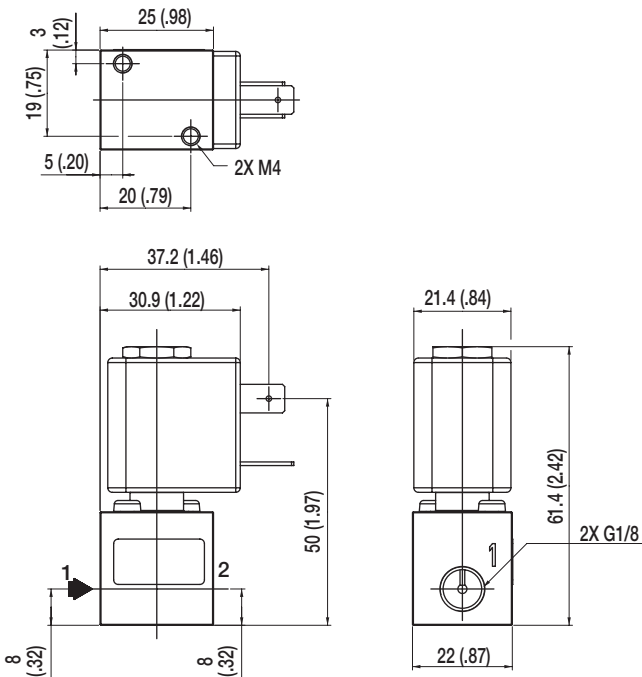
Dimensions: mm (inches)

Type 02-03 Prefix "SC" solenoid, epoxy molded
IEC 335/DIN 43650 or ISO 4400
IP65



Type 02 : SCG202A510/A511/A512
Type 03 : SCG202A513
With 22 mm Coil Version

Type 03 : SCG202A513_24V
With 30 mm Coil Version



Single Subbase M5 Aluminum or brass

88263002 - 30300001

