

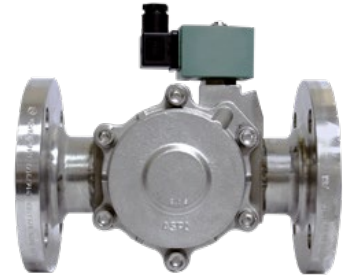
Solenoid Valves

Pilot Operated, 316 Stainless Steel Body & Flange
DN15 – DN50

Series
210

Features

- 2 way on-off valves for the control air, inert gas, water, oil and other gases/liquids compatible with the sealing material used
- 316SS body for corrosive environment
- 316SS DIN EN 1092-1 (ISO 7005) or ANSI B16.5(Class 150LB) flange
- Explosion proof option



General

Fluids(*): Air, Inert Gas, Water, Oil

Maximum Viscosity: 65 cSt (mm²/s)

Response Time: 40 - 120 ms (1" to 2")

Temperature range (TS): -20°C to +85°C

* Ensure that compatibility of materials in contact with fluids is verified

Construction

Stainless steel body

Body: SS 316

Seals, Diaphragm and Disc: NBR

Piston: Stainless steel

Core tube: Stainless steel

Core and Plugnut: Stainless steel

Springs: Stainless steel

Seat: Stainless steel

Shading coil: Silver

Flange: DIN EN 1092-1 (ISO 7005) or ANSI B16.5(Class 150LB)

Electrical characteristic

Standard Voltage(*): DC(=): 12V; 24V; 48V
AC(-): 24V/50Hz; 48V/50Hz; 110V/50 Hz;
120V/60 Hz; 230V/50 Hz; 240V/60 Hz

* Other voltages available when required.

Solenoid Valves

Pilot Operated, 316 Stainless Steel Body & Flange
DN15 – DN50

Series
210

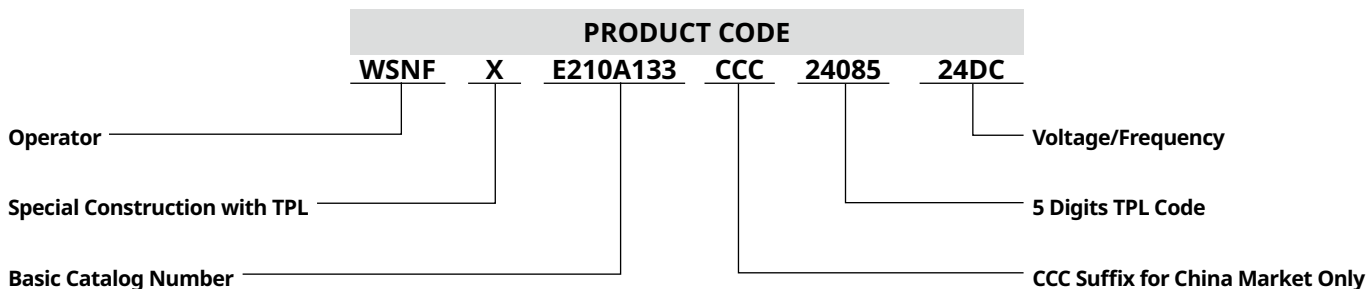
Specifications

Pipe Size	Orifice Size (mm)	Flow Coefficient - Kv (m ³ /h)	Operating Pressure Differential(bar)						Coil & Enclosure Option				Power Coil (W)		Catalog Number 316 Stainless Steel	Option			TPL		Dimensions/Type ⁽⁴⁾
			Max. (PS)						Class H Coil#	WSNF/ ⁽¹⁾ NF	WSNFET/ ⁽¹⁾ NFET	WS/WSET	~	=		FPM	EPDM	Manual Operator (MO)	24085 ⁽²⁾	24086 ⁽³⁾	
			Min.	Air*	Water*	Oil*	~	=											~	=	
NC - Normally Closed																					
DN15	16	3.4	0	16	16	16	16	16	-	●	●	●	●	16.7	16.8	SCXE210C487	V	E	●	●	01D
DN20	16	3.9	0	16	16	16	16	16	-	●	●	●	●	16.7	16.8	SCXE210C488	V	E	●	●	02D
DN25	25	9.6	0	16	16	16	16	16	10	●	●	●	●	15.4	23	SCXE210D489	V	E	-	●	03D
DN25	25	11.6	0.7	16	16	16	16	-	-	●	●	●	●	16.7	23	SCXE210B078	V	-	●	●	04P
DN40	32	19.3	0.35	12	12	12	12	12	12	●	●	●	●	16.7	19.7	SCXE210A127	V	E	●	●	05D
DN50	44	37	0.35	16	16	16	16	16	16	●	●	●	●	16.7	19.7	SCXE210A129	V	E	●	●	06P
NO - Normally Open																					
DN15	16	2.6	0	16	16	16	16	10	10	●	●	●	●	10.5	23	SCXE210B430	V	E	-	●	07D
DN20	16	2.6	0	16	16	16	16	10	10	●	●	●	●	10.5	23	SCXE210B438	V	E	-	●	08D
DN40	32	19.3	0.35	9	9	9	9	9	9	●	●	●	●	15.4	16.8	SCXE210A132	V	E	-	●	09D
DN50	44	37	0.35	9	9	9	9	9	9	●	●	●	●	15.4	16.8	SCXE210A133	V	E	-	●	10P

(1) Need add suffix "CCC" when selling to China
 (2) TPL 24085: 316SS Body with 316SS DIN EN 1092-1(ISO 7005) Flange
 (3) TPL 24086: 316SS Body with 316SS ANSI B16.5(Class 150LB) Flange
 (4) D: diaphragm construction; P: piston construction
 ● Available
 * Ensure the compatibility of materials in contact with fluid is verified.
 # For 16.7W AC, 23W DC use "HB", 19.7W DC use "HF", 10.5W&15.4W AC, 16.8W DC use "HT".

Ordering Information

A valve supplied with the explosion proof operator will be identified with prefix "NF" or "WSNF" before the catalogue number.



Installation

- Installation/Maintenance instructions are included with each valve
- The solenoid valves can be mounted in any position without affecting operation
- The operator can be rotated 360 degrees to select the most favorable position for cable entry

Spare Part Kits

Basic Codes	Spare parts kits	
	AC	DC
SCE210C487/C488	C302328	C326548
SCE210D489	C302329	C326549
SCE210B078	C302281	C302380
SCE210A127	C325260	C325261
SCE210A129	C325262	C325263
SCE210B430/B438	C326553	C326550
SCE210A132	C325266	C325267
SCE210A133	C325268	C325269

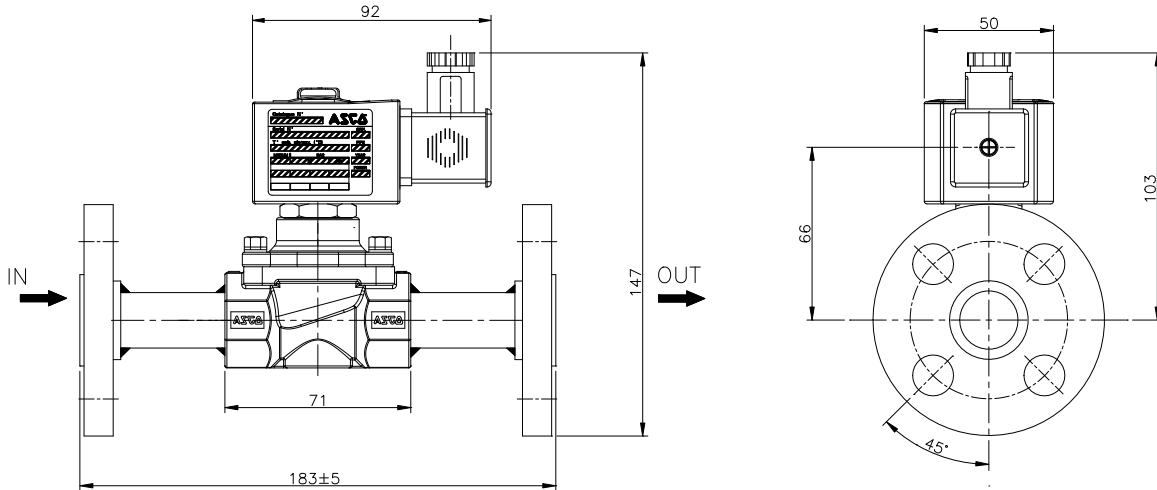
Solenoid Valves

Pilot Operated, 316 Stainless Steel Body & Flange
DN15 – DN50

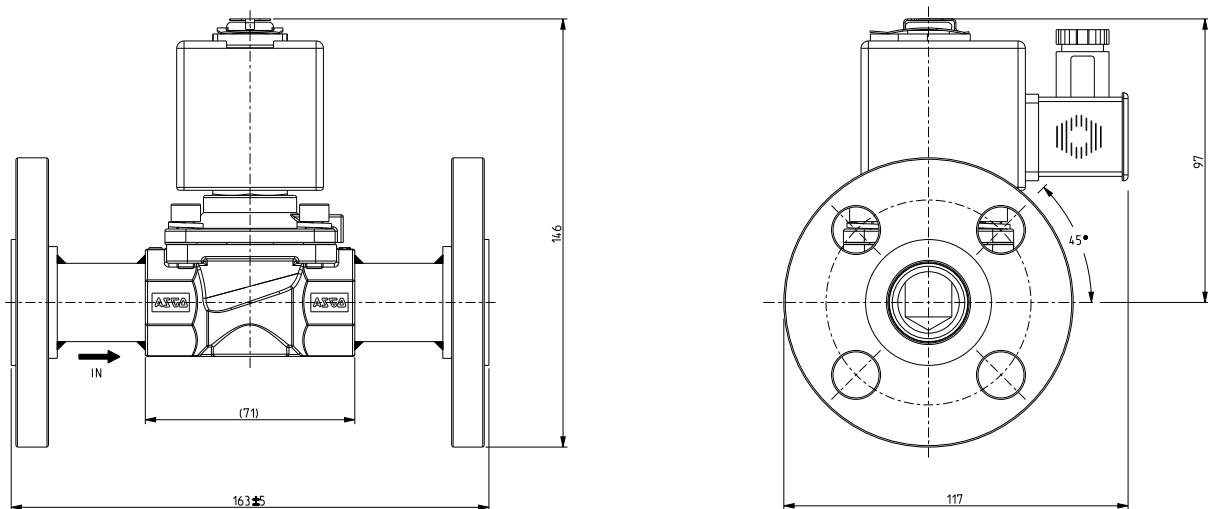
Series
210

Dimensions: mm

Type 1



Type 2



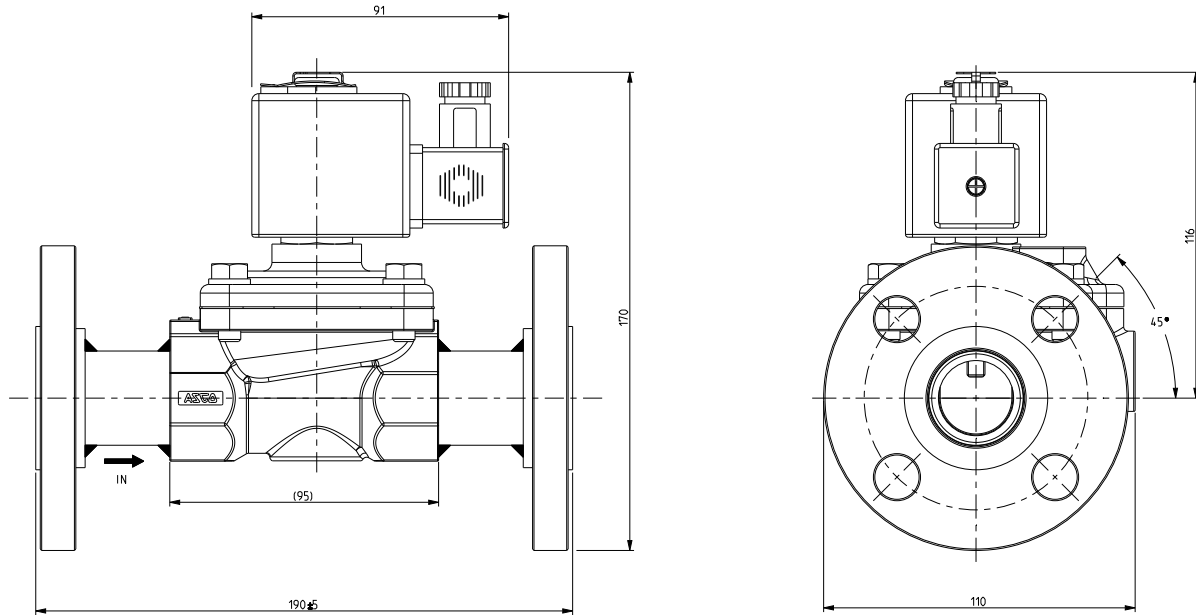
Solenoid Valves

Pilot Operated, 316 Stainless Steel Body & Flange
DN15 – DN50

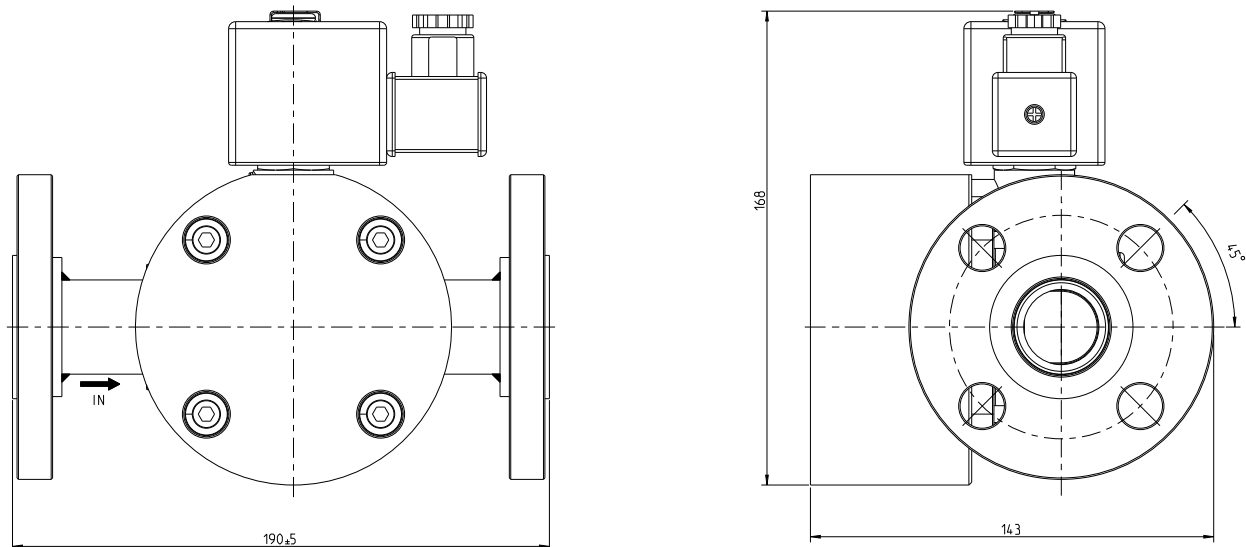
Series
210

Dimensions: mm

Type 3



Type 4



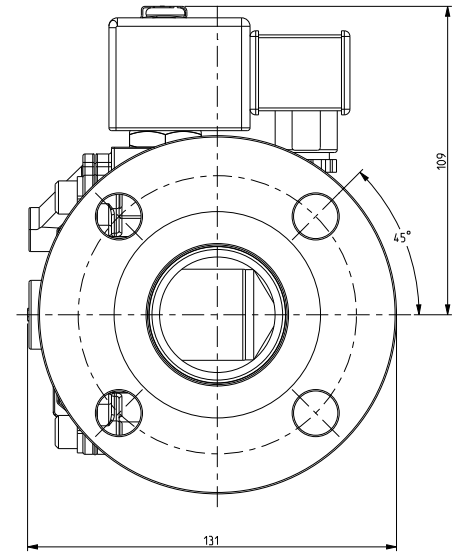
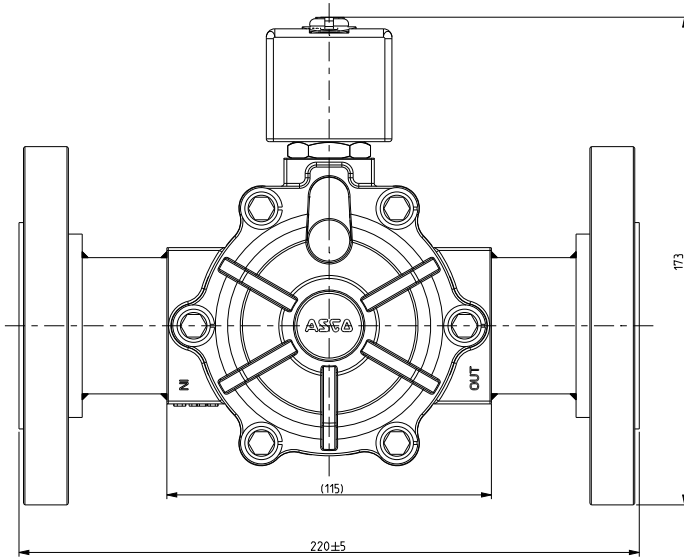
Solenoid Valves

Pilot Operated, 316 Stainless Steel Body & Flange
DN15 – DN50

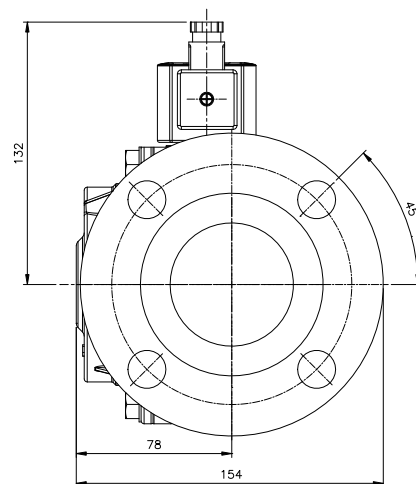
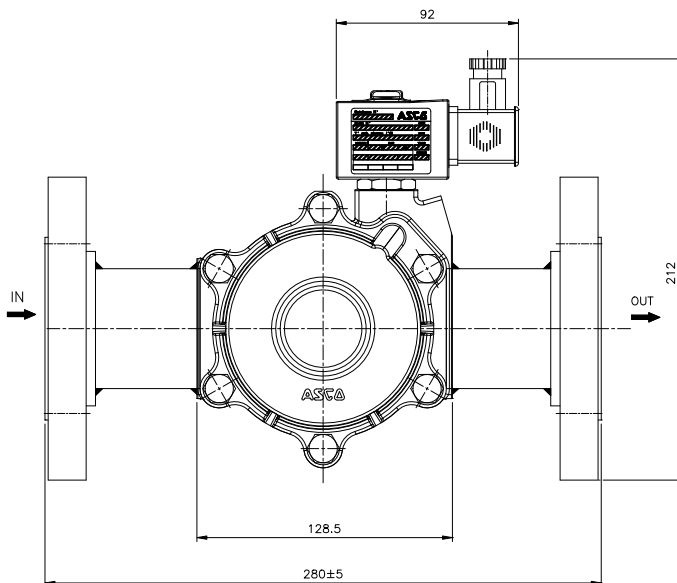
Series
210

Dimensions: mm

Type 5



Type 6



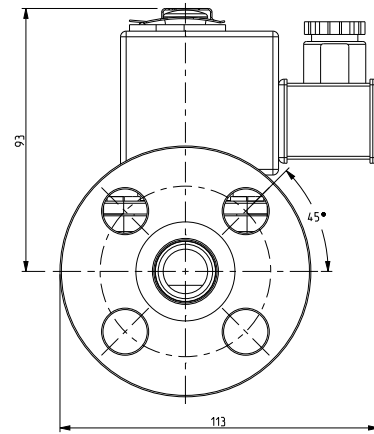
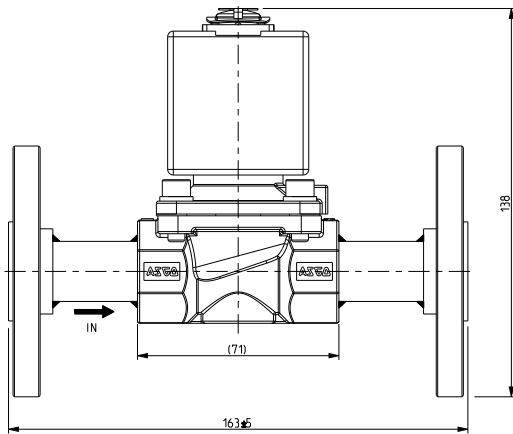
Solenoid Valves

Pilot Operated, 316 Stainless Steel Body & Flange
DN15 – DN50

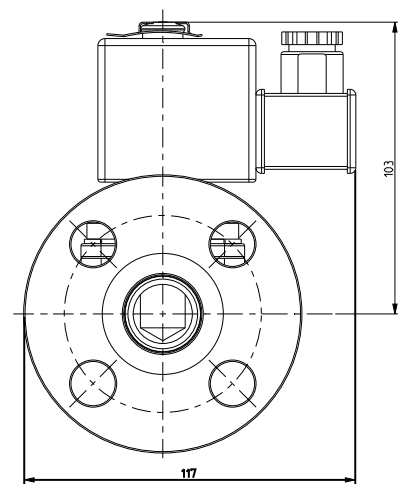
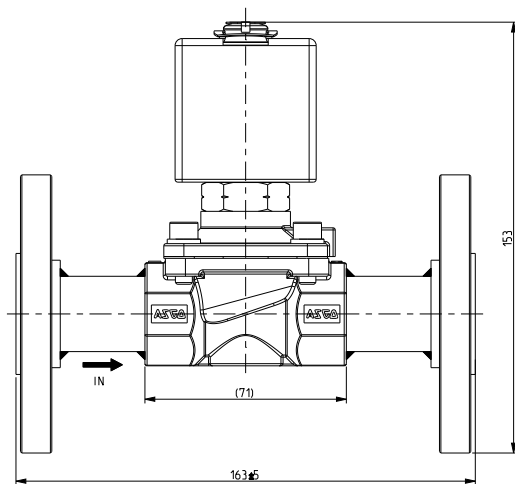
Series
210

Dimensions: mm

Type 7



Type 8



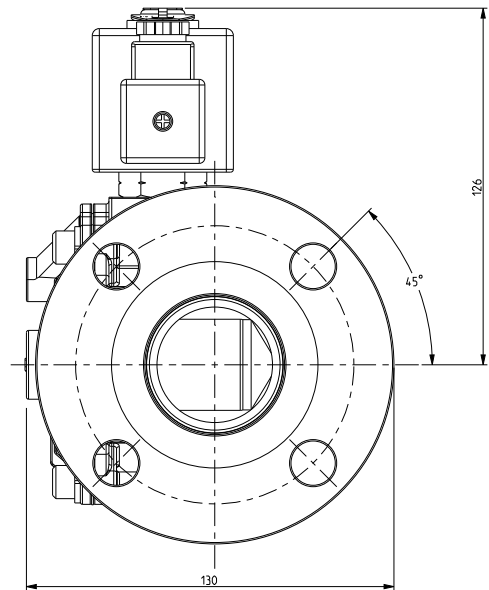
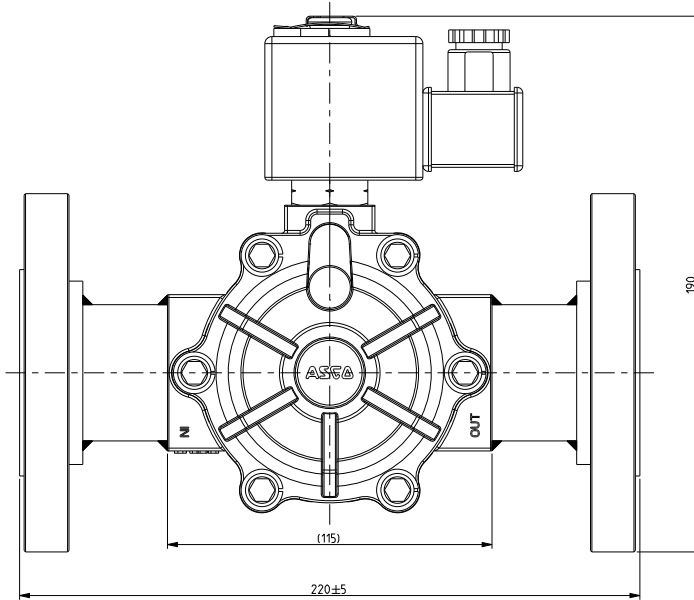
Solenoid Valves

Pilot Operated, 316 Stainless Steel Body & Flange
DN15 – DN50

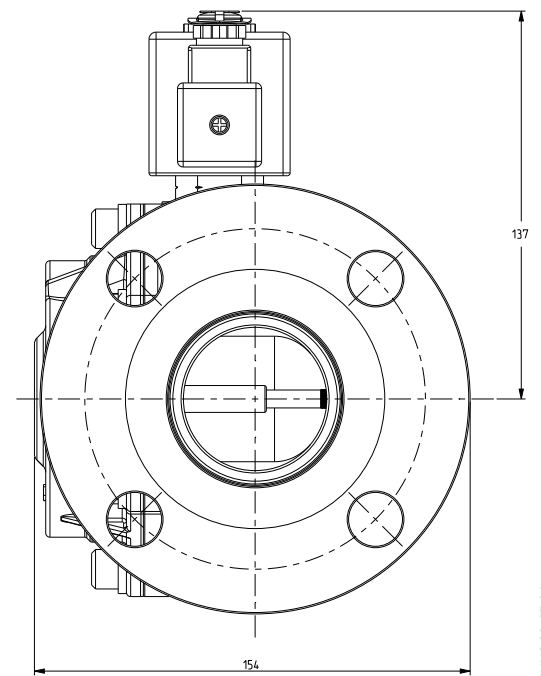
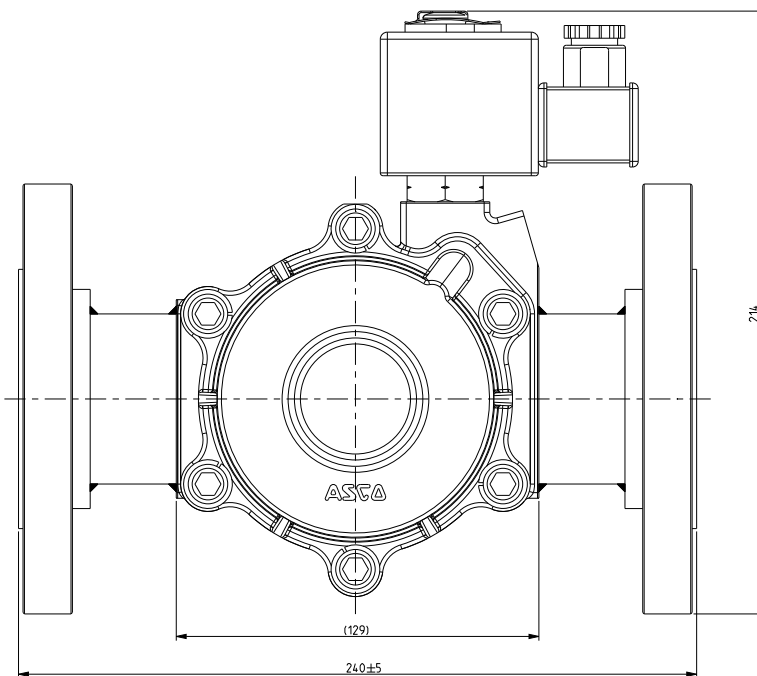
Series
210

Dimensions: mm

Type 9



Type 10



TR000640ENUS-02_07-24
Availability, design and specifications are subject to change without notice.
© 2024 Emerson Electric Co. All rights reserved.