

# ASCO™ Pulse Valves

Integral pilot, threaded body 1 1/2" to 2 1/2"

Series  
353

## Features

- The diaphragm pulse valves are especially designed for dust collector service applications, combining high flow, long life and extremely fast opening and closing to produce reliable and economical operation
- The high quality diaphragms are reinforced and wear resistant to guarantee a long operating life, even under harsh conditions
- Various optional waterproof and explosionproof solenoids for use in potentially explosive atmospheres

## General Valve Information

Differential pressure (PS) 0.35 - 8.5 bar [1 bar = 100kPa]  
Ambient temperature range -20°C ~ +85°C

Fluids(*)	Temperature Range(TS)	Diaphragm(*)
Air	-20 to 85°C	Chloroprene(default for 1.5" ~ 2.5")
	-40 to 85°C	Hytrek (tpl 17808 for 1.5"~ 2.5")

## Materials in Contact with Fluid

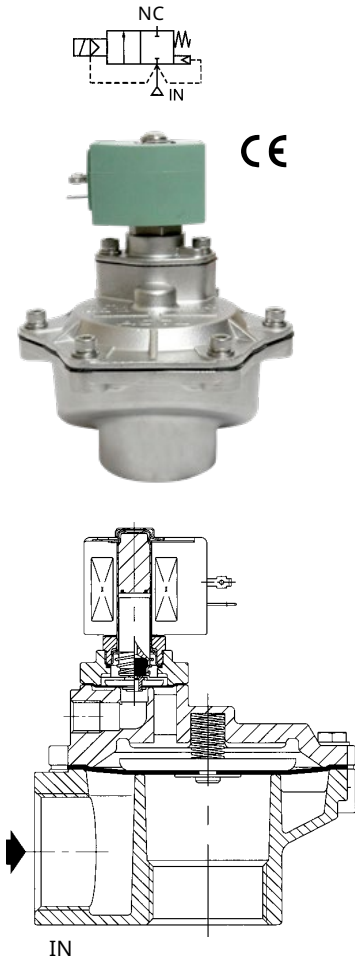
(\*) Ensure that the compatibility of the fluids in contact with the materials is verified

Body	AISI316
Core tube	Stainless steel
Core and plugnut	Stainless steel
Core spring	Stainless steel
Sealings & disc	NBR
Diaphragm	Chloroprene
Coil insulation class	F
Connector	Spade plug (cable Ø 6 - 10 mm)
Connector specification	ISO4400
Electrical safety	IEC335

## Electrical Characteristics

Standard voltages DC (=): 24V  
(Other voltages and 60 Hz on request) AC (~): 24V/50; 110V/50, 120V/60; 220V/50, 240V/60

	Port Size	Coil Code	Coil Type	Nominal Power Ratings			Protection	
				Inrush	Holding			Hot/Cold
				(VA)	(VA)	(W)		(W)
SC	1.5"~2.5"	238613-059	MXX FT	50	25	10.1	IP65	
	1.5"	238713-006	MXX FT			11.6		
	2"~2.5"	238613-059	MXX FB			22.6		



## Specifications

Pipe Size (in)	Orifice Size	Revision	Flow Coefficient Kv		Operating Pressure Differential(Bar)		Prefix Optional Solenoids			Catalog Number	
	(mm)		(m <sup>3</sup> /h)	(l/min)	Min.	Max.(PS)		SC	NF/WSNF	EF/VCEF	Stainless
						Air					
						~	=				
<b>Threaded pipe connection</b>											
1 1/2"	52	D	44	733	0.35	8.5		•		G353D134	
2"	66		77	1290						G353D135	
2 1/2"	66		92	1540						G353D136	
1 1/2"	52	G	44	768	0.35	8.5	•		•	G353G134	
2"	66		77	1290						G353G135	
2 1/2"	66		92	1540						G353G136	

TPL:17808 is available for low temperature application (-40°C) range from 1.5" to 2.5"

## Options

- Waterproof enclosure with embedded screw terminal coil according to protection class IP67
- Explosionproof solenoids for hazardous locations according to ATEX and CCC

## Installation

- The valves can be mounted in any position without affecting operation
- Threaded pipe connection is G (ISO 228/1)
- The use of the rubber gaskets as sealing members will allow a slight misalignment in piping when using compression fittings
- Other pipe threads are available on request
- Installation/maintenance instructions are included with each valve
- Spare parts kits are available

## Spare Parts Kit

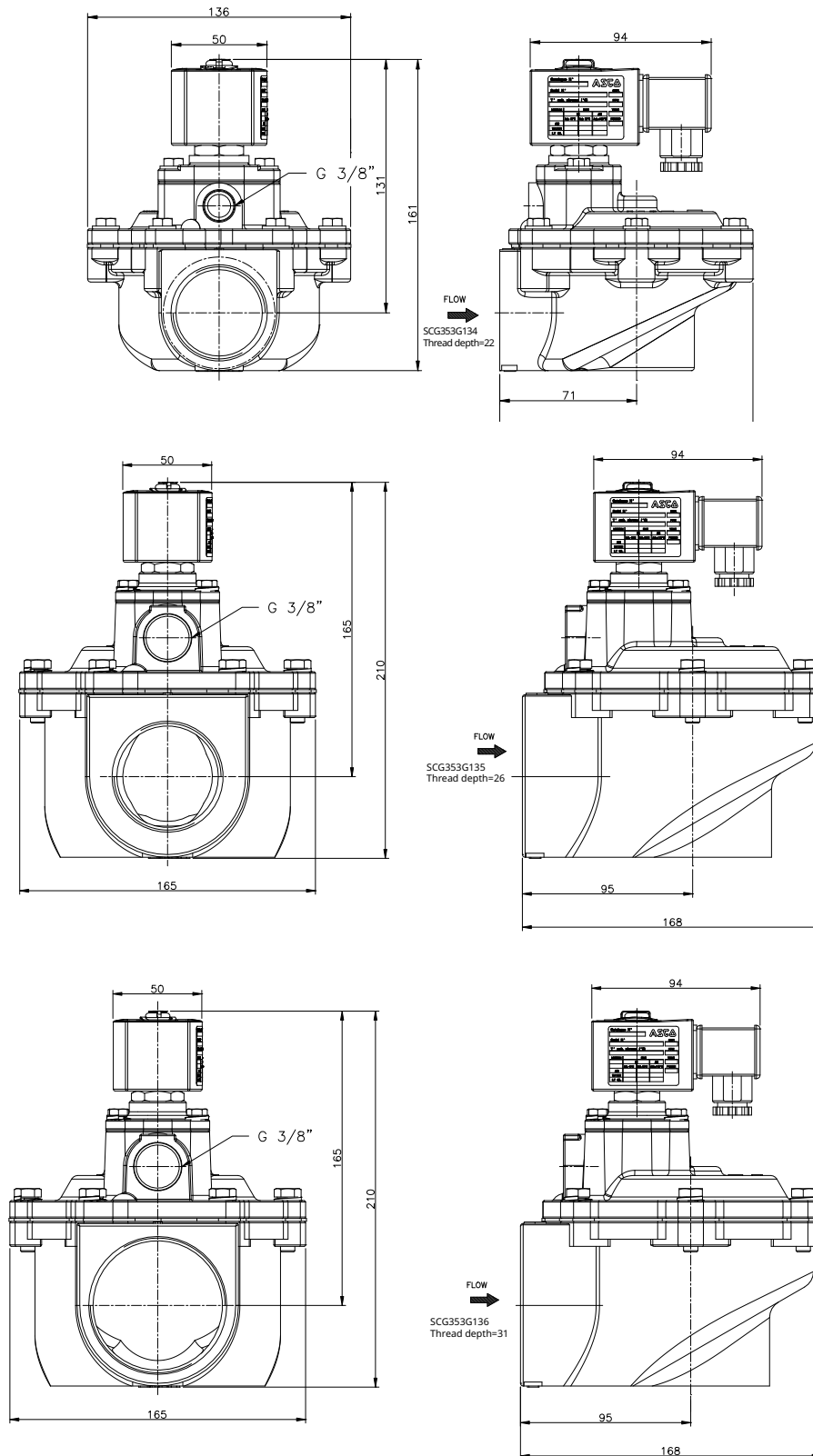
Part Number	Kit No.
SCG353G134	C140749
SCG353G135	C140742
SCG353G136	

# ASCO™ Pulse Valves

Integral pilot, threaded body 1 1/2" to 3" or compression fitting Ø 1 1/2"

Series  
353

## Dimensions: mm



TR000213ENUS-05\_08-24  
Availability, design and specifications are subject to change without notice.  
© 2024 Emerson Electric Co. All rights reserved.