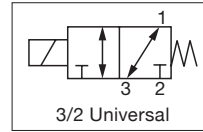


# ASCO™ MINIATURE SOLENOID VALVES

## ROCKER MECHANISM, FLUID ISOLATION VALVES

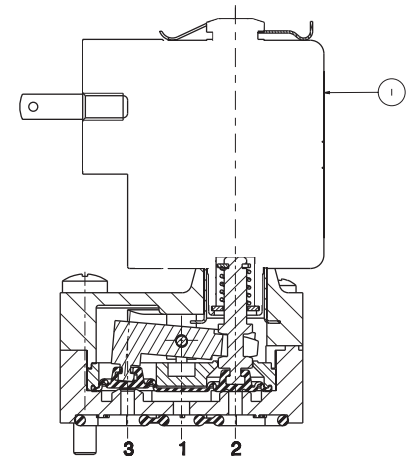
- Rocker isolation valves are designed for use with neutral or highly aggressive liquids in analytical instrumentation
- Special rocker mechanism, combined with a separating diaphragm, prevents heat transfer to the fluid and eliminates the sticking effect of the valve seat
- Hermetic separation of control mechanism prevents particulate contamination caused by friction of moving parts, assuring maximum purity of liquid samples
- Excellent self-draining capability and easy-to-flush low-volume internal cavity make these valves ideal in application where cross-contamination must be minimized
- Removable and rotatable electrical coils allow for easy installation and worry-free maintenance
- Meets all relevant CE directives
- Typical applications include:
  - In-vitro Diagnostics
  - Hematology
  - DNA Sequencing
  - Surgical Fluid Management



| Fluids*          | Temperature Range             | Seal Materials*  |
|------------------|-------------------------------|--|
| liquids or gases | 10°C to +80°C (14°F to 176°F) | FFKM (perfluoroelastomer) or EPDM (ethylene-propylene) |

\* Ensure that the compatibility of the materials in contact with the fluids is verified

| General Valve Information |   |                   |
|---------------------------|---|-------------------|
|                           | PEEK Body   | PA Body           |
| Body                      | PEEK  | PA (polyamide 12) |
| Differential pressure     | See «Specifications» [1 bar =100 kPa]<br>0.7 bar abs. (vacuum on polyamide body only) |                   |
| Maximum viscosity         | 37 cSt (mm <sup>2</sup> /s)   |                   |
| Response time             | 20 ms   |                   |
| Internal volume           | < 67 µl   |                   |



| Electrical Characteristics      |  |
|---------------------------------|--|
| Coil insulation class           | F  |
| Coil                            | Detachable and rotatable.<br>Two spade terminals 2.8 x 0.5 mm (DIN 46340)<br>(or detachable size 15 connector) |
| Electrical enclosure protection | Moulded IP 65 spade terminals<br>Moulded IP 66 Solenoid lead wires (EN 60529)                                  |
| Standard voltages *             | 12 VDC, 24 VDC   |

\* Other voltages on request.

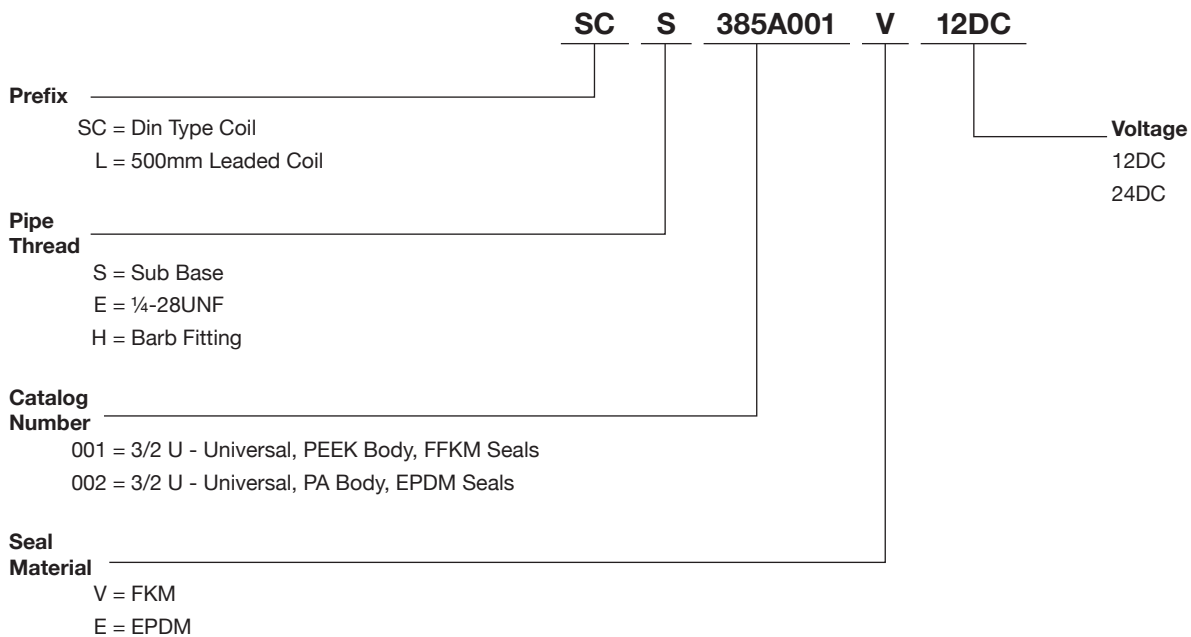
| Prefix option | Power ratings |   |         |   | Ambient temperature range<br>°C (°F) | Replacement coil |          | Type (1) |
|---------------|---------------|---|---------|---|--------------------------------------|------------------|----------|----------|
|               | Inrush        |   | Holding |   |                                      | 12 VDC           | 24 VDC   |          |
|               | VA            | W | VA      | W |                                      |                  |          |          |
| SC            | -             | - | -       | 4 | -10 to 60 (14 to 140)                | 43005268         | 43005269 | 1        |
| L             | -             | - | -       | 4 | -10 to 60 (14 to 140)                | 43005408         | 43005430 | 2        |

(1) Refer to the dimensional drawings on the following page.

01003GB-2019-R01

| Specifications       |                        |                  |         |     |                              |            |             |                  |         |                |             |                |      |
|----------------------|------------------------|------------------|---------|-----|------------------------------|------------|-------------|------------------|---------|----------------|-------------|----------------|------|
| Pipe Size            | Orifice Size           | Flow Coefficient |         |     | Operating Pressure bar (psi) |            |             | Power Rating (W) |         | Catalog Number |             | Seal Materials |      |
|                      |                        |                  |         |     | min.                         | max. (PS)  |             |                  |         |                |             | FKM            | EPDM |
|                      |                        |                  |         |     |                              | Gases (*)  | Liquids (*) |                  |         |                |             |                |      |
| (mm)                 | Kv (m <sup>3</sup> /h) | Cv               | (l/min) | =   | =                            | =          | =           | PEEK Body        | PA Body |                |             |                |      |
| Pad mount            | 1.5                    | 0.03             | 0.034   | 0.5 | 0                            | 2.4 (34.8) | 2.4 (34.8)  | -                | 4       | SCS385A001     |             | V              | E    |
| 1/4" - 28 UNF thread |                        |                  |         |     |                              |            |             |                  |         | SCE385A001     |             |                |      |
| Barbed fitting       |                        |                  |         |     |                              |            |             |                  |         | SCH385A001     |             |                |      |
| Pad mount            | 1.5                    | 0.03             | 0.034   | 0.5 | 0                            | 2 (29.0)   | 2 (29.0)    | -                | 4       |                | SCS385A002E | -              | -    |
| 1/4" - 28 UNF thread |                        |                  |         |     |                              |            |             |                  |         |                | SCE385A002E |                |      |
| Barbed fitting       |                        |                  |         |     |                              |            |             |                  |         |                | SCH385A002E |                |      |

**How To Order**



**Options**

- Connector size 15, catalogue number 88143581

**Installation**

- The solenoid valves can be mounted in any position without affecting operation.
- Can be used for the following functions, depending on how the ports are connected:
- Installation/maintenance instructions are included with each valve.

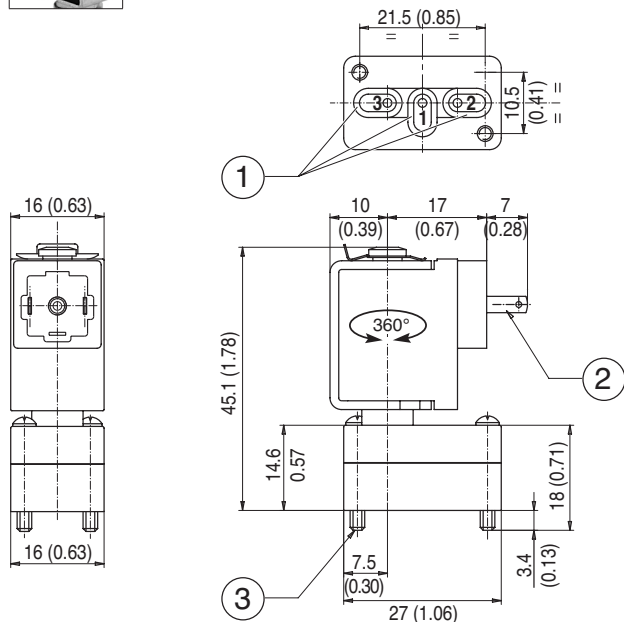
# ASCO™ MINIATURE SOLENOID VALVES

ROCKER MECHANISM, FLUID ISOLATION VALVES

**Dimensions: mm (inches)**



**Type 01**  
Solenoid with spade terminals (SC)  
EN 60529  
IP 65



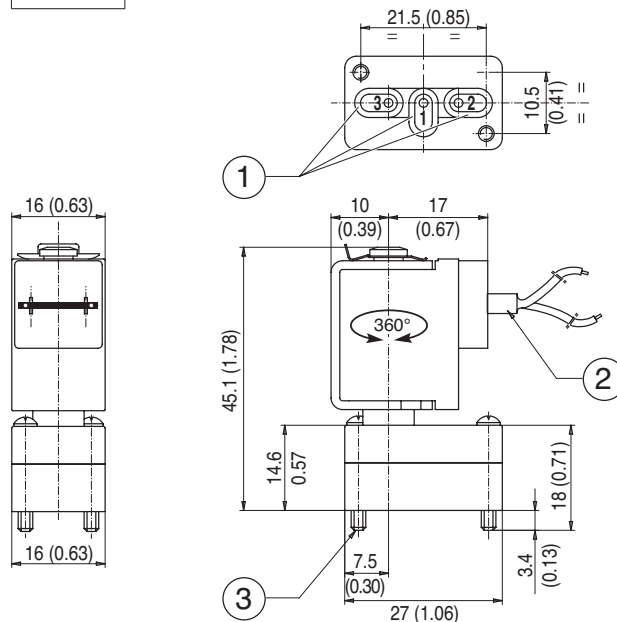
- ① 1 mounting pad seal.
- ② Coil with 2 Faston-type terminals 2.8 x 0.5 (DIN 46340).
- ③ Mounting : 2 screws M2.5 x 18.

| Type | Prefix option | Weight (1) kg |
|------|---------------|---------------|
| 01   | SC            | 0.04          |

(1) Including coil, without connector.



**Type 02**  
Leaded Coil (L)  
24 AWG, lead wires: 500 mm (19.7 in) long  
IP 66

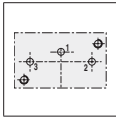


- ① 1 mounting pad seal.
- ② Coil with 24 AWG, lead wires: 500mm (19.7in) long
- ③ Mounting : 2 screws M2.5 x 18.

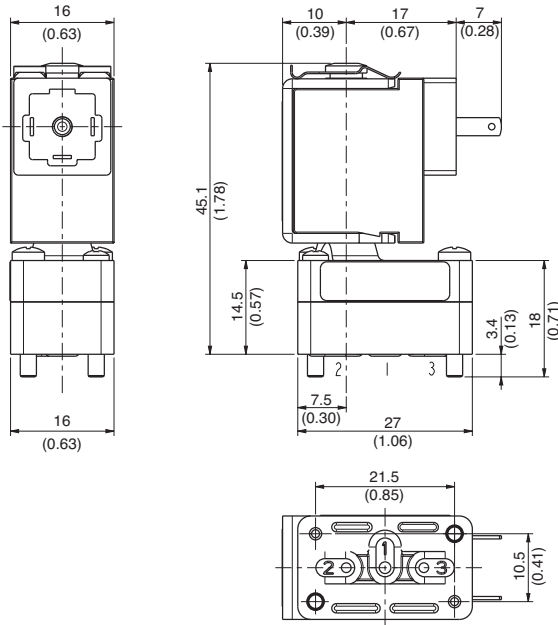
| Type | Prefix option | Weight (1) kg |
|------|---------------|---------------|
| 02   | L             | 0.04          |

(1) Including coil, without connector.

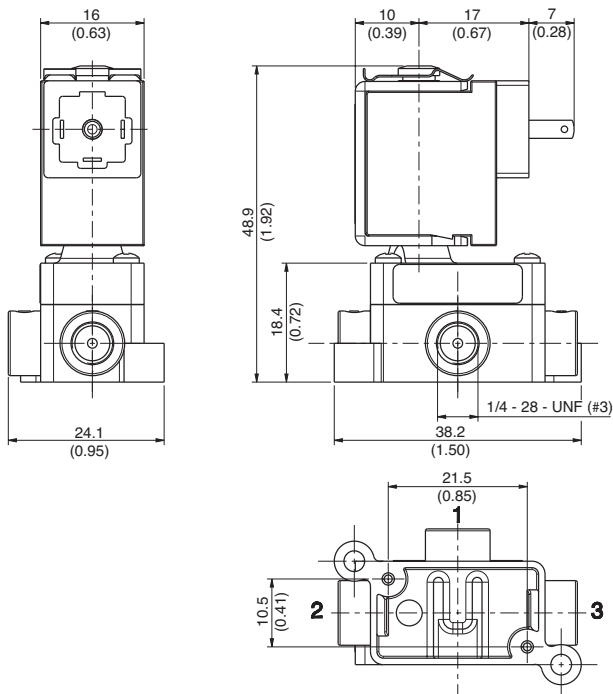
**Dimensions: mm (inches)**



**Pad Mount**



**1/4" - 28 UNF thread**



**Barbed Fitting**

