

ASCO™ Two-Valve Module with 50mm Operators

Nickel-Plated Brass Bodies | Air Pilot Operated | G 3/4"

2/2
SERIES
290

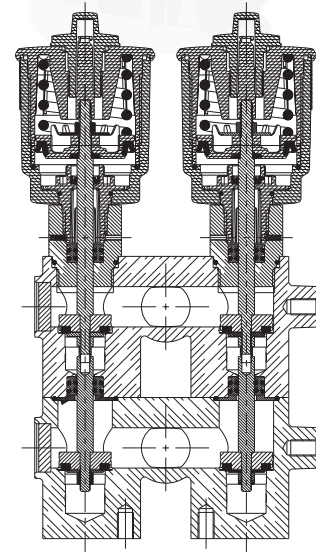
Features

- A single unit consisting of two air operated valves for the temperature control of jacketed tanks/vessels designed as a feed or return flow module
- Inlet/outlet orifice offered in G thread connections
- Pneumatic connection with incorporated 4 x 6 mm instant fitting
- The two-valve module can be mounted in any position without affecting operation
- Optical position indicator on valve operator
- Can be integrated with an intelligent valve manifold system (AVENTICS G3) for higher level of automation and control over the temperature control process



Construction

Valve Parts in Contact with Fluids	
Valve Body	Brass, nickel-plated
Stuffing Box Body	Polyamide, glass-fiber filled
Stem	Stainless Steel
Disc	Brass
Stuffing Box Seal	PTFE Chevrons
Disc Seal	PTFE
Other Materials	
Operator	PA, glass-fiber filled
Optical Position Indicator	PA 12

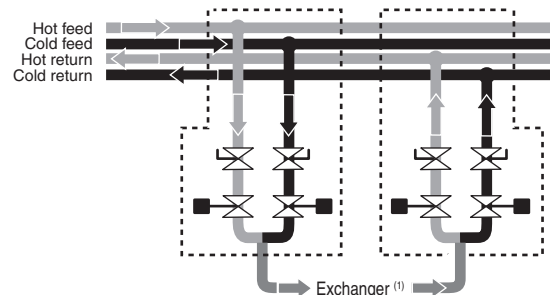


General Specifications

- Pressure differential:** 0-145 psi (0-10 bar)
Maximum allowable pressure: 232 psi (16 bar)
Ambient temperature range: 14°F to 140°F (-10°C to 60°C)
Maximum viscosity: 2,780 SSU
Pilot fluid: Filtered air
Max. pilot pressure: 145 psi (10 bar)
Min. pilot pressure: See next page
Pilot fluid temperature: 14°F to 140°F (-10°C to 60°C)

Fluids*	Temperature Range	Seal Materials*
Water, Liquids groups 1 & 2	14°F to 140°F (-10°C to 60°C)	PTFE

* Ensure that the compatibility of the fluids in contact with the materials is verified



(1) Provide for a unit of two valves for the feed loop and the return loop.

Specifications English units (Metric)

Pipework (ISO 6708)	Cv Flow (Kv = m ³ /h)	Pilot Pressure psi (bar)		Operating Pressure Differential psi (bar)		Operator Diameter mm	Catalog Number (with Visual Position Indicator)
		Min.	Max.	Min.	Max. Water, Liquids		
Normally Closed - Entry Under the Disc							
G 3/4"	5.6 (4.8)	72.5 (5)	145 (10)	0	145 (10)	50	X29050914900100

Installation

- The valves can be mounted in any position without affecting operation
- Pipe connection identifier is: G = G (ISO 228/1)
- Installation/maintenance instructions are included with each two-valve module

Dimensions inches (mm)

