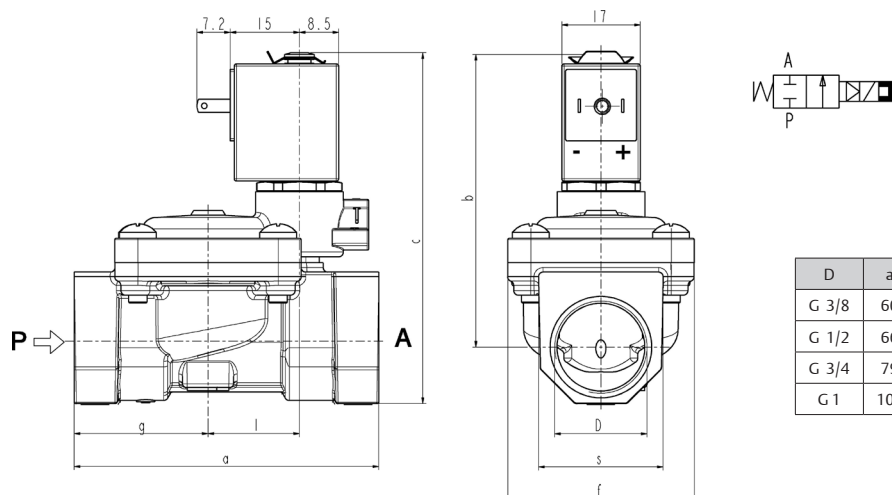


ASCO™ SOLENOID VALVE

2/2 NORMALLY CLOSED – PILOT OPERATED - G 3/8 ÷ G1

SERIES
L182



D	a	b	c	f	g	l	s
G 3/8	60	60	71	40	25,5	20	22
G 1/2	66	62,5	76	40	29	20	27
G 3/4	79	66,5	83	50	35,5	24,5	33
G 1	105	79,5	100,5	71	46	28	42

General Features

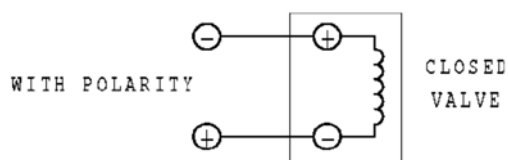
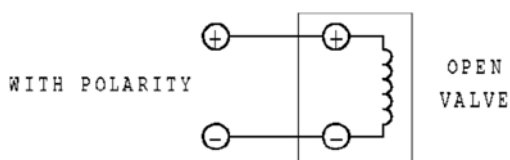
Diaphragm valve, pilot operated, having full orifice.
Suitable to shut off liquid and gaseous fluids (verify the compatibility of fluid with materials in contact).

Technical Features				
Maximum allowable pressure (PS)	16 bar			
Response times	G3/8	G1/2	G3/4	G1
Opening time (ms)	70	70	70	90
Closing time (ms)	670	600	500	420
Fluid temperature	-10°C +90°C (NBR) -10°C +140°C (EPDM)* WRAS			
Max viscosity	5°E (~ 37 cStokes or mm²/s)			

* Maximum operating temperature 85°C in compliance with WRAS approval

Materials in Contact with Fluid	
Body	Brass
Sealing	NBR or EPDM
Internal components	Brass and stainless steel
Seat	Brass
Guide assembly	Stainless steel

Coil	
Duty	Latching model, polarized type, operating with impulses
Min energizing time	20ms
Max energizing time	50ms
Encapsulation material	PP-V0 (self-extinguishing-polypropylene)
Coil insulation class	A (105°C)
Ambient temperature	-10°C +60°C
Electric connections	DIN 46340 - 3 poles micro plug connector
Protection degree	IP 65 (EN 60529) with micro plug connector
Voltages	DC 6-12V (+10% -10%) (Other voltages and frequencies on request)



Port size ISO 228	Orifice size (mm)	Differential pressure (bar)				Kv (m³/h)	Series and type		Power absorption			Sealings	Notes	Weight (kg)							
		Δp min	Δp max		Valve		Coil	AC (VA)		DC (W)											
			Gases	Liquids				Inrush	Holding												
G 3/8	13,5	0,35	-	8	-	8	L182D61	Z070D	-	-	2	EPDM	1	0,300							
G 1/2	13,5													0,360							
G 3/4	18													0,500							
G3/8	13,5													L182B61	Z070D	-	-	2	NBR	-	0,300
G 1/2	13,5																				0,360
G 3/4	18																				0,500
G 1	24																				1,060

Notes

- Sealings : NBR = Nitrile-butylene elastomer. EPDM = Ethylene-propylene elastomer (WRAS/KTW certified compound)
 - The operation with gaseous media, at high pressure without any outlet restriction, can reduce the diaphragm life.
- 1 - WRAS approved solenoid valve (certificate n. 2007001)

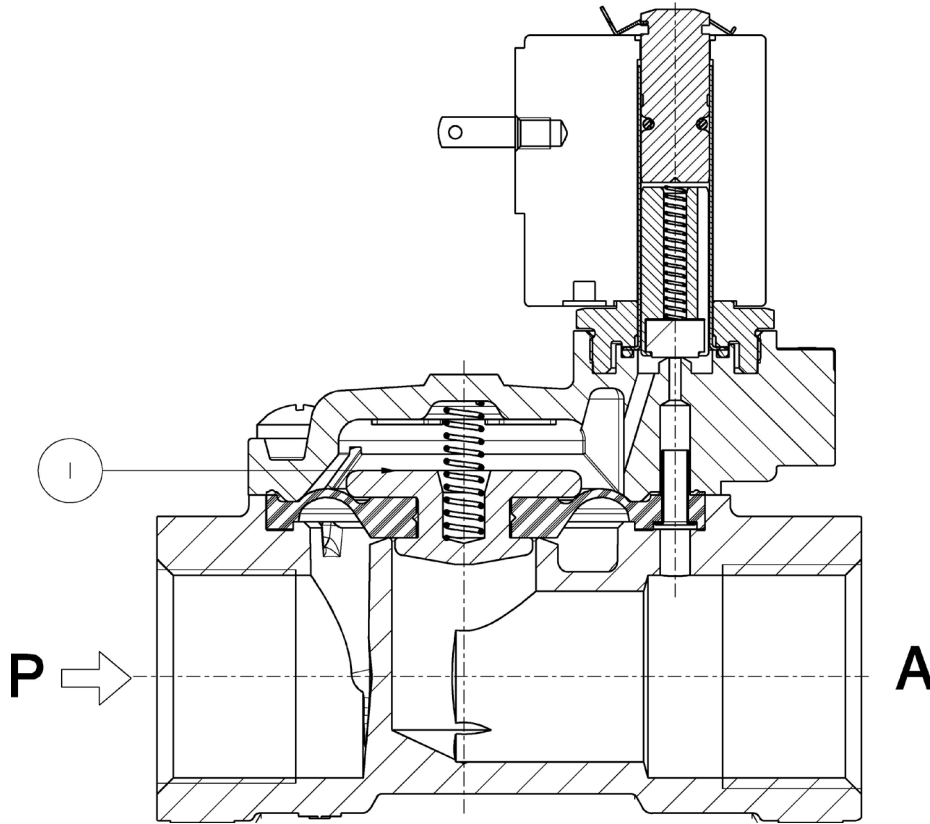
LATCHING MODEL

SERIES
L182

ASCO™ SOLENOID VALVE

2/2 NORMALLY CLOSED – PILOT OPERATED - G 3/8 ÷ G1

Spare Parts



Kit description	Model	Port Size	Kit P.N.	Consisting of:
Diaphragm assembly	L182D61	G3/8	2844306R	Diaphragm assembly pos. 1
		G1/2	2844306R	
		G3/4	2299708R	
	L182B61	G3/8	2844302R	
		G1/2	2844302R	
		G3/4	2299701R	
		G 1	2380101R	

Installation

- Solenoid valve can be mounted in any position; vertical with coil upwards preferred.

THE VALIDITY OF REPORTED DATA IS REFERRED TO THE DATE OF ISSUE. POSSIBLE UPDATES ARE AVAILABLE ON REQUEST