

1 **EU - TYPE EXAMINATION CERTIFICATE**

2 **Equipment or Protective System Intended for use in Potentially Explosive Atmospheres
Directive 2014/34/EU**

3 EU - Type Examination Certificate **Baseefa12ATEX0160X – Issue 4**
Number:

3.1 In accordance with Article 41 of Directive 2014/34/EU, EC-Type Examination Certificates referring to 94/9/EC that were in existence prior to the date of application of 2014/34/EU (20 April 2016) may be referenced as if they were issued in accordance with Directive 2014/34/EU. Supplementary Certificates to such EC-Type Examination Certificates, and new issues of such certificates, may continue to bear the original certificate number issued prior to 20 April 2016.

4 Product: **Series 10/20 GO Switch**

5 Manufacturer: **Topworx Incorporated**

6 Address: **3300 Fern Valley Road, Louisville, Kentucky 40213 USA**

7 This re-issued certificate extends EC Type Examination Certificate No. **Baseefa12ATEX0360X** to apply to product designed and constructed in accordance with the specification set out in the Schedule of the said certificate but having any variations specified in the Schedule attached to this certificate and the documents therein referred to.

8 SGS Fimko Oy, Notified Body number 0598, in accordance with Article 17 of Directive 2014/34/EU of the European Parliament and of the Council, dated 26 February 2014, certifies that this product has been found to comply with the Essential Health and Safety Requirements relating to the design and construction of products intended for use in potentially explosive atmospheres given in Annex II to the Directive.

8.1 The original certificate was issued by SGS Baseefa Ltd (UK Notified Body 1180). It, and any supplements previously issued by SGS Baseefa Ltd have been transferred to the supervision of SGS Fimko Oy (EU Notified Body 0598). The original certificate number is retained.

The examination and test results are recorded in confidential Report No. **See Certificate History**

9 Compliance with the Essential Health and Safety Requirements has been assured by compliance with:

EN IEC 60079-0: 2018 EN 60079-1: 2014 EN 60079-7: 2015+A1: 2018 EN 60079-31: 2014

except in respect of those requirements listed at item 18 of the Schedule.

10 If the sign “X” is placed after the certificate number, it indicates that the product is subject to the Specific Conditions of Use specified in the schedule to this certificate.

11 This EU - TYPE EXAMINATION CERTIFICATE relates only to the design and construction of the specified product. Further requirements of the Directive apply to the manufacturing process and supply of this product. These are not covered by this certificate.

12 The marking of the product shall include the following:

⊕ II 2GD Ex db eb IIC T6 Gb (T_{amb} -40°C to +60°C)

Ex tb IIIC T85°C Db (T_{amb} -40°C to +60°C) IP66 and IP68 submerged at 1 meter for 60 minutes

SGS Fimko Oy Customer Reference No. **2191**

Project File No. **21/0331**

This document is issued by the Company subject to their General Conditions for Certification Services accessible at <http://www.sgs.com/en/Terms-and-Conditions.aspx>. Attention is drawn to the limitation of liability, indemnification and jurisdiction issues defined therein. Any holder of this document is advised that information contained herein reflects the Company's findings at the time of their intervention only and within the limits of Client's instructions, if any. It does not necessarily indicate that the equipment may be used in particular industries or circumstances. The Company's sole responsibility is to its Client and this document does not exonerate parties to a transaction from exercising all their rights and obligations under the transaction documents. This document cannot be reproduced except in full, schedule included, without prior written approval of the Company. Any unauthorized alteration, forgery or falsification of the content or appearance of this document is unlawful and offenders may be prosecuted to the fullest extent of the law.

SGS Fimko Oy

Takomotie 8
FI-00380 Helsinki, Finland
Telephone +358 (0)9 696 361
e-mail sgs.fimko@sgs.com
web site www.sgs.fi

Business ID 0978538-5 Member of the SGS Group (SGA SA)



Mikko Välimäki
SGS Fimko Oy

13

Schedule

14

Certificate Number Baseefa12ATEX0160X – Issue 4

15 Description of Product

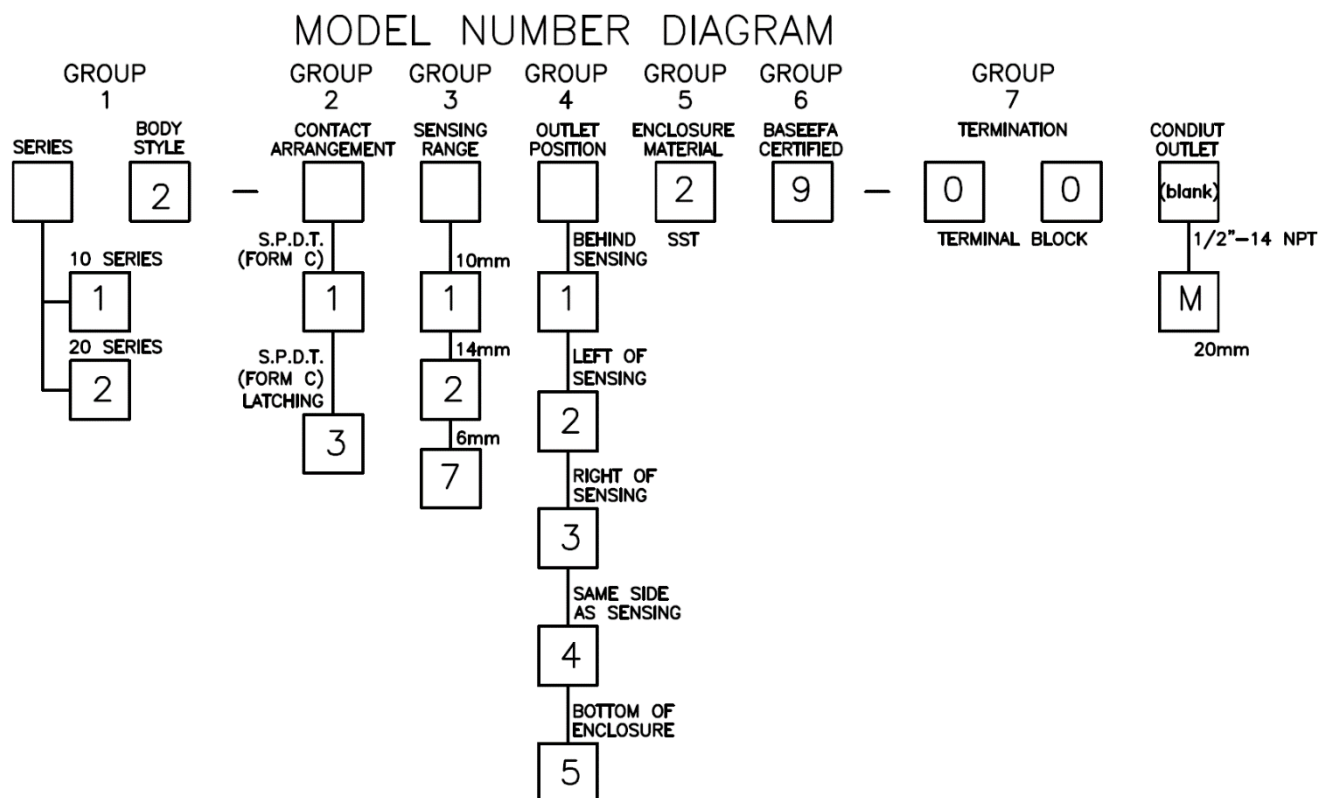
The Series 10/20 Limit Switches comprise a rectangular enclosure manufactured in stainless steel.

A sealed magnetically operated switch mechanism is located at the closed end, with an Exe terminal enclosure with up to four screw terminals at the other end. The terminal enclosure is closed by a stainless-steel plate with a gasket and four 8-32 x 5/16” stainless steel screws.

A cable entry boss threaded ½” NPT (or M20) is provided either on the cover plate or the side wall of the enclosure for the fitting of suitably certified cable entry devices.

The electrical ratings of the switches may be 4A/240Vac, 4A/120Vac, 4A/24Vdc, or 0.5A/125Vdc

The switch model number is used to further describe each assembly as follows:



16 Report Number

See Certificate History

17 Specific Conditions of Use

1. External earth bonding can be achieved via the mounting fixings. These fixings should be in stainless steel or an alternative non-ferrous metal in order to minimize both corrosion and magnetic interference of the switch function. The connection shall be made in such a manner as to prevent loosening and twisting (e.g. with shaped lugs/nuts and locking washers).
2. Suitably certified cable entry devices shall be installed in accordance with IEC60079-14 and must maintain the ingress protection (IP) rating of the enclosure. The cable entry device thread shall not protrude within the enclosure body (i.e. shall maintain the clearance to the terminals).

3. Only one single or multiple strand conductor of size 16 to 18 AWG (1.3 to 0.8mm²) is to be accommodated in each terminal. The insulation of each conductor shall extend to within 1mm of the terminal clamping plate. Connection lugs and/or ferrules are not permitted.
4. The terminal screws are to be tightened down to 0.06Nm.

18 Essential Health and Safety Requirements

In addition to the Essential Health and Safety Requirements (EHSRs) covered by the standards listed at item 9, the following are considered relevant to this product, and conformity is demonstrated in the report:

Clause	Subject
1.2.7	LVD Requirements
1.2.8	Overloading of equipment
1.4.1	External effects
1.4.2	Aggressive substances

19 Drawings and Documents

New drawings submitted for this issue of certificate:

None

Current drawings which remain unaffected by this issue:

Number	Sheet	Issue	Date	Description
CERT-ES-02971-1	1	6	09/11/2014	Limit switch assembly 11/22 series
CERT-ES-03101-1	1	3	03/15/13	Creepage & Clearance
CERT-ES-03254-1	1	6	01/08/2019	Label, 10/20 Series
CERT-ES-03400-1	1	1	03/14/13	Cover Plate Assembly, Plain Cover
CERT-ES-03555-1	1	2	03/13/13	Cover Plate Assembly, Cable Entry Cover
CERT-ES-03264-1	1	2	09/11/2014	Termination sub-assembly 10 series
CERT-ES-03265-1	1	2	09/14/2014	Termination sub-assembly 20 series
CERT-ES-03267-1	1	1	03/21/13	Separation Plate, Sub-assembly
CERT-ES-03629-1	1	1	03/21/13	Terminal Screw/Clamp assembly
CERT-S-A10-0191	1	2	03/22/13	Body Tube, 10 Series, (front/back sensing)
CERT-S-A10-0192	1	2	03/22/13	Body Tube, 10 Series (left/right sensing)
CERT-S-A20-0221	1	2	03/22/13	Body Tube, 20 Series, (front/back sensing)
CERT-S-A70-0222	1	2	03/22/13	Body Tube, 20 Series (left/right sensing)
S-S10-0190	1	11	5/14/2012	Body Tube, 10 Series, Cover Entry
S-S20-0223	1	13	5/14/12	Body Tube, 20 Series, Cover Entry
S-R10-0256	1	5	04/10/12	Body Tube, Stock Material
CERT-ES-03553-1	1	2	09/14/2014	Assembly terminal board 12/22
S-L-10-0691	1 to 2	8	05/06/03	Sensing label

These drawings are common to this certificate and IECEx BAS12.0098X and are held with the latter

20 Certificate History

Certificate No.	Date	Comments
Baseefa12ATEX0160X	9 April 2013	The release of the prime certificate. The associated test and assessment against the requirements of EN 60079-0:2012, EN 60079-1:2007, EN 60079-7:2007 and EN 60079-31:2009 is documented in Test Report GB/BAS/ExTR12.0199/00.
Baseefa12ATEX0160X/1	12 June 2015	This supplement introduces an increase in Ingress Protection ratings to IP 66 and IP68 when submerged to a depth of 1 metre for a maximum of 60 minutes. The associated assessment is documented in report GB/BAS/ExTR15.0157/00.
Baseefa12ATEX0160X/2	29 April 2019	This supplement confirms the current design meets the requirements of EN IEC 60079-0: 2018, EN 60079-1: 2014, EN 60079-7: 2015 and EN 60079-31: 2014 including revisions to the marking in accordance with these standards. The associated assessment is documented in report GB/BAS/ExTR19.0095/00.
Baseefa12ATEX0160X/3	12 March 2020	This supplement clarifies the electrical ratings of the switches. The associated assessment is documented in report GB/BAS/ExTR20.0049/00.
Baseefa12ATEX0160X Issue 4	6 September 2023	This issue of the certificate incorporates previously issued primary & supplementary certificates into one certificate and confirms the current design meets the requirements of EN IEC 60079-7: 2015 + A1:2018. The associated assessment is documented in Test Report GB/BAS/ExTR21.0096/00.
For drawings applicable to each issue, see original of that issue.		