

Configuration Data Sheet

October 2023
00806-0100-4430, Rev BF

Magnetic Level Indicator

Rosemount™ 9930 Magnetic Level Indicator Configuration Data Sheet

★ Default Select only one of the items provided One or more of the listed items can be selected

General information	
Company: _____	Phone No.: _____ Date: _____
Contact name: _____	RFQ No.: _____
Email: _____	Tag: _____



Process conditions				
Pressure	Minimum: _____	Oper: _____	Max: _____	Units of measurement: _____
Temperature	Minimum: _____	Oper: _____	Max: _____	Units of measurement: _____
Description of media	_____			
Specific Gravity (SG)	Minimum: _____	Oper: _____		
Is this an interface measurement?	<input type="radio"/> Yes <input type="radio"/> No			
	If yes, Lower fluid: min SG / max SG ____/____		Upper fluid: min SG / max SG ____/____	
Does media flash or outgas in chamber?	<input type="radio"/> Yes <input type="radio"/> No			

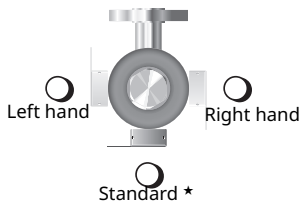
Customer-specific design criteria
Are there any existing specifications, including minimum pipe schedule, general piping specifications, or an approved manufacturer list (AML/AVL) to which this MLI must comply <input type="radio"/> Yes (please provide) <input type="radio"/> No

Mounting style	C	D	B	L	A	E
Select Style:	<input checked="" type="radio"/>	<input type="radio"/>	<input type="radio"/>	<input type="radio"/>	<input type="radio"/>	<input type="radio"/>

Material of construction	Process connection type		
<input type="radio"/> 316/316L SS* <input type="radio"/> 316/316L SS pipe with carbon steel flanges <input type="radio"/> Other non-magnetic material: _____	<input type="radio"/> RFSO <input type="radio"/> RFWN <input type="radio"/> RFSW	<input type="radio"/> RFLJ <input type="radio"/> RTJWN <input type="radio"/> NPTM	<input type="radio"/> NPTF <input type="radio"/> Socket weld fitting <input type="radio"/> Plain end nipple <input type="radio"/> Other: _____

Flange rating	Process connection size (inch)		
<input type="radio"/> Class 150 <input type="radio"/> Class 300 <input type="radio"/> Class 600 <input type="radio"/> Class 900 <input type="radio"/> Class 1500 <input type="radio"/> Other: _____	<input type="radio"/> 1/2 <input type="radio"/> 3/4 <input type="radio"/> 1 <input type="radio"/> 1 1/2 <input type="radio"/> 2 <input type="radio"/> Other: _____		

Vent	<input type="checkbox"/> Valve (Optional)	Drain	<input type="checkbox"/> Valve (Optional)
 <p>Type</p> <p><input type="radio"/> NPT *</p> <p><input type="radio"/> Flange</p> <p><input type="radio"/> SW</p> <p><input type="radio"/> Other: _____</p> <p>Size (inch)</p> <p><input type="radio"/> 1/2 *</p> <p><input type="radio"/> 3/4</p> <p><input type="radio"/> 1</p>	<p>Type</p> <p><input type="radio"/> Ball</p> <p><input type="radio"/> Gate</p> <p><input type="radio"/> Other: _____</p> <p>Material</p> <p><input type="radio"/> Carbon steel</p> <p><input type="radio"/> Stainless steel</p> <p>Valve notes: _____</p>	 <p>Type</p> <p><input type="radio"/> NPT *</p> <p><input type="radio"/> Flange</p> <p><input type="radio"/> SW</p> <p><input type="radio"/> Other: _____</p> <p>Size (inch)</p> <p><input type="radio"/> 1/2 *</p> <p><input type="radio"/> 3/4</p> <p><input type="radio"/> 1</p>	<p>Type</p> <p><input type="radio"/> Ball</p> <p><input type="radio"/> Gate</p> <p><input type="radio"/> Other: _____</p> <p>Material</p> <p><input type="radio"/> Carbon steel</p> <p><input type="radio"/> Stainless steel</p> <p>Valve notes: _____</p>

Indicator	Orientation (top view)	Scale units of measure
<p>Style</p> <p><input type="radio"/> Flags with scale * <input type="radio"/> None</p> <p><input type="radio"/> Follower with scale</p> <p>Flag colors</p> <p><input type="radio"/> Red/silver * <input type="radio"/> Yellow/black</p> <p><input type="radio"/> Red/white</p>	<p>Choose indicator/scale location</p>  <p>Left hand Right hand</p> <p>Standard *</p>	<p><input type="radio"/> Feet & inches *</p> <p><input type="radio"/> %</p> <p><input type="radio"/> Inches only</p> <p><input type="radio"/> Metric (5 cm increments)</p> <p><input type="radio"/> +/-</p> <p><input type="radio"/> Other (please specify): _____</p>

All item below are OPTIONAL

Options & accessories	Tests and inspections
<p><input type="checkbox"/> Welded support clip</p> <p><input type="checkbox"/> Adjustable support clip</p> <p><input type="checkbox"/> Level switches Qty _____ Rating: <input type="radio"/> 1-amp <input type="radio"/> 10-amp</p> <p><input type="checkbox"/> Pneumatic switch Qty _____ Action: <input type="radio"/> Rising <input type="radio"/> Falling</p>	<p><input type="checkbox"/> Insulation blanket</p> <p><input type="checkbox"/> Steam tracing</p> <p><input type="checkbox"/> Heat tracing (no controller)</p> <p><input type="checkbox"/> Cryogenic insulation</p> <p><input type="checkbox"/> PMI</p> <p><input type="checkbox"/> Hydrostatic test</p> <p><input type="checkbox"/> Dye pen</p> <p><input type="checkbox"/> CRN, specify province: _____</p> <p><input type="checkbox"/> X-ray</p> <p><input type="radio"/> NACE MR0103</p> <p><input type="radio"/> NACE MR0175</p>

External gage-mount transmitter		
<p><input type="checkbox"/> Magnetostrictive transmitter</p> <p><input type="checkbox"/> Reed type transmitter (analog-only)</p>	<p>Electronics location preference:</p> <p><input type="radio"/> Top <input type="radio"/> Bottom <input type="radio"/> Remote _____</p>	<p>Transmitter output options:</p> <p><input type="radio"/> Analog <input type="radio"/> HART®</p> <p><input type="radio"/> FOUNDATION™ Fieldbus</p>

Documentation
<p><input type="checkbox"/> Material Traceability Report (MTR)</p> <p><input type="checkbox"/> Drawings</p> <p style="margin-left: 20px;"><input type="radio"/> Approval <input type="radio"/> As-built</p> <p><input type="checkbox"/> Country of origin</p> <p><input type="checkbox"/> Certificate of conformance</p> <p><input type="checkbox"/> Calibration certificate (Magnetostrictive transmitters only)</p>

Other special request (describe or provide sketch)

For more information: [Emerson.com](https://www.emerson.com)

© 2023 Emerson. All rights reserved.

Emerson Terms and Conditions of Sale are available upon request.
The Emerson logo is a trademark and service mark of Emerson Electric Co.
Rosemount is a mark of one of the Emerson family of companies.
All other marks are the property of their respective owners.