



## B950P Ultrasonic Vapor Degreaser

### OVERVIEW:

Emerson is the global leader in solvent cleaning technology through our portfolio of Branson products. The Branson B-Series Ultrasonic Vapor Degreasers are a series of environmentally sound, cost effective, precision degreasers.

The B950P integrates decades of degreasing experience with the demanding needs of a changing marketplace. The B950P incorporates important environmental and safety features, including onboard compressors for both primary and sub-zero cooling. The color touchscreen HMI provides users with a complete tool to setup the degreaser with greater ease and offers a wide range of system information for diagnostics and documentation. The B950P is ideal for use with most commercially-available vapor degreasing safety solvents.

### KEY FEATURES:

- **Automatic system** start-up and shut-down
- **Ergonomic design** allows simple loading of parts
- **Color Touchscreen HMI** offers compact, easy to use display and controls
- **Advanced reporting** of production cycles and maintenance information
- **Environmentally friendly** power cover eliminates drafts and helps to prevent solvent loss
- **Energy efficient design** allows improved work space, simple maintenance procedures, and cost savings outside of production hours

### SAFETY FEATURES:

In addition to the benefits associated with keeping solvent away from the operator, the B-Series has many other features which contribute to safety and reliability. Key among these are:

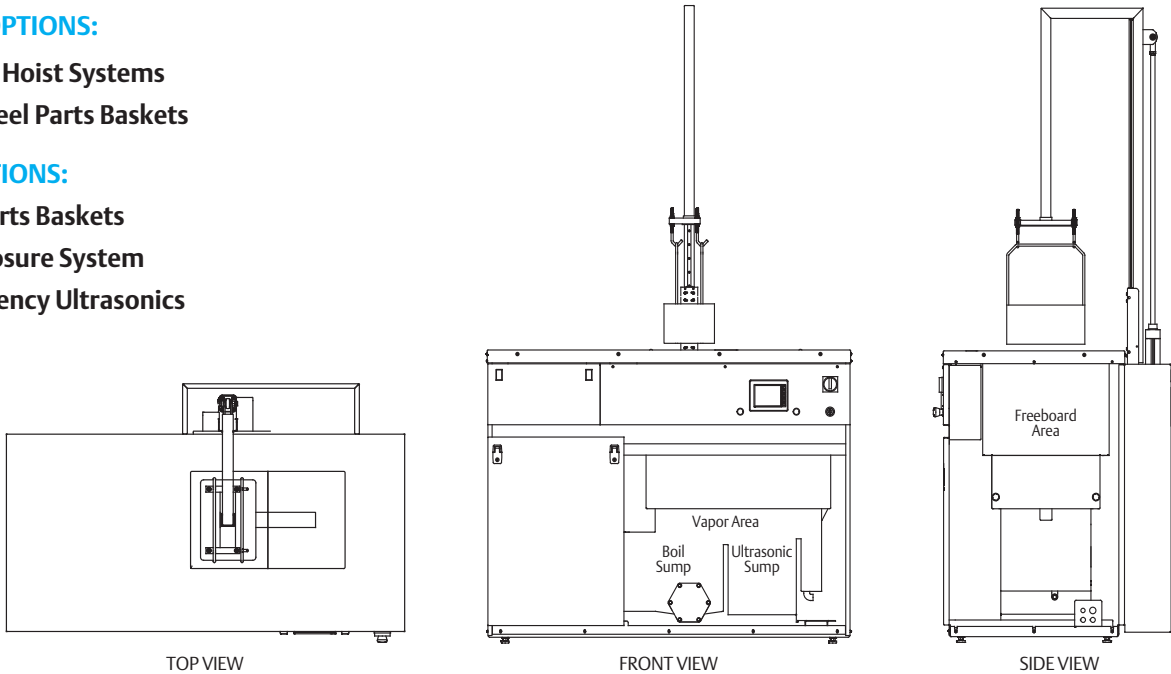
- **High-vapor level sensor** to prevent solvent loss
- **Low solvent sensor** to prevent heater damage
- **Boil sump** over temperature alarm
- **100% Freeboard ratio**

## STANDARD OPTIONS:

- Automated Hoist Systems
- Stainless Steel Parts Baskets

## CUSTOM OPTIONS:

- Rotating Parts Baskets
- Upper Enclosure System
- High-Frequency Ultrasonics



## SPECIFICATIONS

	MODEL B950P
<b>Working Dimensions</b>	12" x 16" x 12"D
<b>Boil Sump Heat</b>	4000 W immersion heat
<b>Ultrasonic Heat</b>	800 W
<b>Ultrasonics*</b>	40 kHz
<b>Distillation Rate**</b>	14 gph
<b>Recirculation</b>	2 gpm
<b>Load Capacity**</b>	400 lbs. steel/hour
<b>Vapor Zone</b>	32.7" x 19" x 12"D
<b>Solvent Capacity</b>	26 gallons
<b>Overall Dimensions</b>	65" x 32.5" x 49"H
<b>Input Power</b>	208 or 230V, 3Ph, 39A
<b>Shipping Weight</b>	1100 lbs. with pallet

\*Higher frequencies available upon request. \*\*Based on HFE and HFC solvents.

### Americas

Branson Ultrasonics Corp.  
41 Eagle Road  
Danbury, CT 06813-1961  
T: 203-796-0400  
F: 203-796-9838  
[www.Emerson.com/Branson](http://www.Emerson.com/Branson)

### Europe

Branson Ultraschall  
Niederlassung der Emerson  
Technologies GmbH & Co. OHG  
Waldstrasse 53-55  
63128 Dietzenbach, Germany  
T: +49-6074-497-0  
F: +49-6074-497-199  
[www.Emerson.com/Branson](http://www.Emerson.com/Branson)

### Asia

Branson Ultrasonics (Shanghai) Co., Ltd.  
758 Rong Le Dong Road  
Song Jiang, Shanghai, PRC, 201613  
T: 86-21-3781-0588  
F: 86-21-5774-5100  
[www.Emerson.com/Branson](http://www.Emerson.com/Branson)