



VAREC 5810B AND 5820B SERIES RELIEF VALVE WITH FLAME ARRESTER

These units combine the high flow capacity of a pressure and vacuum relief valve with an extensible bank flame arrester to provide maximum protection and reliable operation



5810B



5820B

FEATURES

- Oversized pressure and vacuum ports for maximized flow capacities.
- Extensible flame arrester bank assembly.
- Replaceable pressure and vacuum seat rings.
- 'All-weather' coating option is available for valve seats and guides.
- Vent to atmosphere or pipe-away models.
- Large flow capacity allows use of smaller size.
- Easy maintenance helps reduce maintenance time and replacement cost.
- Application flexibility for weather or emissions considerations.

GENERAL APPLICATION

The 5810B and 5820B Series are for vertical installations on low-pressure storage tank applications.

TECHNICAL DATA

Materials:	Aluminum, stainless steel
Sizes	
5810B:	2 to 12 in. (50 to 300 mm)
5820B:	2 x 3 to 12 x 14 in. (50 x 75 to 300 x 350 mm)
Connections:	Drilled flange
Pressure/vacuum settings:	To 2 psig (0.14 barg)
Temperature:	-25 to 200°F (-32 to 93°C)

VAREC 5810B AND 5820B SERIES RELIEF VALVE WITH FLAME ARRESTER

SPECIFICATIONS

MODELS OVERVIEW

The 5810B/5820B Series is a combination of the 2010B/2020B Series pressure and vacuum relief valve and the 5000 Series flame arrester.

The relief valve helps protect the cover from excessive pressure and vacuum within the tank, maintaining system operating pressure so vapors are not vented to the atmosphere routinely. The flame arrester helps protect the tank from accidental ignition of internal vapors and is designed to stop the propagation of flame from external sources. For further information on these devices, see the product data sheets for 2010B/2020B and 5000/5010.

A variety of materials is available to suit climate conditions. The standard aluminum construction is suitable for moderate climates. In extreme hot, humid or freezing weather, the 'all-weather' 5811B Series is recommended, which incorporates added features that can reduce potential malfunctions from extreme conditions.

The 5820B Series provides for further protection from cold climates and a means to route vented gas instead of venting to atmosphere. It incorporates an enclosed pressure port on the relief valve and is especially suited for field installation of insulation jackets or insulated shelters. The 5821B Series includes the pipe-away outlet and the 'all-weather' features for maximum cold weather protection.

If H₂S corrosion is a concern, supplying the relief valve with 316 SS trim is an option. The flame arrester bank sheets are also available in 316 SS material.

OPERATION

The pallet is designed to lift whenever the system gas pressure or vacuum exceeds the setting. Only excess pressure is vented to the atmosphere. Air is drawn into the tank only to relieve an excess vacuum condition. The valve remains closed when the gas utilization system remains within normal operating pressure.

The valve pallets are deadweight loaded with a field adjustable pressure setting range. Side and center pallet guides are incorporated for stability. 'Air cushion' PTFE seat inserts help ensure a tighter seal and can be replaced easily.

The case outlet adapter on the pipe-away model is one pipe size larger than the valve inlet flange to optimize flow capacities.

The 'all-weather' models feature a special non-frosting and anti-icing coating applied to the pallet perimeter and stem, guide posts and seat ring tip providing additional protection against pallets freezing closed.

The flame arrester is designed to stop the propagation of a flame by absorbing and dissipating heat through the surface area of the bank sheets. Heat is absorbed as ignited gas attempts to pass through the small passages within the bank assembly. This action lowers the temperature of the gas below its ignition point and quenches the flame.

The net free area through the flame arrester bank is three to four times the unit pipe size. This design provides increased flow capacity with minimal pressure drop. The unique extensible bank frame allows inspection of the corrugated sheets and routine cleaning without removal from the frame. The entire bank assembly slides out of the arrester housing easily. It is not necessary to disassemble the flame arrester from the relief valve, nor remove the entire unit off the pipeline. The extensible bank feature is especially useful when there is excessive foaming in the digester. The bank assembly can be inspected and cleaned easily to remove any scum or residue build-up.

VAREC 5810B AND 5820B SERIES RELIEF VALVE WITH FLAME ARRESTER

SPECIFICATIONS

Sizes

- 5810B - 2, 3, 4, 6, 8, 10 and 12 in.
- 5820B - 2 x 3, 3 x 4, 4 x 6, 6 x 8, 8 x 10, 10 x 12, and 12 x 14 in.

Connections

- Drilled to ANSI 150 flat-faced flange connection.
- All-stainless steel: drilled to ANSI 150 raised-face flange connection.

Special drilling requirements to DIN, JPI or JIS standards are available on request. Consult your local sales representative for further details.

Flow data

- Consult your sales representative for flow data information. Valve sizing programs are also available on request.

Settings

- Pressure and vacuum settings: available up to 2 psig.

MATERIALS

- Valve body:
 - 356 T6 low copper cast aluminum
 - 316 stainless steel (option)
- Valve trim:
 - low copper aluminum with 316 SS guideposts (standard)
 - 316 stainless steel (option)
- Pallet seat inserts: PTFE
- Pallet weights: lead
- Protective screen: HDPE (high-density polyethylene)
- Arrester housing:
 - 356 T6 low copper cast aluminum
 - 316 stainless steel (option)
- Bank assembly:
 - low copper aluminum extensible frame with aluminum bank sheets (standard)
 - low copper aluminum extensible frame with 316 SS bank sheets (option)
 - all 316 stainless steel (option)
- Hardware: zinc-plated steel (standard)
(nuts, bolts, etc): stainless steel (option)
- Mounting hardware: per ANSI standards (supplied by others)
- All-weather option: relief valve operating temperature is -25 to 200°F [-32 to 93°C]

Flame arrester standard specification

Model 5000 flame arrester UL (Underwriters Laboratories) listed in all aluminum construction with extensible bank assembly in 2, 3, 4, 6 and 10 in. (50, 75, 100, 150 and 250 mm) sizes.

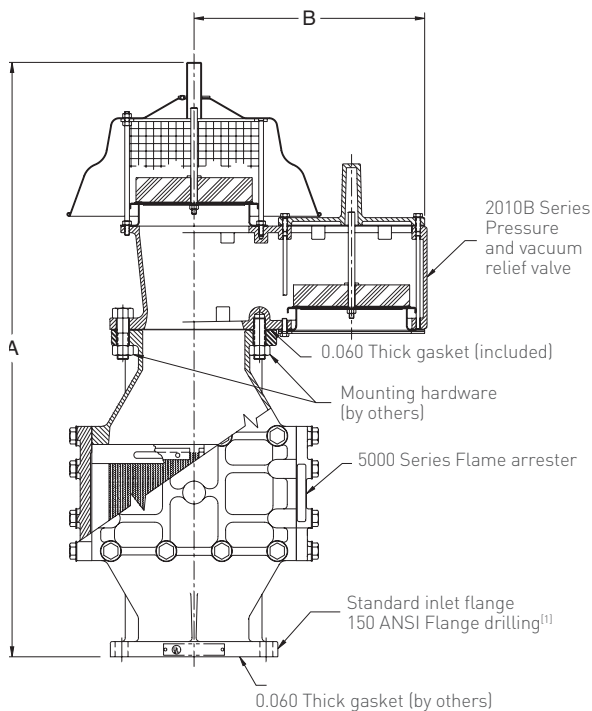
APPLICATIONS

The arresters are designed to stop the propagation of flame (Group "D" gases) from external sources. They can be mounted up to 15 feet (4.6 m) upstream of the ignition source in accordance with UL approval, or 10 pipe diameters in accordance with FM approval requirements.

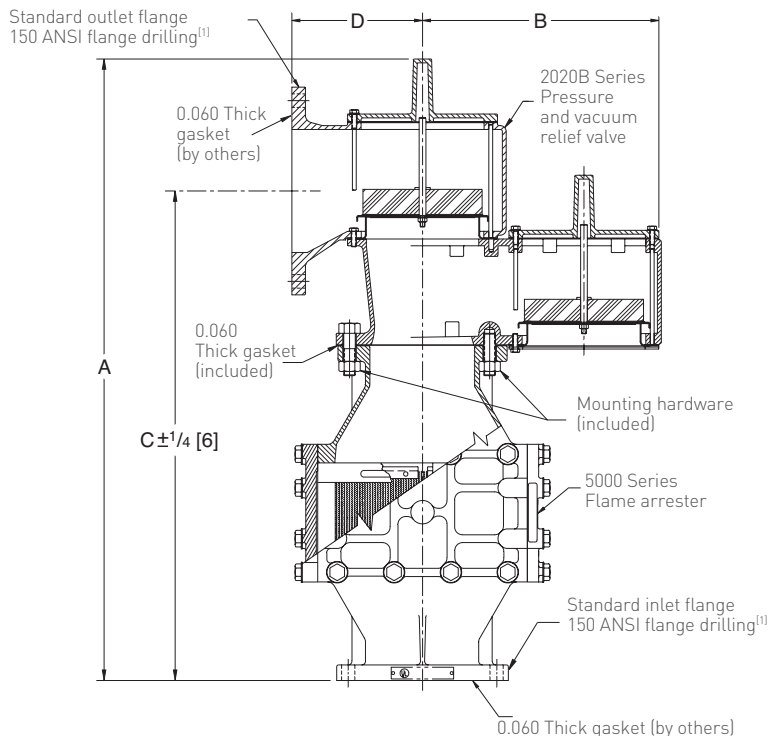
VAREC 5810B AND 5820B SERIES RELIEF VALVE WITH FLAME ARRESTER

DIMENSIONS

5810B SERIES



5820B SERIES



NOTE

1. Aluminum bodies flat face only. Stainless and carbon steel raised face only.

5810B DIMENSIONS, in. (mm)

Size	A	B
2	23 ¹ / ₁₆ [586]	9 ⁷ / ₈ [251]
3	26 ⁵ / ₁₆ [668]	12 ¹ / ₄ [311]
4	30 ¹¹ / ₁₆ [779]	12 ⁷ / ₁₆ [316]
6	39 ³ / ₈ [1000]	15 ¹ / ₂ [394]
8	48 [1243]	19 ⁹ / ₁₆ [497]
10	56 [1422]	24 ¹⁵ / ₁₆ [633]
12	66 ³ / ₈ [1686]	29 ³ / ₈ [746]

5820B DIMENSIONS, in. (mm)

Size		A	B	C ± 1/4 [6]	D
Inlet, in.	Outlet, in.				
2	3	21 ⁷ / ₈ [556]	9 ⁷ / ₈ [251]	17 ¹⁵ / ₁₆ [456]	4 ¹⁵ / ₁₆ [125]
3	4	24 ¹¹ / ₁₆ [627]	12 ¹ / ₄ [311]	19 ¹³ / ₁₆ [503]	6 ³ / ₈ [162]
4	6	29 ⁷ / ₁₆ [748]	12 ⁷ / ₁₆ [316]	23 ¹ / ₂ [597]	8 [203]
6	8	40 ⁵ / ₁₆ [1024]	15 ¹ / ₂ [394]	31 ³ / ₁₆ [802]	8 ⁷ / ₁₆ [217]
8	10	45 ⁷ / ₁₆ [1154]	19 ⁹ / ₁₆ [497]	39 ⁷ / ₁₆ [1002]	11 ³ / ₁₆ [284]
10	12	56 [1422]	24 ¹⁵ / ₁₆ [633]	44 ¹¹ / ₁₆ [1135]	13 ³ / ₈ [346]
12	14	66 ⁷ / ₁₆ [1688]	29 ³ / ₈ [746]	53 ⁵ / ₁₆ [1354]	15 ³ / ₈ [391]

VAREC 5810B AND 5820B SERIES RELIEF VALVE WITH FLAME ARRESTER

ORDERING INFORMATION

SELECTION GUIDE

Example:	58	1	0B	8	2	S
Model						
58	Relief valve and flame arrester					
Configuration						
1	Vent to atmosphere					
2	Pipe-away					
Model						
0B	Air cushion type					
1B	'All weather' type					
Size (Pipe-away option)						
2	2 in. (x 3 in.)					
3	3 in. (x 4 in.)					
4	4 in. (x 6 in.)					
6	6 in. (x 8 in.)					
8	8 in. (x 10 in.)					
0	10 in. (x 12 in.)					
1	12 in. (x 14 in.)					
Relief valve and flame arrester material (must specify one)						
1	All-aluminum construction Aluminum body and trim on valve, aluminum housing, extensible frame and sheets on flame arrester, FF flange connections drilled to ANSI 150					
2	Aluminum/stainless steel construction Aluminum body and stainless steel trim on valve; aluminum housing and extensible bank, stainless steel sheets on flame arrester, FF flange connections drilled to ANSI 150					
3	All-stainless steel construction ⁽¹⁾ 316 SS body and trim on valve, stainless steel housing, frame and sheets on flame arrester, RF flange connections drilled to ANSI 150					
Flame arrester hardware material						
*	Leave blank when ordering standard zinc plated steel					
S	Stainless steel (optional)					

Example: pressure/vacuum relief valve with flame arrester, vent to atmosphere, air-cushion type, 8 in. size, aluminum body and stainless steel trim on valve; aluminum housing and extensible bank, rectangular stainless steel sheets on flame arrester. Specify pressure and vacuum settings.

NOTE

1. Carbon steel available on request.

VAREC 5810B AND 5820B SERIES RELIEF VALVE WITH FLAME ARRESTER

SHIPPING WEIGHTS

5810B SHIPPING WEIGHTS, lbs. (kg)

Size, in.	Material code		
	1	2	3
2	52 (24)	62 (28)	117 (53)
3	88 (40)	98 (44)	193 (88)
4	132 (60)	152 (69)	282 (128)
6	187 (85)	237 (108)	437 (198)
8	302 (137)	377 (171)	702 (318)
10	448 (203)	568 (258)	1058 (480)
12	662 (300)	837 (380)	1477 (670)

5820B SHIPPING WEIGHTS, lbs. (kg)

Size, in.	Material code		
	1	2	3
2	62 (28)	72 (33)	146 (66)
3	103 (47)	113 (51)	237 (108)
4	152 (69)	172 (78)	340 (154)
6	217 (98)	267 (121)	525 (238)
8	342 (155)	417 (189)	819 (371)
10	528 (239)	648 (294)	1291 (586)
12	767 (348)	942 (427)	1783 (809)

VCTDS-00192-EN © 2016, 2024 Emerson Electric Co. All rights reserved 03/24. Varec is a mark owned by one of the companies in the Emerson Automation Solutions business unit of Emerson Electric Co. The Emerson logo is a trademark and service mark of Emerson Electric Co. All other marks are the property of their prospective owners.

The contents of this publication are presented for informational purposes only, and while every effort has been made to ensure their accuracy, they are not to be construed as warranties or guarantees, express or implied, regarding the products or services described herein or their use or applicability. All sales are governed by our terms and conditions, which are available upon request. We reserve the right to modify or improve the designs or specifications of such products at any time without notice.

Emerson Electric Co. does not assume responsibility for the selection, use or maintenance of any product. Responsibility for proper selection, use and maintenance of any Emerson Electric Co. product remains solely with the purchaser.

Emerson.com