

Enardo 2500 Series

Emergency Relief Vent with Vacuum

Introduction

Enardo™ 2500 Series emergency relief vents are designed to provide an emergency pressure relief opening for storage tanks when exposed to overpressure that are not handled by standard tank vents. These vents provide the capacity to meet API standard 2000 for emergency venting due to fire exposure when properly sized and provides high capacity vacuum flow for emergency pump-out of product.

When excessive pressure builds within the storage tank the Enardo 2500 Series Emergency Pressure Relief Vent's hinged cover begins to open at the predetermined set pressure, relieving excess pressure. When overpressure has dissipated, the cover reseats onto the base. The hinge mechanism prevents misalignment and provides an accurate reseal. When excessive vacuum builds within the storage tank, the spring loaded pallet lifts, breaking the seal between the seat and pallet, allowing air to pass through the valve orifice relieving the vacuum buildup. The vacuum valve reseals upon relief and remains sealed.

Available Sizes (Flat Face Connection Standard)

ANSI: 16, 20 and 24 in. /
400, 500 and 600 mm

API: 20 and 24 in. / 500 and 600 mm

Vent Setting Range

Pressure

4.0 to 16.0 oz./sq. in.
(0.5 oz./sq. in. increments)

7.0 to 27.0 in. w.c.
(1.0 in.w.c. increments)

17.4 to 67.2 mbar

(2.2 mbar increments)

Vacuum

0.5, 0.75, 1.0 and 2.0 oz./sq. in.

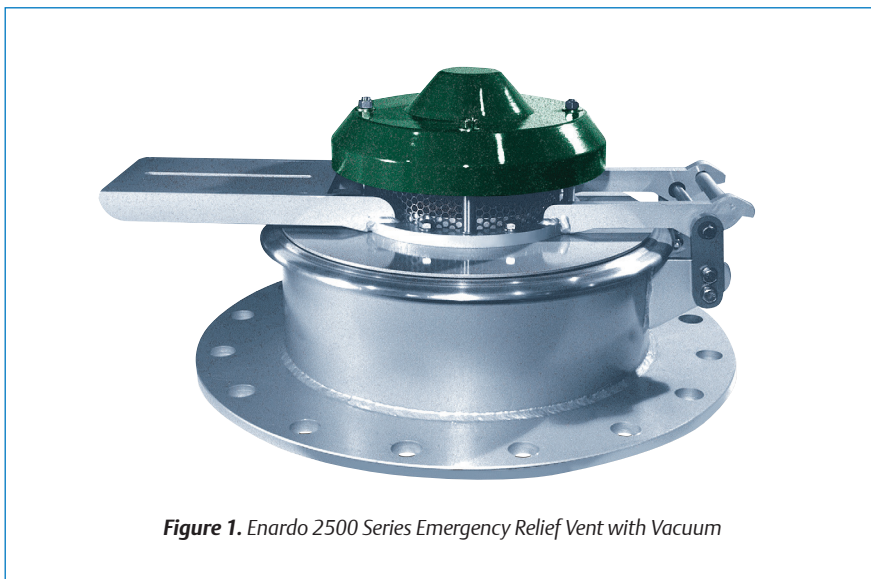


Figure 1. Enardo 2500 Series Emergency Relief Vent with Vacuum

Construction Materials

Base, Arm and Hood

Carbon Steel

304 SST

316 SST

Disk and Seal Support

Aluminum

316 SST

Seal

Nitrile (NBR)

Fluorinated Ethylene Propylene (FEP)

Fluorocarbon (FKM)

Vacuum Spring

302 SST

Vacuum Pallet

Advanced Composite-Polyphenylene

Sulfide(PPS)

316 SST

Vacuum Seat

Advanced Composite-Polyphenylene

Sulfide (PPS)

316 SST

Additional Technical Data

For more technical information, contact your local Sales Office or log on to:

www.enardo.com

Features

- Advanced seal technology exceeds the most stringent of industrial standards for allowable leakage (1 SCFH at 90% set point) and provides excellent set point accuracy.
- Every Enardo 2500 Series vent is factory inspected and leak checked and certified.
- Corrosion-resistant coatings are available for even the most corrosive of applications.
- Certified flow capacity curves are available for the full product size range.
- Available in API, ANSI, DIN and JIS flanges. Flat face connection is standard.
- Complies with EN 60079-0:2012/A11:2013, EN 60079-11:2012, EN-13463-1:2009 and EN 13463-5:2011. Certificate available upon request.

Enardo 2500 Series

Emergency Relief Vent with Vacuum

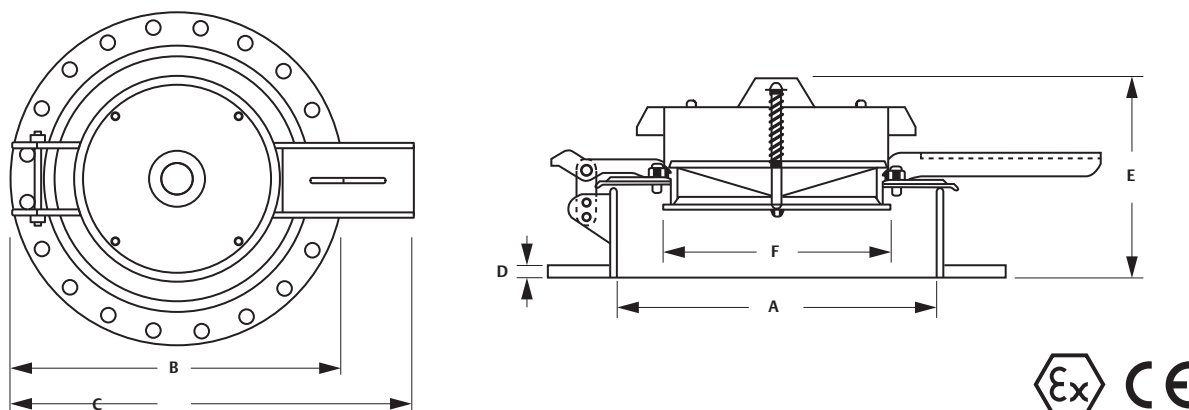


Figure 2. Enardo™ 2500 Series Dimensions

Table 2. Enardo 2500 Series Dimensions

MODEL	A (SIZE)		B1 ⁽²⁾ (ANSI FLANGE O.D.)		B2 ⁽²⁾ (API FLANGE O.D.)		C (OVERALL LENGTH)		D (FLANGE THICKNESS)		E (HEIGHT)		F (VACUUM PORT)		WEIGHT (CARBON STEEL) ⁽¹⁾		WEIGHT (STAINLESS STEEL) ⁽¹⁾	
	In.	mm	In.	mm	In.	mm	In.	mm	In.	mm	In.	mm	In.	mm	Lbs	kg	Lbs	kg
Enardo 2516	15-1/4	390	23-1/2	597	----	----	26-1/2	13	1/2	13	12-1/2	318	6-3/8	162	90	41	100	45
Enardo 2520	19-1/4	490	27-1/2	699	26	660	33-1/2	19	3/4	19	13-1/2	343	12	305	135	61	145	66
Enardo 2524	23-1/4	590	32	813	30	762	36-1/4	25	1	25	13-1/2	343	12	305	195	88	210	95

1. Unit weights indicate Net Weight of valve at standard set pressure (2.0 oz./sq. in. pressure), does not include shipping crate or box. Add 20% for gross shipping weight (Domestic Only). Pressure settings above the standard will increase total unit weight - consult factory for more information.
2. Flat face connecting flange is standard.

Selection Guide to Enardo 2500 Series

ENARDO	2	5	1	6	-	1	2	1	T	-	1	-	Z	8	/	.5	-	1
	Series	Connection Size	Base, Arm and Hood	Cover and Seal Support	Vacuum Pallet and Seat	Gasket Seal	Bolt Pattern	Pressure Settings	Vacuum Settings	Options								
		16, 20 and 24 in.	1 = Carbon steel 2 = 304 SST 3 = 316 SST	1 = Aluminum 2 = 316 SST	1 = Polyphenylene Sulfide (PPS) 2 = 316 SST	T = Fluorinated Ethylene Propylene (FEP) N = Nitrile (NBR) V = Fluorocarbon (FKM) X = Special	1 = ANSI 2 = API Flat face connection standard.	n = in. w.c. z = oz./sq. in. 4.0 to 16.0 oz./sq. in. (0.5 oz./sq. in. increments) 7.0 to 27.0 in. w.c. (1.0 in. w.c. increments) 17.4 to 67.2 mbar (2.2 mbar increments)	0.5, 0.75, 1.0 or 2.0 oz./sq.in.	1 = Special Coating 2 = Optional Hardware 3 = Other								

Example:

ENARDO **2** **5** **1** **6** - **1** **2** **1** **T** - **1** - **Z** **8** / **.5** - **1**

Indicates a 16 in. Emergency Pressure Relief Vent with Vacuum, carbon steel base, arm and hood, 316 SST cover and seal support, Polyphenylene Sulfide (PPS) vacuum pallet and seat, Fluorinated Ethylene Propylene (FEP) pressure and vacuum seals, ANSI 150 lb. Flat Face flange bolt pattern with 8 oz./sq.in. pressure setting and 0.5 oz./sq.in. vacuum setting. Option includes special coating.