

Data sheet

Sheet No.: GHM 3.01

Date: April 2020

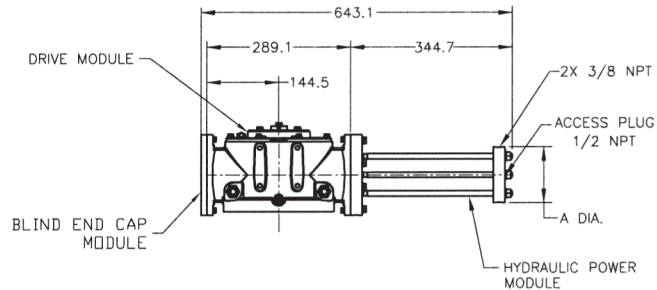
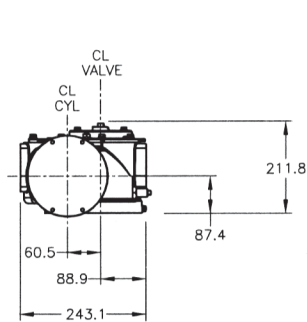
G/GC-Series

Dimensions – (Hydraulic) mm.

G/GC-Series

Double-Acting Actuators

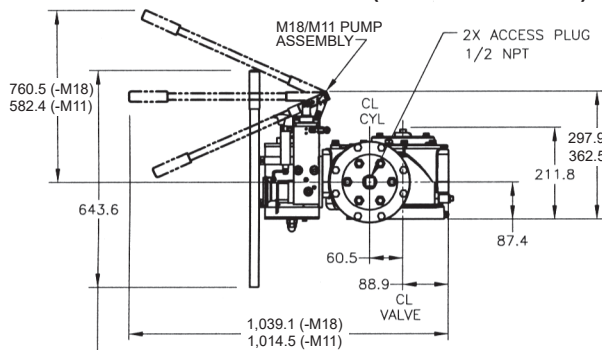
G0110X.X/GC0110X.X (CW Model Shown)



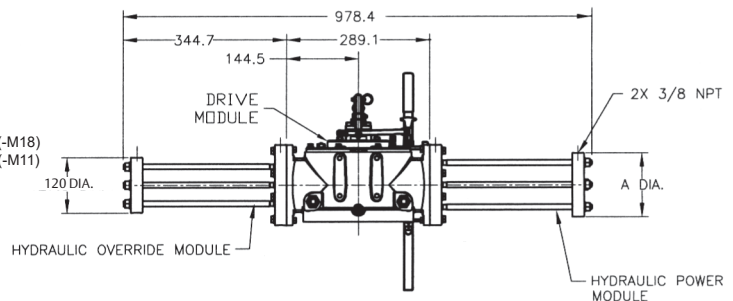
Actuator Model	A
G01101.5/GC01101.5	108.0
G01101.7/GC01101.7	114.3
G01102.0/GC01102.0	114.3
G01102.2/GC01102.2	120.7
G01102.5/GC01102.5	127.0
G01103.0/GC01103.0	139.7
G01103.5/GC01103.5	152.4

G0110X.X-M18/GC0110X.X-M18

G0110X.X-M11/GC0110X.X-M11 (CW Model Shown)



NOTE: PUMP HANDLE SHOWN STORED, MAY BE MOVED UP OR DOWN.



Actuator Model	A
G01101.5-M18/GC01101.5-M18	108.0
G01101.7-M18/GC01101.7-M18	114.3
G01102.0-M18/GC01102.0-M18	114.3
G01102.2-M18/GC01102.2-M18	120.7
G01102.5-M18/GC01102.5-M18	127.0
G01103.0-M18/GC01103.0-M18	139.7
G01103.5-M18/GC01103.5-M18	152.4

Note: Not Certified dimensional drawings. Such drawings available on request. Contact factory with correct model designation and serial number. All dimensions are expressed in millimeters.

* Dimension A remain the same in case -M11 in actuator model.

BETTIS™

EMERSON™

Data sheet

Sheet No.: GHM 3.02

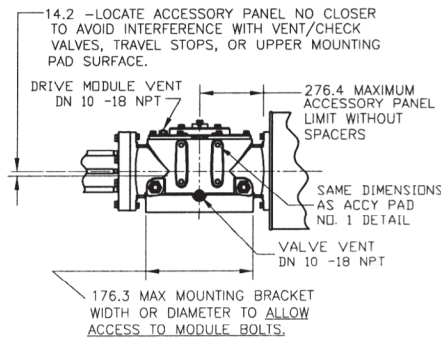
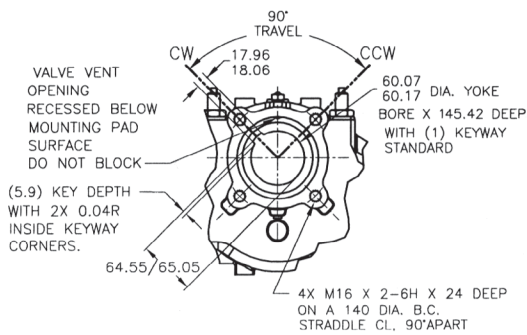
Date: April 2020

G/GC-Series

Dimensions – (Hydraulic) mm.

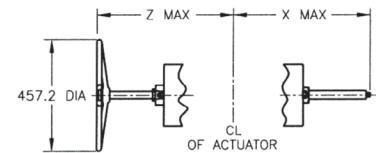
G/GC-Series

Double-Acting Actuators
Mounting Pad Detail



ACCESSORY PAD NO. 2 DETAIL

Adjustable End Stops & Jackscrews



	Power Module	Blind End Cap Module	Spring Module
X (-ETS) Extended Travel Stop	726.2	402.1	1210.3
X (-33) End Stop	559.6	226.6	1023.9
Z (M3/M3HW) Jackscrew	C/F*	442.7	1184.4

C/F Consult Factory

Note: Jackscrews are not recommended for use on hydraulic cylinders. If used, they are allowable on the Spring Module or Blind End Cap Modules ends **only**. It is probable that some leakage of hydraulic fluid past the jackscrew pressure containing thread seals will occur over time if used on the Power Module side, negating any warranty for hydraulic Power Modules.

Note: Not Certified dimensional drawings. Such drawings available on request. Contact factory with correct model designation and serial number. All dimensions are expressed in millimeters.

BETTIS™

EMERSON™

Data sheet

Sheet No.: GHM 3.03

Date: April 2020

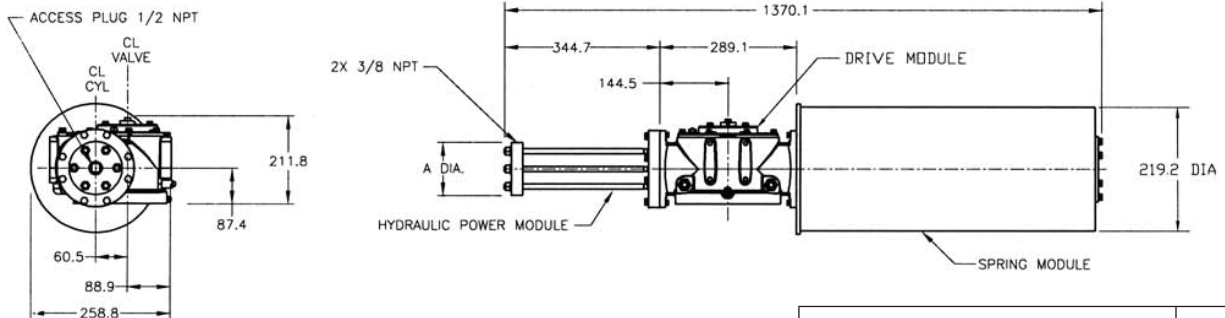
G/GC-Series

Dimensions – (Hydraulic) mm.

G/GC-Series

Spring-Return Actuators

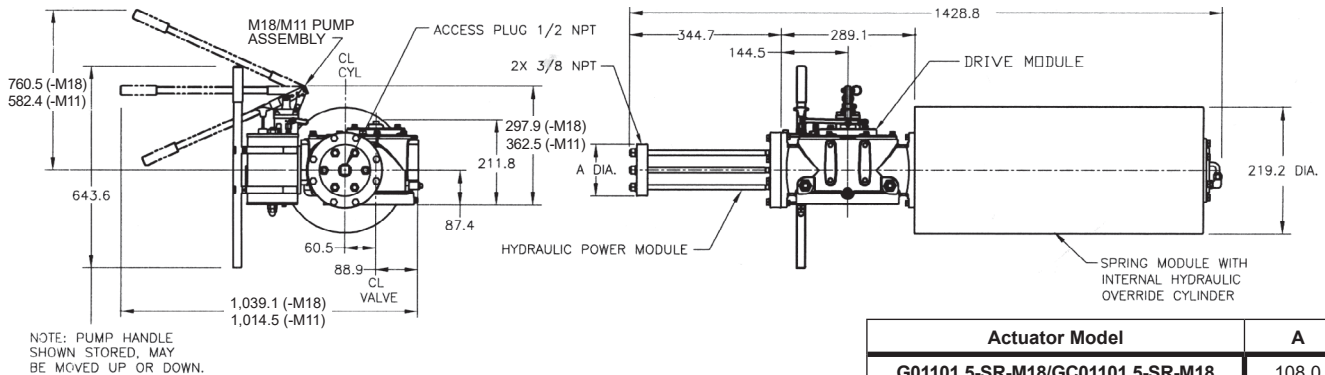
G0110X.X-SR/GC0110X.X-SR (CW Model Shown)



Actuator Model	A
G01101.5-SR/GC01101.5-SR	108.0
G01101.7-SR/GC01101.7-SR	114.3
G01102.0-SR/GC01102.0-SR	114.3
G01102.2-SR/GC01102.2-SR	120.7
G01102.5-SR/GC01102.5-SR	127.0
G01103.0-SR/GC01103.0-SR	139.7
G01103.5-SR/GC01103.5-SR	152.4

G0110X.X-SR-M18/GC0110X.X-SR-M18

G0110X.X-SR-M11/GC0110X.X-SR-M11 (CW Model Shown)



Actuator Model	A
G01101.5-SR-M18/GC01101.5-SR-M18	108.0
G01101.7-SR-M18/GC01101.7-SR-M18	114.3
G01102.0-SR-M18/GC01102.0-SR-M18	114.3
G01102.2-SR-M18/GC01102.2-SR-M18	120.7
G01102.5-SR-M18/GC01102.5-SR-M18	127.0
G01103.0-SR-M18/GC01103.0-SR-M18	139.7
G01103.5-SR-M18/GC01103.5-SR-M18	152.4

Note: Not Certified dimensional drawings. Such drawings available on request.
Contact factory with correct model designation and serial number.
All dimensions are expressed in millimeters.

* Dimension A remain the same in case -M11 in actuator model.

BETTIS™

EMERSON™

Copyright © Emerson. The information in this document is subject to change without notice. Updated data sheets can be obtained from our website www.emerson.com/bettis or from your Emerson Automation Solutions - Actuation Technologies Center.
America's: +1 281 477 4100 Europe: +36 22 53 0950 Asia/Pacific: +65 67 77 8211 Middle East: +971 4 811 8100

Data sheet

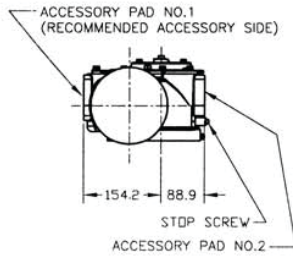
Sheet No.: GHM 3.04

Date: April 2020

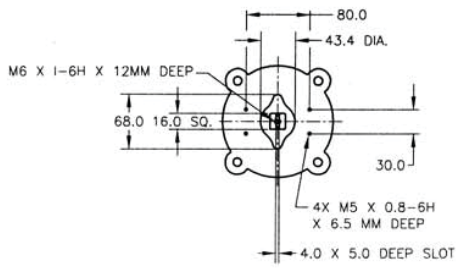
G/GC-Series

Dimensions – (Hydraulic) mm. G/GC-Series

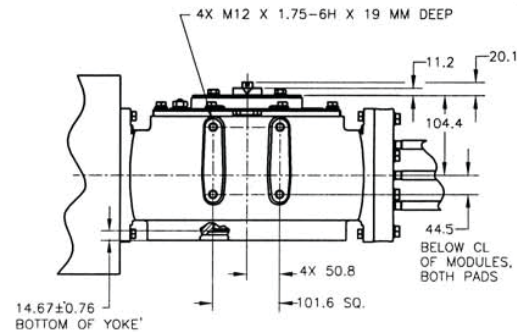
Spring-Return Actuators
Accessory Details



ACCESSORY PAD LOCATION



TOPWORKS DETAIL
YOKE COVER



ACCESSORY PAD NO.1 DETAIL

Note: Not Certified dimensional drawings. Such drawings available on request.
Contact factory with correct model designation and serial number.
All dimensions are expressed in millimeters.

BETTIS™

Copyright © Emerson. The information in this document is subject to change without notice. Updated data sheets can be obtained from our website www.emerson.com/bettis or from your Emerson Automation Solutions - Actuation Technologies Center:
America's: +1 281 477 4100 Europe: +36 22 53 0950 Asia/Pacific: +65 67 77 8211 Middle East: +971 4 811 8100



EMERSON™

Data sheet

Sheet No.: GHM 3.05

Date: April 2020

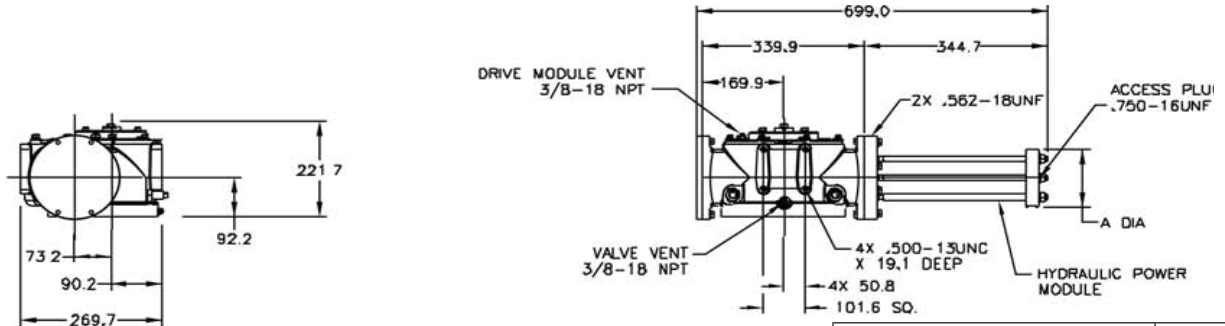
G/GC-Series

Dimensions – (Hydraulic) mm.

G/GC-Series

Double-Acting Actuators

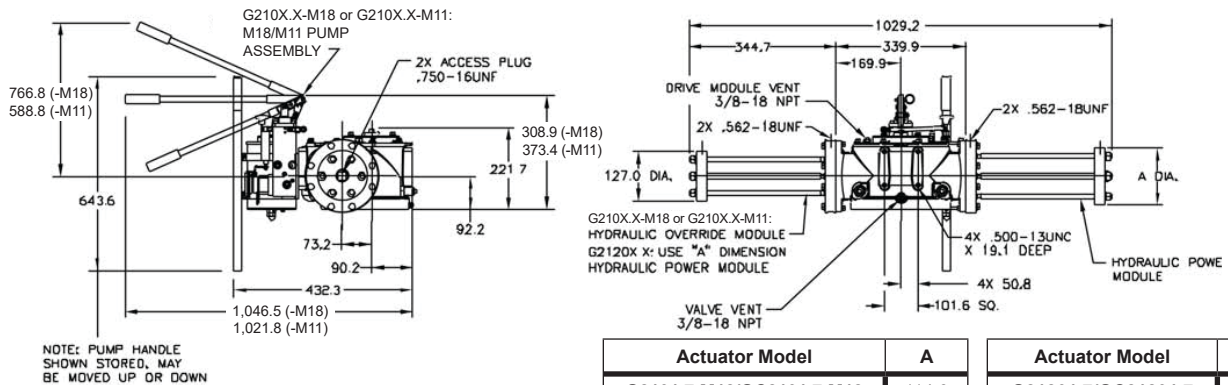
G210X.X/GC210X.X (CW Model Shown)



Actuator Model	A
G2101.7/GC2101.7	114.3
G2102.0/GC2102.0	117.3
G2102.2/GC2102.2	120.7
G2102.5/GC2102.5	127.0
G2103.0/GC2103.0	139.7
G2103.5/GC2103.5	152.4
G2104.0/GC2104.0	165.1

G210X.X-M18/GC210X.X-M18

G210X.X-M11/GC210X.X-M11 or G2120X.X/GC2120X.X (No M18/M11) (CW Model Shown)



NOTE: PUMP HANDLE SHOWN STORED, MAY BE MOVED UP OR DOWN

Actuator Model	A	Actuator Model	A
G2101.7-M18/GC2101.7-M18	114.3	G21201.7/GC21201.7	114.3
G2102.0-M18/GC2102.0-M18	117.3	G21202.0/GC21202.0	117.3
G2102.2-M18/GC2102.2-M18	120.7	G21202.2/GC21202.2	120.7
G2102.5-M18/GC2102.5-M18	127.0	G21202.5/GC21202.5	127.0
G2103.0-M18/GC2103.0-M18	139.7	G21203.0/GC21203.0	139.7
G2103.5-M18/GC2103.5-M18	152.4	G21203.5/GC21203.5	152.4
G2104.0-M18/GC2104.0-M18	165.1	G21204.0/GC21204.0	165.1

Note: Not Certified dimensional drawings. Such drawings available on request. Contact factory with correct model designation and serial number. All dimensions are expressed in millimeters.

* Dimension A remain the same in case -M11 in actuator model.

BETTIS™

EMERSON™

Data sheet

Sheet No.: GHM 3.06

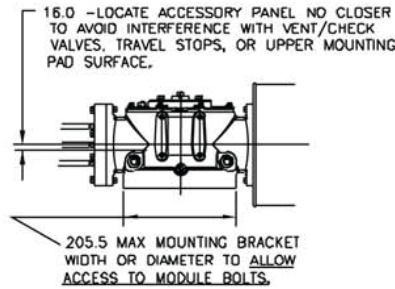
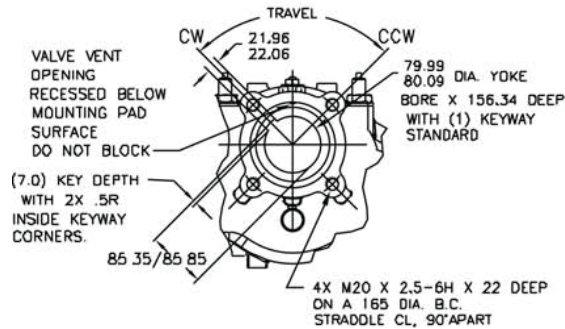
Date: April 2020

G/GC-Series

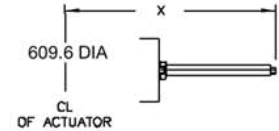
Dimensions – (Hydraulic) mm. G/GC-Series

Double-Acting Actuators
Valve/Accessory Mounting Details

Adjustable End Stops



ACCESSORY PAD
NO. 2 DETAIL



	X (-ETS) Extended Travel Stop	X End Stop	Z* (M3/M3HW) Jackscrew
Power Module	719.3	543.8	C/F*
Blind End Cap Module	427.5	252.0	572.8
Spring Module	1224.8	1049.3	1278.9

C/F Consult Factory

***Note:** Jackscrews are not recommended for use on hydraulic cylinders. If used, they are allowable on the Spring Module or Blind End Cap Modules ends *only*. It is probable that some leakage of hydraulic fluid past the jackscrew pressure containing thread seals will occur over time if used on the Power Module side, negating any warranty for hydraulic Power Modules.

Note: Not Certified dimensional drawings. Such drawings available on request. Contact factory with correct model designation and serial number. All dimensions are expressed in millimeters.

BETTIS™

EMERSON™

Data sheet

Sheet No.: GHM 3.07

Date: April 2020

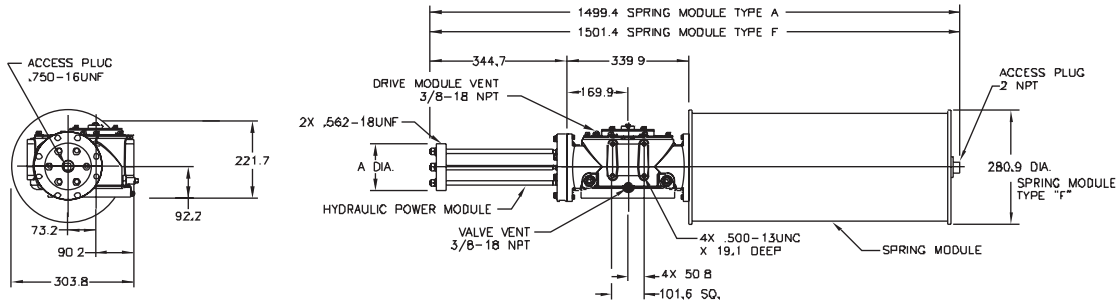
G/GC-Series

Dimensions – (Hydraulic) mm.

G/GC-Series

Spring-Return Actuators

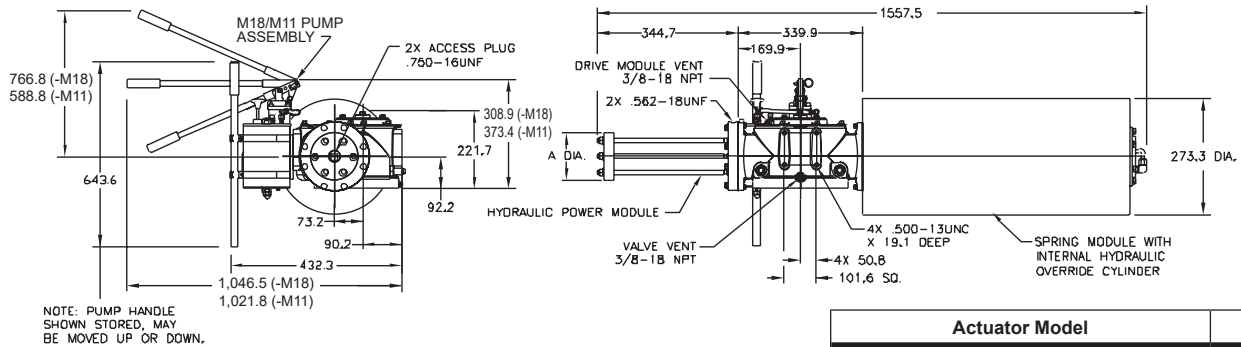
G210X.X-SR/GC210X.X-SR (CW Model Shown)



Actuator Model	A
G2101.7-SR/GC2101.7-SR	114.3
G2102.0-SR/GC2102.0-SR	117.3
G2102.2-SR/GC2102.2-SR	120.7
G2102.5-SR/GC2102.5-SR	127.0
G2103.0-SR/GC2103.0-SR	139.7
G2103.5-SR/GC2103.5-SR	152.4
G2104.0-SR/GC2104.0-SR	165.1

G210X.X-SR-M18/GC210X.X-SR-M18

G210X.X-SR-M11/GC210X.X-SR-M11 (CW Model Shown)



Actuator Model	A
G2101.7-SR-M18/GC2101.7-SR-M18	114.3
G2102.0-SR-M18/GC2102.0-SR-M18	117.3
G2102.2-SR-M18/GC2102.2-SR-M18	120.7
G2102.5-SR-M18/GC2102.5-SR-M18	127.0
G2103.0-SR-M18/GC2103.0-SR-M18	139.7
G2103.5-SR-M18/GC2103.5-SR-M18	152.4
G2104.0-SR-M18/GC2104.0-SR-M18	165.1

Note: Not Certified dimensional drawings. Such drawings available on request.
Contact factory with correct model designation and serial number.
All dimensions are expressed in millimeters.

* Dimension A remain the same in case -M11 in actuator model.

BETTIS™

EMERSON™

Copyright © Emerson. The information in this document is subject to change without notice. Updated data sheets can be obtained from our website www.emerson.com/bettis or from your Emerson Automation Solutions - Actuation Technologies Center.
America's: +1 281 477 4100 Europe: +36 22 53 0950 Asia/Pacific: +65 67 77 8211 Middle East: +971 4 811 8100

Data sheet

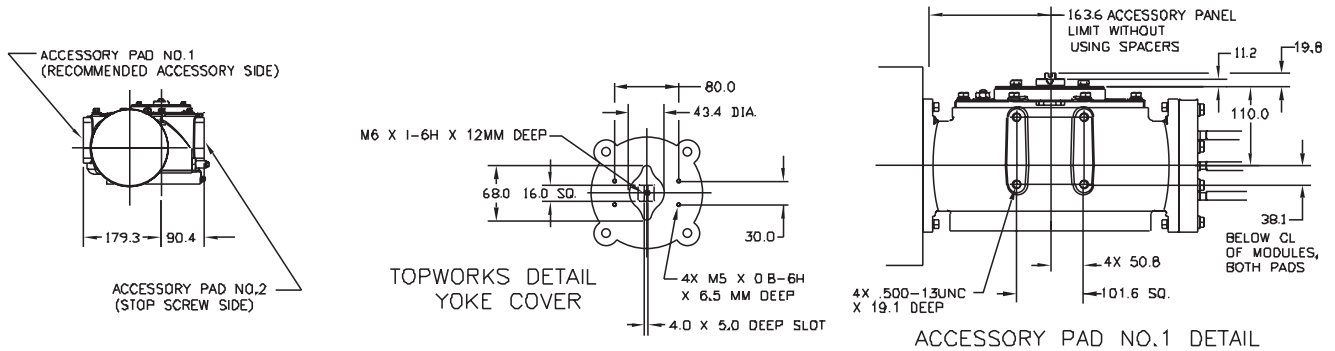
Sheet No.: GHM 3.08

Date: April 2020

G/GC-Series

Dimensions – (Hydraulic) mm. G/GC-Series

Spring-Return Actuators
Accessory Details



Note: Not Certified dimensional drawings. Such drawings available on request.
Contact factory with correct model designation and serial number.
All dimensions are expressed in millimeters.

BETTIS™



EMERSON™

Data sheet

Sheet No.: GHM 3.09

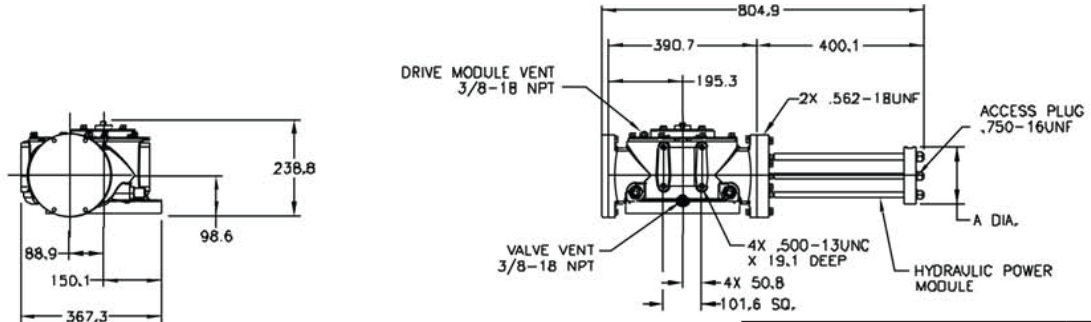
Date: April 2020

G/GC-Series

Dimensions – (Hydraulic) mm.

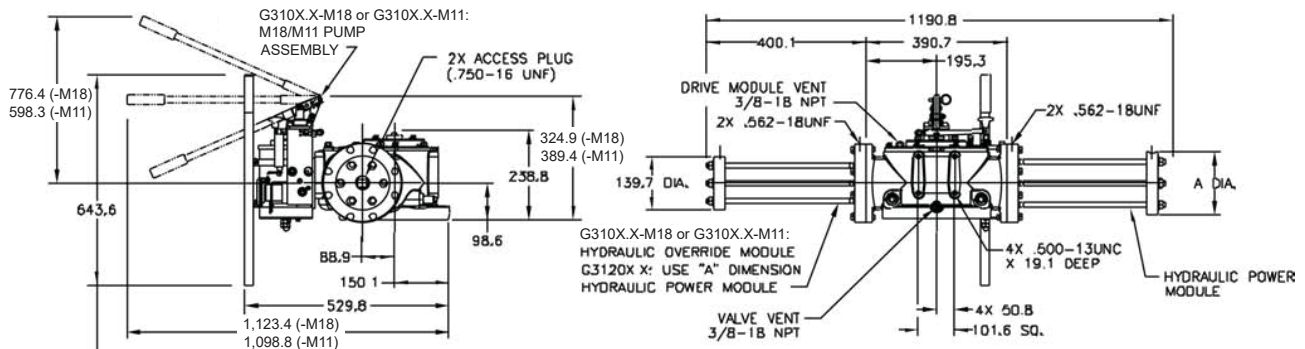
G/GC-Series

Double-Acting Actuators
G310X.X/GC310X.X (CW Model Shown)



Actuator Model	A
G3102.0/GC3102.0	114.3
G3102.2/GC3102.2	120.7
G3102.5/GC3102.5	133.4
G3103.0/GC3103.0	139.7
G3103.5/GC3103.5	152.4
G3104.0/GC3104.0	165.1
G3104.5/GC3104.5	177.8

G310X.X-M18/GC310X.X-M18
G310X.X-M11/GC310X.X-M11 or G3120X.X/GC3120X.X (No M18/M11) (CW Model Shown)



NOTE: PUMP HANDLE SHOWN STORED, MAY BE MOVED UP OR DOWN.

Actuator Model	A	Actuator Model	A
G3102.0-M18/GC3102.0-M18	114.3	G31202.0/GC31202.0	114.3
G3102.2-M18/GC3102.2-M18	120.7	G31202.2/GC31202.2	120.7
G3102.5-M18/GC3102.5-M18	133.4	G31202.5/GC31202.5	133.4
G3103.0-M18/GC3103.0-M18	139.7	G31203.0/GC31203.0	139.7
G3103.5-M18/GC3103.5-M18	152.4	G31203.5/GC31203.5	152.4
G3104.0-M18/GC3104.0-M18	165.1	G31204.0/GC31204.0	165.1
G3104.5-M18/GC3104.5-M18	177.8	G31204.5/GC31204.5	177.8

Note: Not Certified dimensional drawings. Such drawings available on request. Contact factory with correct model designation and serial number. All dimensions are expressed in millimeters.

* Dimension A remain the same in case -M11 in actuator model.

BETTIS™

EMERSON™

Data sheet

Sheet No.: GHM 3.10

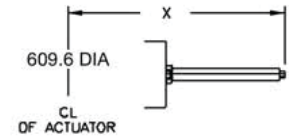
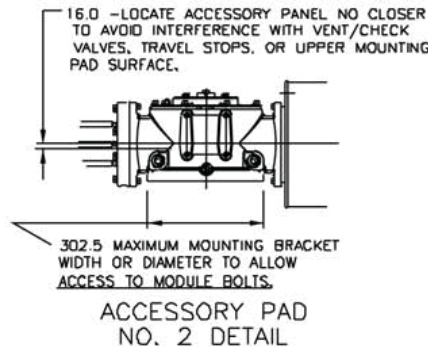
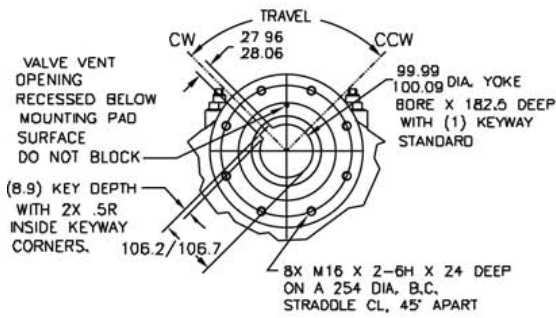
Date: April 2020

G/GC-Series

Dimensions – (Hydraulic) mm. G/GC-Series

Double-Acting Actuators
Valve/Accessory Mounting Details

Adjustable End Stops



	X (-ETS) Extended Travel Stop	X End Stop	Z* (M3/M3HW) Jackscrew
Power Module	840.5	623.1	C/F*
Blind End Cap Module	497.1	281.9	580.6
Spring Module	1353.8	1136.4	1397.0

C/F Consult Factory

***Note:** Jackscrews are not recommended for use on hydraulic cylinders. If used, they are allowable on the Spring Module or Blind End Cap Modules ends *only*. It is probable that some leakage of hydraulic fluid past the jackscrew pressure containing thread seals will occur over time if used on the Power Module side, negating any warranty for hydraulic Power Modules.

Note: Not Certified dimensional drawings. Such drawings available on request. Contact factory with correct model designation and serial number. All dimensions are expressed in millimeters.

BETTIS™

EMERSON™

Data sheet

Sheet No.: GHM 3.11

Date: April 2020

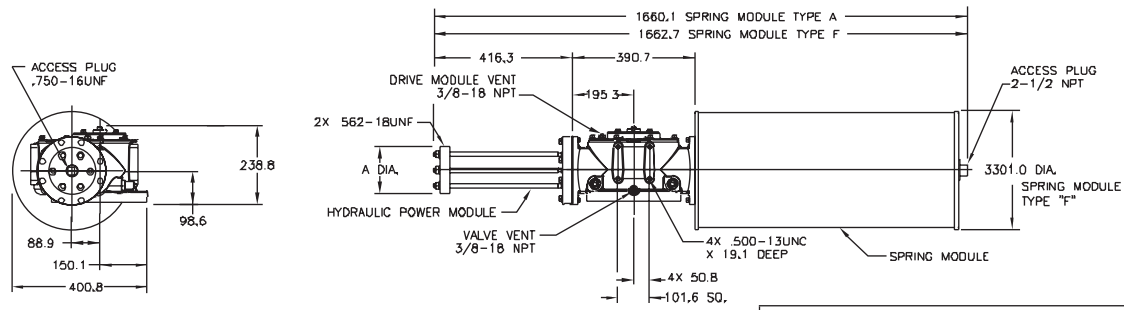
G/GC-Series

Dimensions – (Hydraulic) mm.

G/GC-Series

Spring-Return Actuators

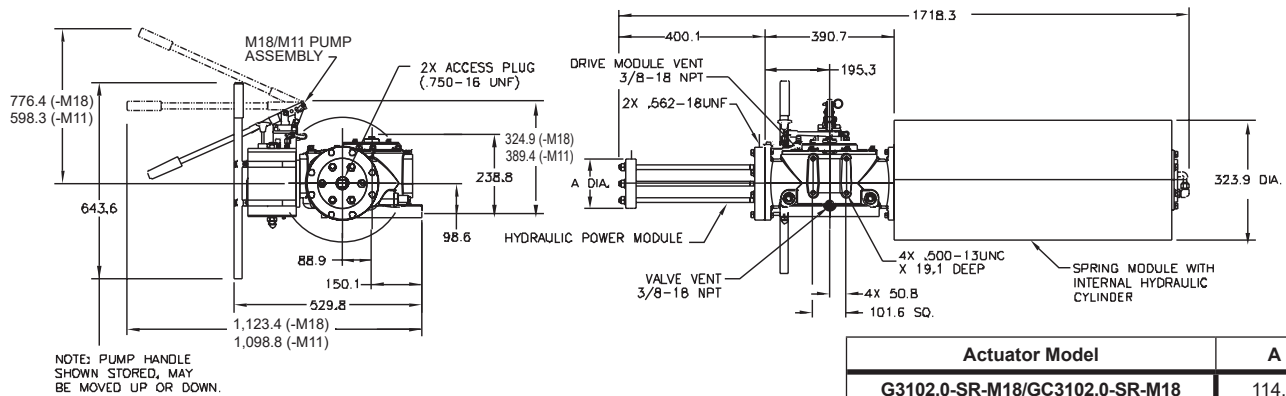
G310X.X-SR/GC310X.X-SR (CW Model Shown)



Actuator Model	A
G3102.0-SR/GC3102.0-SR	114.3
G3102.2-SR/GC3102.2-SR	120.7
G3102.5-SR/GC3102.5-SR	133.4
G3103.0-SR/GC3103.0-SR	139.7
G3103.5-SR/GC3103.5-SR	152.4
G3104.0-SR/GC3104.0-SR	165.1
G3104.5-SR/GC3104.5-SR	177.8

G310X.X-SR-M18/GC310X.X-SR-M18

G310X.X-SR-M11/GC310X.X-SR-M11 (CW Model Shown)



Actuator Model	A
G3102.0-SR-M18/GC3102.0-SR-M18	114.3
G3102.2-SR-M18/GC3102.2-SR-M18	120.7
G3102.5-SR-M18/GC3102.5-SR-M18	133.4
G3103.0-SR-M18/GC3103.0-SR-M18	139.7
G3103.5-SR-M18/GC3103.5-SR-M18	152.4
G3104.0-SR-M18/GC3104.0-SR-M18	165.1
G3104.5-SR-M18/GC3104.5-SR-M18	177.8

Note: Not Certified dimensional drawings. Such drawings available on request.
 Contact factory with correct model designation and serial number.
 All dimensions are expressed in millimeters.

* Dimension A remain the same in case -M11 in actuator model.

BETTIS™

EMERSON™

Data sheet

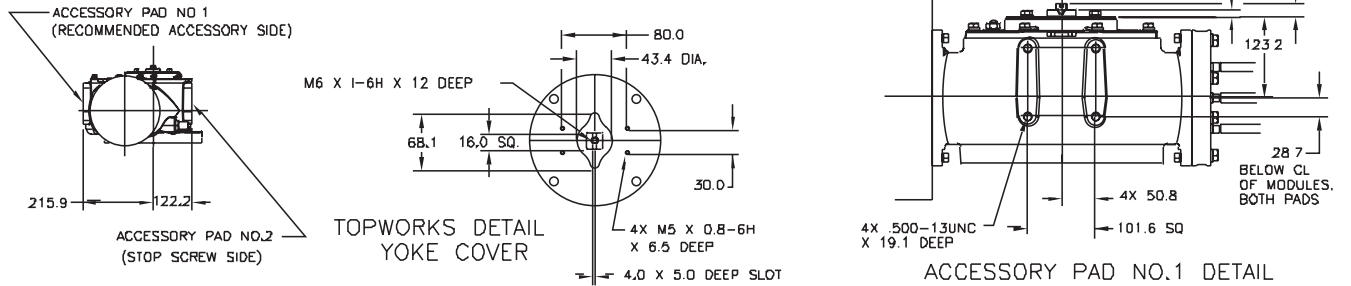
Sheet No.: GHM 3.12

Date: April 2020

G/GC-Series

Dimensions – (Hydraulic) mm. G/GC-Series

Spring-Return Actuators
Accessory Details



Note: Not Certified dimensional drawings. Such drawings available on request.
Contact factory with correct model designation and serial number.
All dimensions are expressed in millimeters.

BETTISTM

Copyright © Emerson. The information in this document is subject to change without notice. Updated data sheets can be obtained from our website www.emerson.com/bettis or from your Emerson Automation Solutions - Actuation Technologies Center:
America's: +1 281 477 4100 Europe: +36 22 53 0950 Asia/Pacific: +65 67 77 8211 Middle East: +971 4 811 8100


EMERSONTM

Data sheet

Sheet No.: GHM 3.13

Date: April 2020

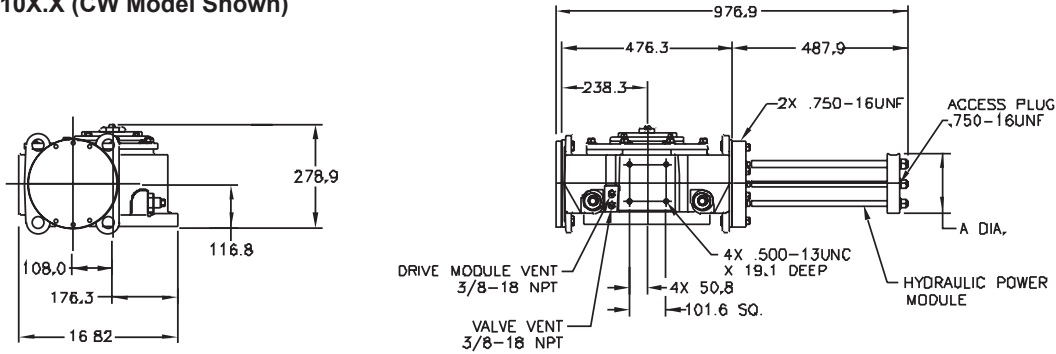
G/GC-Series

Dimensions – (Hydraulic) mm.

G/GC-Series

Double-Acting Actuators

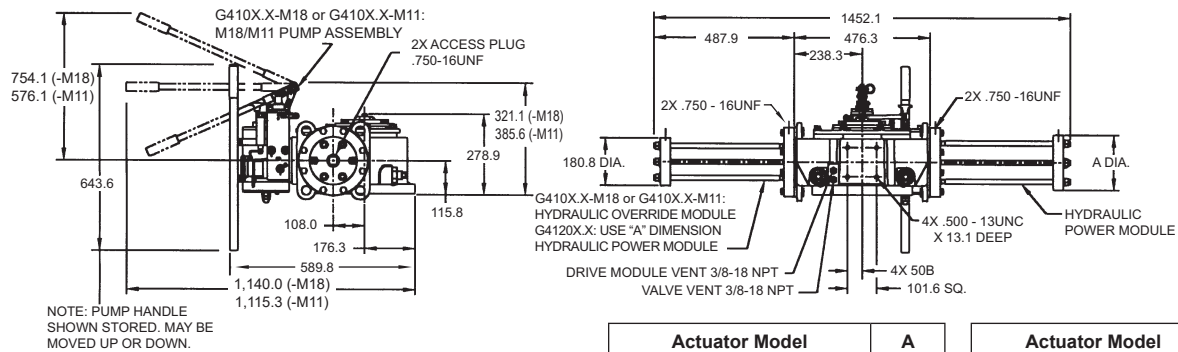
G410X.X/GC410X.X (CW Model Shown)



Actuator Model	A
G4102.5/GC4102.5	143.8
G4103.0/GC4103.0	165.1
G4103.5/GC4103.5	171.5
G4104.0/GC4104.0	180.8
G4104.5/GC4104.5	190.5
G4105.0/GC4105.0	203.2
G4106.0/GC4106.0	228.6

G410X.X-M18/GC410X.X-M18

G410X.X-M11/GC410X.X-M11 or G4120X.X/GC4120X.X (No M11) (CW Model Shown)



Actuator Model	A
G4102.5-M18/GC4102.5-M18	143.8
G4103.0-M18/GC4103.0-M18	165.1
G4103.5-M18/GC4103.5-M18	171.5
G4104.0-M18/GC4104.0-M18	180.8
G4104.5-M18/GC4104.5-M18	190.5
G4105.0-M18/GC4105.0-M18	203.2
G4106.0-M18/GC4106.0-M18	228.6

Actuator Model	A
G41202.5/GC41202.5	143.8
G41203.0/GC41203.0	165.1
G41203.5/GC41203.5	171.5
G41204.0/GC41204.0	180.8
G40204.5/GC40204.5	190.5
G41205.0/GC41205.0	203.2
G41206.0/GC41206.0	228.6

Note: Not Certified dimensional drawings. Such drawings available on request. Contact factory with correct model designation and serial number. All dimensions are expressed in millimeters.

* Dimension A remain the same in case -M11 in actuator model.

BETTIS™

EMERSON™

Copyright © Emerson. The information in this document is subject to change without notice. Updated data sheets can be obtained from our website www.emerson.com/bettis or from your Emerson Automation Solutions - Actuation Technologies Center:
America's: +1 281 477 4100 **Europe:** +36 22 53 0950 **Asia/Pacific:** +65 67 77 8211 **Middle East:** +971 4 811 8100

Data sheet

Sheet No.: GHM 3.14

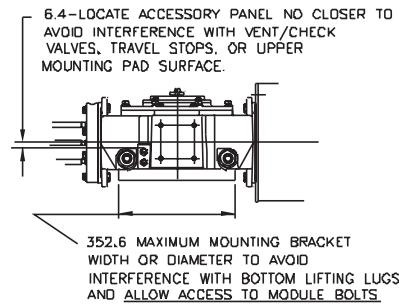
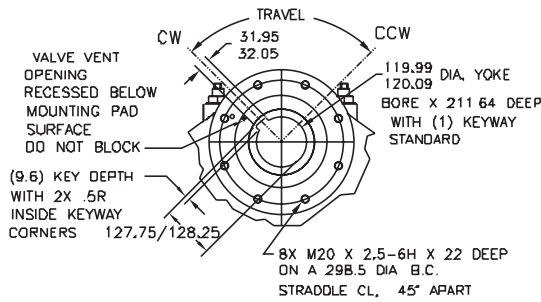
Date: April 2020

G/GC-Series

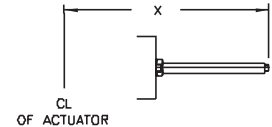
Dimensions – (Hydraulic) mm. G/GC-Series

Double-Acting Actuators
Valve/Accessory Mounting Details

Adjustable End Stops



ACCESSORY PAD NO.2 DETAIL



	X Extended Travel Stop	X End Stop
Power Module	1009.4	790.4
Blind End Cap Module	592.3	373.4
Spring Module	1539.5	1263.7

Note: Not Certified dimensional drawings. Such drawings available on request.
Contact factory with correct model designation and serial number.
All dimensions are expressed in millimeters.

BETTIS™

EMERSON™

Data sheet

Sheet No.: GHM 3.15

Date: April 2020

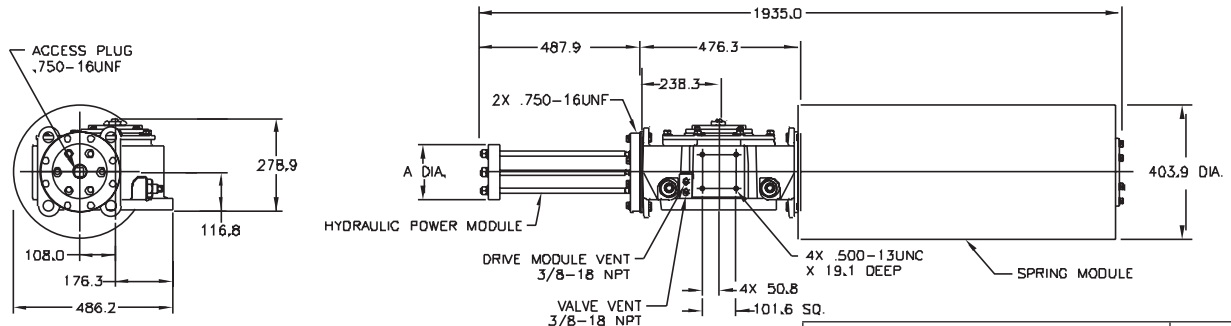
G/GC-Series

Dimensions – (Hydraulic) mm.

G/GC-Series

Spring-Return Actuators

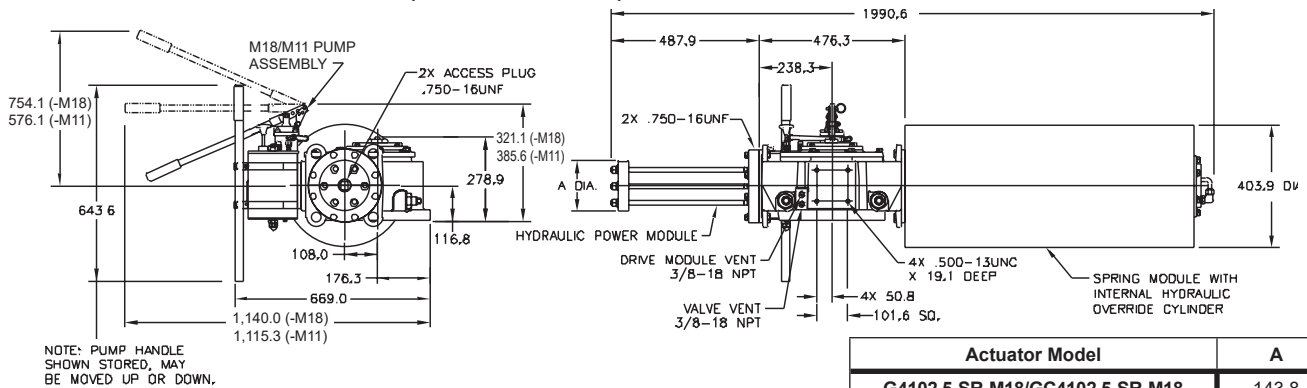
G410X.X-SR/GC410X.X-SR (CW Model Shown)



Actuator Model	A
G4102.5-SR/GC4102.5-SR	143.8
G4103.0-SR/GC4103.0-SR	165.1
G4103.5-SR/GC4103.5-SR	171.5
G4104.0-SR/GC4104.0-SR	180.8
G4104.5-SR/GC4104.5-SR	190.5
G4105.0-SR/GC4105.0-SR	203.2
G4106.0-SR/GC4106.0-SR	228.6

G410X.X-SR-M18/GC410X.X-SR-M18

G410X.X-SR-M11/GC410X.X-SR-M11 (CW Model Shown)



NOTE: PUMP HANDLE SHOWN STORED, MAY BE MOVED UP OR DOWN.

Actuator Model	A
G4102.5-SR-M18/GC4102.5-SR-M18	143.8
G4103.0-SR-M18/GC4103.0-SR-M18	165.1
G4103.5-SR-M18/GC4103.5-SR-M18	171.5
G4104.0-SR-M18/GC4104.0-SR-M18	180.8
G4104.5-SR-M18/GC4104.5-SR-M18	190.5
G4105.0-SR-M18/GC4105.0-SR-M18	203.2
G4106.0-SR-M18/GC4106.0-SR-M18	228.6

Note: Not Certified dimensional drawings. Such drawings available on request.
 Contact factory with correct model designation and serial number.
 All dimensions are expressed in millimeters.

* Dimension A remain the same in case -M11 in actuator model.

BETTIS™

EMERSON™

Copyright © Emerson. The information in this document is subject to change without notice. Updated data sheets can be obtained from our website www.emerson.com/bettis or from your Emerson Automation Solutions - Actuation Technologies Center:
 America's: +1 281 477 4100 Europe: +36 22 53 0950 Asia/Pacific: +65 67 77 8211 Middle East: +971 4 811 8100

Data sheet

Sheet No.: GHM 3.16

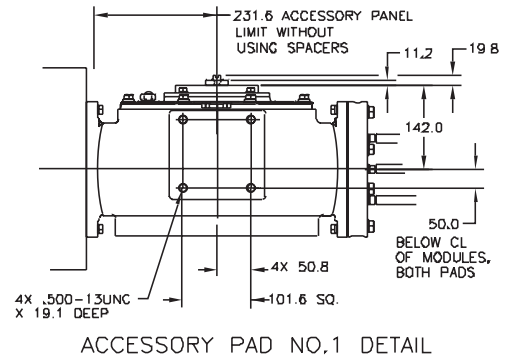
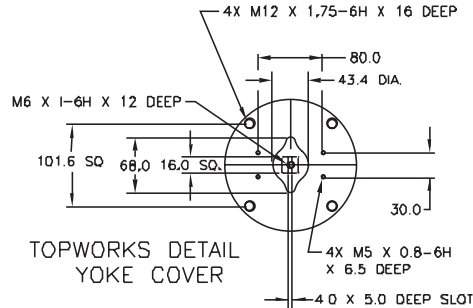
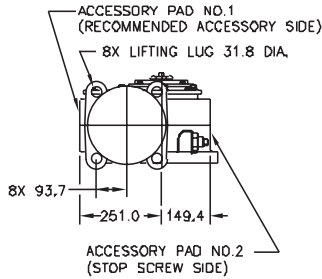
Date: April 2020

G/GC-Series

Dimensions – (Hydraulic) mm.

G/GC-Series

Spring-Return Actuators
Lug/Accessory Details



Note: Not Certified dimensional drawings. Such drawings available on request.
Contact factory with correct model designation and serial number.
All dimensions are expressed in millimeters.

BETTISTM

Copyright © Emerson. The information in this document is subject to change without notice. Updated data sheets can be obtained from our website www.emerson.com/bettis or from your Emerson Automation Solutions - Actuation Technologies Center:
America's: +1 281 477 4100 Europe: +36 22 53 0950 Asia/Pacific: +65 67 77 8211 Middle East: +971 4 811 8100



EMERSONTM

Data sheet

Sheet No.: GHM 3.17

Date: April 2020

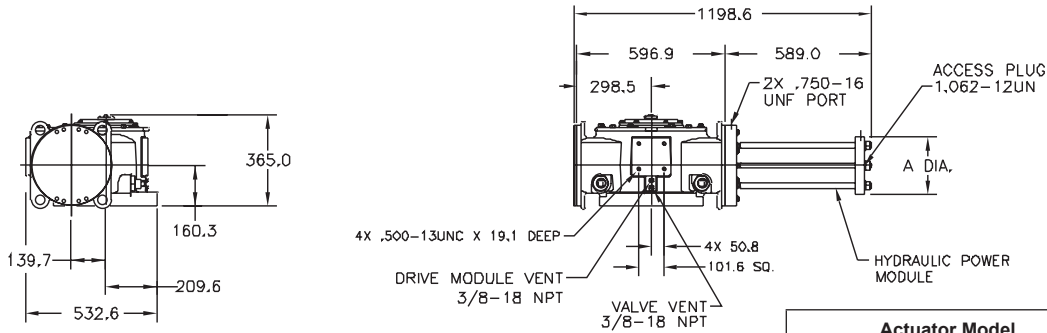
G/GC-Series

Dimensions – (Hydraulic) mm.

G/GC-Series

Double-Acting Actuators

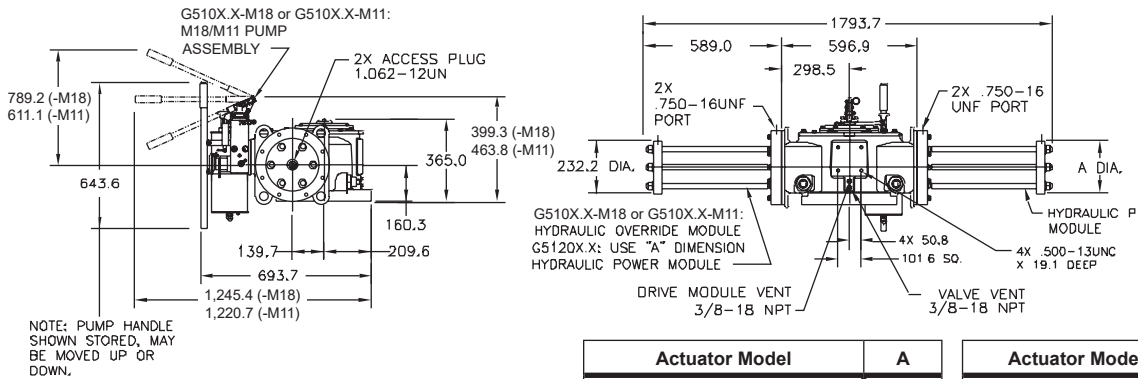
G510X.X/GC510X.X (CW Model Shown)



Actuator Model	A
G5103.5/GC5103.5	193.8
G5104.0/GC5104.0	206.5
G5104.5/GC5104.5	219.2
G5105.0/GC5105.0	225.8
G5106.0/GC5106.0	247.7
G5107.0/GC5107.0	270.0
G5108.0/GC5108.0	301.8

G510X.X-M18/GC510X.X-M18

G510X.X-M11/GC510X.X-M11 or G5120X.X/GC5120X.X (No M18/M11) (CW Model Shown)



NOTE: PUMP HANDLE SHOWN STORED, MAY BE MOVED UP OR DOWN.

Actuator Model	A	Actuator Model	A
G5103.5-M18/GC5103.5-M18	193.8	G51203.5/GC51203.5	193.8
G5104.0-M18/GC5104.0-M18	206.5	G51204.0/GC51204.0	206.5
G5104.5-M18/GC5104.5-M18	219.2	G51204.5/GC51204.5	219.2
G5105.0-M18/GC5105.0-M18	225.8	G51205.0/GC51205.0	225.8
G5106.0-M18/GC5106.0-M18	247.7	G51206.0/GC51206.0	247.7
G5107.0-M18/GC5107.0-M18	270.0	G51207.0/GC51207.0	270.0
G5108.0-M18/GC5108.0-M18	301.8	G51208.0/GC51208.0	301.8

Note: Not Certified dimensional drawings. Such drawings available on request. Contact factory with correct model designation and serial number. All dimensions are expressed in millimeters.

* Dimension A remain the same in case -M11 in actuator model.

BETTIS™

EMERSON™

Data sheet

Sheet No.: GHM 3.18

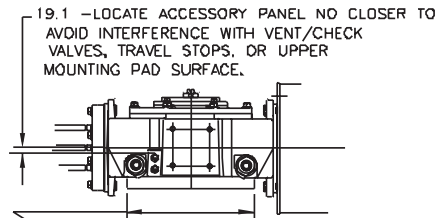
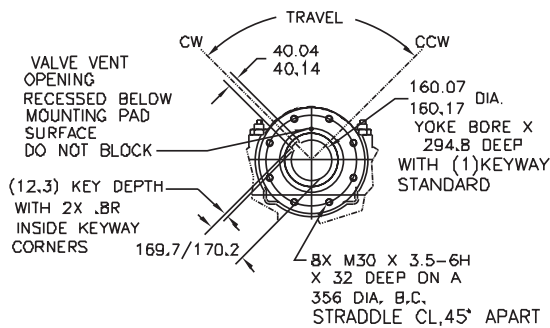
Date: April 2020

G/GC-Series

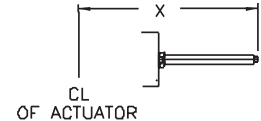
Dimensions – (Hydraulic) mm. G/GC-Series

Double-Acting Actuators
Valve/Accessory Mounting Details

Adjustable End Stops



ACCESSORY PAD NO.2 DETAIL



	X Extended Travel Stop	X End Stop
Power Module	1271.8	979.9
Blind End Cap Module	717.6	441.5
Spring Module	1790.7	1333.5

Note: Not Certified dimensional drawings. Such drawings available on request.
Contact factory with correct model designation and serial number.
All dimensions are expressed in millimeters.

BETTIS™


EMERSON™

Copyright © Emerson. The information in this document is subject to change without notice. Updated data sheets can be obtained from our website www.emerson.com/bettis or from your Emerson Automation Solutions - Actuation Technologies Center:
America's: +1 281 477 4100 Europe: +36 22 53 0950 Asia/Pacific: +65 67 77 8211 Middle East: +971 4 811 8100

Data sheet

Sheet No.: GHM 3.19

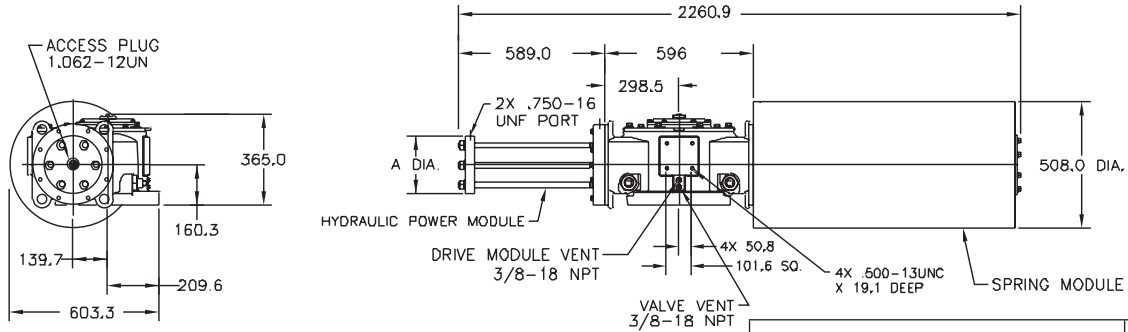
Date: April 2020

G/GC-Series

Dimensions – (Hydraulic) mm. G/GC-Series

Spring-Return Actuators

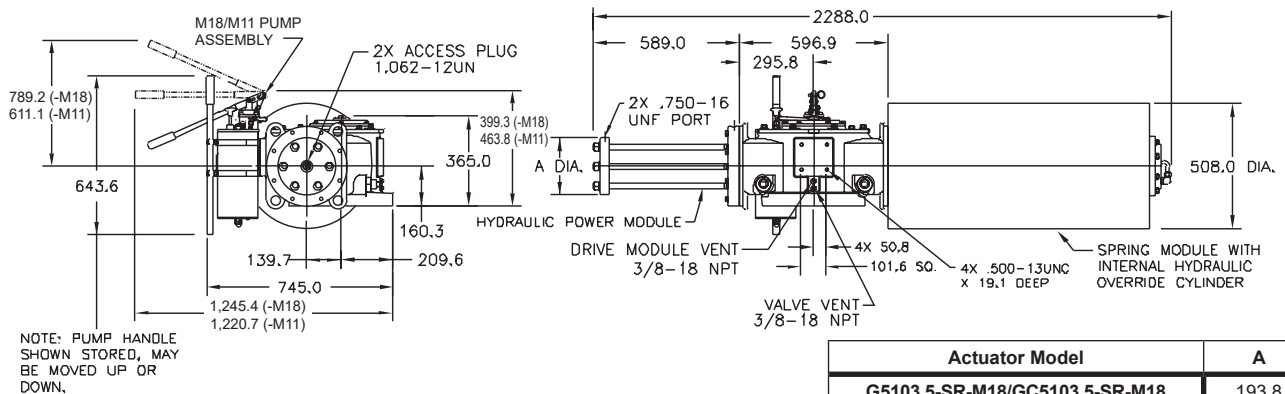
G510X.X-SR/GC510X.X-SR (CW Model Shown)



Actuator Model	A
G5103.5-SR/GC5103.5-SR	193.8
G5104.0-SR/GC5104.0-SR	206.5
G5104.5-SR/GC5104.5-SR	219.2
G5105.0-SR/GC5105.0-SR	225.8
G5106.0-SR/GC5106.0-SR	247.7
G5107.0-SR/GC5107.0-SR	270.0
G5108.0-SR/GC5108.0-SR	301.8

G510X.X-SR-M18/GC510X.X-SR-M18

G510X.X-SR-M11/GC510X.X-SR-M11 (CW Model Shown)



Actuator Model	A
G5103.5-SR-M18/GC5103.5-SR-M18	193.8
G5104.0-SR-M18/GC5104.0-SR-M18	206.5
G5104.5-SR-M18/GC5104.5-SR-M18	219.2
G5105.0-SR-M18/GC5105.0-SR-M18	225.8
G5106.0-SR-M18/GC5106.0-SR-M18	247.7
G5107.0-SR-M18/GC5107.0-SR-M18	270.0
G5108.0-SR-M18/GC5108.0-SR-M18	301.8

Note: Not Certified dimensional drawings. Such drawings available on request.

Contact factory with correct model designation and serial number.

All dimensions are expressed in millimeters.

* Dimension A remain the same in case -M11 in actuator model.

BETTIS™

EMERSON™

Copyright © Emerson. The information in this document is subject to change without notice. Updated data sheets can be obtained from our website www.emerson.com/bettis or from your Emerson Automation Solutions - Actuation Technologies Center:

America's: +1 281 477 4100 Europe: +36 22 53 0950 Asia/Pacific: +65 67 77 8211 Middle East: +971 4 811 8100

Data sheet

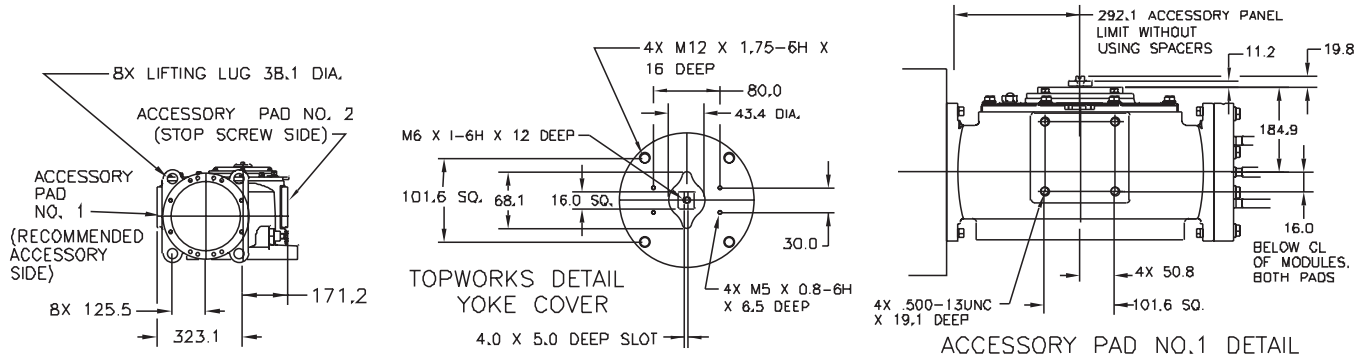
Sheet No.: GHM 3.20

Date: April 2020

G/GC-Series

Dimensions – (Hydraulic) mm. G/GC-Series

Spring-Return Actuators
Lug/Accessory Details



Note: Not Certified dimensional drawings. Such drawings available on request.
Contact factory with correct model designation and serial number.
All dimensions are expressed in millimeters.

BETTIS™

Copyright © Emerson. The information in this document is subject to change without notice. Updated data sheets can be obtained from our website www.emerson.com/bettis or from your Emerson Automation Solutions - Actuation Technologies Center:
America's: +1 281 477 4100 Europe: +36 22 53 0950 Asia/Pacific: +65 67 77 8211 Middle East: +971 4 811 8100

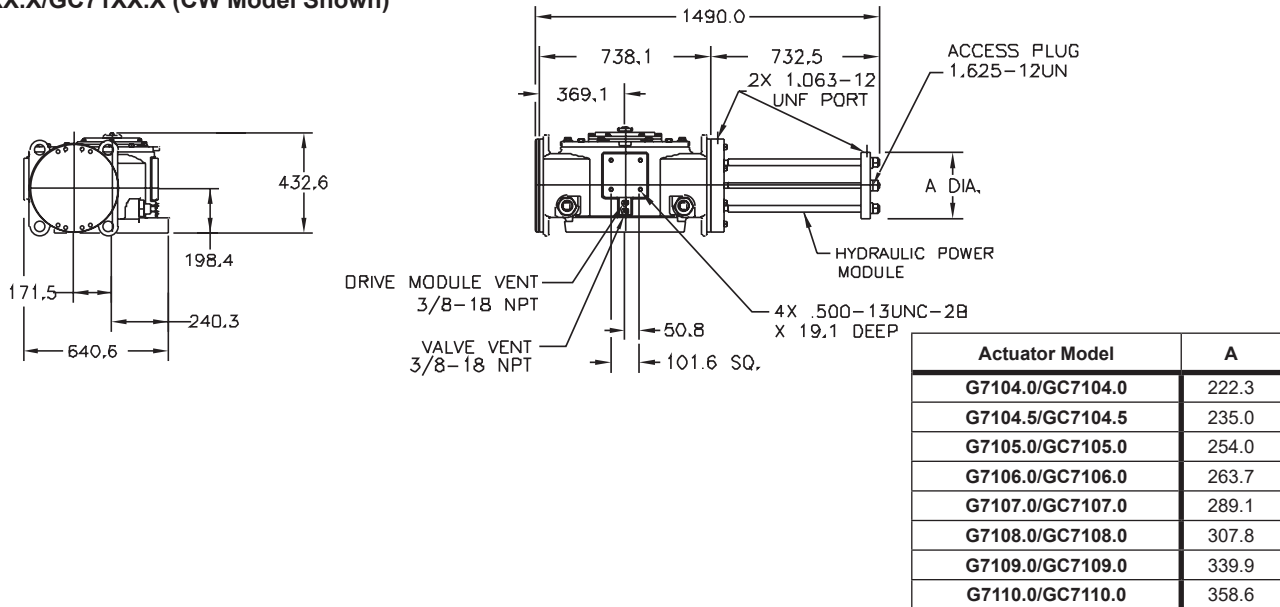
EMERSON™

Dimensions – (Hydraulic) mm.

G/GC-Series

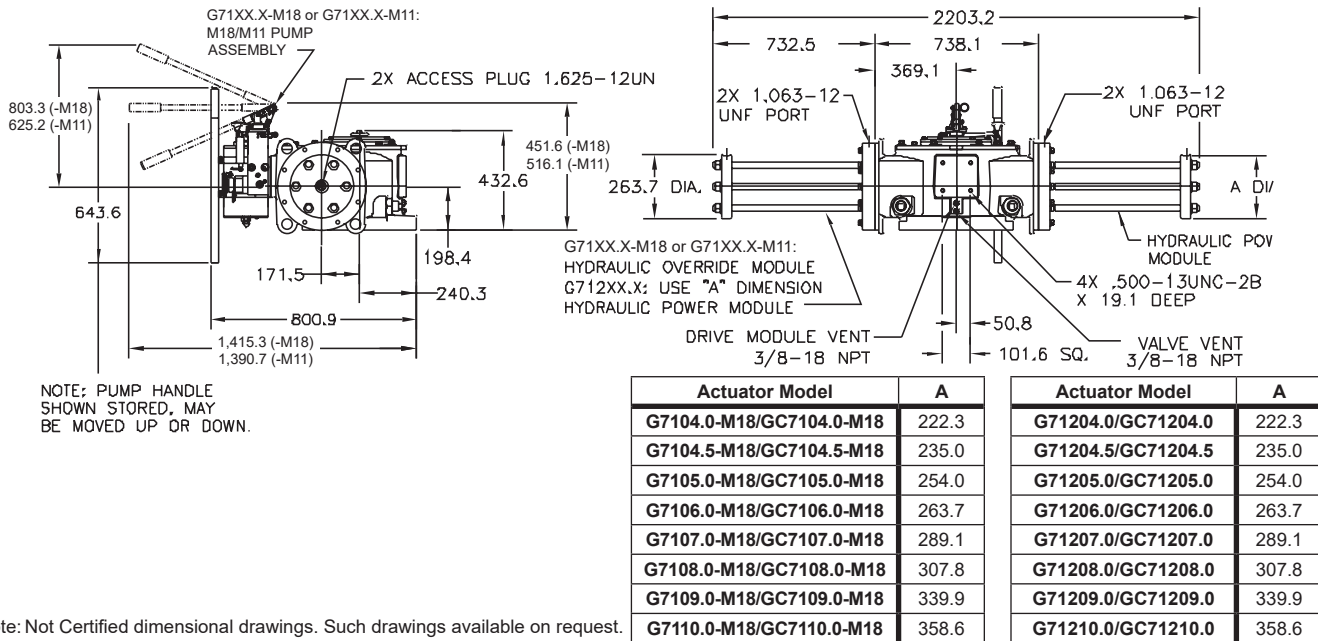
Double-Acting Actuators

G71XX.X/GC71XX.X (CW Model Shown)



G71XX.X-M18/GC71XX.X-M18

G71XX.X-M11/GC71XX.X-M11 or G712XX.X/GC712XX.X (No M18/M11) (CW Model Shown)



NOTE: PUMP HANDLE SHOWN STORED. MAY BE MOVED UP OR DOWN.

Note: Not Certified dimensional drawings. Such drawings available on request. Contact factory with correct model designation and serial number. All dimensions are expressed in millimeters.

* Dimension A remain the same in case -M11 in actuator model.

Data sheet

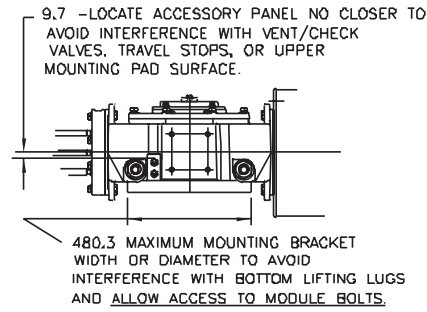
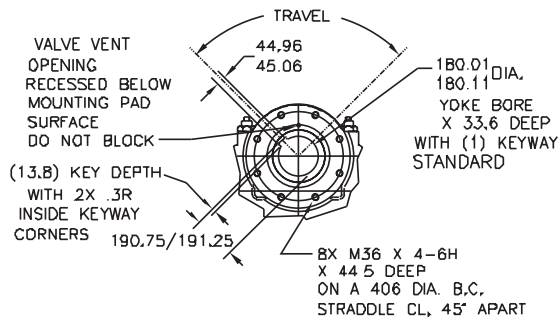
Sheet No.: GHM 3.22

Date: April 2020

G/GC-Series

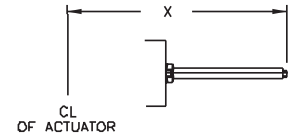
Dimensions – (Hydraulic) mm. G/GC-Series

Double-Acting Actuators Valve/Accessory Mounting Details



ACCESSORY PAD NO.2 DETAIL

Adjustable End Stops



	X Extended Travel Stop	X End Stop
Power Module	1548.6	1186.7
Blind End Cap Module	902.5	540.5
Spring Module	2313.9	1382.8

Note: Not Certified dimensional drawings. Such drawings available on request.
Contact factory with correct model designation and serial number.
All dimensions are expressed in millimeters.

BETTIS™

Copyright © Emerson. The information in this document is subject to change without notice. Updated data sheets can be obtained from our website www.emerson.com/bettis or from your Emerson Automation Solutions - Actuation Technologies Center:
America's: +1 281 477 4100 Europe: +36 22 53 0950 Asia/Pacific: +65 67 77 8211 Middle East: +971 4 811 8100


EMERSON™

Data sheet

Sheet No.: GHM 3.23

Date: April 2020

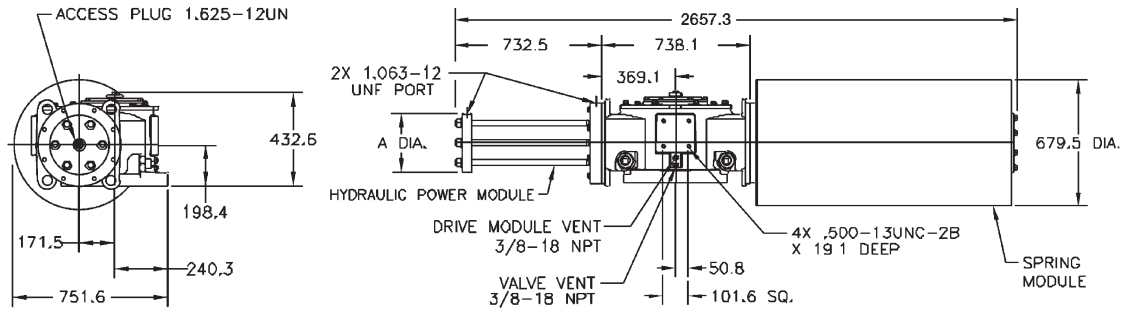
G/GC-Series

Dimensions – (Hydraulic) mm.

G/GC-Series

Spring-Return Actuators

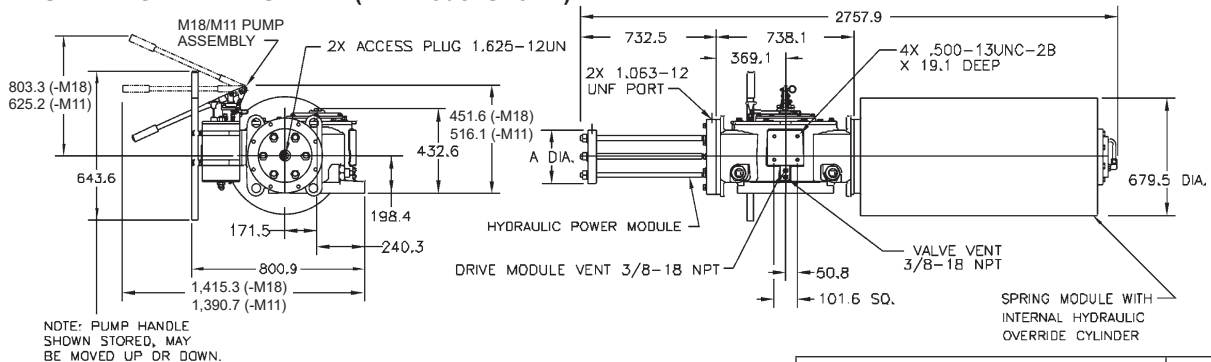
G71XX.X-SR/GC71XX.X-SR (CW Model Shown)



Actuator Model	A
G7104.0-SR/GC7104.0-SR	222.3
G7104.5-SR/GC7104.5-SR	235.0
G7105.0-SR/GC7105.0-SR	254.0
G7106.0-SR/GC7106.0-SR	263.7
G7107.0-SR/GC7107.0-SR	289.1
G7108.0-SR/GC7108.0-SR	307.8
G7109.0-SR/GC7109.0-SR	339.9
G7110.0-SR/GC7110.0-SR	358.6

G71XX.X-SR-M18/GC71XX.X-SR-M18

G71XX.X-SR-M11/GC71XX.X-SR-M11 (CW Model Shown)



Actuator Model	A
G7104.0-SR-M18/GC7104.0-SR-M18	222.3
G7104.5-SR-M18/GC7104.5-SR-M18	235.0
G7105.0-SR-M18/GC7105.0-SR-M18	254.0
G7106.0-SR-M18/GC7106.0-SR-M18	263.7
G7107.0-SR-M18/GC7107.0-SR-M18	289.1
G7108.0-SR-M18/GC7108.0-SR-M18	307.8
G7109.0-SR-M18/GC7109.0-SR-M18	339.9
G7110.0-SR-M18/GC7110.0-SR-M18	358.6

Note: Not Certified dimensional drawings. Such drawings available on request.
 Contact factory with correct model designation and serial number.
 All dimensions are expressed in millimeters.

* Dimension A remain the same in case -M11 in actuator model.

BETTIS™

EMERSON™

Copyright © Emerson. The information in this document is subject to change without notice. Updated data sheets can be obtained from our website www.emerson.com/bettis or from your Emerson Automation Solutions - Actuation Technologies Center:
America's: +1 281 477 4100 **Europe:** +36 22 53 0950 **Asia/Pacific:** +65 67 77 8211 **Middle East:** +971 4 811 8100

Data sheet

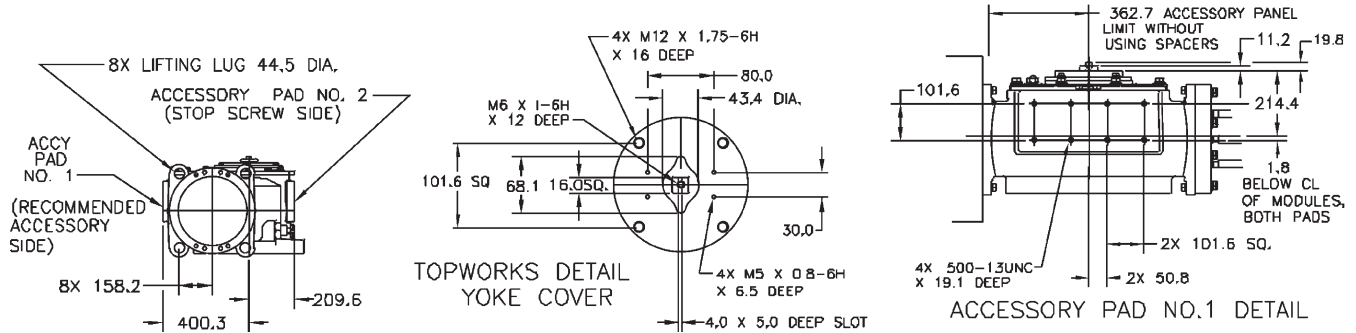
Sheet No.: GHM 3.24

Date: April 2020

G/GC-Series

Dimensions – (Hydraulic) mm. G/GC-Series

Spring-Return Actuators
Lug/Accessory Details



Note: Not Certified dimensional drawings. Such drawings available on request.
Contact factory with correct model designation and serial number.
All dimensions are expressed in millimeters.

BETTIS™

Copyright © Emerson. The information in this document is subject to change without notice. Updated data sheets can be obtained from our website www.emerson.com/bettis or from your Emerson Automation Solutions - Actuation Technologies Center:
America's: +1 281 477 4100 Europe: +36 22 53 0950 Asia/Pacific: +65 67 77 8211 Middle East: +971 4 811 8100



EMERSON™

Data sheet

Sheet No.: GHM 3.25

Date: April 2020

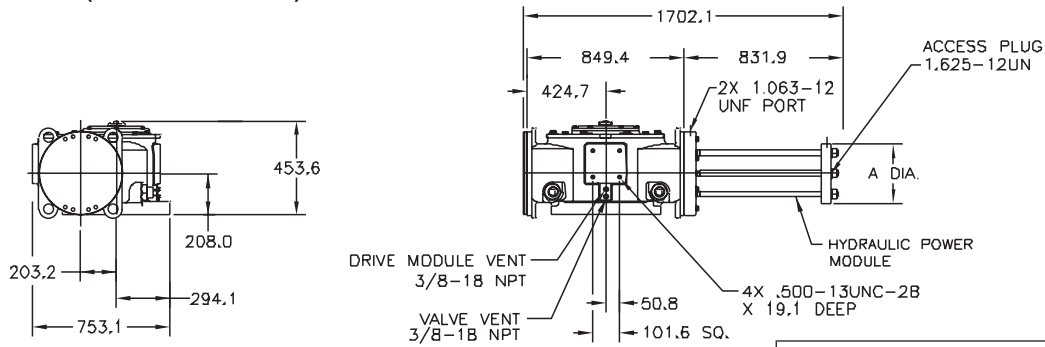
G/GC-Series

Dimensions – (Hydraulic) mm.

G/GC-Series

Double-Acting Actuators

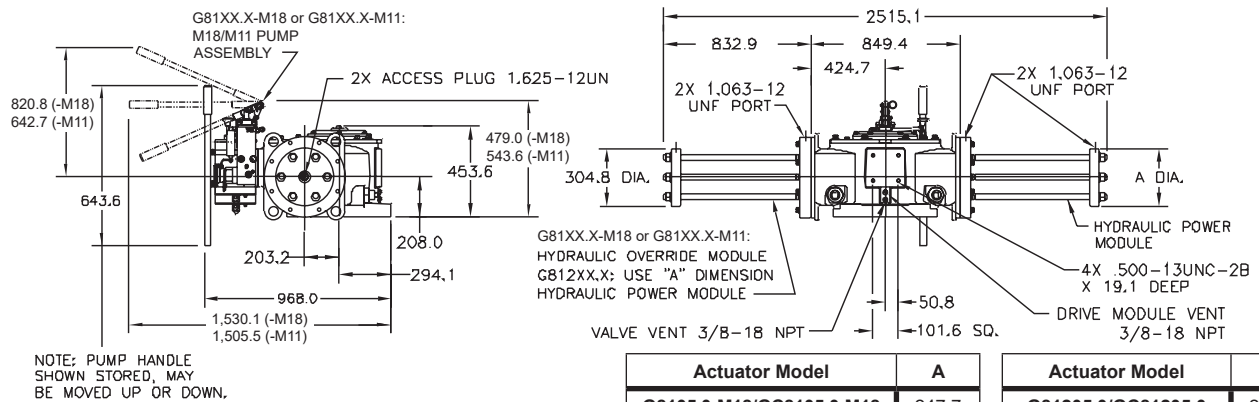
G81XX.X/GC81XX.X (CW Model Shown)



Actuator Model	A
G8105.0/GC8105.0	247.7
G8106.0/GC8106.0	292.1
G8107.0/GC8107.0	304.8
G8108.0/GC8108.0	317.5
G8109.0/GC8109.0	342.9
G8110.0/GC8110.0	362.0
G8112.0/GC8112.0	425.5

G81XX.X-M18/GC81XX.X-M18

G81XX.X-M11/GC81XX.X-M11 or G812XX.X/CG812XX.X (No M18/M11) (CW Model Shown)



NOTE: PUMP HANDLE SHOWN STORED, MAY BE MOVED UP OR DOWN.

Actuator Model	A	Actuator Model	A
G8105.0-M18/GC8105.0-M18	247.7	G81205.0/GC81205.0	247.7
G8106.0-M18/GC8106.0-M18	292.1	G81206.0/GC81206.0	292.1
G8107.0-M18/GC8107.0-M18	304.8	G81207.0/GC81207.0	304.8
G8108.0-M18/GC8108.0-M18	317.5	G81208.0/GC81208.0	317.5
G8109.0-M18/GC8109.0-M18	342.9	G81209.0/GC81209.0	342.9
G8110.0-M18/GC8110.0-M18	362.0	G81210.0/GC81210.0	362.0
G8112.0-M18/GC8112.0-M18	425.5	G80212.0/GC80212.0	425.5

Note: Not Certified dimensional drawings. Such drawings available on request. Contact factory with correct model designation and serial number. All dimensions are expressed in millimeters.

* Dimension A remain the same in case -M11 in actuator model.

BETTIS™

EMERSON™

Copyright © Emerson. The information in this document is subject to change without notice. Updated data sheets can be obtained from our website www.emerson.com/bettis or from your Emerson Automation Solutions - Actuation Technologies Center:
America's: +1 281 477 4100 **Europe:** +36 22 53 0950 **Asia/Pacific:** +65 67 77 8211 **Middle East:** +971 4 811 8100

Data sheet

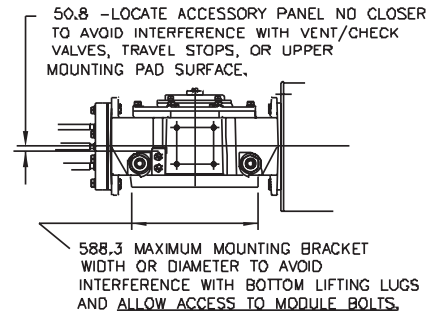
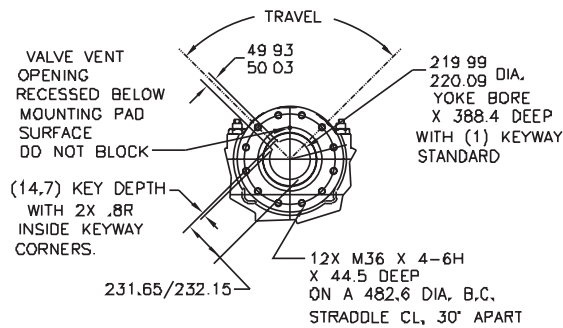
Sheet No.: GHM 3.26

Date: April 2020

G/GC-Series

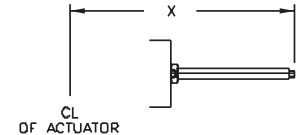
Dimensions – (Hydraulic) mm. G/GC-Series

**Double-Acting Actuators
Valve/Accessory Mounting Details**



ACCESSORY PAD NO.2 DETAIL

Adjustable End Stops



	X Extended Travel Stop	X End Stop
Power Module	1801.9	1381.5
Blind End Cap Module	1032.8	633.0
Spring Module	2845.8	1803.4

Note: Not Certified dimensional drawings. Such drawings available on request.
Contact factory with correct model designation and serial number.
All dimensions are expressed in millimeters.

BETTIS™

EMERSON™

Data sheet

Sheet No.: GHM 3.27

Date: April 2020

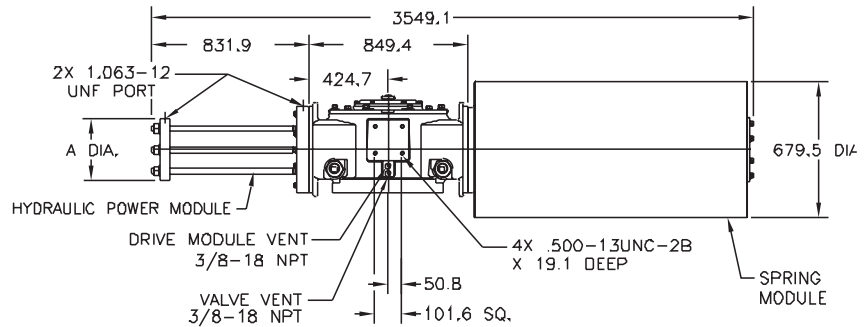
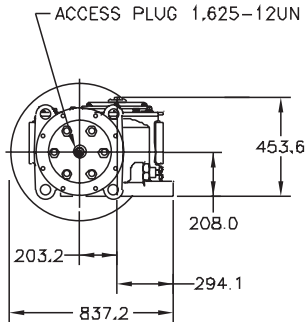
G/GC-Series

Dimensions – (Hydraulic) mm.

G/GC-Series

Spring-Return Actuators

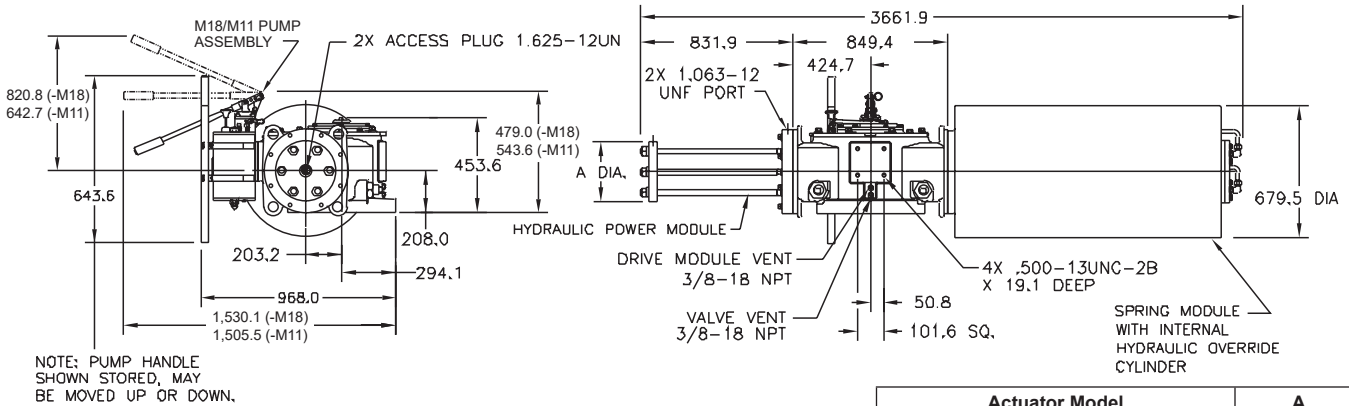
G81XX.X-SR/GC81XX.X-SR (CW Model Shown)



Actuator Model	A
G8105.0-SR/GC8105.0-SR	247.7
G8106.0-SR/GC8106.0-SR	292.1
G8107.0-SR/GC8107.0-SR	304.8
G8108.0-SR/GC8108.0-SR	317.5
G8109.0-SR/GC8109.0-SR	342.9
G8110.0-SR/GC8110.0-SR	362.0
G8112.0-SR/GC8112.0-SR	425.5

G81XX.X-SR-M18/GC81XX.X-SR-M18

G81XX.X-SR-M11/GC81XX.X-SR-M11 (CW Model Shown)



Actuator Model	A
G8105.0-SR-M18/GC8105.0-SR-M18	247.7
G8106.0-SR-M18/GC8106.0-SR-M18	292.1
G8107.0-SR-M18/GC8107.0-SR-M18	304.8
G8108.0-SR-M18/GC8108.0-SR-M18	317.5
G8109.0-SR-M18/GC8109.0-SR-M18	342.9
G8110.0-SR-M18/GC8110.0-SR-M18	362.0
G8112.0-SR-M18/GC8112.0-SR-M18	425.5

Note: Not Certified dimensional drawings. Such drawings available on request.
Contact factory with correct model designation and serial number.
All dimensions are expressed in millimeters.

* Dimension A remain the same in case -M11 in actuator model.

BETTIS™

EMERSON™

Copyright © Emerson. The information in this document is subject to change without notice. Updated data sheets can be obtained from our website www.emerson.com/bettis or from your Emerson Automation Solutions - Actuation Technologies Center:
America's: +1 281 477 4100 Europe: +36 22 53 0950 Asia/Pacific: +65 67 77 8211 Middle East: +971 4 811 8100

Data sheet

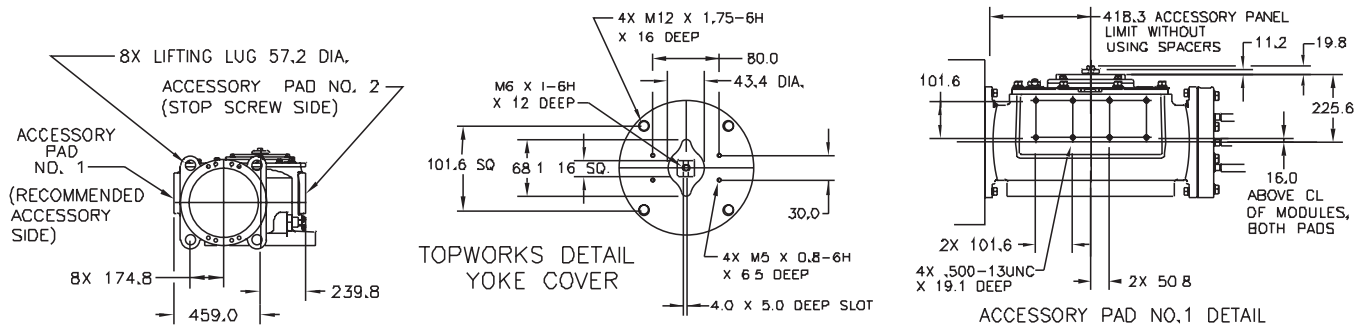
Sheet No.: GHM 3.28

Date: April 2020

G/GC-Series

Dimensions – (Hydraulic) mm. G/GC-Series

Spring-Return Actuators
Lug/Accessory Details



Note: Not Certified dimensional drawings. Such drawings available on request.
Contact factory with correct model designation and serial number.
All dimensions are expressed in millimeters.

BETTIS™

Copyright © Emerson. The information in this document is subject to change without notice. Updated data sheets can be obtained from our website www.emerson.com/bettis or from your Emerson Automation Solutions - Actuation Technologies Center:
America's: +1 281 477 4100 Europe: +36 22 53 0950 Asia/Pacific: +65 67 77 8211 Middle East: +971 4 811 8100



EMERSON™

Data sheet

Sheet No.: GHM 3.29

Date: April 2020

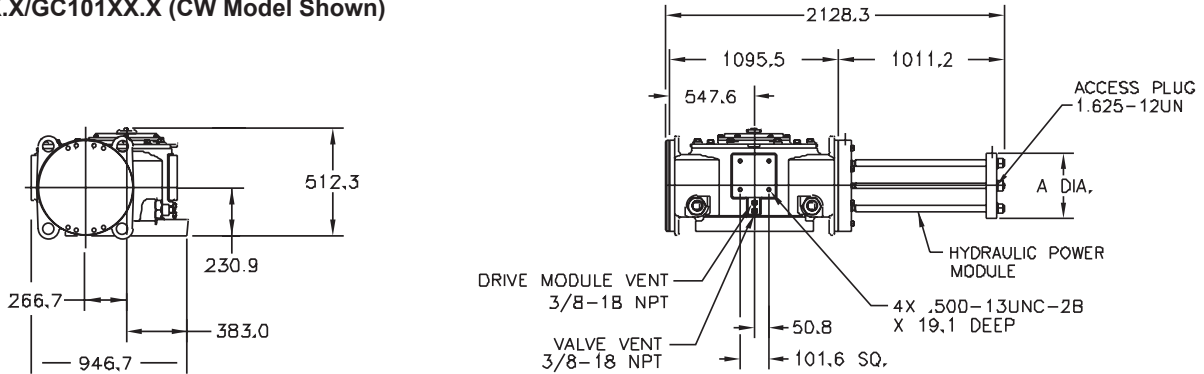
G/GC-Series

Dimensions – (Hydraulic) mm.

G/GC-Series

Double-Acting Actuators

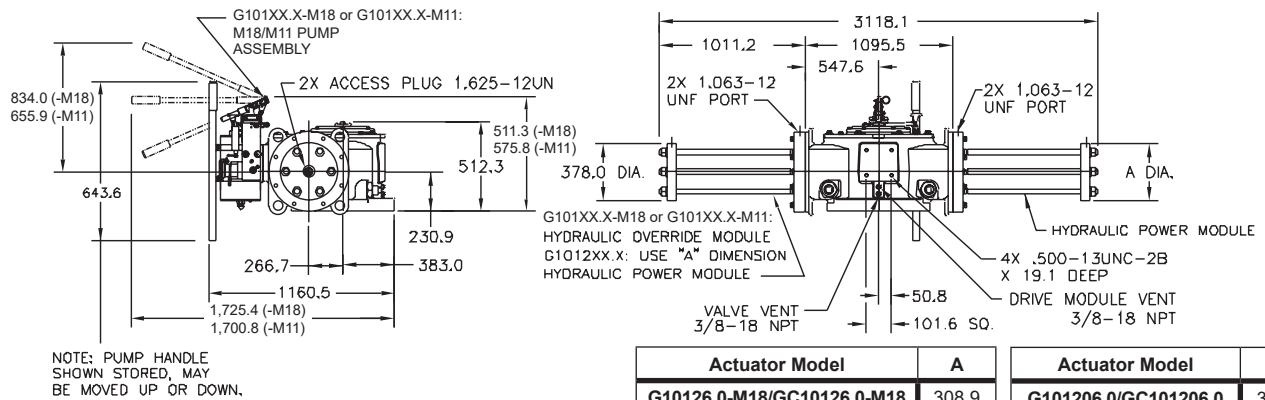
G101XX.X/GC101XX.X (CW Model Shown)



Actuator Model	A
G10106.0/GC10106.0	308.9
G10107.0/GC10107.0	333.5
G10108.0/GC10108.0	352.6
G10109.0/GC10109.0	378.0
G10110.0/GC10110.0	403.4
G10112.0/GC10112.0	454.2
G10114.0/GC10114.0	505.0

G101XX.X-M18/GC101XX.X-M18

G101XX.X-M11/GC101XX.X-M11 or G1012XX.X/GC1012XX.X (No M18/M11) (CW Model Shown)



NOTE: PUMP HANDLE SHOWN STORED, MAY BE MOVED UP OR DOWN.

Actuator Model	A	Actuator Model	A
G10126.0-M18/GC10126.0-M18	308.9	G101206.0/GC101206.0	308.9
G10127.0-M18/GC10127.0-M18	333.5	G101207.0/GC101207.0	333.5
G10128.0-M18/GC10128.0-M18	352.6	G101208.0/GC101208.0	352.6
G10129.0-M18/GC10129.0-M18	378.0	G101209.0/GC101209.0	378.0
G10120.0-M18/GC10120.0-M18	403.4	G101210.0/GC101210.0	403.4
G10122.0-M18/GC10122.0-M18	454.2	G101212.0/GC101212.0	454.2
G10124.0-M18/GC10124.0-M18	505.0	G101214.0/GC101214.0	505.0

Note: Not Certified dimensional drawings. Such drawings available on request. Contact factory with correct model designation and serial number. All dimensions are expressed in millimeters.

* Dimension A remain the same in case -M11 in actuator model.

BETTIS™

EMERSON™

Data sheet

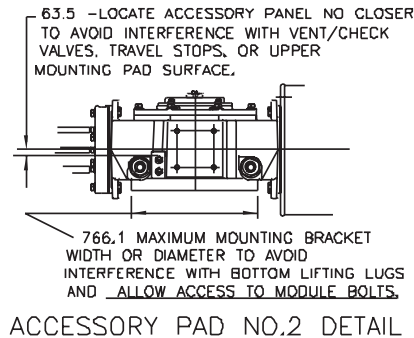
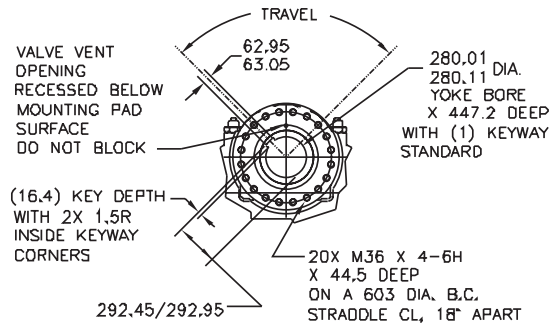
Sheet No.: GHM 3.30

Date: April 2020

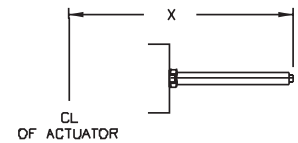
G/GC-Series

Dimensions – (Hydraulic) mm. G/GC-Series

**Double-Acting Actuators
Valve/Accessory Mounting Details**



Adjustable End Stops



	X Extended Travel Stop	X End Stop
Power Module	2262.6	1669.0
Blind End Cap Module	1325.6	757.4
Spring Module	3429.5	2051.6

Note: Not Certified dimensional drawings. Such drawings available on request.
Contact factory with correct model designation and serial number.
All dimensions are expressed in millimeters.

BETTIS™


EMERSON™

Data sheet

Sheet No.: GHM 3.31

Date: April 2020

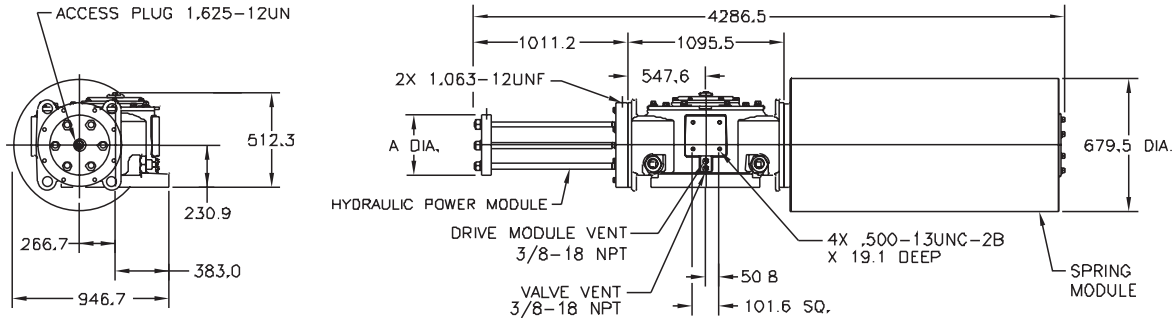
G/GC-Series

Dimensions – (Hydraulic) mm.

G/GC-Series

Spring-Return Actuators

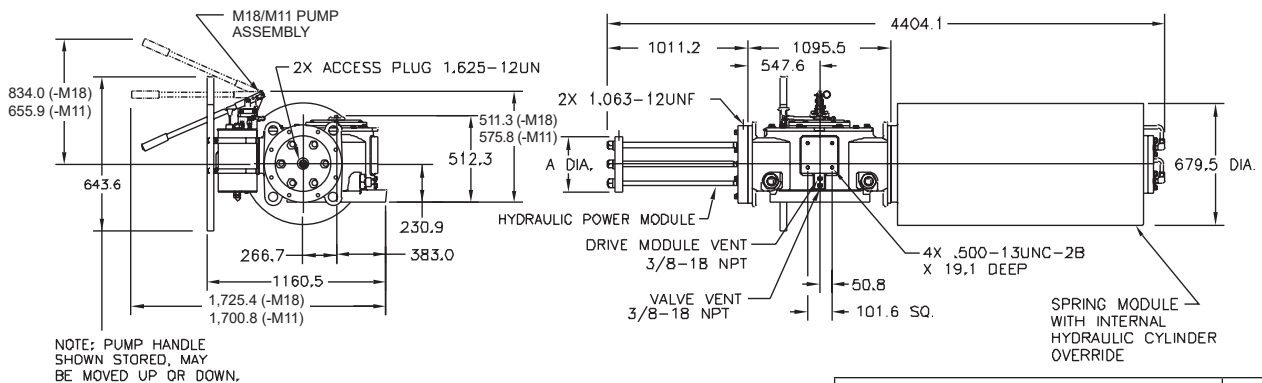
G101XX.X-SR/GC101XX.X-SR (CW Model Shown)



Actuator Model	A
G10106.0-SR/GC10106.0-SR	308.9
G10107.0-SR/GC10107.0-SR	333.5
G10108.0-SR/GC10108.0-SR	352.6
G10109.0-SR/GC10109.0-SR	378.0
G10110.0-SR/GC10110.0-SR	403.4
G10112.0-SR/GC10112.0-SR	454.2
G10114.0-SR/GC10114.0-SR	505.0

G101XX.X-SR-M18/GC101XX.X-SR-M18

G101XX.X-SR-M11/GC101XX.X-SR-M11 (CW Model Shown)



Actuator Model	A
G10106.0-SR-M18/GC10106.0-SR-M18	308.9
G10107.0-SR-M18/GC10107.0-SR-M18	333.5
G10108.0-SR-M18/GC10108.0-SR-M18	352.6
G10109.0-SR-M18/GC10109.0-SR-M18	378.0
G10110.0-SR-M18/GC10110.0-SR-M18	403.4
G10112.0-SR-M18/GC10112.0-SR-M18	454.2
G10114.0-SR-M18/GC10114.0-SR-M18	505.0

Note: Not Certified dimensional drawings. Such drawings available on request.
 Contact factory with correct model designation and serial number.
 All dimensions are expressed in millimeters.

* Dimension A remain the same in case -M11 in actuator model.

BETTIS™

EMERSON™

Copyright © Emerson. The information in this document is subject to change without notice. Updated data sheets can be obtained from our website www.emerson.com/bettis or from your Emerson Automation Solutions - Actuation Technologies Center:
America's: +1 281 477 4100 **Europe:** +36 22 53 0950 **Asia/Pacific:** +65 67 77 8211 **Middle East:** +971 4 811 8100

Data sheet

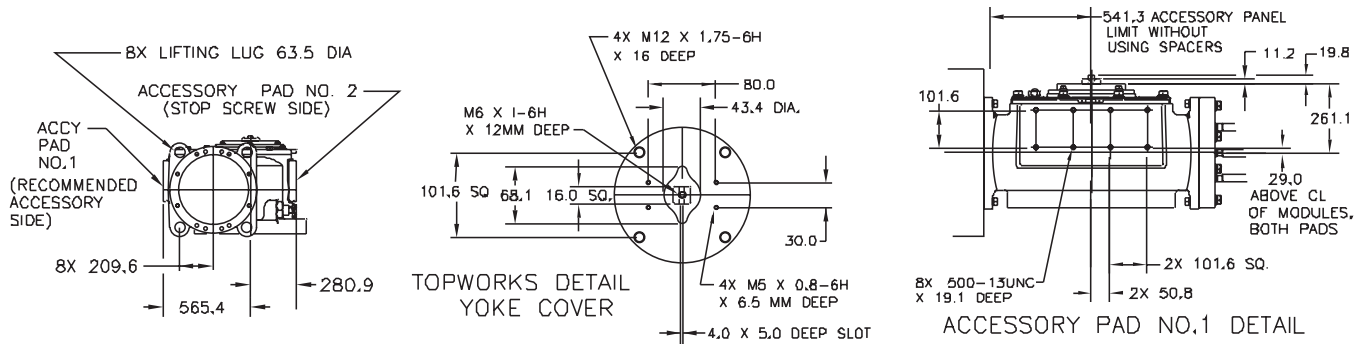
Sheet No.: GHM 3.32

Date: April 2020

G/GC-Series

Dimensions – (Hydraulic) mm. G/GC-Series

Spring-Return Actuators
Lug/Accessory Details



Note: Not Certified dimensional drawings. Such drawings available on request.
Contact factory with correct model designation and serial number.
All dimensions are expressed in millimeters.

BETTIS™

Copyright © Emerson. The information in this document is subject to change without notice. Updated data sheets can be obtained from our website www.emerson.com/bettis or from your Emerson Automation Solutions - Actuation Technologies Center:
America's: +1 281 477 4100 Europe: +36 22 53 0950 Asia/Pacific: +65 67 77 8211 Middle East: +971 4 811 8100



EMERSON™

World Area Configuration Centers (WACC) offer sales support, service, inventory and commissioning to our global customers. Choose the WACC or sales office nearest you:

NORTH & SOUTH AMERICA

19200 Northwest Freeway
Houston TX 77065
USA
T +1 281 477 4100

Av. Hollingsworth
325 Iporanga Sorocaba
SP 18087-105
Brazil
T +55 15 3413 8888

ASIA PACIFIC

No. 9 Gul Road
#01-02 Singapore 629361
T +65 6777 8211

No. 1 Lai Yuan Road
Wuqing Development Area
Tianjin 301700
P. R. China
T +86 22 8212 3300

MIDDLE EAST & AFRICA

P. O. Box 17033
Jebel Ali Free Zone
Dubai
T +971 4 811 8100

P. O. Box 10305
Jubail 31961
Saudi Arabia
T +966 3 340 8650

24 Angus Crescent
Longmeadow Business Estate East
P.O. Box 6908 Greenstone
1616 Modderfontein Extension 5
South Africa
T +27 11 451 3700

EUROPE

Holland Fasor 6
Székesfehérvár 8000
Hungary
T +36 22 53 09 50

Strada Biffi 165
29017 Fiorenzuola d'Arda (PC)
Italy
T +39 0523 944 411

For complete list of sales and manufacturing sites, please visit www.emerson.com/actuationtechnologieslocations or contact us at info.actuationtechnologies@emerson.com

www.emerson.com/bettis

VCPDS-13950-EN ©2020 Emerson. All rights reserved.

The Emerson logo is a trademark and service mark of Emerson Electric Co. Bettis™ is a mark of one of the Emerson family of companies. All other marks are property of their respective owners.

The contents of this publication are presented for information purposes only, and while every effort has been made to ensure their accuracy, they are not to be construed as warranties or guarantees, express or implied, regarding the products or services described herein or their use or applicability. All sales are governed by our terms and conditions, which are available on request. We reserve the right to modify or improve the designs or specifications of our products at any time without notice.

BETTIS™

Copyright © Emerson. The information in this document is subject to change without notice. Updated data sheets can be obtained from our website www.emerson.com/bettis or from your Emerson Automation Solutions - Actuation Technologies Center:
America's: +1 281 477 4100 **Europe:** +36 22 53 0950 **Asia/Pacific:** +65 67 77 8211 **Middle East:** +971 4 811 8100

