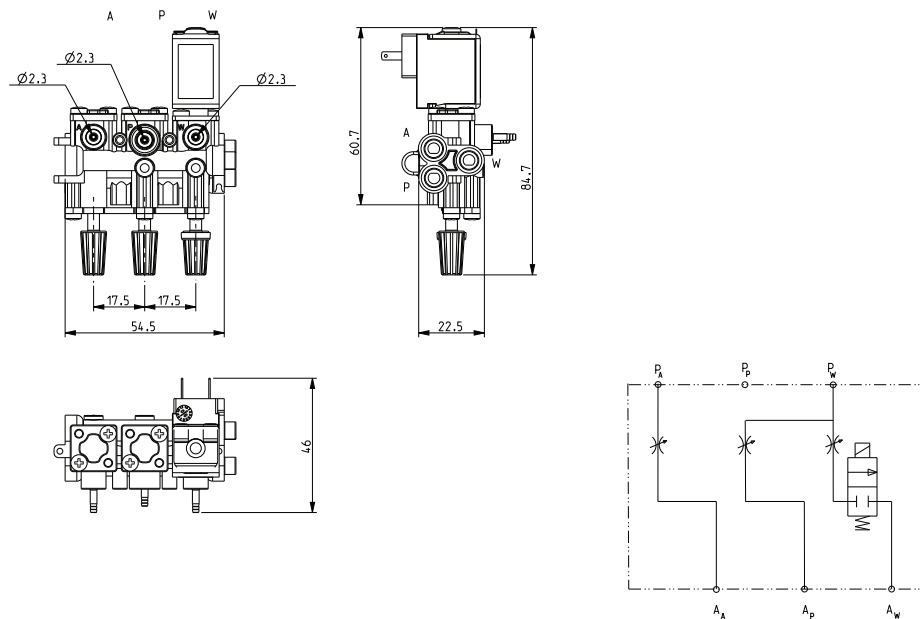


ASCO™ MANIFOLD WITH 1 MICROACTUATOR

2/2NC - DRY - DIRECT ACTING (W)

SERIES
V625-D03



General Features

Manifold with 1 total isolation direct acting microactuator 2/2NC (W), 1 water channel (P) and 1 air channel (A).

Compact and versatile version, designed for dental equipments.

Equipped with 3 flow regulators; the modular system allows the use as single or as a set (max. 4 manifolds); the manifold is delivered with 3 sealing O-rings and joint pin. Heads group kit (feeding and end side) available separately (see details on the back).

Suitable to shut off liquid (W-P) and gaseous (A) fluids (verify the compatibility of fluid with materials in contact).

Technical Features	
Maximum allowable pressure (PS)	8 bar
Opening time	from ~5ms to ~10ms
Closing time	from ~5ms to ~10ms
Fluid temperature	-10°C +90°C
Max viscosity	3°E (22 cStokes or mm²/s)

Materials in Contact with Fluid	
Manifold body and seats	POM
Sealing	EPDM (WRAS/KTW certified compound)
Internal components	PA66
Barbed ports	Brass

Coil	
Continuous duty	ED 100%
Encapsulation material	PA (polyamide) fiberglass reinforced
Insulation class	F (155°C)
Ambient temperature	-10°C +60°C
Electric connections	DIN 46340 with micro plug connector
Protection degree	IP65 (EN 60529) with micro plug connector
Voltages	DC 12-24V (+10% -5%) (Other voltages on request)

Ports ◆	Orifice size (mm)	Differential pressure (bar)				Kv (m³/h)	Series and type			Absorption	Sealings	Notes	Weight (kg) ◆	
		Δp min	Δp max		Manifold		Actuator	Coil						
			AC	DC					AC	DC	DC (W)			
Barbed ports	1.5	0	-	-	-	3	0,03	V625D03	W	ZE30A	4	EPDM	-	0,075

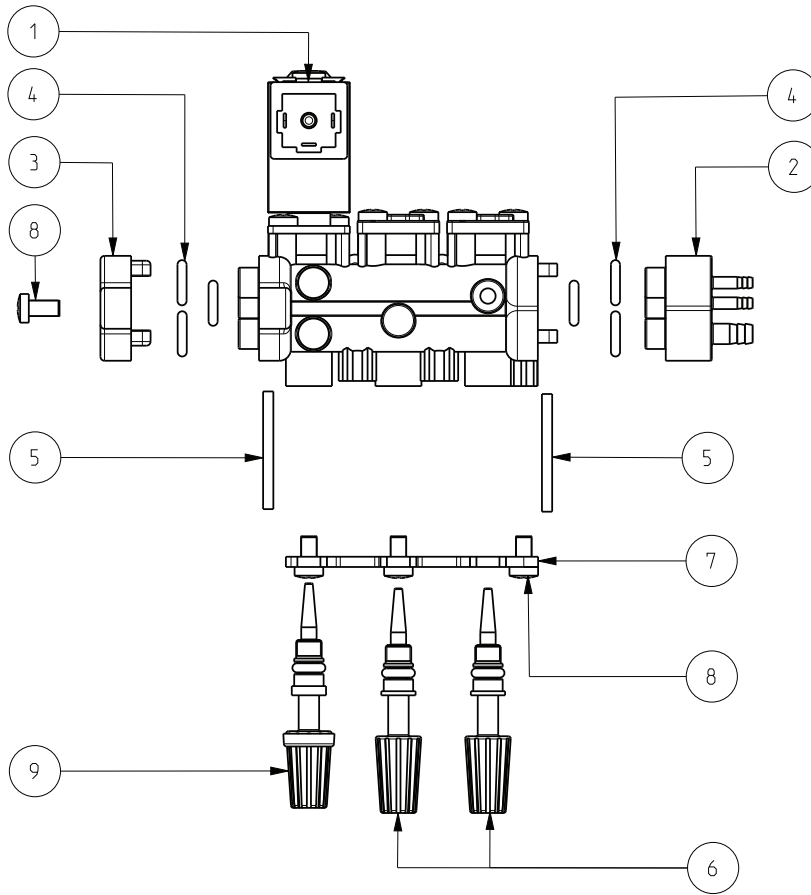
Notes

- ◆ Sealing: EPDM = Ethylene-propylene elastomer (WRAS/KTW certified compound)
- ◆ Features referred to the manifold equipped with feeding and end side heads.

SERIES
V625-D03

ASCO™ MANIFOLD WITH 1 MICROACTUATOR
2/2NC - DRY - DIRECT ACTING (W)

Spare Parts



Kit description	Kit P.N.	Consisting of:
Heads group kit	G3144801	Feeding head pos. 2 End side head pos. 3 N°. 1 screw pos. 8 N°. 3 OR pos. 4 Pin pos. 5
OR kit	GU2446000006	N°. 6 OR pos. 4
Pin kit	G3145001	N°. 10 pins pos. 5
Air regulator kit	430009001R	1 knob regulator assembly pos. 6
Water regulator kit	505265001R	1 knob regulator assembly pos. 9
Plate kit	G3144901	Plate pos. 7 N°. 3 screws pos. 8
Coil	ZE30A	Coil pos.1

Installation

- Manifold can be mounted in any position; vertical with coils upwards preferred.

THE VALIDITY OF REPORTED DATA IS REFERRED TO THE DATE OF ISSUE. POSSIBLE UPDATES ARE AVAILABLE ON REQUEST