

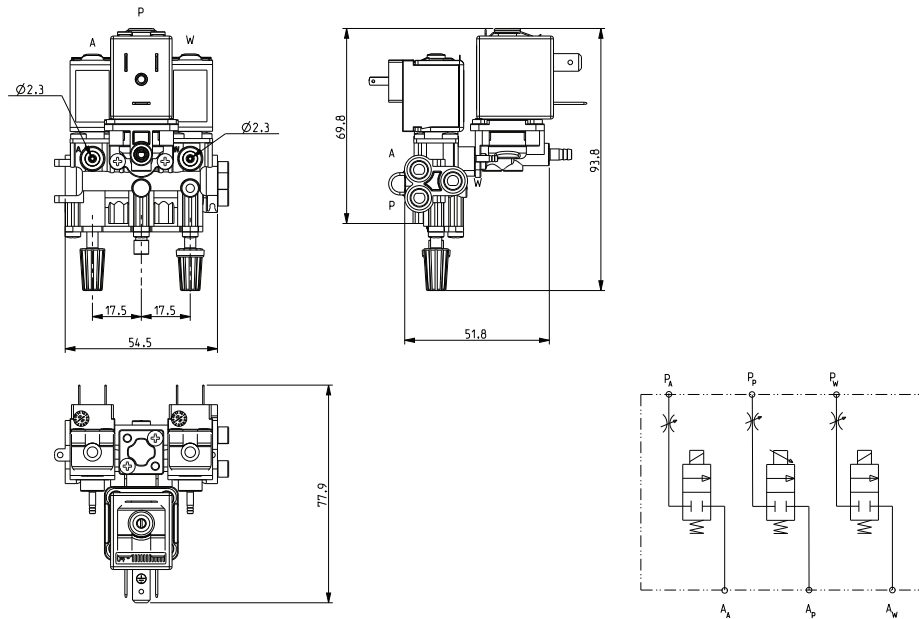
ASCO™ MANIFOLD WITH:

N°1: 2/2NC MICROACTUATOR – DIRECT ACTING (A)

N°1: 2 WAYS NC SOLENOID VALVE – PROPORTIONAL – DIRECT ACTING (P) (P)

N°1: 2/2NC MICROACTUATOR - DRY – DIRECT ACTING (W)

SERIES
V625-D02



General Features

Manifold with 1 microactuator 2/2NC (A), 1 total isolation microactuator 2/2NC (W) and 1 proportional solenoid valve 2 ways NC (P); all direct acting.

Compact and versatile version, designed for dental equipments; equipped with 3 flow regulators.

The modular system allows the use as single or as a set (max. 4 manifolds); the manifold is delivered with 3 sealing O-rings and joint pin.

Heads group kit (feeding and end side) available separately (see details on the back).

Suitable to shut off liquid (W) and gaseous (A-P) fluids (verify the compatibility of fluid with materials in contact).

Technical Features	
Maximum allowable pressure (PS)	8 bar
Opening time	from ~5ms to ~10ms (A – W)
Closing time	from ~5ms to ~10ms (A – W)
Fluid temperature	-10°C +90°C
Max viscosity	3°E (22 cStokes or mm²/s)

Materials in Contact with Fluid	
Manifold body and seats	POM
Sealing	EPDM (WRAS/KTW certified compound)
Internal components	Stainless steel – PA66
Guide assembly	Stainless steel
Barbed ports	Brass

Coil		ZB10A	ZE30A
Continuous duty		ED 100%	
Encapsulation material		PA (polyamide) fiberglass reinforced	
Insulation class		F (155°C)	
Ambient temperature		-10°C +60°C	
Electric connection		DIN 46340 3 poles plug connector	DIN 46340 micro plug connector
Protection degree		IP65 (EN60529) with plug connector	IP65 (EN 60529) with micro plug connector
Voltages	DC	12-24V (+10% -5%) Proportional valve (P): 70 ÷ 220 mA (24V)	

Ports ◆	Orifice size (mm)	Differential pressure (bar)				Kv (m³/h) ▲	Series and type			Absorption ■	Sealings	Notes	Weight (kg) ◆
		Δp min	Δp max		Manifold		Actuator	Coil					
			Gases	Liquids					DC (W)				
Barbed ports	1,6	0	-	6	-	-	V625D02	A	ZE30A	4	EPDM	-	0,21
	1,6		-	6	-	-		P	ZB10A	5,5			
	1,5		-	-	-	3		0,03	W	ZE30A			

Notes

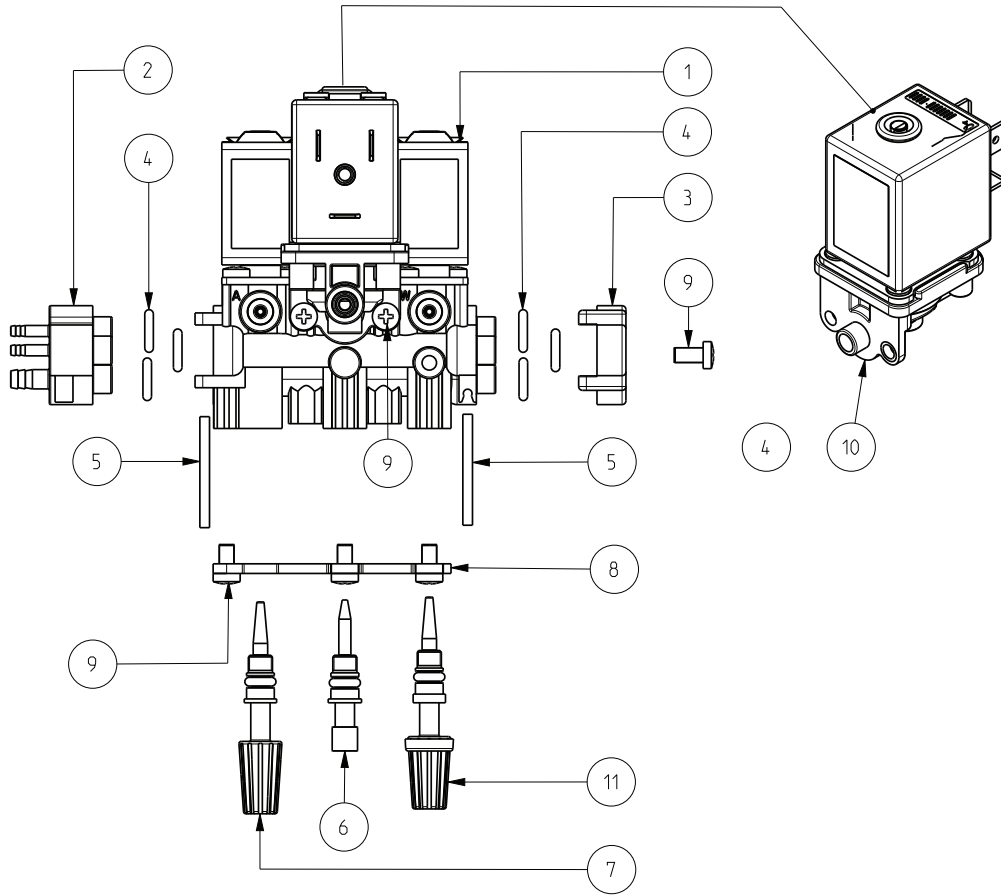
- ◆ Sealing: EPDM = Ethylene-propylene elastomer (WRAS/KTW certified compound)
- ◆ Features referred to the manifold equipped with feeding and end side heads.
- ▲ Value referred to each single actuator
- At the full opening of the microactuator, the air flow is 3.900 nl/h with Δp=6bar
- Power absorption of a single coil

SERIES
V625-D02

ASCO™ MANIFOLD WITH:

N°1: 2/2NC MICROACTUATOR – DIRECT ACTING (A)
N°1: 2 WAYS NC SOLENOID VALVE – PROPORTIONAL – DIRECT ACTING (P) (P)
N°1: 2/2NC MICROACTUATOR - DRY – DIRECT ACTING (W)

Spare Parts



Kit description	Kit P.N.	Consisting of:
Heads group kit	G3144801	Feeding head pos. 2 End side head pos. 3 N°. 1 screw pos. 9 N°. 3 OR pos. 4 Pin pos. 5
OR kit	GU2446000006	N°. 6 OR pos. 4
Pin kit	G3145001	N°. 10 pins pos. 5
Motor channel regulator kit	429664001R	1 screw head regulator assembly pos. 6
Air regulator kit	430009001R	1 knob regulator assembly pos. 7
Water regulator kit	505265001R	1 knob regulator assembly pos. 11
Plate kit	G3144901	Plate pos. 8 N°. 3 screws pos. 9
Proportional valve kit	G3145101	Proportional valve assembly pos. 10 N°. 2 screws pos. 9 OR pos. 4
Coil	ZE30A ZB10A	Coil pos.1

Installation

- Manifold can be mounted in any position; vertical with coils upwards preferred.

THE VALIDITY OF REPORTED DATA IS REFERRED TO THE DATE OF ISSUE. POSSIBLE UPDATES ARE AVAILABLE ON REQUEST