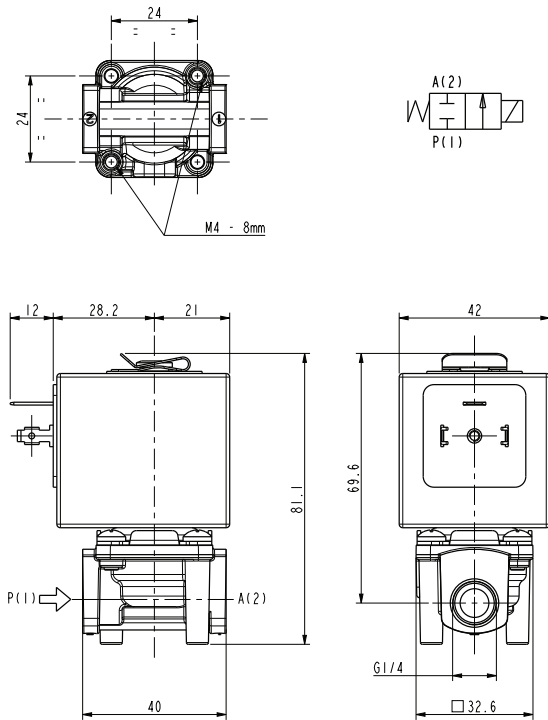


ASCO™ SOLENOID VALVE

2/2 NORMALLY CLOSED – DIRECT ACTING - G1/4

SERIES
L139



General Features

Direct acting solenoid valve.

Suitable to shut off liquid and gaseous fluids (verify the compatibility of fluid with materials in contact).

Technical Features	
Maximum allowable pressure (PS)	20 bar
Opening time	~30ms
Closing time	~30ms
Fluid temperature	-10°C +90°C (NBR) 0°C +130°C (FPM)
Max viscosity	5°E (~37 cStokes or mm ² /s)

Materials in Contact with Fluid	
Body	Brass
Sealing	NBR or FPM
Internal components	Stainless steel
Seat	Brass
Core tube	Stainless steel
Shading coil	Copper

Coil		
Continuous duty	ED 100%	
Encapsulation material	PET (polyethylene terephthalate) fiberglass reinforced	
Insulation class	F (140°C) on request class H (165°C) - UL	
Ambient temperature	-10°C +60°C	
Electric connections	DIN 46340 - 3 poles connectors (EN175301-803)	
Protection degree	IP 65 (EN 60529) with plug connector	
Voltages	DC	12-24V (+10% -5%)
	AC	24V/50Hz - 110V/50Hz (120V/60Hz) - 230V/50Hz (+10% -15%) (Other voltages and frequencies on request)

Port size ISO 228	Orifice size (mm)	Differential pressure (bar)	Differential pressure (bar)				Kv (m ³ /h)	Series and type		Power absorption			Sealings	Notes	Weight (kg)
			Ap max					Valve	Coil	AC (VA)		DC (W)			
			Gases		Liquids					Inrush	Holding				
G 1/4	4,5	0	8	4	8	4	0,50	L139B08	Z130A	44	24.	13	NBR FPM NBR FPM	-	0,500
			3,5	1,5	3,5	1,5		0,70							
	6		L139B08												
			L139V08												

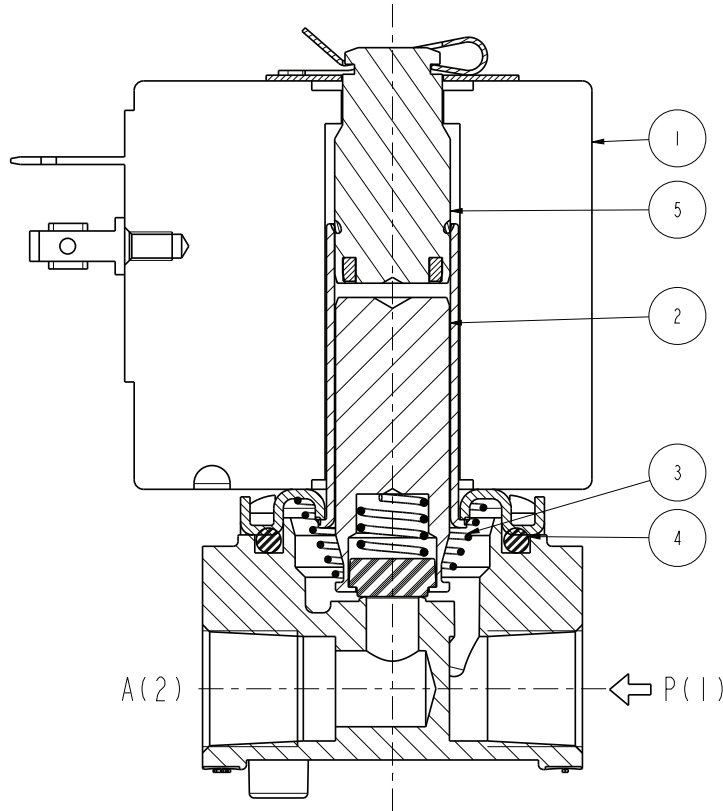
Notes

- Sealings : NBR = Nitrile-butylene elastomer FPM = Fluoro-carbon elastomer
- 1 - Model available on request only: ask for minimum quantity.

**SERIES
L139**

ASCO™ SOLENOID VALVE
2/2 NORMALLY CLOSED – DIRECT ACTING - G1/4

Spare Parts



Kit description	Model	Kit P.N.	Consisting of:
Core kit	L139B08	G2877301	Core (with core return spring) pos. 2
	L139V08	G2877302	OR guide assembly pos. 4
Core return spring kit		G2867301	N.10 core return springs pos. 3
Guide assembly kit		G31523	Guide assembly pos. 5 Coil clip
Coil		Z130A	Coil pos. 1

Installation

- Solenoid valve can be mounted in any position; vertical with coil upwards preferred.

THE VALIDITY OF REPORTED DATA IS REFERRED TO THE DATE OF ISSUE. POSSIBLE UPDATES ARE AVAILABLE ON REQUEST