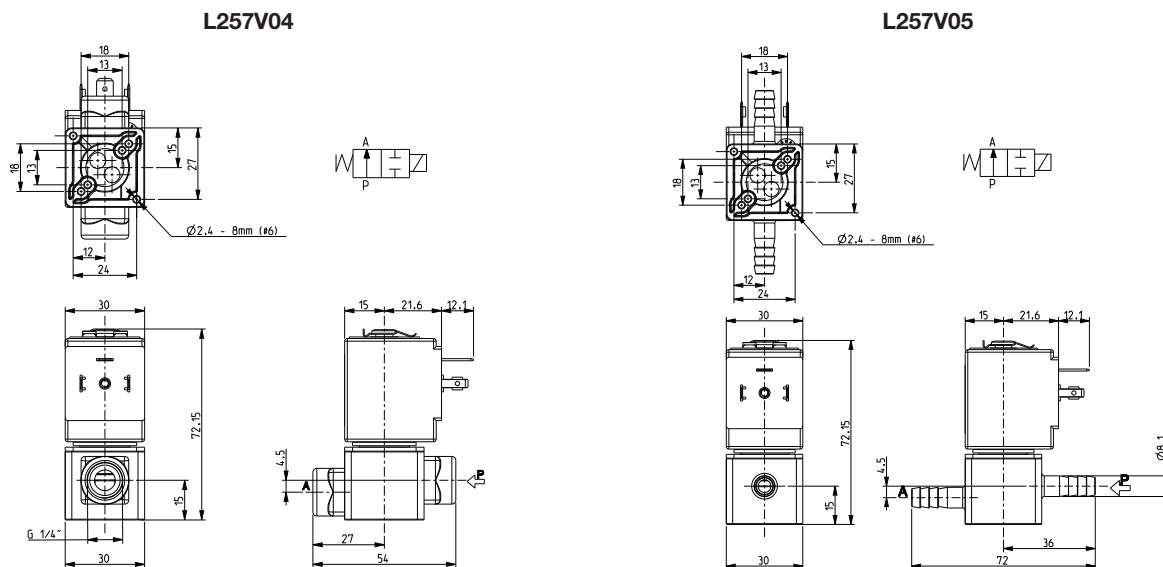


ASCO™ SOLENOID VALVE

2/2 NORMALLY OPEN – DIRECT ACTING - G1/4 - BARBED PORTS

SERIES
L257-V04-V05



General Features

Direct acting solenoid valve, suitable for vacuum at port “P” (PA – PP = max 1 bar).
Suitable to shut off liquid and gaseous fluids; suitable for low pressure steam and applications in sterilising autoclaves (verify the compatibility of fluid with materials in contact).

Technical Features	
Maximum allowable pressure (PS)	10 bar
Opening time	~20ms
Closing time	~20ms
Fluid temperature	0°C +130°C
Max viscosity	5°E (~37 cStokes or mm ² /s)

Materials in Contact with Fluid	
Body	PPS
Sealing	FPM
Internal components	Stainless steel and PPS
Seat	PPS
Core tube	Stainless steel
Shading coil	Copper

Coil	ZA10A	ZA10B
Approval	UL (class F) – for UL cl.H: ZA34 (E153691)	
Continuous duty	ED 100%	
Encapsulation material	PPS (Polyphenilsulfure) fiberglass reinforced	PET (polyethylene-terephthalate) fiberglass reinforced
Insulation class	F (155°C) on request class H (180°C)	F (155°C)
Ambient temperature	-10°C +50°C	
Electric connection	DIN 46340 - 3 poles connectors (EN175301-803)	
Protection degree	IP 67 (EN 60529) with plug connector	IP 65 (EN 60529) with plug connector
Voltages	DC	24V (+10% -5%) (UL)
	AC	24V/50Hz 110V/50Hz (120V/60Hz) 230V/50Hz (+10% -15%) (Other voltages and frequencies on request)

Port size G=ISO228	Orifice size (mm)	Differential pressure (bar)				Kv (m ³ /h)	Series and type		Power absorption			Sealings	Notes	Weight (kgs)
		Δp min	Δp max		Valve		Coil	AC (VA)		DC (W)				
			Gases	Liquids				Inrush	Holding					
G1/4	4,2	0	AC	DC	AC	DC	L257V04	ZA10A	23	14	-	FPM	1 – 2 - 3	0.220
			-	2,5	-	2,5		ZA10B	-	-	10			
BARBED PORTS	4,2	0	AC	DC	AC	DC	L257V05	ZA10A	23	14	-		1 - 2	
			-	2,5	-	2,5		ZA10B	-	-	10			

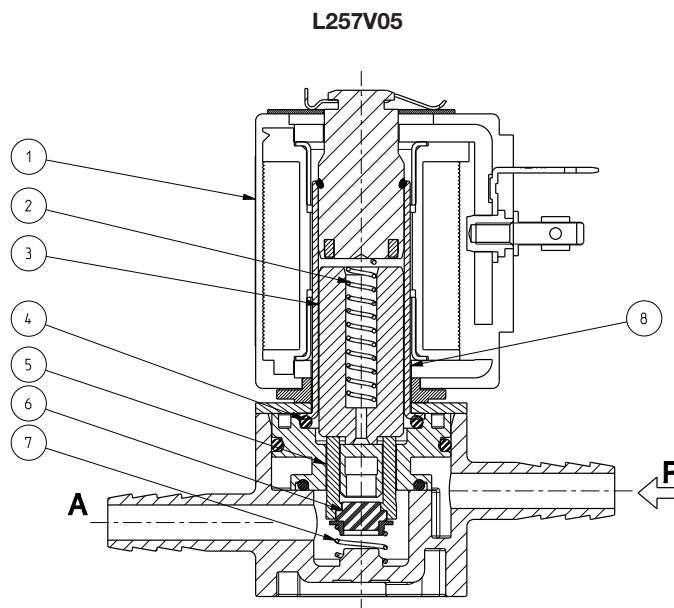
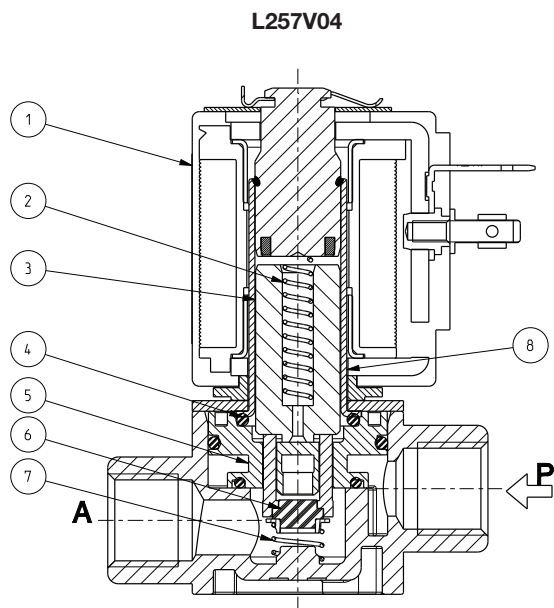
Notes

- Sealings : FPM = Fluoro-carbon elastomer
- 1 - IMQ CSV approval, see ZA10 datasheet for further details
- 2 - The pressure values shown in the table refer to the potential of the valve: they can be lower depending on the connection system used
- 3 - Maximum driving torque of the pipe fittings for thread connections = 2Nm

SERIES
L257-V04-V05

ASCO™ SOLENOID VALVE
2/2 NORMALLY OPEN – DIRECT ACTING - G1/4 - BARBED PORTS

Spare Parts



Kit description	Kit P.N.	Consisting of:
Core kit	G3138301	Core return spring pos. 2 Core pos. 3 O-Ring guide assembly pos.4 Pusher pos. 5 Sealing disc return spring pos. 7 Sealing disc pos. 6
Core return spring kit	G290513-001	N°. 10 Core return spring pos. 2
O-Ring guide assembly kit	GU2428000015	N°. 10 OR guide assembly pos.4
Guide assembly kit	G31488	Guide assembly pos.8 Coil clip
Coil	ZA10A ZA10B	Coil pos.1

Installation

- Solenoid valve can be mounted in any position; vertical with coil upwards preferred.
- When using any sealant for fittings, please check its chemical compatibility with body material (PPS).
- In case of disassembling for usual maintenance, the fixing screws of the guide assembly have to be tightened with 0,6±0,7 Nm torque.

THE VALIDITY OF REPORTED DATA IS REFERRED TO THE DATE OF ISSUE. POSSIBLE UPDATES ARE AVAILABLE ON REQUEST