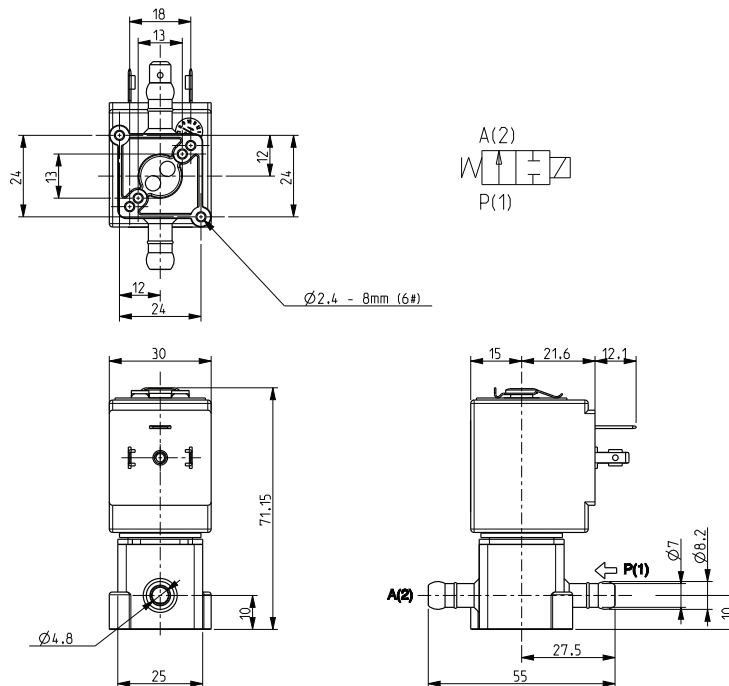


# ASCO™ SOLENOID VALVE

## 2/2 NORMALLY OPEN – DIRECT ACTING - BARBED PORTS

**SERIES**  
**L257-V06**



### General Features

Direct acting solenoid valve, suitable for vacuum at port "P" (PA – PP = max 1 bar).  
Suitable to shut off liquid and gaseous fluids; suitable for low pressure steam and applications in sterilising autoclaves (verify the compatibility of fluid with materials in contact).

Technical Features	
Maximum allowable pressure (PS)	10 bar
Opening time	~20ms
Closing time	~20ms
Fluid temperature	0°C +130°C
Max viscosity	5°E (~37 cStokes or mm <sup>2</sup> /s)

Materials in Contact with Fluid	
Body	PPS
Sealing	FPM
Internal components	Stainless steel and PPS
Seat	PPS
Core tube	Stainless steel
Shading coil	Copper

Coil		
Approval	UL (class F) – for UL cl.H: ZA34 (E153691)	
Continuous duty	ED 100%	
Encapsulation material	PPS (Polyphenilsulfure) fiberglass reinforced	
Insulation class	F (155°C) on request class H (180°C)	
Ambient temperature	-10°C +50 °C	
Electric connection	DIN 46340 - 3 poles connectors (EN175301-803)	
Protection degree	IP 67 (EN 60529) with plug connector	
Voltages	DC	12-24V (+10% -5%)
	AC	24V/50Hz - 110V/50Hz (120V/60Hz) - 230V/50Hz (+10% -15%) (Other voltages and frequencies on request)

Port size ISO 228	Orifice size (mm)	Δp min	Differential pressure (bar)				Kv (m <sup>3</sup> /h)	Series and type		Power absorption			Sealings	Notes	Weight (kgs)
			Δp max					Valve	Coil	AC (VA)		DC (W)			
			Gases		Liquids					Inrush	Holding				
Barbed ports	2.5	0	AC	DC	AC	DC	L257V06	ZA10A	23	14	9	FPM	1 - 2	0,210	
	3		5	5	5	5									0,14
			3	3	3	3									

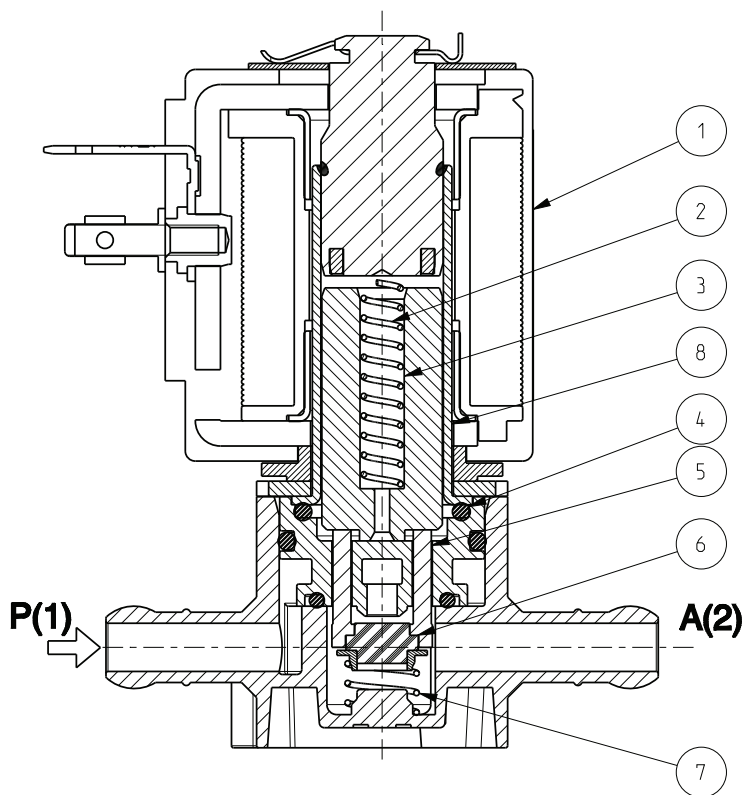
### Notes

- Sealings : FPM = Fluoro-carbon elastomer
- IMQ CSV approval, see ZA10 datasheet for further details
- 1 - The pressure values shown in the table refer to the potential of the valve: they can be lower depending on the connection system used
- 2 - Only for use with steam, consider following values: PSmax 2,8 bar (max fluid temperature 130°C)

**SERIES**  
**L257-V06**

**ASCO™ SOLENOID VALVE**  
2/2 NORMALLY OPEN – DIRECT ACTING - BARBED PORTS

**Spare Parts**



Kit description	Kit P.N.	Consisting of:
Core kit	G3138301	Core return spring pos. 2 Core pos. 3 O-Ring guide assembly pos.4 Pusher pos. 5 Sealing disc return spring pos. 7 Sealing disc pos. 6
Core return spring kit	G290513-001	N°.10 Core return spring pos. 2
O-Ring guide assembly kit	GU2428000015	N°. 10 OR guide assembly pos.4
Guide assembly kit	G31488	Guide assembly pos.8 Coil clip
Coil	ZA10A	Coil pos.1

**Installation**

- Solenoid valve can be mounted in any position; vertical with coil upwards preferred.
- In case of disassembling for usual maintenance, the fixing screws of the guide assembly have to be tightened with 0,6±0,7 Nm torque.

THE VALIDITY OF REPORTED DATA IS REFERRED TO THE DATE OF ISSUE. POSSIBLE UPDATES ARE AVAILABLE ON REQUEST