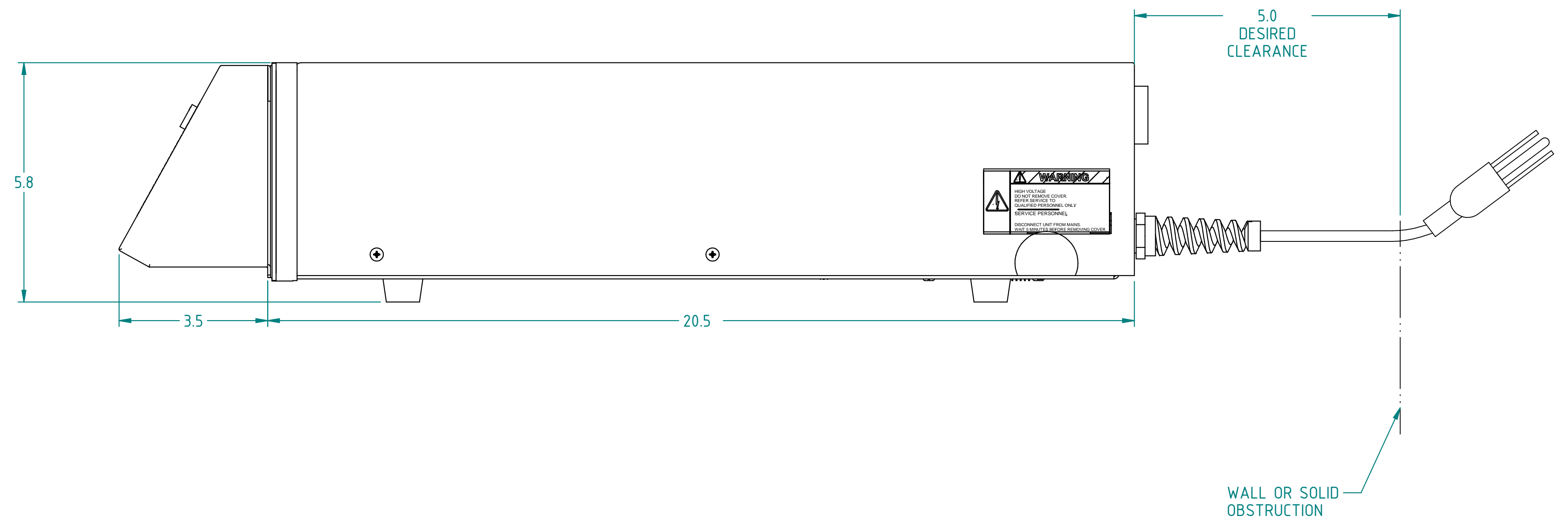
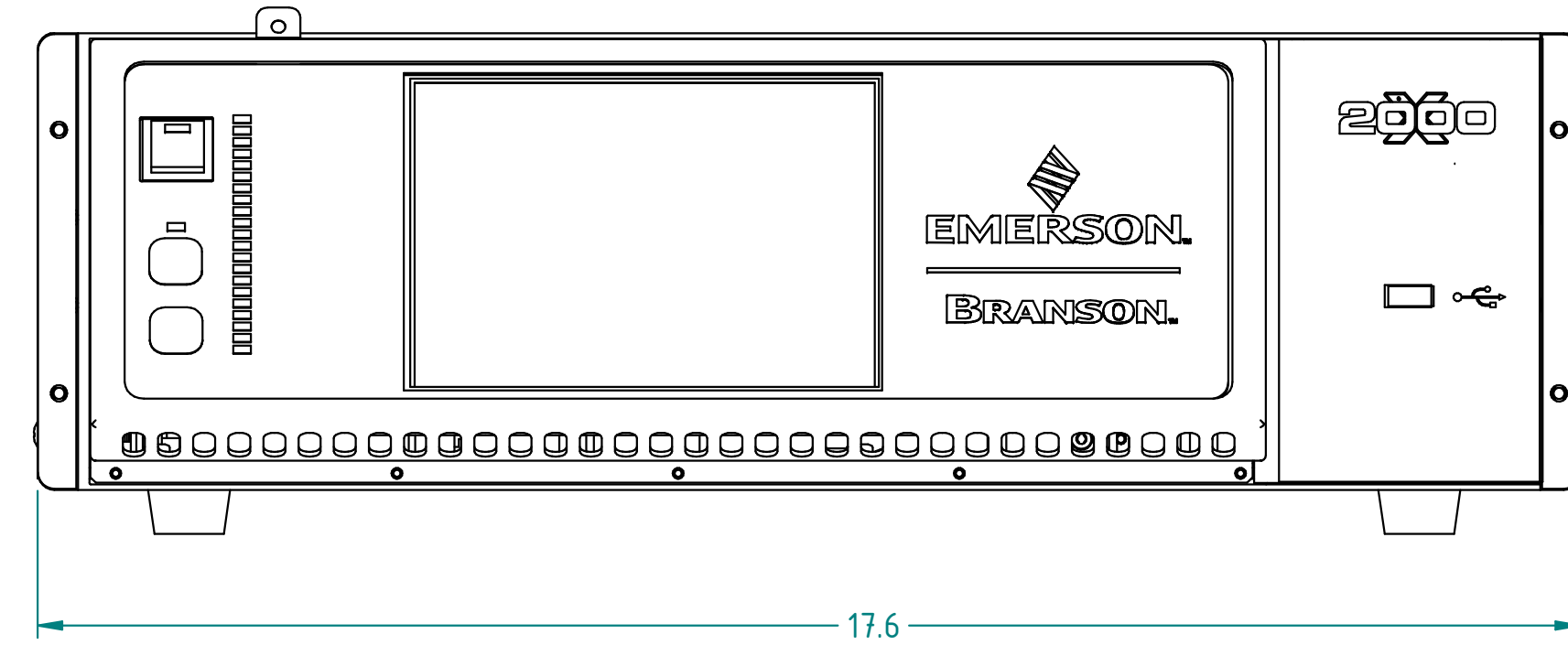


REVISIONS					
ZONE	REV	DESCRIPTION	DATE	ECN/ECO	APPR.
	01	UPDATED DRAWING	9/2/9	18361	JJF LM
ALL	02	REDRAWN TO SOLIDEDGE	1/11/23	104503	JCN HTR



NOTE:
1. ALL DIMENSIONS FOR REFERENCE ONLY.

<small>UNLESS OTHERWISE SPECIFIED DIMENSIONS ARE IN INCHES AND TOLERANCES ARE: 2 PLACE DECIMALS ±0.05 3 PLACE DECIMALS ±0.005 4 PLACE DECIMALS ±0.0005 ANGLES ±1° FRACTIONS 1/32 SURFACE FINISH</small> GD & T Standard ASME Y 14.5 <small>SECONDARY DIMENSIONS ARE PROVIDED FOR REFERENCE ONLY</small>	<small>This PROPRIETARY Document is property of Branson Ultrasonics Corp., Brookfield, CT. It is confidential in nature, non-transferable, and issued with the clear understanding that it is not traced or copied without permission and is returnable upon demand.</small>		MATERIAL: N/A			BRANSON																			
	<small>Article or material must comply with requirements stipulated by RoHS in its current version.</small>		<small>Material Spec. N/A</small>			TITLE OUTLINE 2000X W/VGA																			
	3RD ANGLE PROJECTION 		FINISH: N/A			<table border="1"> <tr> <th>NAME</th> <th>DATE</th> </tr> <tr> <td>JCN</td> <td>1/11/22</td> </tr> <tr> <td>HTR</td> <td>1/11/22</td> </tr> <tr> <td>HTR</td> <td>1/11/22</td> </tr> </table>		NAME	DATE	JCN	1/11/22	HTR	1/11/22	HTR	1/11/22	<table border="1"> <tr> <td>AGENCY PART</td> <td>NO</td> </tr> <tr> <td>BUC CLASSIFICATION</td> <td>3 Important</td> </tr> <tr> <td>IP CLASSIFICATION</td> <td>NO</td> </tr> <tr> <td>WEIGHT</td> <td>0.000 lbm</td> </tr> </table>		AGENCY PART	NO	BUC CLASSIFICATION	3 Important	IP CLASSIFICATION	NO	WEIGHT	0.000 lbm
	NAME	DATE																							
JCN	1/11/22																								
HTR	1/11/22																								
HTR	1/11/22																								
AGENCY PART	NO																								
BUC CLASSIFICATION	3 Important																								
IP CLASSIFICATION	NO																								
WEIGHT	0.000 lbm																								
<small>Finish Spec. N/A</small>		<table border="1"> <tr> <td>SCALE: 1:2</td> <td>SHEET 1 OF 1</td> </tr> </table>		SCALE: 1:2	SHEET 1 OF 1	<table border="1"> <tr> <td>SIZE DWG NO</td> <td>REV</td> </tr> <tr> <td>D 931-132-1518</td> <td>02</td> </tr> </table>		SIZE DWG NO	REV	D 931-132-1518	02														
SCALE: 1:2	SHEET 1 OF 1																								
SIZE DWG NO	REV																								
D 931-132-1518	02																								

[SOLID EDGE]