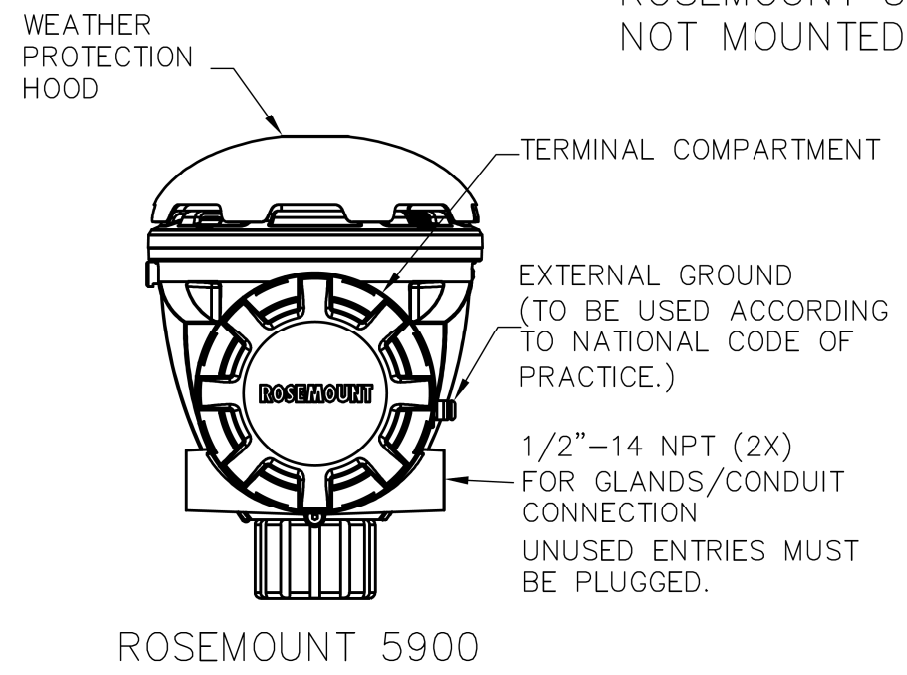
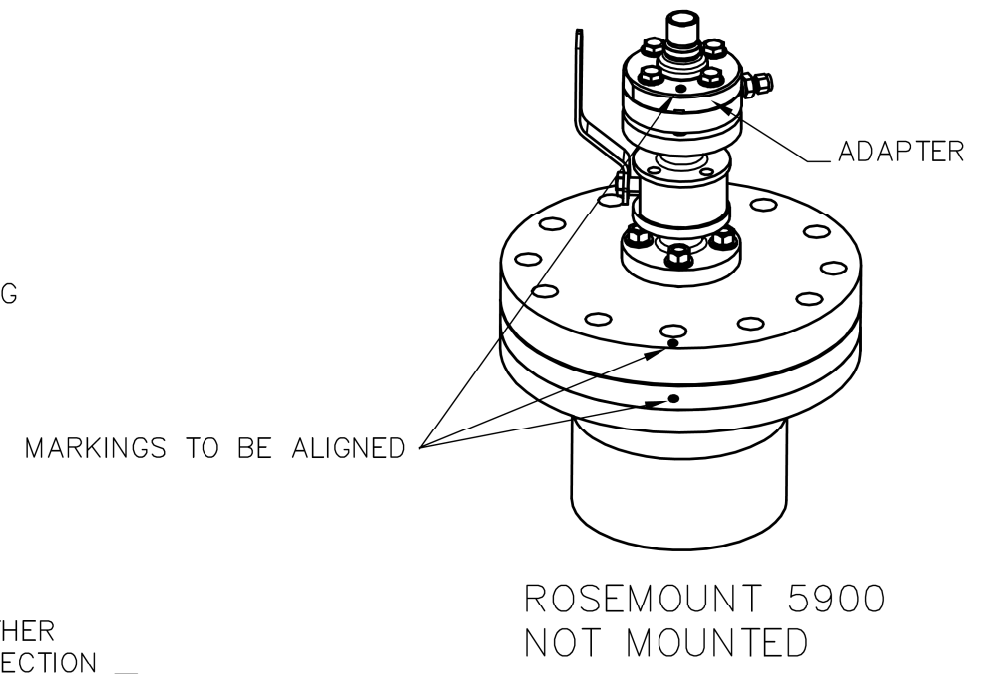
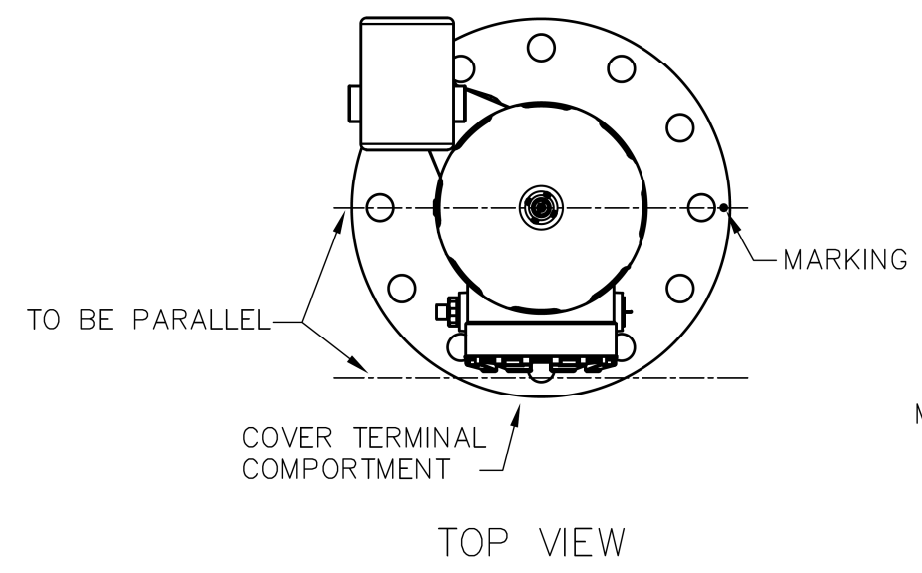
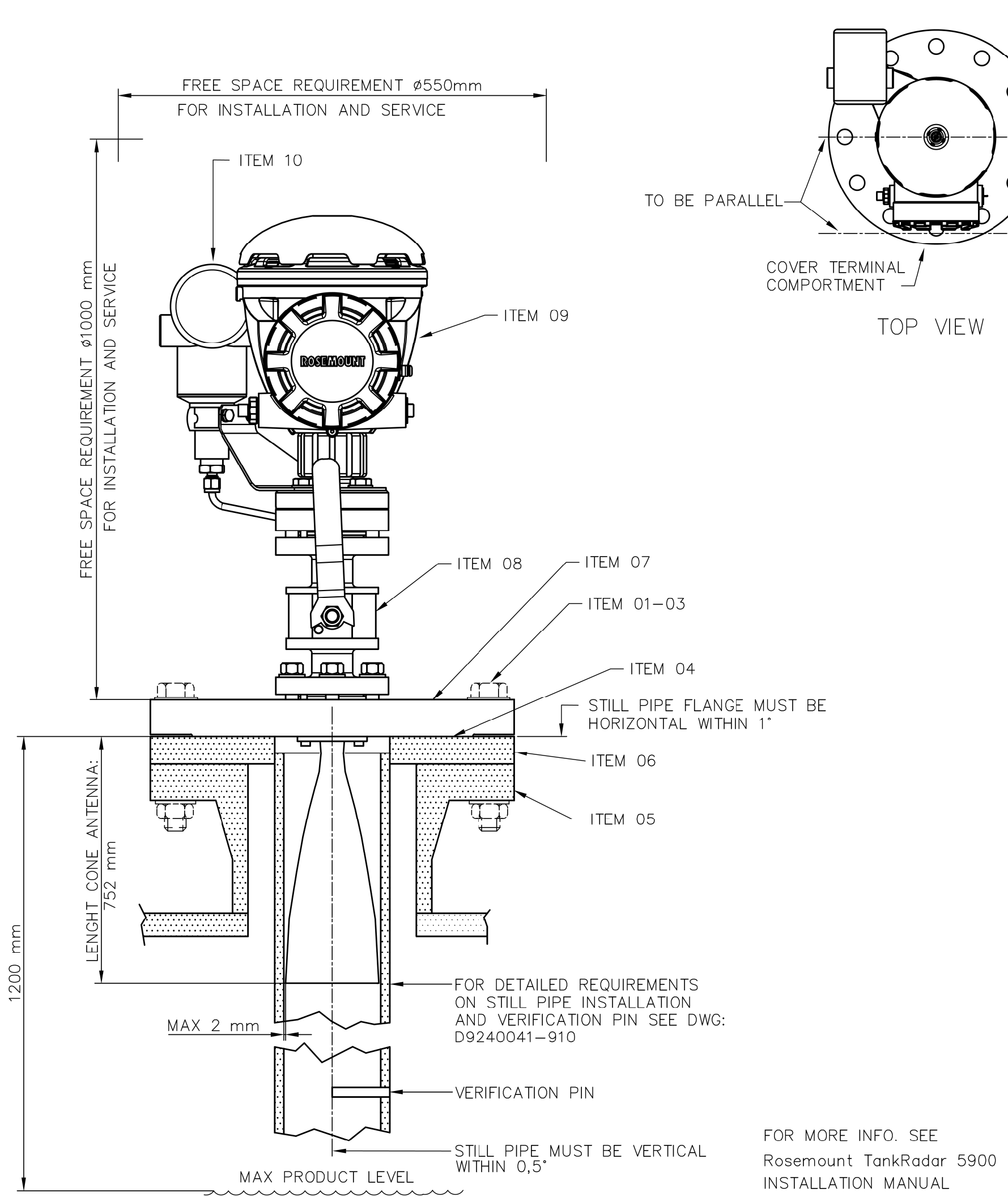


2015-10-20 Electronic Master - Printed Copies Uncontrolled - Emerson Proprietary



1. CHECK SIL SAFETY MANUAL FOR SIL SPECIFIC INSTALLATION REQUIREMENTS.

10	PRESSURE TRANSMITTER (OPTIONAL)	RTR
09	RADAR LEVEL GAUGE	RTR
08	BALL VALVE	RTR
07	CLOSING ACC. TO ANSI B16.5	RTR
06	STILL-PIPE WITH FLANGE	CUSTOMER
05	VESSEL FLANGE	CUSTOMER
04	GASKET, SOFT OR METALLIC TYPE	CUSTOMER
01-03	SCREW/NUT/WASHER ACC TO ASME B16.5 OR EN1092-1	CUSTOMER
POS	ITEM DESCRIPTION	SUPPLIER

ISSUED BY EMe-BL	WEEK 1035	PRODUCT CODE 5900	FILE ACAD	INSTALLATION DRAWING TITLE MECHANICAL INSTALLATION DWG 5900 LPG/LNG ANTENNA ATTACHED TO PIPE FLANGE			
APPROVED BY EMe-MH	WEEK 1043	ORIGINAL DWG NO. -	SCALE -	DOC TYPE 2	DWG NO. D9240040-983	ISSUE 03	SHEET 01/01

ROSEMOUNT
Tank Gauging

1 ST ANGLE

THE COPYRIGHT/OWNERSHIP OF THIS DOCUMENT IS AND WILL REMAIN OURS. THE DOCUMENT MUST NOT BE USED WITHOUT OUR AUTHORIZATION OR BROUGHT TO THE KNOWLEDGE OF A THIRD PARTY. CONTRAVENTION WILL BE PROSECUTED. ROSEMOUNT TANK RADAR AB, SWEDEN.

FOR MORE INFO. SEE
Rosemount TankRadar 5900
INSTALLATION MANUAL