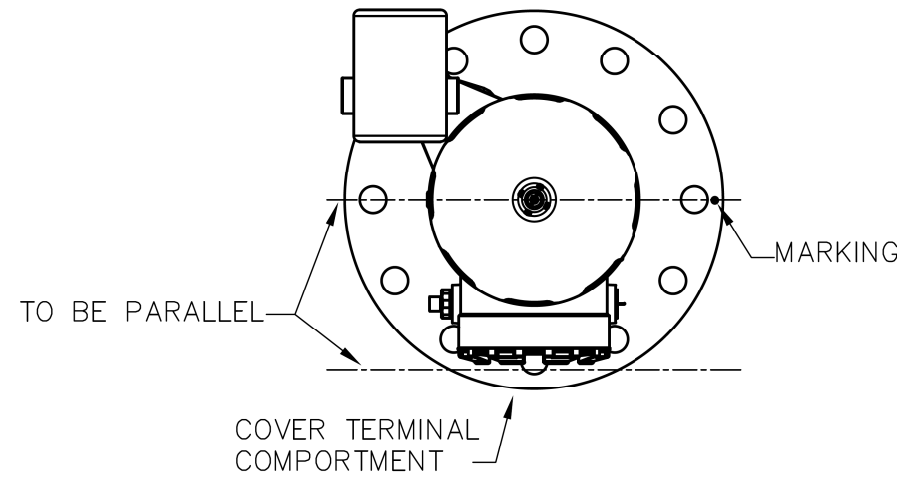
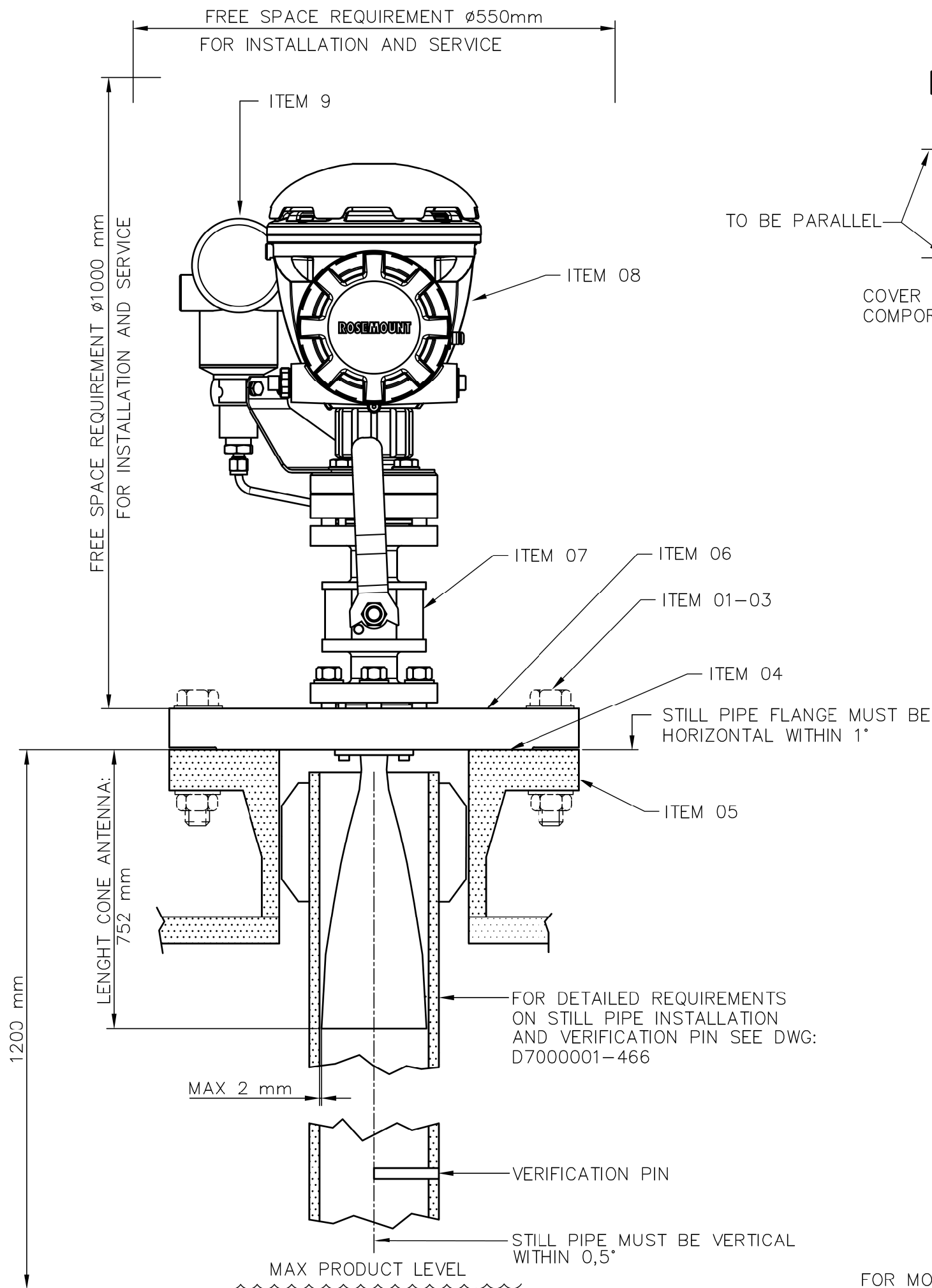
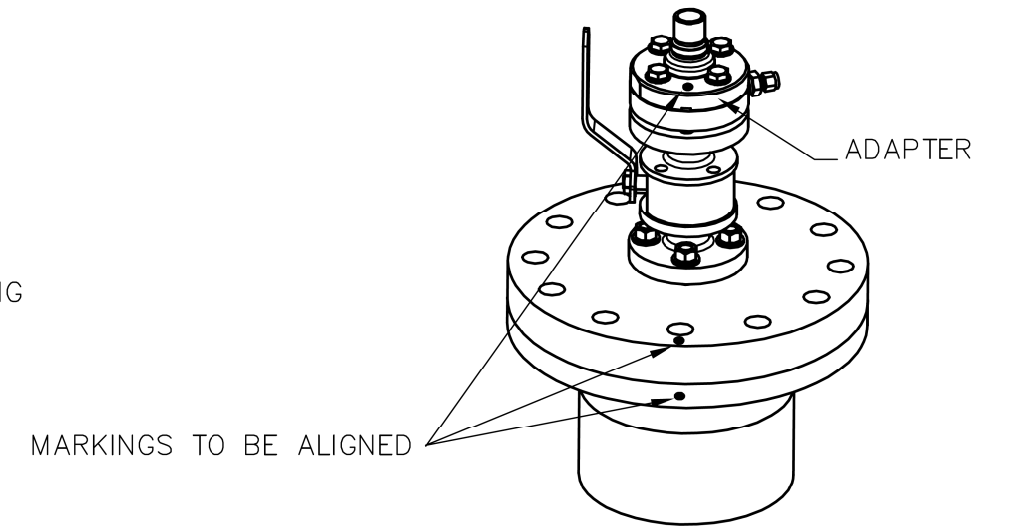


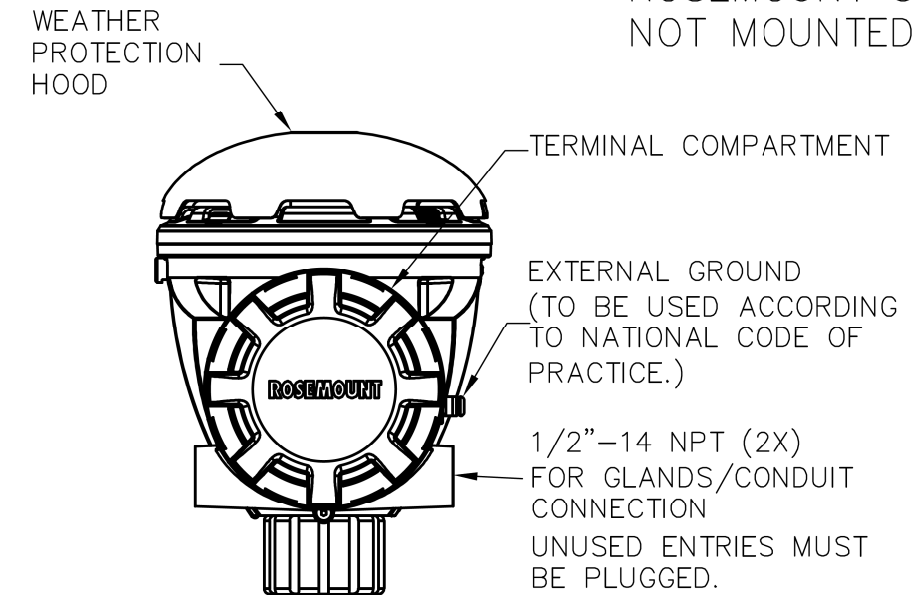
2015-10-20 Electronic Master - Printed Copies Uncontrolled - Emerson Proprietary



TOP VIEW



ROSEMOUNT 5900 NOT MOUNTED



ROSEMOUNT 5900

1. CHECK SIL SAFETY MANUAL FOR SIL SPECIFIC INSTALLATION REQUIREMENTS.

09	PRESSURE TRANSMITTER (OPTIONAL)	RTR
08	RADAR LEVEL GAUGE	RTR
07	BALL VALVE	RTR
06	CLOSING ACC. TO ANSI B16.5	RTR
05	VESSEL FLANGE	CUSTOMER
04	GASKET, SOFT OR METALLIC TYPE	CUSTOMER
01-03	SCREW/NUT/WASHER ACC TO ASME B16.5 OR EN1092-1	CUSTOMER
POS	ITEM DESCRIPTION	SUPPLIER

ISSUED BY EMe-BL	WEEK 1035	PRODUCT CODE 5900	FILE ACAD	INSTALLATION DRAWING TITLE MECHANICAL INSTALLATION DWG 5900 LPG/LNG ANTENNA ATTACHED TO VESSEL BOTTOM
APPROVED BY EMe-MH	WEEK 1043	ORIGINAL DWG NO. -	SCALE -	

ROSEMOUNT
Tank Gauging

1 ST ANGLE

DOC TYPE 2	DWG NO. D7000001-950	ISSUE 02	SHEET 01/01
---------------	-------------------------	-------------	----------------

THE COPYRIGHT/OWNERSHIP OF THIS DOCUMENT IS AND WILL REMAIN OURS. THE DOCUMENT MUST NOT BE USED WITHOUT OUR AUTHORIZATION OR BROUGHT TO THE KNOWLEDGE OF A THIRD PARTY. CONTRAVENTION WILL BE PROSECUTED. ROSEMOUNT TANK RADAR AB, SWEDEN.

FOR MORE INFO. SEE
Rosemount TankRadar 5900
INSTALLATION MANUAL