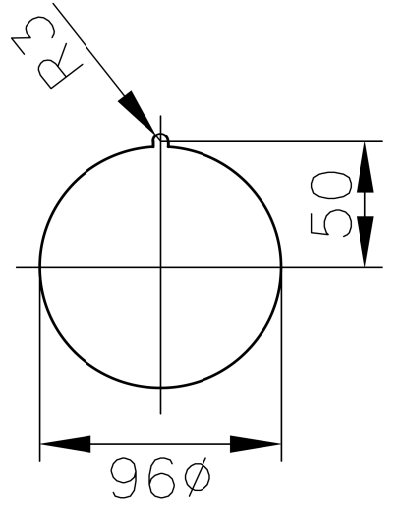


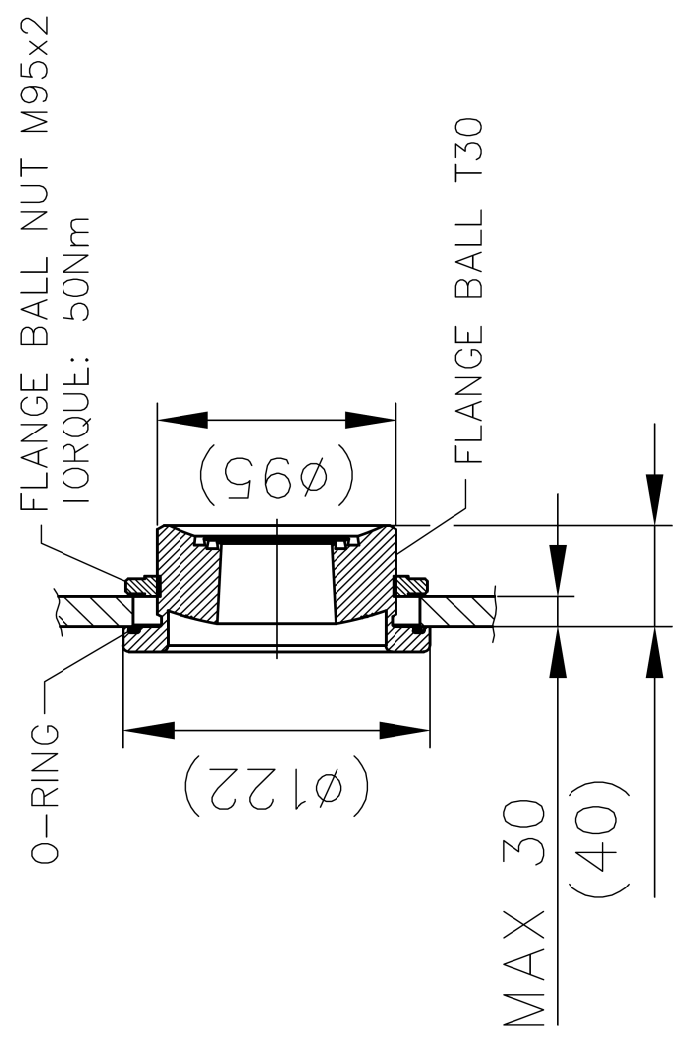
2. CHECK SIL SAFETY MANUAL FOR SIL SPECIFIC INSTALLATION REQUIREMENTS.
1. INSTALLATION IN HIGHER SOCKET IS POSSIBLE, MAY REDUCE THE PERFORMANCE.

07	GASKET SOFT TYPE	CUSTOMER					
06	TANK FLANGE	CUSTOMER					
05	FLANGE BALL	RTR					
04	INCLINATION DEVICE	RTR					
01-03	SCREW/NUT/WASHER ACC TO ASME B16.5 OR EN1092-1	CUSTOMER					
POS	ITEM DESCRIPTION	SUPPLIER					
ISSUED BY EMe-BL	WEEK 1032	PRODUCT CODE 5900	FILE ACAD	INSTALLATION DRAWING TITLE <b>MECHANICAL INSTALLATION DWG PARABOLIC CLAMP CONNECTION</b>			
APPROVED BY EMe-MH	WEEK 1043	ORIGINAL DWG NO. -	SCALE -	DOC TYPE 2	DWG NO. <b>D9240040-980</b>	ISSUE 03	SHEET 01/02
<b>ROSEMOUNT</b> Tank Gauging							
<small>THE COPYRIGHT/OWNERSHIP OF THIS DOCUMENT IS AND WILL REMAIN OURS. THE DOCUMENT MUST NOT BE USED WITHOUT OUR AUTHORIZATION OR BROUGHT TO THE KNOWLEDGE OF A THIRD PARTY. CONTRAVENTION WILL BE PROSECUTED. ROSEMOUNT TANK RADAR AB, SWEDEN.</small>							

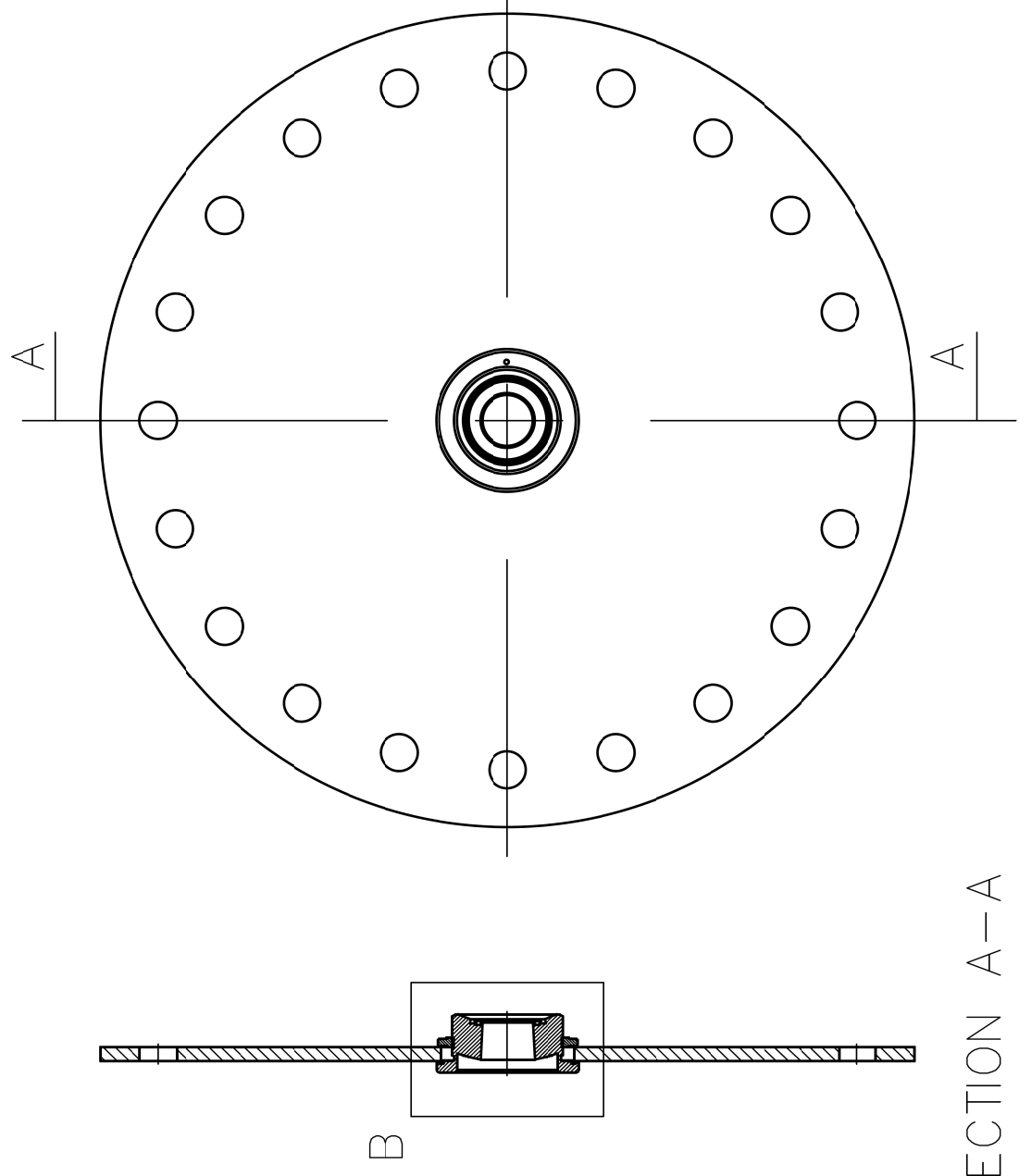
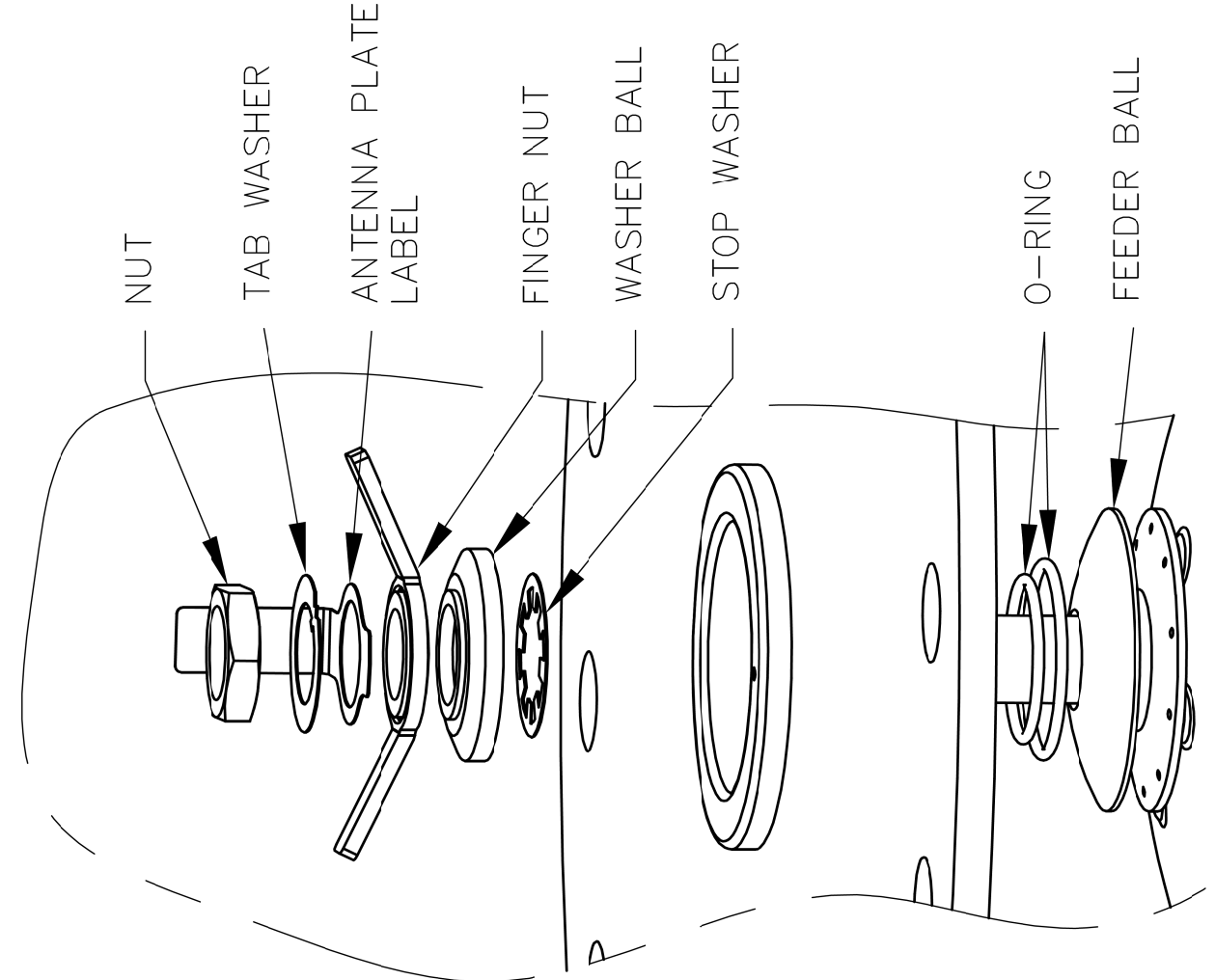
FOR MORE INFO. SEE  
Rosemount TankRadar 5900  
REFERENCE MANUAL



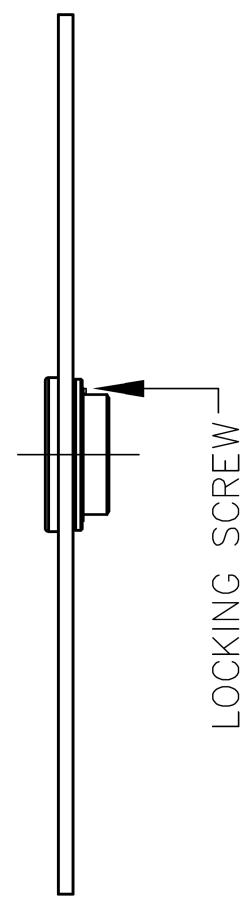
MOUNTING HOLE WITHOUT FLANGE BALL



DETAIL B



SECTION A-A



LOCKING SCREW

FOR MORE INFO. SEE  
Rosemount TankRadar 5900  
REFERENCE MANUAL

ISSUED BY EMe-BL	WEEK 1032	PRODUCT CODE 5900	FILE ACAD	INSTALLATION DRAWING TITLE <b>MECHANICAL INSTALLATION DWG PARABOLIC CLAMP CONNECTION</b>		
APPROVED BY EMe-MH	WEEK 1043	ORIGINAL DWG NO. -	SCALE -	DOC TYPE 2	DWG NO. D9240040-980	ISSUE SHEET 03 02/02
<b>ROSEMOUNT</b> Tank Gauging				1 ST ANGLE 		
				THE COPYRIGHT/OWNERSHIP OF THIS DOCUMENT IS AND WILL REMAIN OURS. THE DOCUMENT MUST NOT BE USED WITHOUT OUR AUTHORIZATION OR BROUGHT TO THE KNOWLEDGE OF A THIRD PARTY. CONTRAVENTION WILL BE PROSECUTED. ROSEMOUNT TANK RADAR AB, SWEDEN.		