

MODEL 1600 ETHERNET OUTPUTS IN HAZARDOUS LOCATION

Hazardous Area

1600****2A**** :

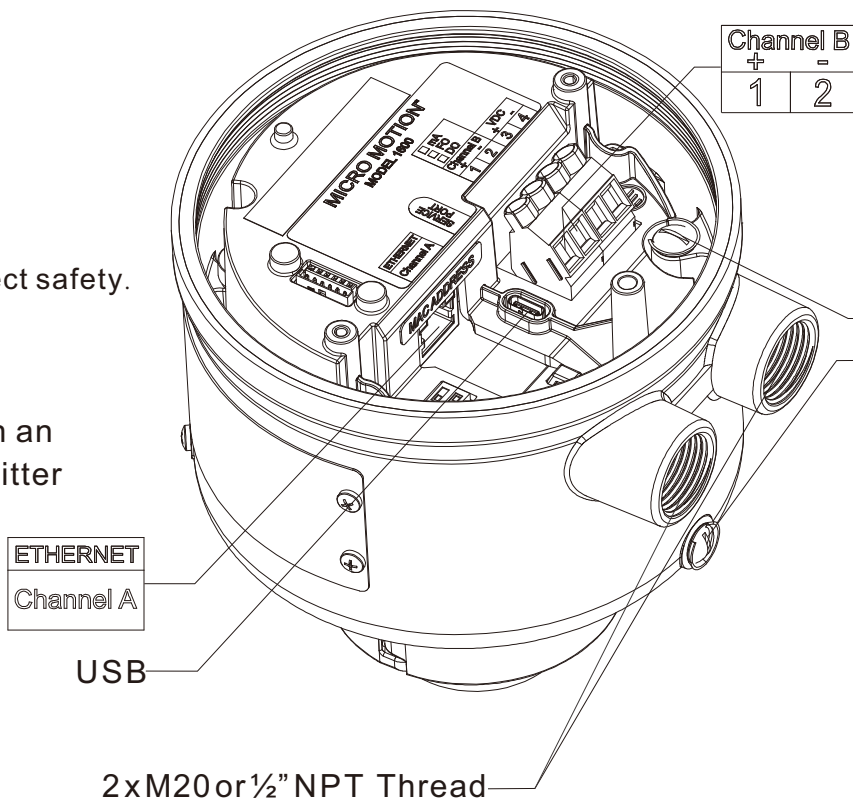
Class I Div. 2 Groups A,B,C,D T5

Class II Div. 2 Groups F,G T91°C

***Stars indicated above do not effect safety.

Note:

Hazardous area classification on an integrally mounted 1600 Transmitter can be limited by hazardous classification of the sensor. Refer to sensor tag.



For Screw terminal Connections:
Conductors Solid or Stranded
Wire Strip Length: 0.315" (8mm)Screw
Torque: 0.37-0.44 lb-ft (0.5-0.6 Nm)
VDC Power Wires: 24-12 AWG (0.205-3.3 mm²)
ChB I/O Two Wires: 24-14 AWG (0.205-2.0 mm²)

Internal Ground

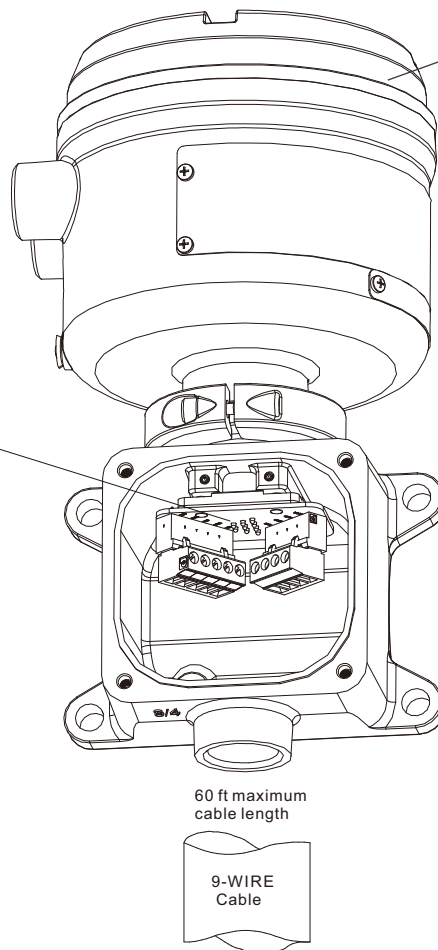
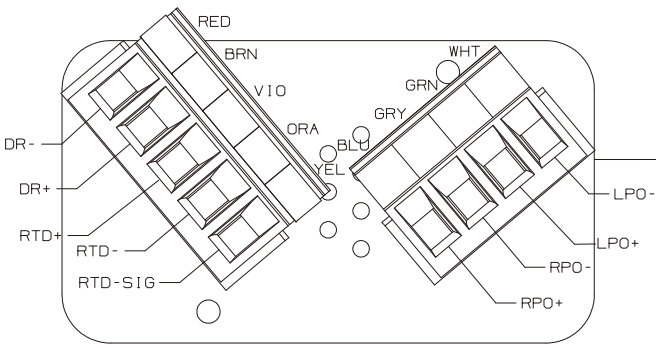
External Ground

This unit is provided with an internal and an external terminal for supplementary bonding connection. These terminals are for use where local codes or authorities permit or require such connection

- a. Screw Type: M4 x 6.0mm 316 SST
- b. Washer Type: Cup Washer 316SST 11.45 (OD) 4.26mm (ID)
- c. At least 2.0mm² (14AWG) wire shall be used for Internal and External bonding.

1600 TERMINAL COMPARTMENT

For Screw terminal Connections:
Conductors Solid or Stranded
Wire Strip Length: 0.275" (7mm)Screw
Torque: 0.37-0.44 lb-ft (0.5-0.6 Nm)
Signal 5-Wires: 24-12 AWG (0.205-3.3 mm²)
Signal 4-Wires: 24-12 AWG (0.205-3.3 mm²)



FOR 1600****2A**** :

- WARNING - DO NOT OPEN OR DISCONNECT WHEN AN EXPLOSIVE ATMOSPHERE IS PRESENT
- WARNING - POTENTIAL ELECTROSTATIC CHARGING HAZARD - SEE INSTRUCTIONS
- *AVERTISSEMENT - NE PAS OUVRIR NI DÉBRANCHER EN PRÉSENCE D'UNE ATMOSPHERE EXPLOSIVE
- *AVERTISSEMENT - RISQUE DE CHARGE ÉLECTROSTATIQUE POTENTIEL - VOIR LES INSTRUCTIONS

Per 61010 clause 5.4.2d.

Pollution degree 2;

Installation category II;

Altitude 16404 feet (5000m)

Humidity 5 to 95% relative humidity non-condensing between -40°F (-40°C) to +149°F (+65°C);

Temperature Range: -40°F(-40°C) to +149°F (+65°C);

Suitable for use outdoors within the limits and ratings described herein

Supply voltage fluctuations are not to exceed 10% of the nominal supply voltage

Electrical supply: 18-30Vdc or 44-57Vdc PD classification 3

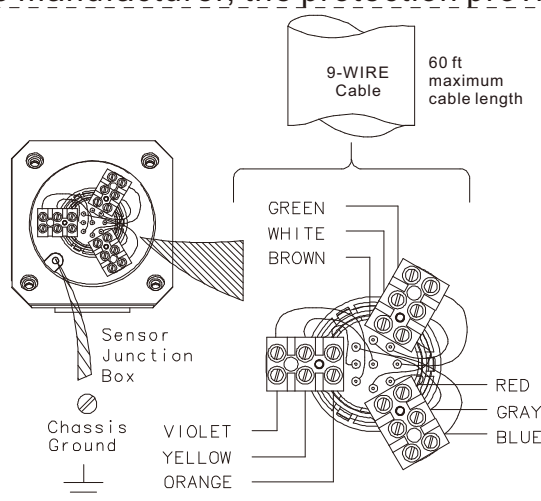
Use of certified Class 2, DC power supply for power input

Use of this equipment is a manner not specified by the manufacturer, the protection provided may be impaired.

1600 9 WIRE REMOTE

CAUTION:

Transmitter and Sensor must be properly grounded.



SENSOR MOUNTED JUNCTION BOX

Hazardous Area

Class I Div. 2 Groups A, B, C, D

Class II Div. 2 Groups F, G

Micro Motion mass flowmeter system connection for safe operation.

Electronics: 1600 Ethernet