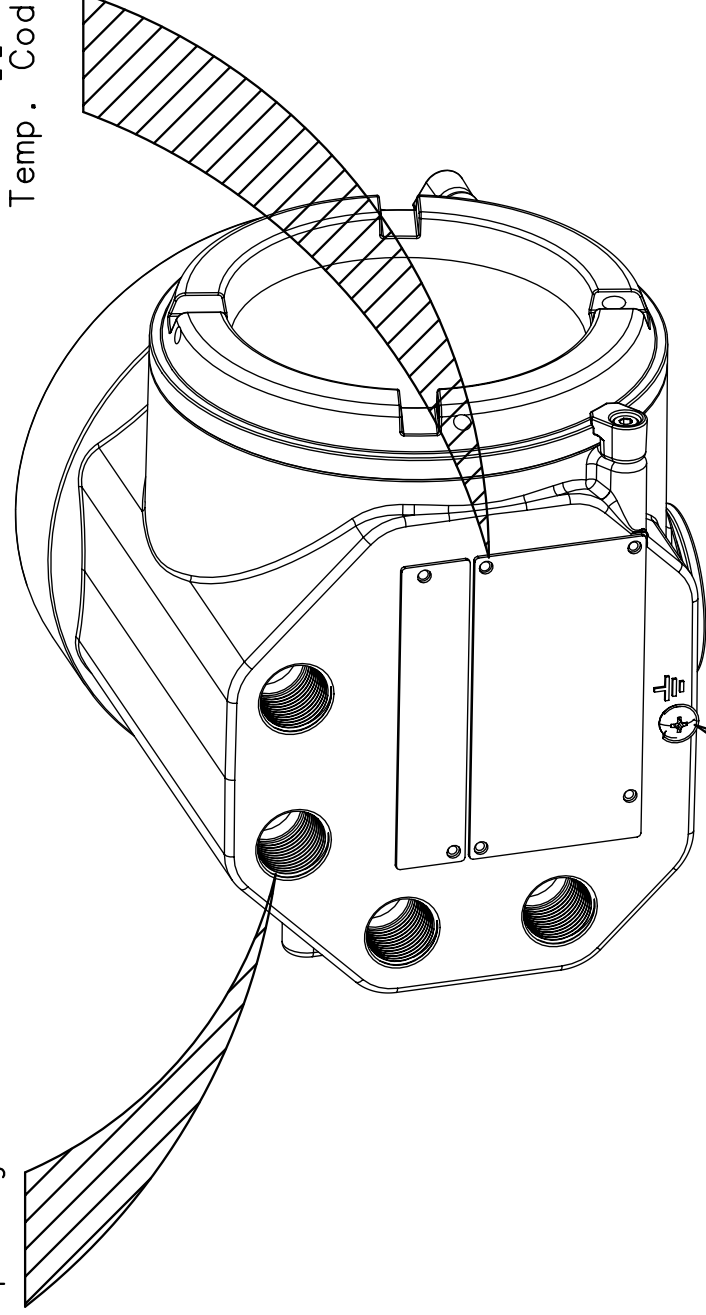


MODEL 5700
WITH ETHERNET OUTPUTS

MODEL 5700 WITH ETHERNET OUTPUTS IN HAZARDOUS LOCATION
(WARNING: SUBSTITUTIONS OF COMPONENTS MAY IMPAIR INTRINSIC SAFETY)

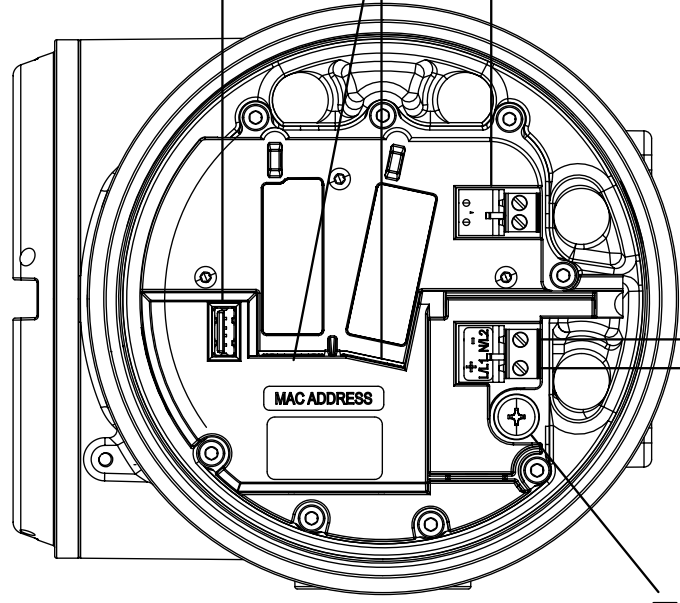
Warning:
This compartment contains non-intrinsically safe circuits. Use of conduit seals are required within 2 inches of the conduit openings.

Hazardous Area
Class **I** Div. 1 Groups C,D
Class **I** Div. 2 Groups A,B,C,D
Class **II** Groups E,F,G
Temp. Code Div 1: T6
Div 2: T4A



This unit is provided with an external terminal for supplementary bonding connection. This terminal is for use where local codes or authorities permit or require such connection.

Note:
Hazardous area classification on an integrally mounted 5700 transmitter can be limited by hazardous area classification of the sensor. Refer to sensor tag.



Internal ground

Power cover removed for clarity

85-250 Vac	50/60 Hz	N	L
18-100 Vdc		-	+

USB	
output	6V
Voc	120mA
Isc	
Input	6V
Vmax	120mA
Imax	

	ChA ETHERNET	ChB ETHERNET	ChC mA/FO/DO/DI
output			
Voc	4V	4V	26Vdc
Isc	300 mA	300mA	24mA
Input			
Vmax	-	-	30Vdc
Imax	-	-	500mA

Warning:
Do not connect or disconnect from USB port when in hazardous atmosphere