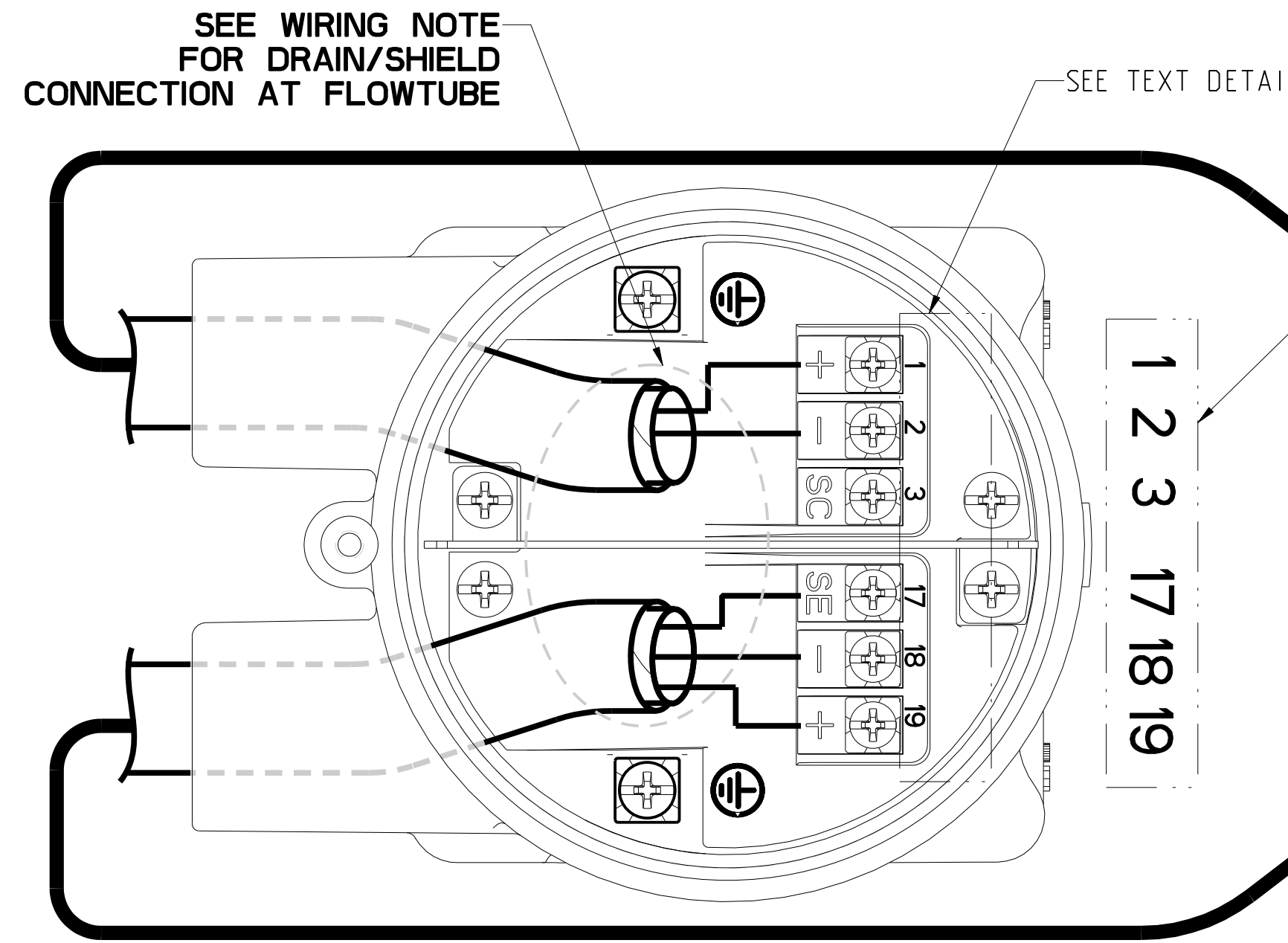


TABULATION	
DASH NO.	DESCRIPTION
-0001	AS SHOWN

THIS SHEET FOR 8732EM OR 8750WDM REMOTE TRANSMITTER WITH COMPONENT CABLES

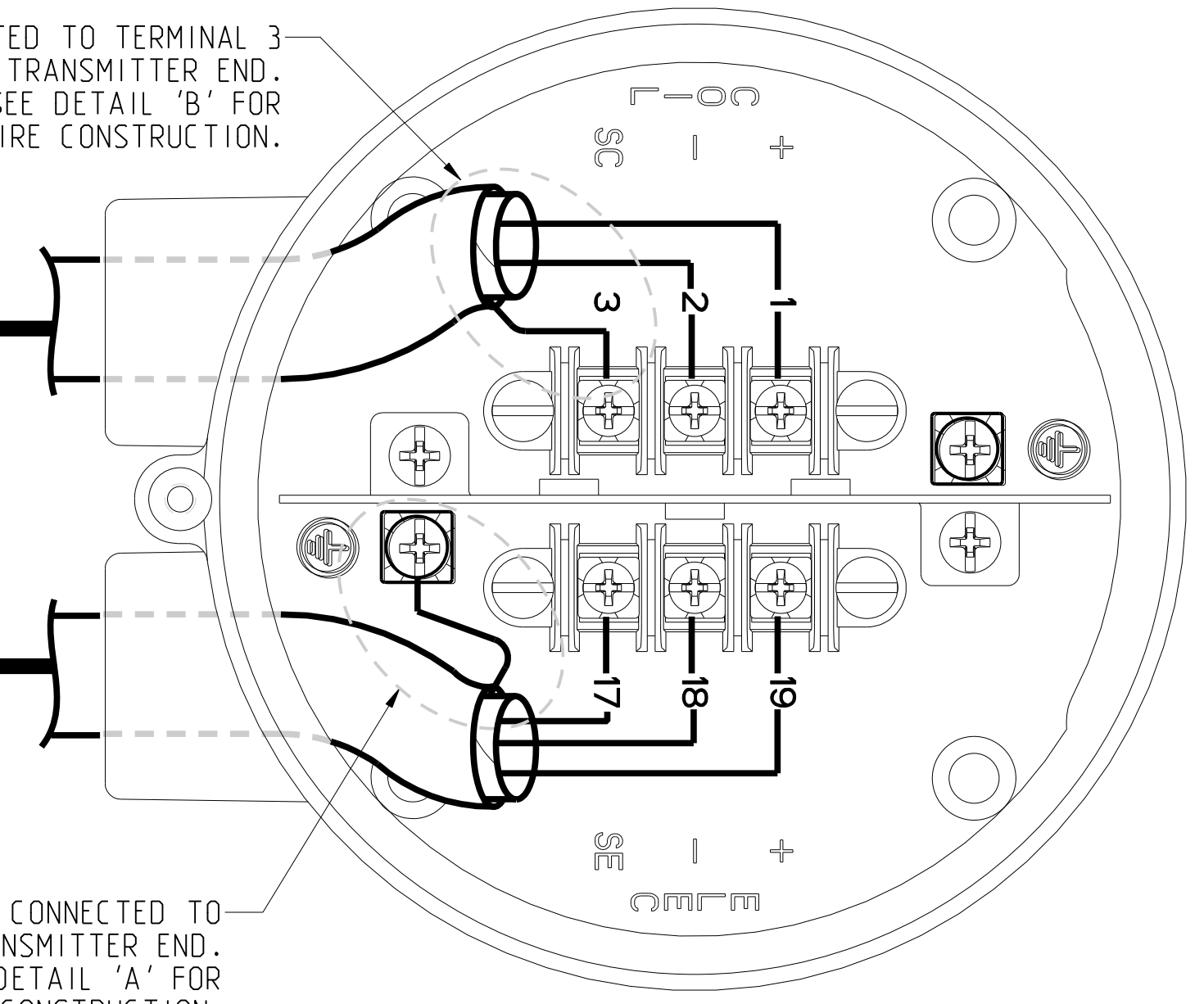
REVISION TABLE			
REVISION	ECO NO.	APP'D	DATE
AH	1117338	SAW	6/6/2019
DESCRIPTION			
ADD MS SENSOR			

MODEL 8732EM OR 8750WDM TRANSMITTER

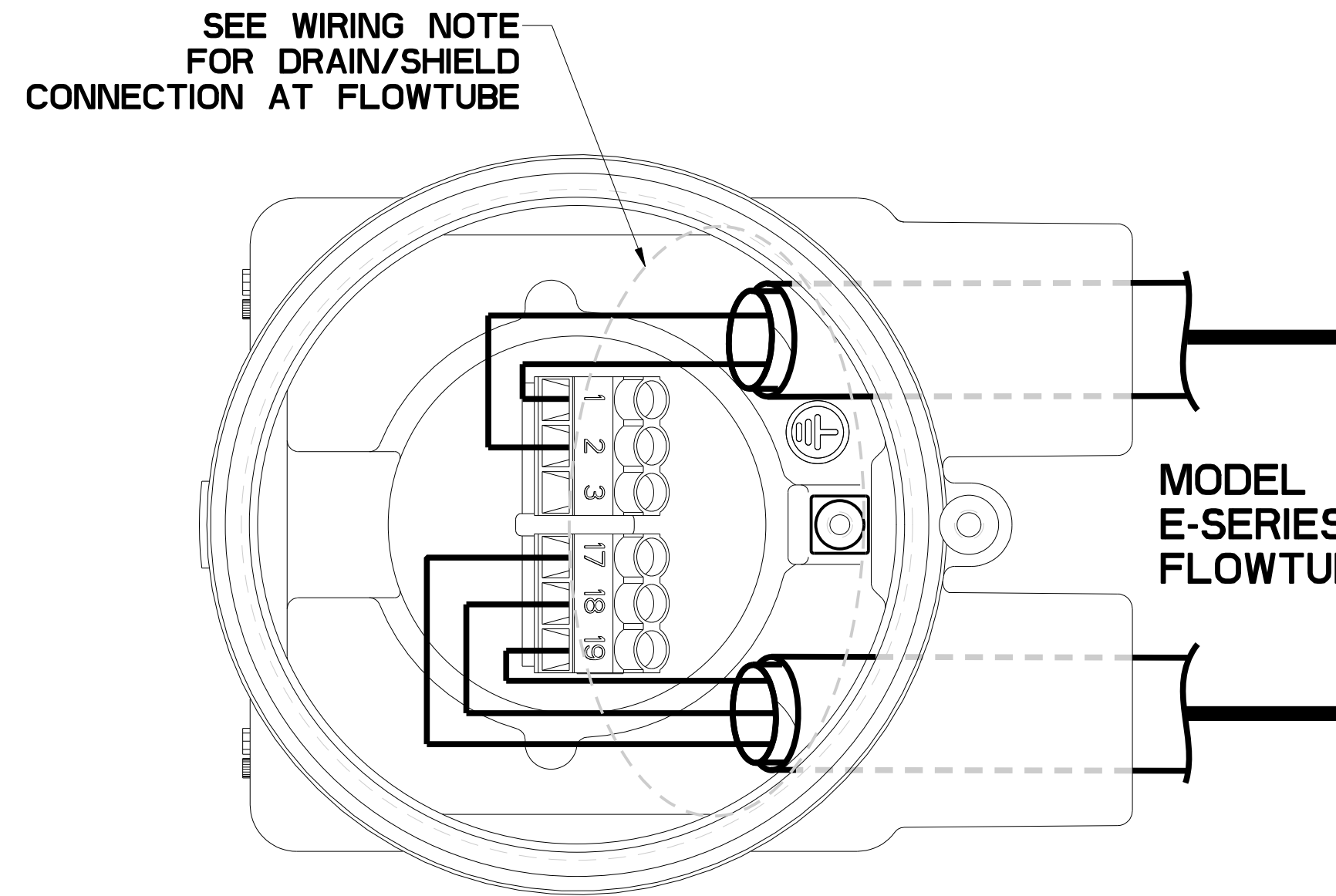


MODEL 8705-M, 8711-M/L, 8721-M/L, 8750WD, MS FLOWTUBES

DRAIN/SHIELD CONNECTED TO TERMINAL 3 (CHASSIS GROUND) ON TRANSMITTER END. SEE DETAIL 'B' FOR COIL WIRE CONSTRUCTION.



DRAIN SHIELD CONNECTED TO CHASSIS GROUND ON TRANSMITTER END. SEE DETAIL 'A' FOR ELECTRODE WIRE CONSTRUCTION.



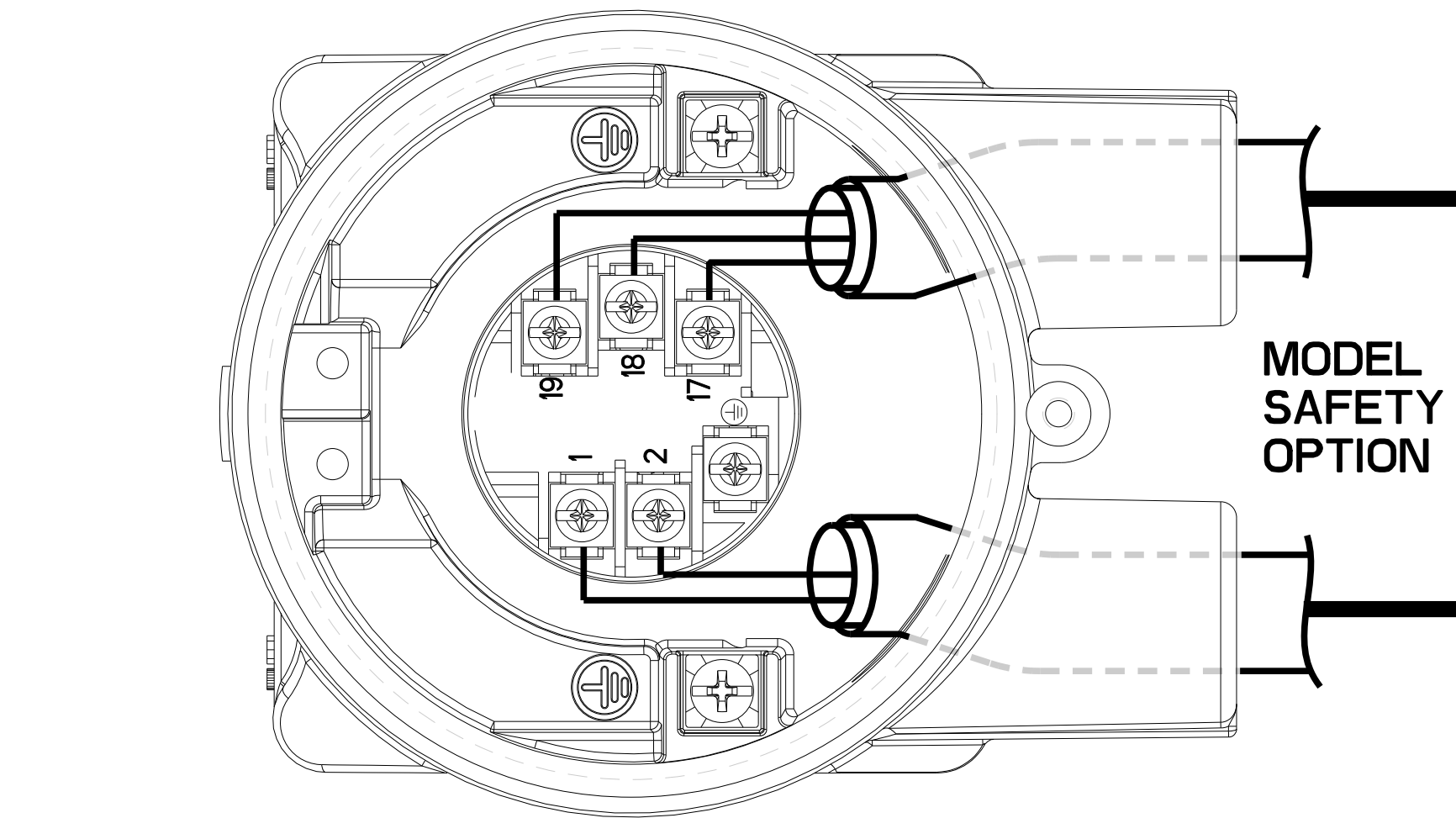
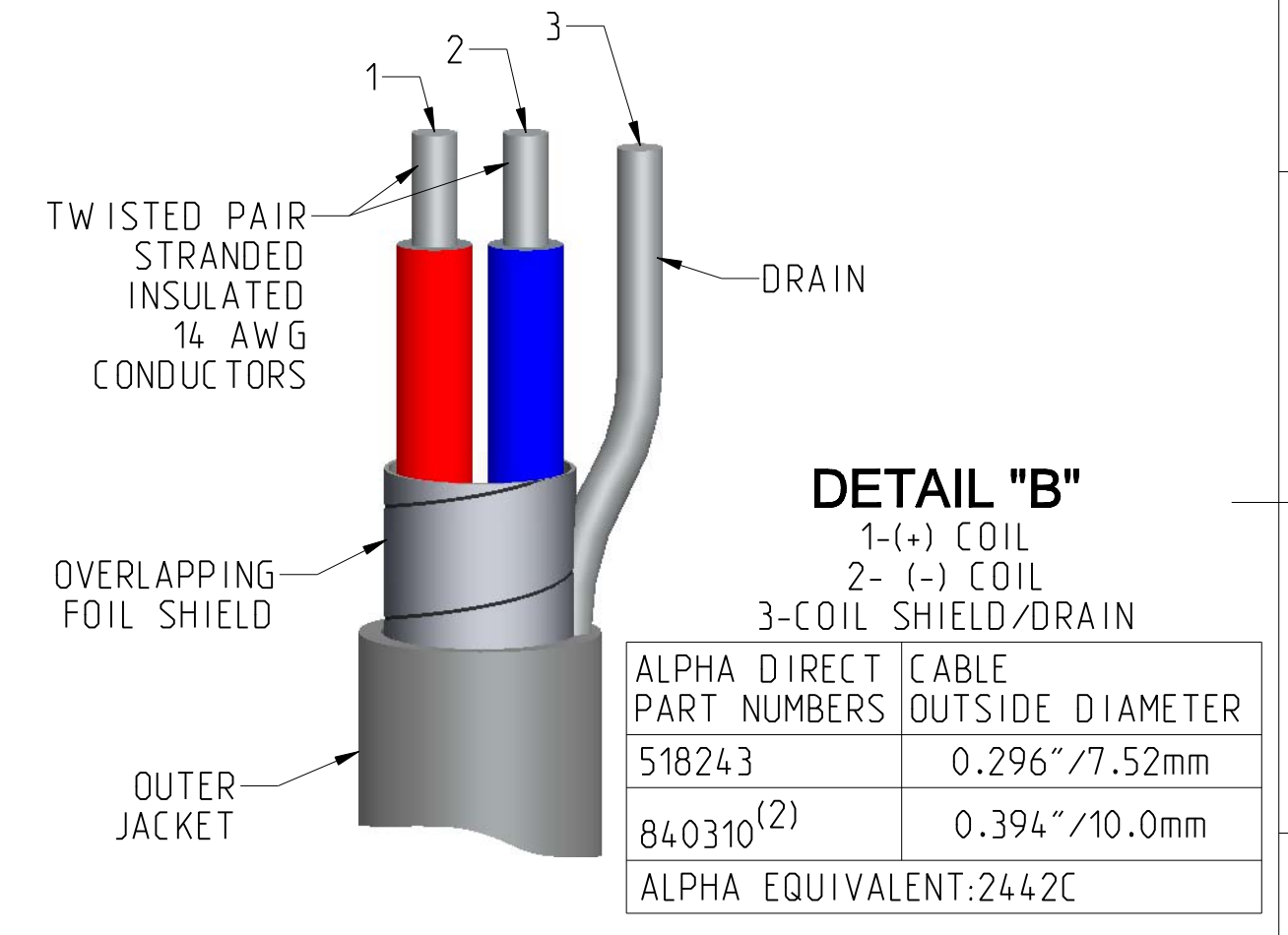
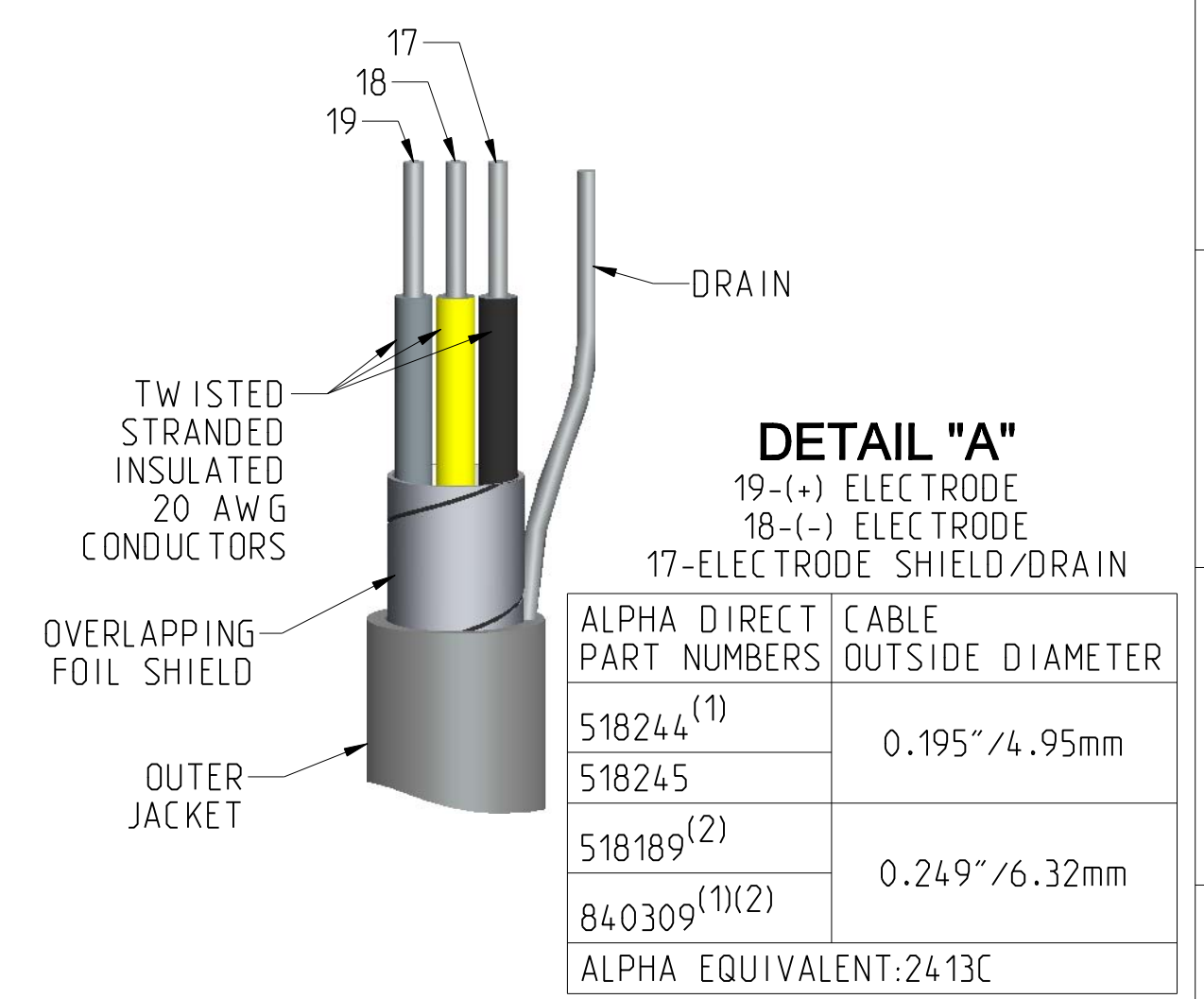
MODEL 8705, 8711 E-SERIES FLOWTUBES

**WIRING NOTE**

DRAIN/SHIELD OF COIL (SC TERMINAL 3) AND DRAIN/SHIELD OF ELECTRODE WIRING IS NOT CONNECTED ON FLOWTUBE END IN TYPICAL INSTALLATIONS.

AN ADDITIONAL CORRECTLY SIZED SAFETY EARTH CONDUCTOR WILL BE REQUIRED ON INSTALLATIONS REQUIRING SHIELDS GROUNDED TO CHASSIS/EARTH AT BOTH ENDS OF THE REMOTE CABLE. THERE MUST BE 1 OHM OR LESS OF RESISTANCE AT EACH END OF THE SAFETY GROUND AT THE DEVICE WITH RESPECT TO THE EARTH SAFETY GROUND.

SEE DETAIL "A" FOR ELECTRODE WIRE CONSTRUCTION  
SEE DETAIL "B" FOR COIL DRIVE WIRE CONSTRUCTION



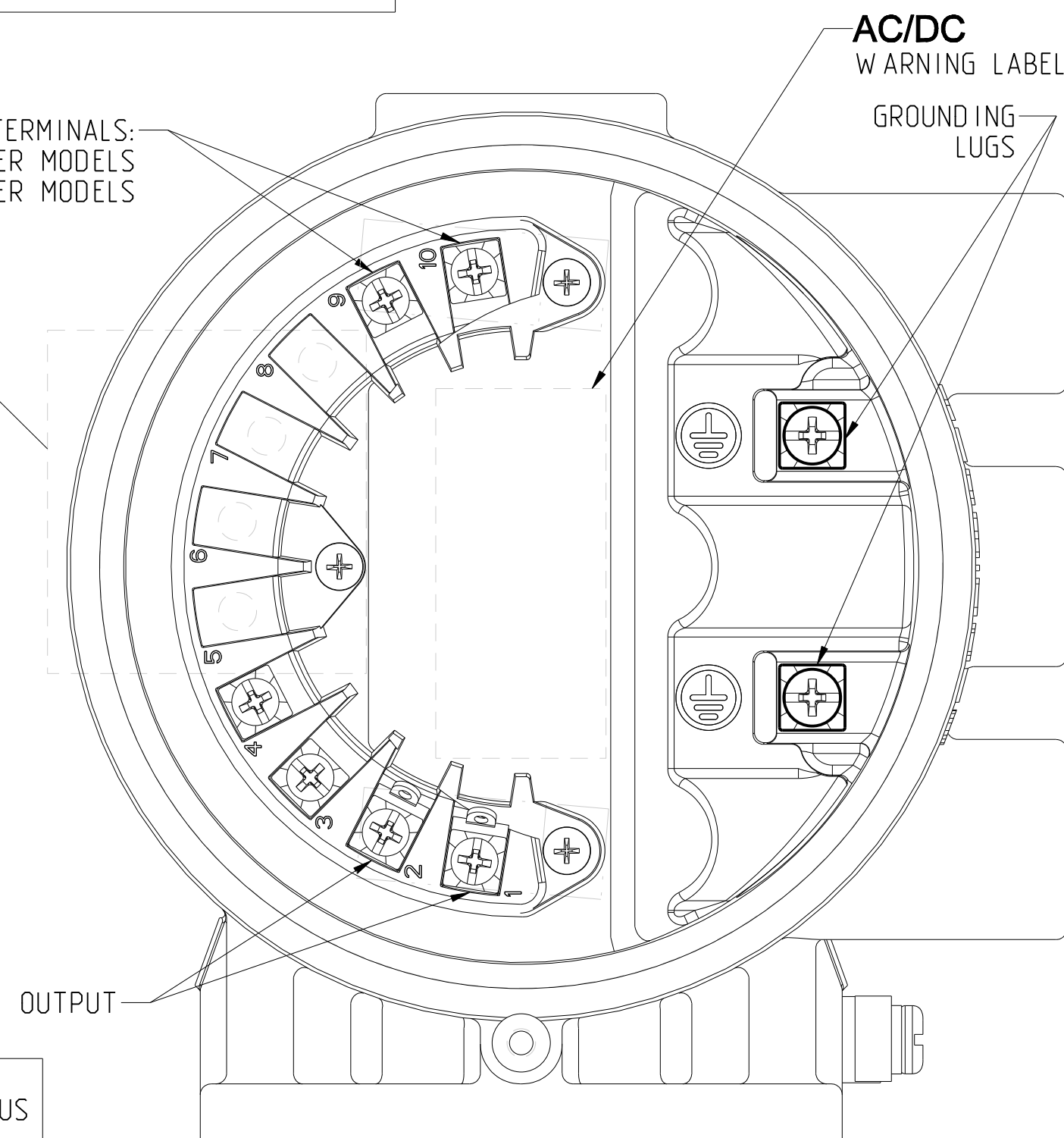
MODEL MS SAFETY APPROVAL OPTION 'NH'

POWER INPUT TERMINALS:  
90-250 VAC RMS FOR AC POWER MODELS  
12-42 VDC FOR DC POWER MODELS

TERMINAL	DESCRIPTION
1	OUTPUT
2	OUTPUT
3	PULSE (-)
4	PULSE (+)
5	D1/DO 1(-)
6	D1/DO 1(+)
7	D1/DO 2(-)
8	D1/DO 2(+)
9	DC (-), AC N/L2
10	DC (+), AC L1

OUTPUT	HART INTERNAL POWER	HART EXTERNAL POWER	MODBUS RS-485	FIELD BUS
1	+	-	B	△
2	-	+	A	△

△ OUTPUT IS POLARITY INSENSITIVE.



8732EM OR 8750WDM TRANSMITTER OUTPUT AND POWER WIRING

ROSEMOUNT CABLING KITS 08732-0065-XXXX	ALPHA PART NUMBERS 518244, 518245, 518189 <sup>(1)</sup> , 840309 <sup>(1)(2)</sup>	ALPHA PART NUMBERS 518243, 840310 <sup>(2)</sup>
19	19	
18	18	
17	17	
1	-	1
2	-	2
3	-	3
DRAIN (SHIELD)	-	DRAIN (SHIELD)

NOTES:  
STANDARD TEMPERATURE: RATED (-20°C TO 75°C)  
(1) INTRINSICALLY SAFE, LIGHT BLUE JACKET  
(2) EXTENDED TEMPERATURE (RATED -50°C TO 125°C)

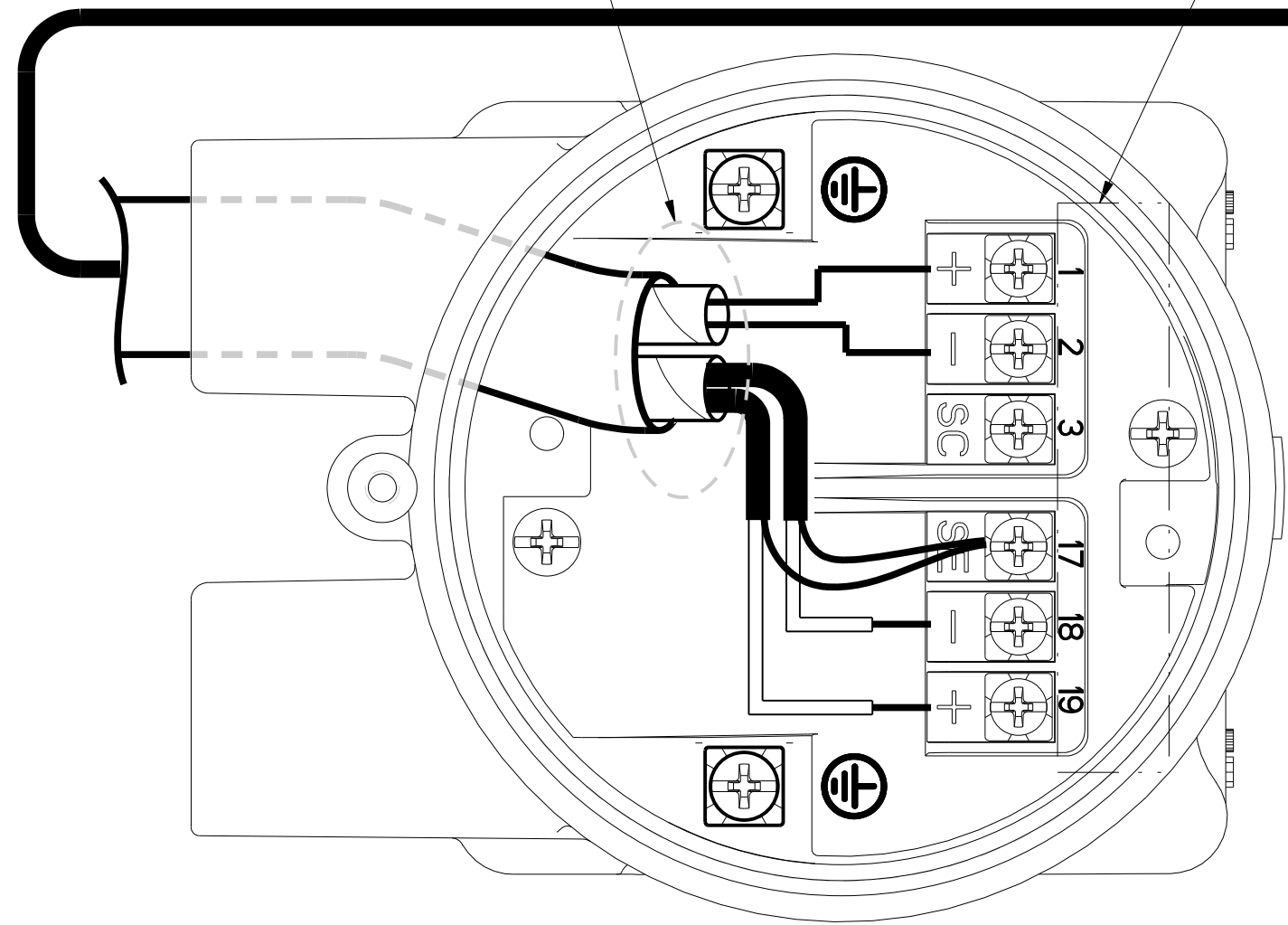
CONFIDENTIAL AND PROPRIETARY INFORMATION IS CONTAINED HEREIN AND MUST BE HANDLED ACCORDINGLY. ROSEMOUNT	SURFACE FINISH UNLESS OTHERWISE SPECIFIED 125° 3RD ANGLE	SIZE D SCALE 5/4	REV AH
UNLESS OTHERWISE SPECIFIED DIMENSIONS IN INCHES (mm). REMOVE ALL BURRS AND SHARP EDGES.			
<b>ROSEMOUNT</b> 8200 Market Boulevard - Chanhassen, MN 55317 USA			
TITLE <b>INSTALLATION DRAWING.</b>			
8732EM OR 8750WDM TRANSMITTER WIRING			
DR. D. BROKKE 3/11/13	APP'DE. MESSENGER 6/6/13	DRAWING NO. 08732-1504	
DO NOT SCALE PRINT   CAD MAINTAINED. (I/PRO/E) PRODUCT CODE -   DOC TYPE -   SHEET 1 OF 2			

DRAWING NO. 08732-1504

THIS SHEET FOR 8732EM OR 8750WDM REMOTE TRANSMITTER WITH COMBINATION ELECTRODE AND COIL DRIVE CABLE

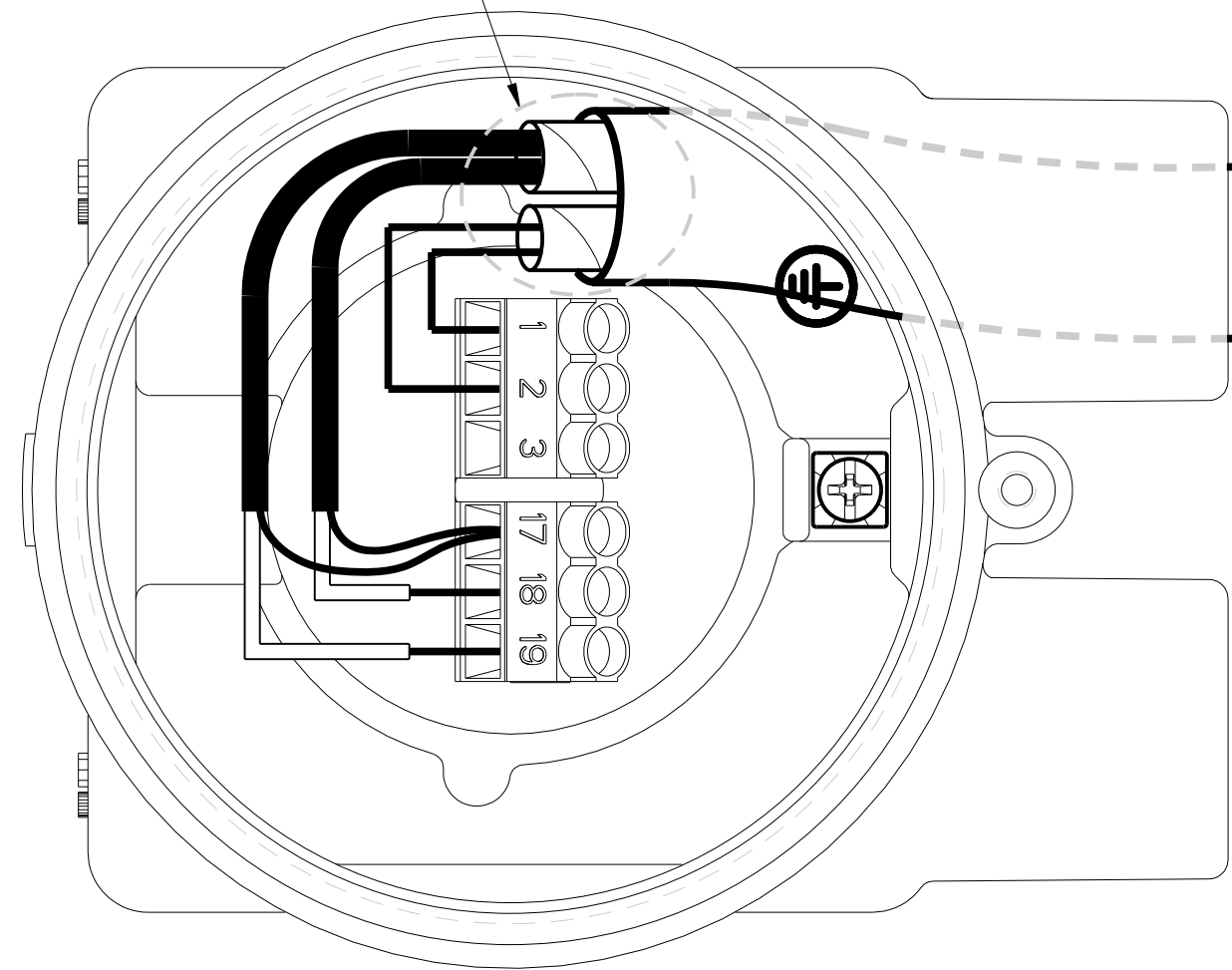
SEE WIRING NOTE FOR DRAIN/SHIELD CONNECTION AT FLOWTUBE

SEE TEXT DETAIL



MODEL 8705-M,  
8711-M/L, 8721  
8750WD,  
FLOWTUBES

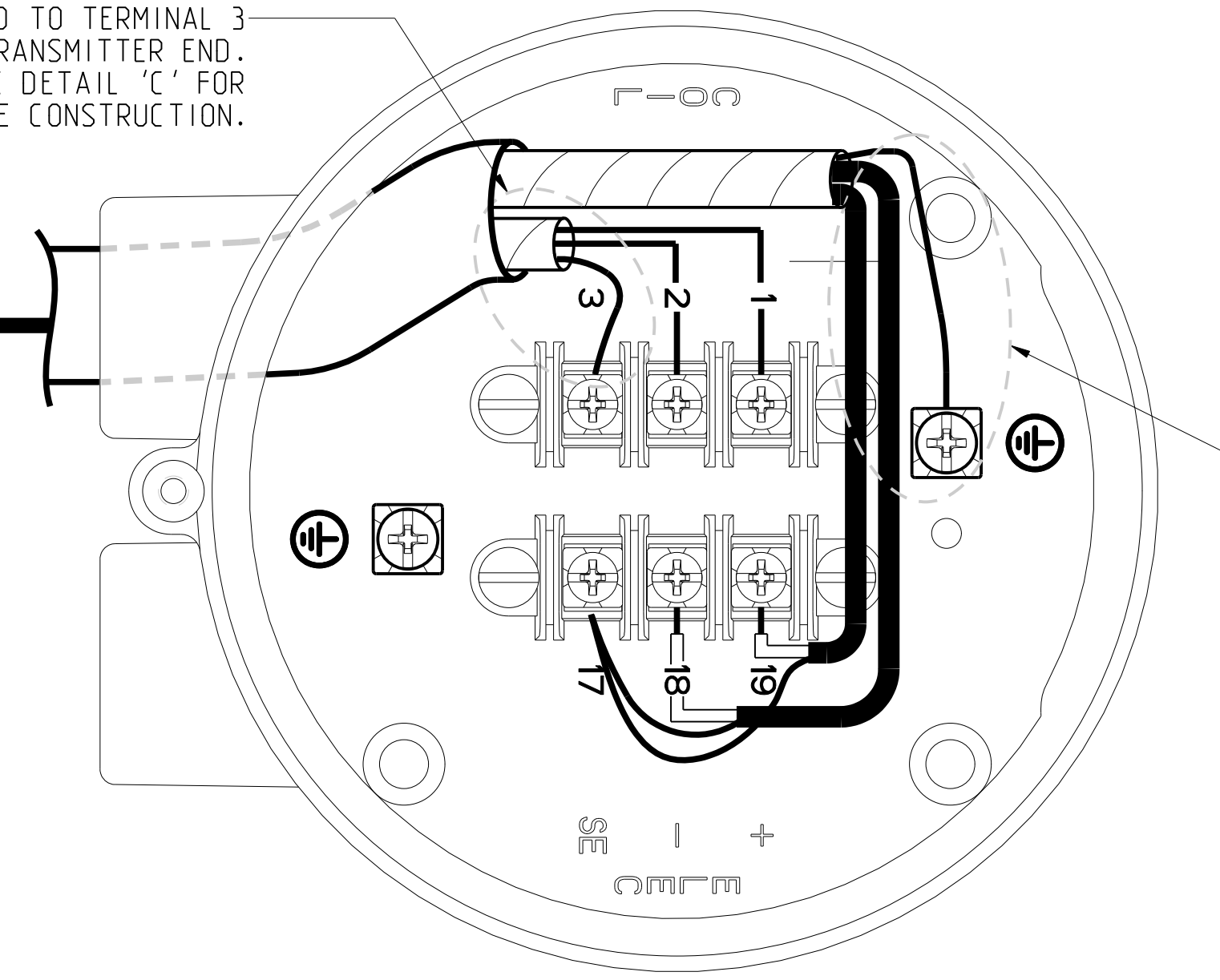
SEE WIRING NOTE FOR DRAIN/SHIELD CONNECTION AT FLOWTUBE



MODEL 8705, 8711  
E-SERIES  
FLOWTUBES

MODEL 8732EM OR 8750WDM TRANSMITTER

DRAIN/SHIELD CONNECTED TO TERMINAL 3 (CHASSIS GROUND) ON TRANSMITTER END. SEE DETAIL 'C' FOR COIL WIRE CONSTRUCTION.



ELECTRODE DRAIN/SHIELD CONNECTED TO CHASSIS GROUND ON TRANSMITTER END. SEE DETAIL 'C' FOR ELECTRODE WIRE CONSTRUCTION.

WIRING NOTE

DRAIN/SHIELD OF COIL (SC TERMINAL 3) AND DRAIN/SHIELD OF ELECTRODE WIRING IS NOT CONNECTED ON FLOWTUBE END IN TYPICAL INSTALLATIONS.

AN ADDITIONAL CORRECTLY SIZED SAFETY EARTH CONDUCTOR WILL BE REQUIRED ON INSTALLATIONS REQUIRING SHIELDS GROUNDED TO CHASSIS/EARTH AT BOTH ENDS OF THE REMOTE CABLE. THERE MUST BE 1 OHM OR LESS OF RESISTANCE AT EACH END OF THE SAFETY GROUND AT THE DEVICE WITH RESPECT TO THE EARTH SAFETY GROUND.

SEE DETAIL "C" FOR WIRE CONSTRUCTION

POWER INPUT TERMINALS:  
90-250 VAC RMS FOR AC POWER MODELS  
12-42 VDC FOR DC POWER MODELS

OPTIONAL  
DIGITAL INPUT  
DIGITAL OUTPUT  
(DI/DO)

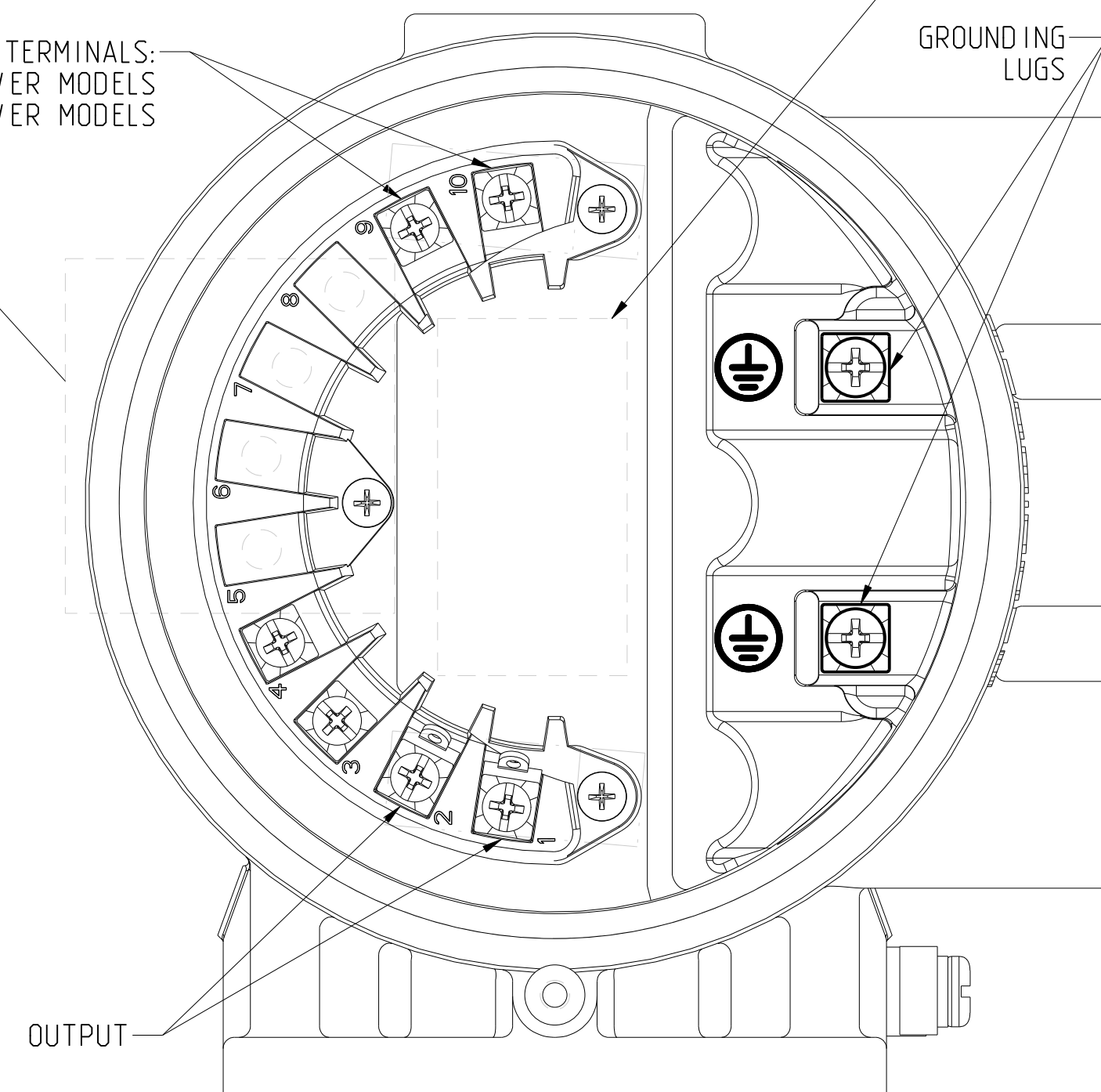
8732EM WIRING DIAGRAM	
TERMINAL	DESCRIPTION
1	OUTPUT
2	OUTPUT
3	PULSE (-)
4	PULSE (+)
5	DI/DO 1 (-)
6	DI/DO 1 (+)
7	DI/DO 2 (-)
8	DI/DO 2 (+)
9	DC (-). AC N/L2
10	DC (+). AC L1

OUTPUT	HART INTERNAL POWER	HART EXTERNAL POWER	MODBUS RS-485	FIELD BUS
1	+	-	B	△
2	-	+	A	

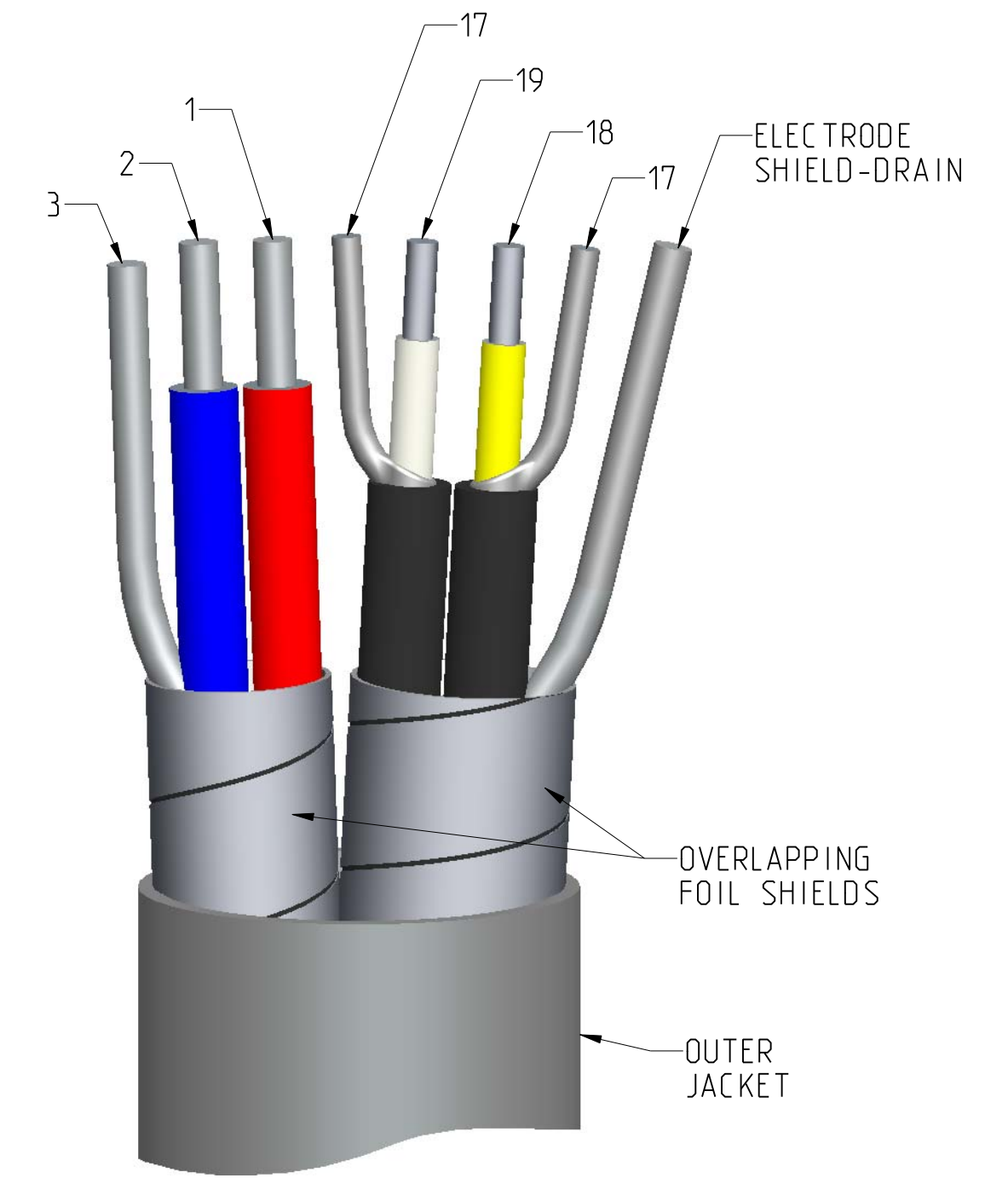
△ OUTPUT IS POLARITY INSENSITIVE.

AC/DC  
WARNING LABEL

GROUNDING  
LUGS



8732EM OR 8750WDM TRANSMITTER  
OUTPUT AND POWER WIRING



DETAIL "C"

TERMINAL NUMBER AND CONDUCTOR INSULATOR WIRE COLOR

ROSEMOUNT COMBINATION  
COIL/ELECTRODE CABLE COLOR CODING  
PART NUMBERS

STANDARD 08732-0065-2001<sup>(1)</sup> (FEET)  
STANDARD 08732-0065-2002<sup>(1)</sup> (METERS)  
SUBMERSIBLE 08732-0065-3001<sup>(2)</sup> (FEET)  
SUBMERSIBLE 08732-0065-3002<sup>(2)</sup> (METERS)

19	WHITE
18	YELLOW
17	BLACK
-	DRAIN (ELECTRODE SHIELD)
1	RED
2	BLUE
3	DRAIN (COIL SHIELD)

NOTES:  
OUTSIDE DIAMETER OF ALL PART NUMBERS:  
0.450" / 11.43mm  
JACKET COLOR/TEMPERATURE RATING  
(1) GRAY - RATED -20°C TO 80°C  
(2) BLACK - RATED -20°C TO 80°C DRY  
60°C WET (SUBMERGED)

CONFIDENTIAL AND PROPRIETARY INFORMATION IS CONTAINED HEREIN AND MUST BE HANDLED ACCORDINGLY. ROSEMOUNT	SURFACE FINISH UNLESS OTHERWISE SPECIFIED	125°	3RD ANGLE	SIZE D	SCALE 5/4	REV AH
<p>UNLESS OTHERWISE SPECIFIED DIMENSIONS IN INCHES (mm). REMOVE ALL BURRS AND SHARP EDGES.</p>						
<p>EMERSON 8200 Market Boulevard - Chanhassen, MN 55317 USA</p>						
<p>TITLE: INSTALLATION DRAWING, 8732EM OR 8750WDM TRANSMITTER WIRING</p>						
<p>DR. D. BROKKE 3/11/13 DRAWING NO. 08732-1504</p>						
<p>APP'DE. MESSENGER 6/6/13</p>						
<p>DO NOT SCALE PRINT   CAD MAINTAINED (I/PRO/E)   PRODUCT CODE -   DOC TYPE -   SHEET 2 OF 2</p>						

08732-1504  
DRAWING NO.