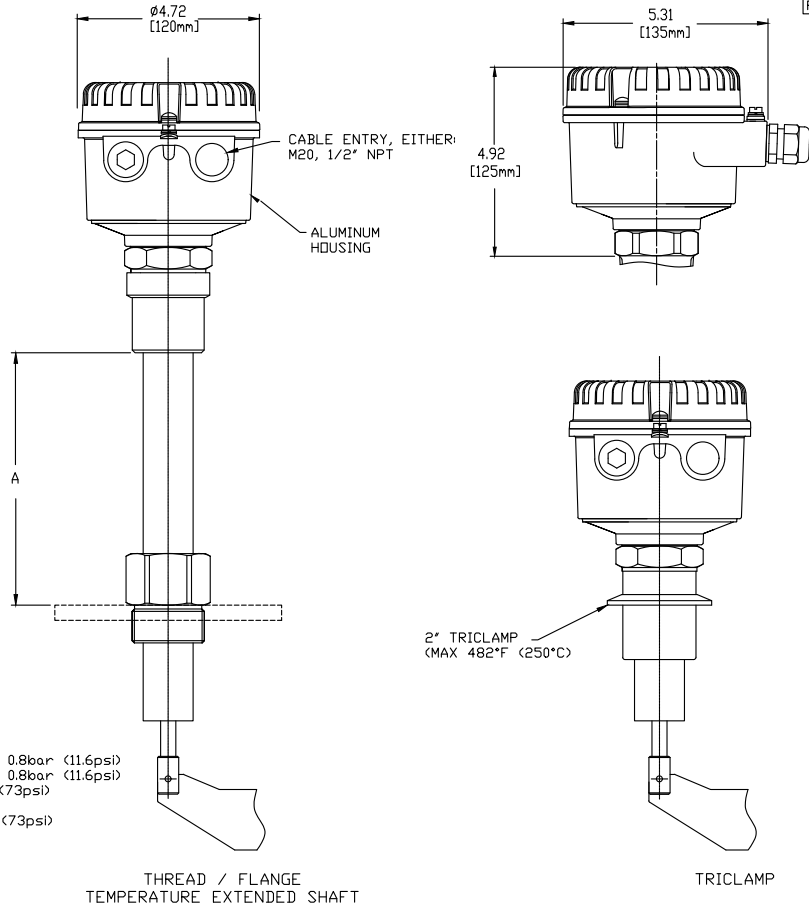
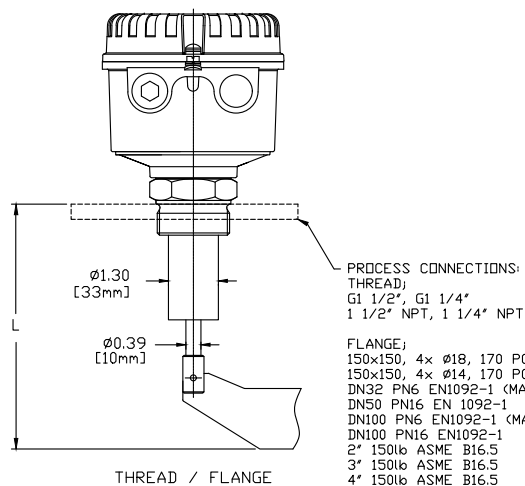


ROSEMOUNT 2501 (J) SOLIDS LEVEL SWITCH
ROTATING PADDLE

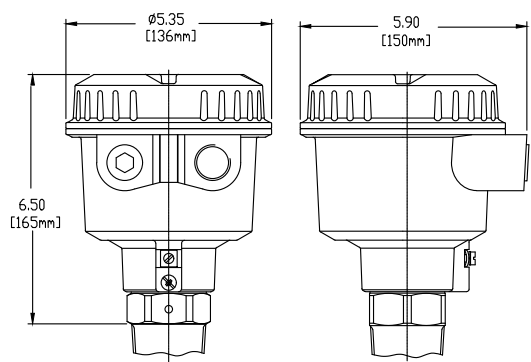
REVISION TABLE			
REVISION	ECD NO.	APP'D	DATE
AB	RTC1076043	D. ISAKSSON	9/28/2020
DESCRIPTION			
PHASE 2 RELEASED			

PROCESS TEMPERATURE	DIMN "A"
302°F (150°C)	7.87" [200mm]
482°F (250°C)	7.87" [200mm]
662°F (350°C)	11.81" [300mm]
1112°F (600°C)	15.74" [400mm]

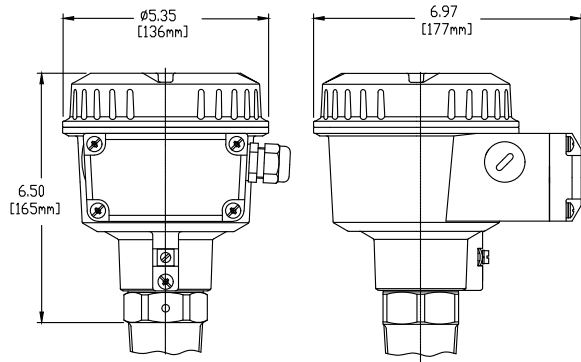
EXTENSION LENGTH "L"		
5.90" [150mm]	ONLY WITH VANES A,B,C,D,E	REFER DRG 02500-1002
7.87" [200mm]		
9.84" [250mm]		
11.81" [300mm]		
OTHER LENGTHS MIN 13.78" [350mm] - MAX 23.62" [600mm]		



FLAMEPROOF HOUSING



FLAMEPROOF INCREASED SAFETY HOUSING



72015 ROSEMOUNT INC.
ROSEMOUNT INC CERTIFIES
THESE DIMENSIONS ARE IN
INCHES UNLESS OTHERWISE
SPECIFIED.
ROSEMOUNT ENGINEERING
SPECIFICATIONS.
UNIT NOTES IN INCHES (mm)

REFERENCE ROSEMOUNT
PRODUCT DATA SHEETS FOR
PRODUCT SPECIFICATIONS.
CLICK HERE

3RD ANGLE		SIZE	A2	SCALE	1:2.5
EMERSON					
TITLE DRG, TYPE 1, SOLID LEVEL SWITCH					
DR.	PC-IM	7/30/2020	DRAWING NO.	02501-1006	
APP'D	CT	7/30/2020			
CAD MAINTAINED			SHEET 1 OF 1		