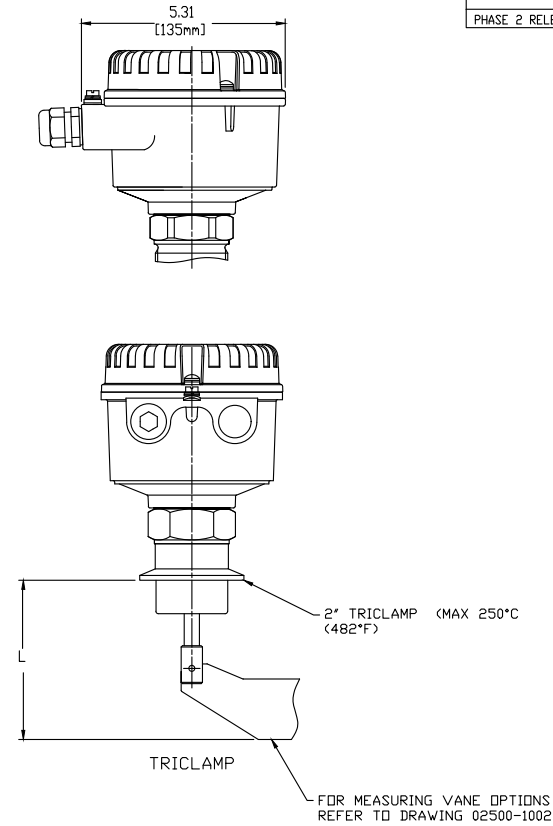
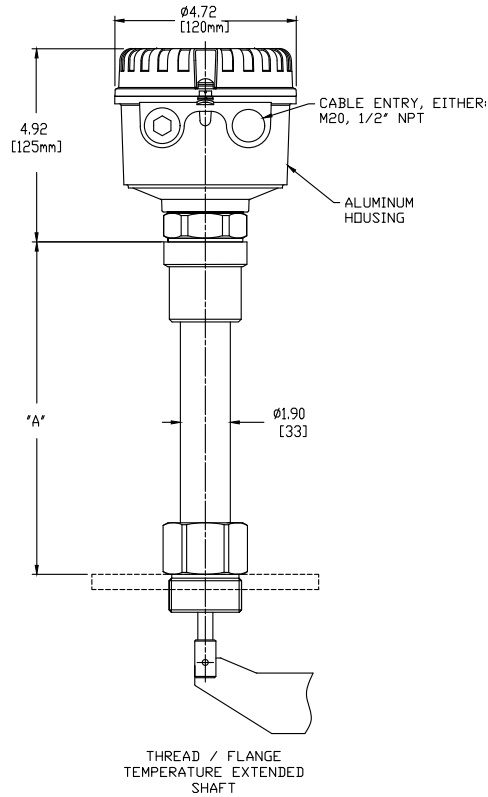
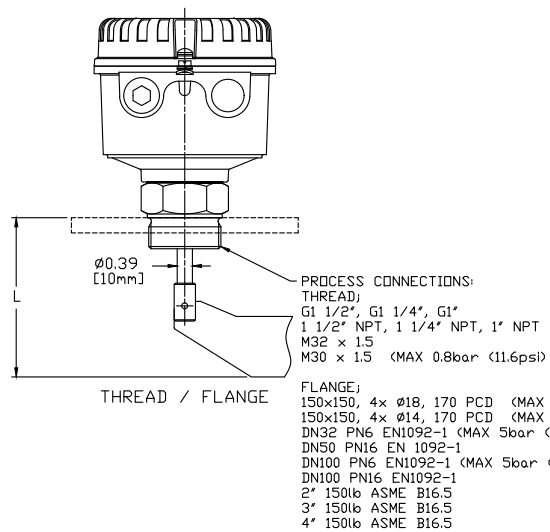


ROSEMOUNT 2501 (L) SOLIDS LEVEL SWITCH
ROTATING PADDLE (STANDARD LENGTH)

STANDARD HOUSING

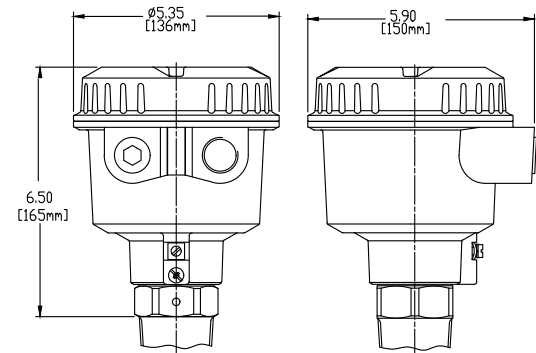
| PROCESS TEMPERATURE | DIMN "A" |
|---------------------|----------------|
| 302°F (150°C) | 7.87" [200mm] |
| 482°F (250°C) | 7.87" [200mm] |
| 350°F (662°C) | 11.84" [300mm] |
| 1112°F (600°C) | 15.74" [400mm] |
| 2012°F (1100°C) | 27.56" [700mm] |

| EXTENSION LENGTH "L" | | |
|--------------------------------------------------------|-------------------------------|----------------------|
| 2.76" [70mm] | ONLY WITH VANE P | REFER DRG 02500-1002 |
| 3.94" [100mm] | ONLY WITH VANES A,B,C,D,E,J,R | |
| 5.91" [150mm] | | |
| 7.87" [200mm] | | |
| 9.84" [250mm] | | |
| 11.81" [300mm] | | |
| OTHER LENGTHS MIN 13.78" [350mm] - MAX 39.37" [1000mm] | | |

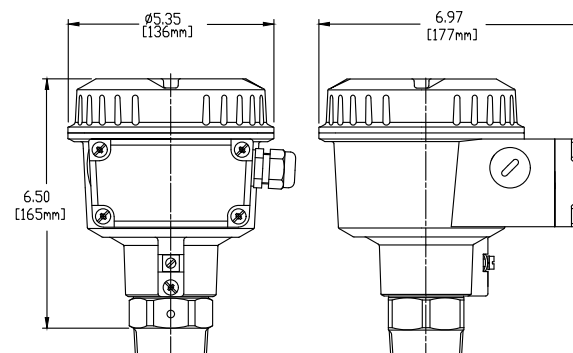


| REVISION TABLE | | | |
|------------------|------------|-------------|-----------|
| REVISION | ECD NO. | APP'D | DATE |
| AB | RTC1076043 | D. ISAKSSON | 9/28/2020 |
| DESCRIPTION | | | |
| PHASE 2 RELEASED | | | |

FLAMEPROOF HOUSING



FLAMEPROOF INCREASED SAFETY HOUSING



72015 ROSEMOUNT INC.
ROSEMOUNT INC. CERTIFIES
THESE DRAWINGS ARE IN
CONFORMANCE WITH THE
ROSEMOUNT ENGINEERING
SPECIFICATIONS.
UNIT NOTES IN INCHES (mm).

REFERENCE ROSEMOUNT
PRODUCT DATA SHEETS FOR
PRODUCT SPECIFICATIONS.
CLICK HERE

| | | |
|------------------------------------------|------------|---------------------------|
| 3RD ANGLE | SIZE A2 | SCALE 1:2.5 |
| | | |
| TITLE DRG, TYPE 1, SOLID LEVEL SWITCH | | |
| DR. PC-IM | 7/30/2020 | DRAWING NO. 02501-1002 |
| APP'D CT | 7/30/2020 | |
| CAD MAINTAINED | SHEET 1 | OF 1 |