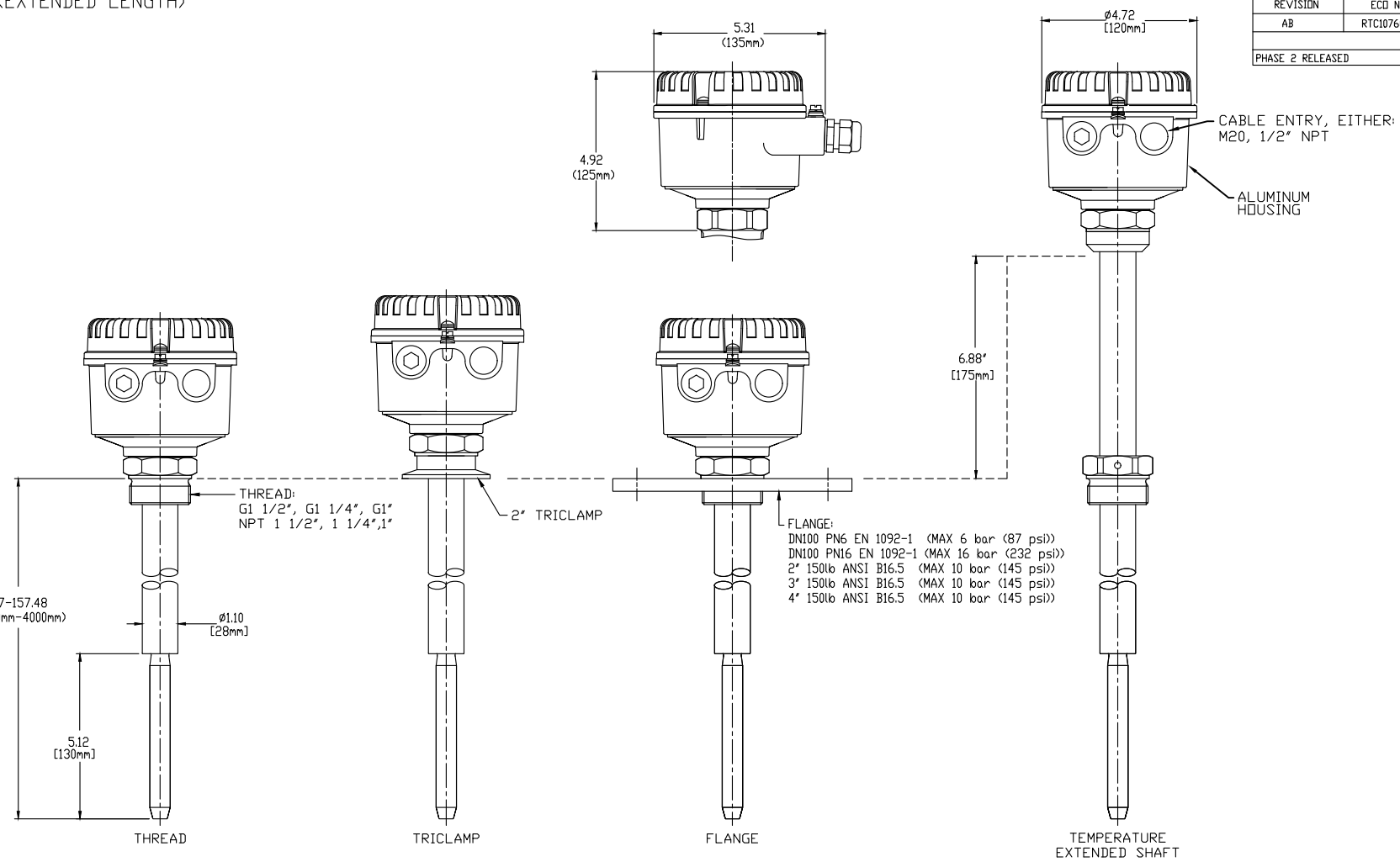


ROSEMOUNT 2535 SOLIDS LEVEL SWITCH
VIBRATING ROD (EXTENDED LENGTH)

| REVISION TABLE | | | |
|------------------|------------|-------------|-----------|
| REVISION | ECD NO. | APP'D | DATE |
| AB | RTC1076043 | D. ISAKSSON | 9/28/2020 |
| DESCRIPTION | | | |
| PHASE 2 RELEASED | | | |



7.87-157.48
(L=200mm-4000mm)

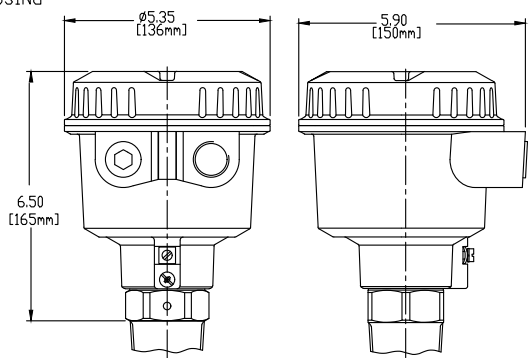
THREAD:
G1 1/2", G1 1/4", G1"
NPT 1 1/2", 1 1/4", 1"

2" TRICLAMP

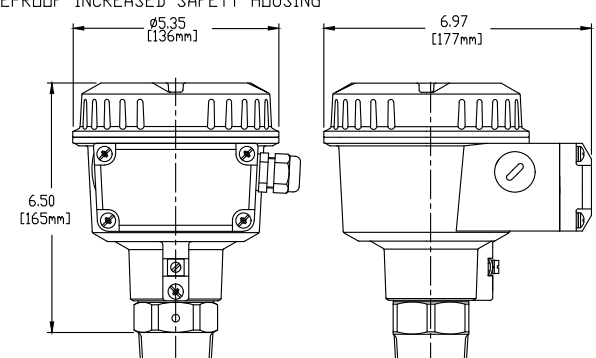
FLANGE:
DN100 PN6 EN 1092-1 (MAX 6 bar (87 psi))
DN100 PN16 EN 1092-1 (MAX 16 bar (232 psi))
2" 150lb ANSI B16.5 (MAX 10 bar (145 psi))
3" 150lb ANSI B16.5 (MAX 10 bar (145 psi))
4" 150lb ANSI B16.5 (MAX 10 bar (145 psi))

TEMPERATURE
EXTENDED SHAFT

FLAMEPROOF HOUSING



FLAMEPROOF INCREASED SAFETY HOUSING



| | | | |
|--|--|------------------------|---------------------------|
| 72015 ROSEMOUNT INC. ROSEMOUNT INC. CERTIFIES THE ACCURACY OF THE DIMENSIONS SHOWN IN THIS DRAWING TO THE ROSEMOUNT ENGINEERING SPECIFICATIONS. UNIT NOTES IN INCHES (mm). REFERENCE ROSEMOUNT PRODUCT DATA SHEETS FOR PRODUCT SPECIFICATIONS. CLICK HERE | 3RD ANGLE | SIZE A2 | SCALE 1:2.5 |
| | | | |
| | TITLE DRG, TYPE 1, SOLID LEVEL SWITCH | | |
| | DR. PC-IM APP'D. CT | 7/30/2020 7/30/2020 | DRAWING NO. 02535-1003 |