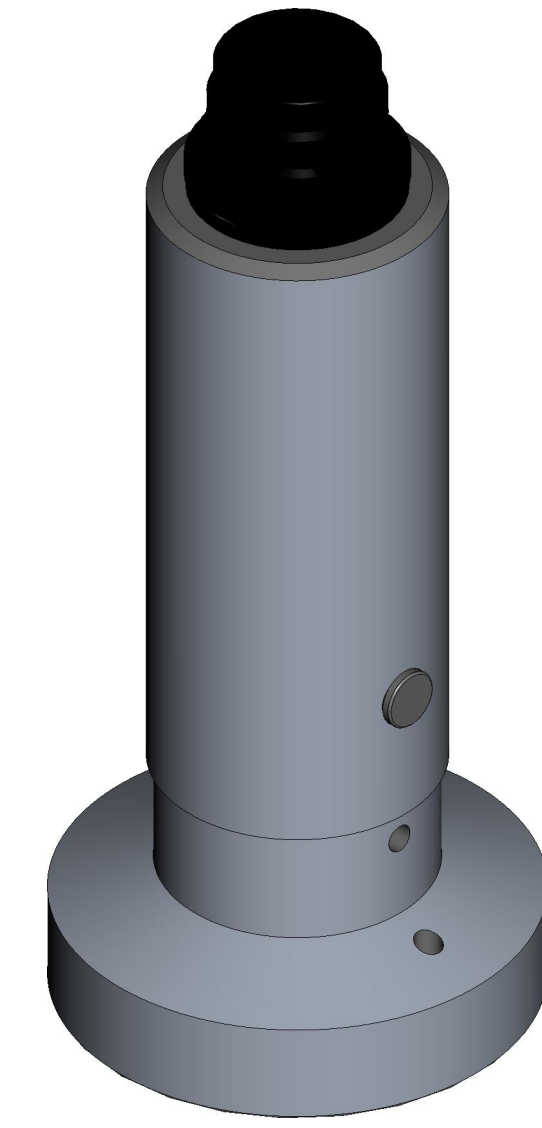
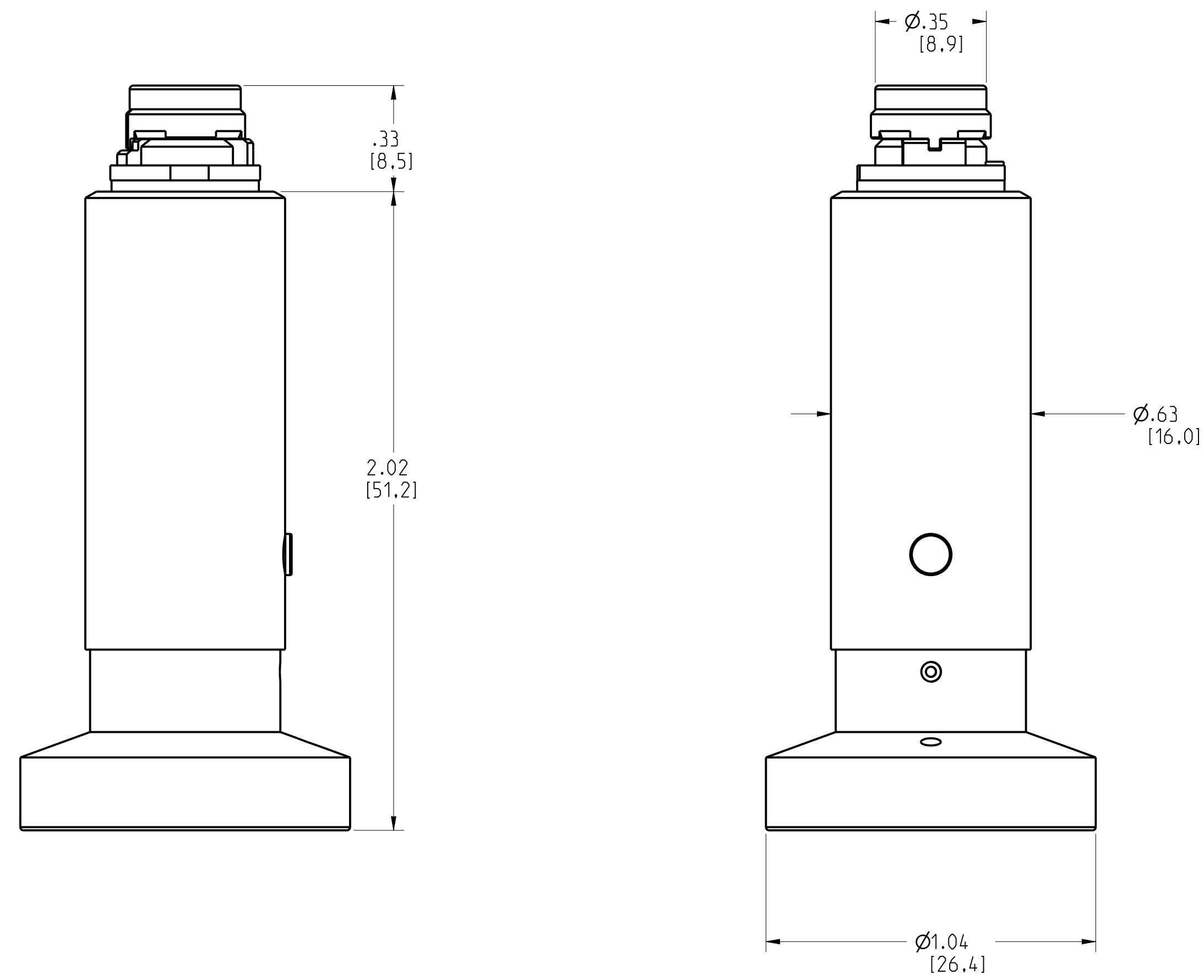


# ROSEMOUNT 550PT SINGLE-USE PRESSURE TRANSMITTER

REVISION TABLE			
REVISION	ECO NO.	APP'D	DATE
AA	RTC1075381	C. PRAUSE	5/27/20
DESCRIPTION			
NEW RELEASE			



©2015 ROSEMOUNT, INC.  
 ROSEMOUNT AND ALL OTHER TRADE NAMES  
 IN THIS DRAWING ARE USED IN  
 ACCORDANCE WITH  
 ROSEMOUNT ENGINEERING  
 SPECIFICATIONS.  
 UNIT NOTES IN INCHES (mm).

REFERENCE ROSEMOUNT  
 PRODUCT SPECIFICATIONS.  
 CLICK HERE

3RD ANGLE

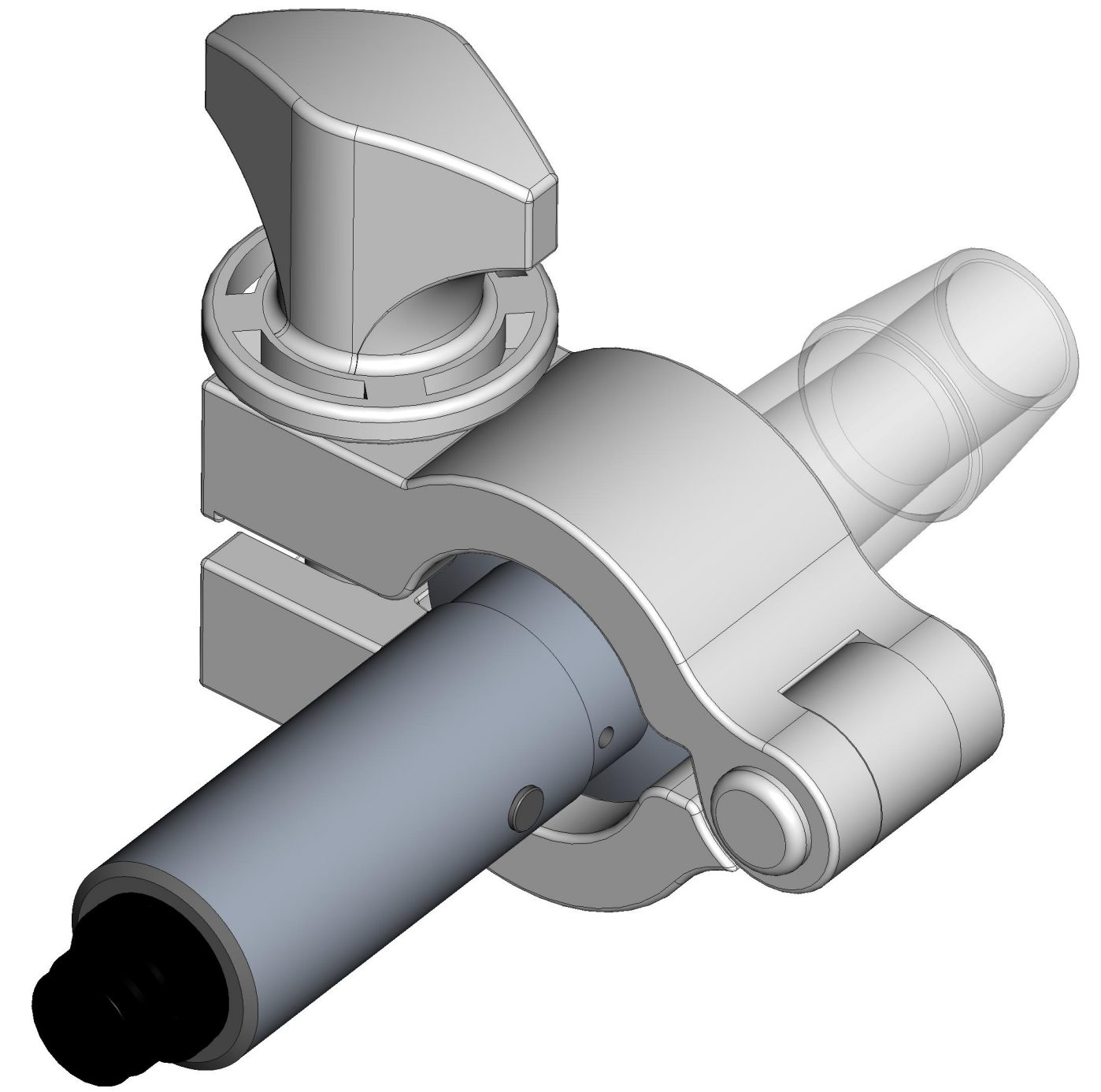
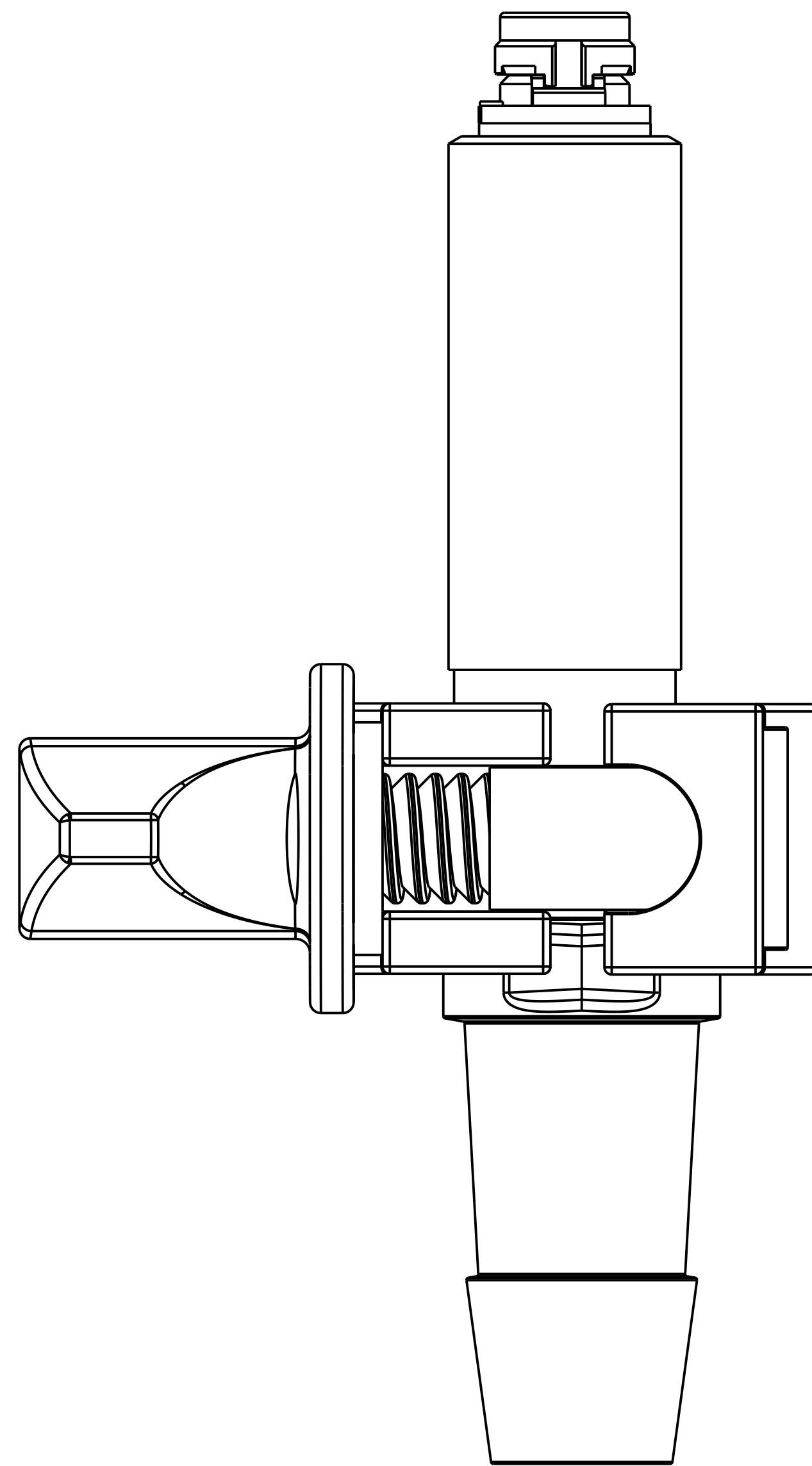
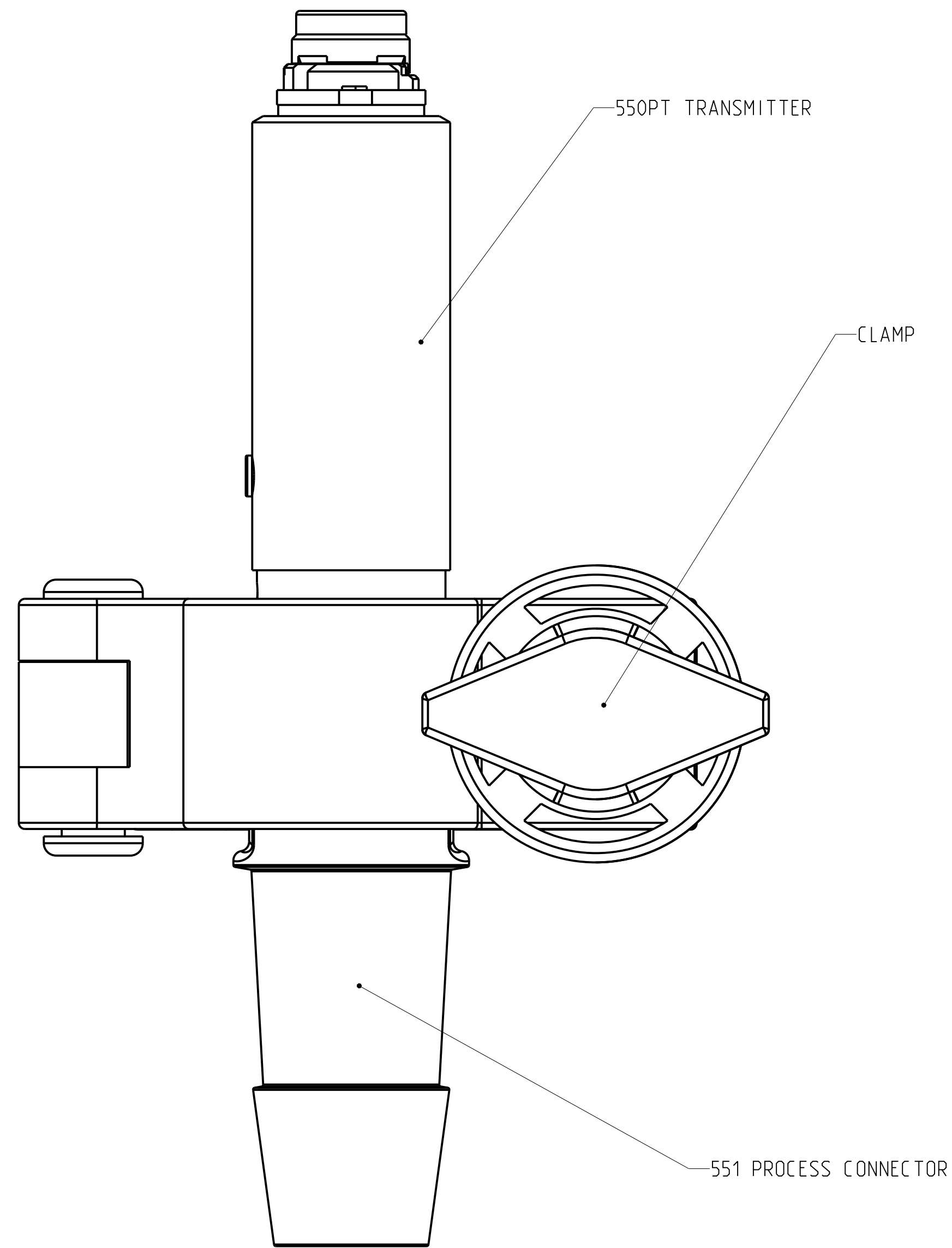
**EMERSON**

TITLE  
**ROSEMOUNT 550PT  
 TYPE I DRAWING**

DR. J.ARMSTRONG 5/27/20 DRAWING NO.  
 APP'D C.PRAUSE 5/27/20 **550PT-7000**

CAD MAINTAINED (PRO/E) SHEET 1 OF 2

ROSEMOUNT 550PT-551 AND CLAMP TRANSMITTER AND PROCESS CONNECTOR



©2015 ROSEMOUNT, INC. ALL RIGHTS RESERVED. THIS DRAWING IS THE PROPERTY OF ROSEMOUNT ENGINEERING SPECIFICATIONS. UNIT NOTES IN INCHES (mm).

REFERENCE ROSEMOUNT PRODUCT SPECIFICATIONS. CLICK HERE

EMERSON

3RD ANGLE

SIZE D

SCALE NTS

TITLE ROSEMOUNT 550PT TYPE I DRAWING

DR. J.ARMSTRONG 5/27/20 DRAWING NO. 550PT-7000

APP'D C.PRAUSE 5/27/20

CAD MAINTAINED. (PRO/E) SHEET 2 OF 2