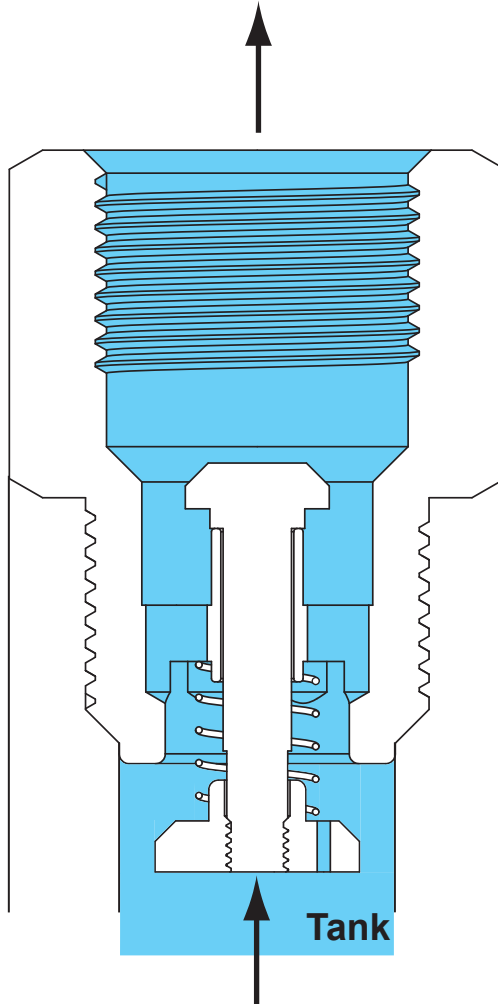
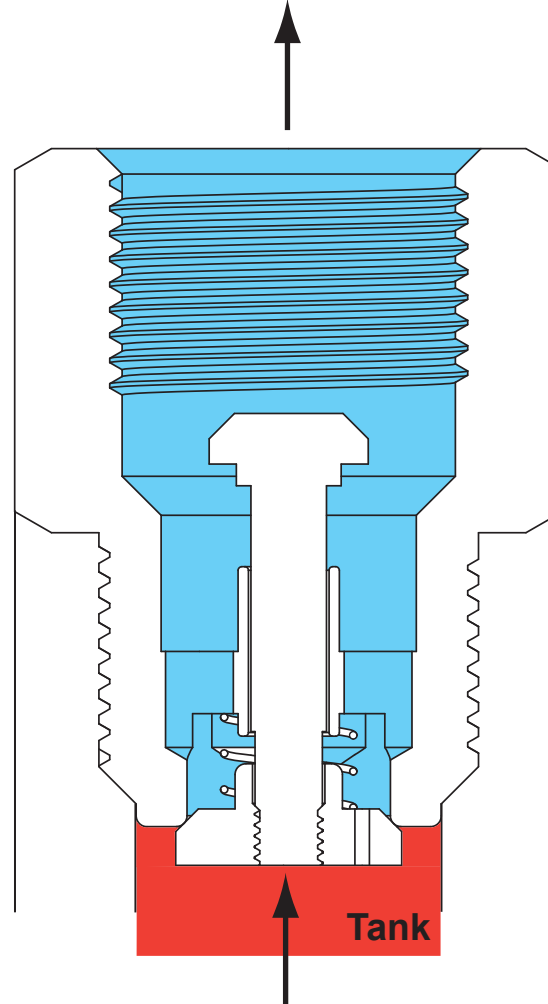


# Type F100 Tank Excess Flow Valve

Type F100 Open



Type F100 Closed



■ INLET PRESSURE  
■ OUTLET PRESSURE