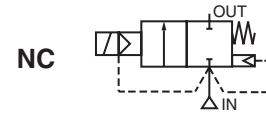




SOLENOID VALVES

pilot operated, floating piston
for hot water/steam applications
1 1/4 to 2



2/2
Series
220

FEATURES

- Small compact sized valves particularly designed for hot water and steam, compatible with the seal materials used
- Lightweight stamped steel pistons giving all-round support to resilient, tight seal discs
- Valves require a minimum operating pressure of 0,35 bar
- All products are covered by the Pressure Equipment Directive 2014/64/EU and are suitable for group 1 and 2 fluids
- The solenoid valves satisfy all relevant EU Directives

GENERAL

Differential pressure See «SPECIFICATIONS» [1 bar = 100 kPa]
Response time 40 - 120 ms

fluids (*)	temperature range (TS)	seal materials (*)
hot water, steam	- 20°C to + 150°C	EPDM (ethylene-propylene)
steam	- 20°C to + 184°C	PTFE

MATERIALS IN CONTACT WITH FLUID

(*) Ensure that the compatibility of the fluids in contact with the materials is verified

Body	Brass
Core tube	Stainless steel
Core and plugnut	Stainless steel
Springs	Stainless steel
Seat	Brass
Seals	EPDM
Discs	EPDM or PTFE
Shading coil	Copper

ELECTRICAL CHARACTERISTICS

Coil insulation class	F (EPDM disc) or H (PTFE disc)
Connector	Spade plug (cable Ø 6-10 mm)
Connector specification	ISO 4400 / EN 175301-803, form A
Electrical safety	IEC 335
Electrical enclosure protection	Moulded IP65 (EN 60529)
Standard voltages	DC (=) : 24V - 48V AC (~) : 24V - 48V - 115V - 230V / 50 Hz

(Other voltages and 60 Hz on request)

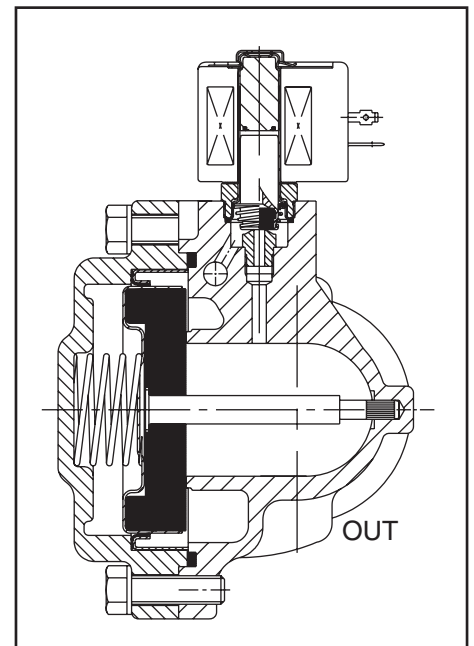
prefix option	power ratings				operator ambient temperature range (TS) (C°)	replacement coil		type ⁽¹⁾
	inrush ~	holding ~		hot/cold =		~	=	
	(VA)	(VA)	(W)	(W)		230 V/50 Hz	24 V DC	
SC	55	23	10,5	-	-20 to + 40	400425-117	-	01 (class F)
	44	20	10,5	-	-20 to + 40	400426-117	-	01 (class H)
	-	-	-	12/16,8	-20 to + 40	-	400625-142	02

⁽¹⁾ Refer to the dimensional drawings on the following page.

SPECIFICATIONS

pipe size	orifice size	flow coefficient Kv		operating pressure differential (bar)				max. fluid temp. (°C)		power coil (W)		catalogue number	
				min.	max. (PS)								
					steam (*)	water (*) ⁽²⁾							
Rp	(mm)	(m³/h)	(l/min)		~	=	~	=	~	=			
NC - Normally closed, EPDM disc													
1 1/4	28	12,8	213	0,35	3,5	3,5	10	10	150	150	10,5	16,8	SCE220-009
1 1/2	32	19,5	325	0,35	3,5	3,5	10	10	150	150	10,5	16,8	SCE220-011
2	44	37	617	0,35	3,5	3,5	10	10	150	150	10,5	16,8	SCE220-013
NC - Normally closed, PTFE disc													
1 1/4	28	12,8	213	0,35	10	-	10	-	184	-	10,5	-	SCE220-027
1 1/2	32	19,5	325	0,35	10	-	10	-	184	-	10,5	-	SCE220-029
2	44	37	617	0,35	10	-	10	-	184	-	10,5	-	SCE220-031

⁽²⁾ Water temperature should not exceed 100°C.



OPTIONS

- Waterproof enclosure with embedded screw terminal coil according to protection class IP67, CEE-10
- Compliance with “UL”, “CSA” and other local approvals available on request
- Coils according to “CSA/SA” standards
- Other pipe connections are available on request
- Plug with visual indication and peak voltage suppression or with cable length of 2 m (see Solenoids, Coils & Accessories section)

INSTALLATION

- The solenoid valves can be mounted in any position without affecting operation
- Pipe connection identifier is E = Rp (ISO 7/1)
- Installation/maintenance instructions are included with each valve

SPARE PARTS KIT & ACCESSORIES

catalogue number	spare parts kit no.	
	~	=
SCE220-009	C304394	C132651
SCE220-011	C304395	C132652
SCE220-013	C304943	C132653
SCE220-027	C304392	-
SCE220-029	C304393	-
SCE220-031	C306807	-

- Not available.

ORDERING EXAMPLES:

SC	E	220 - 011	230V / 50 Hz
SC	E	220 - 009	24V / DC
SC	E	220 - 027	115V / 50 Hz

prefix — pipe thread — basic number — voltage — suffix

ORDERING EXAMPLES KITS:

C304394	—	—	—
C304393	—	—	—

basic number — suffix

DIMENSIONS (mm), WEIGHT

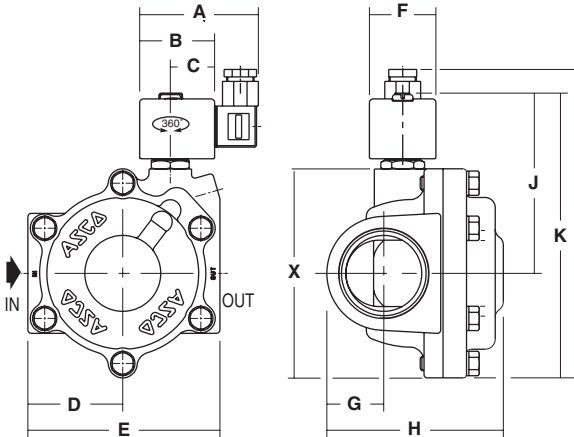


TYPE 01-02

Prefix “SC” Solenoid
Epoxy moulded
IEC 335 / ISO 4400
IP65

Type 01 (AC) : SCE220-009/011/013/027/029/031

Type 02 (DC) : SCE220-009/011/013



type	prefix option	catalogue number	A	B	C	D	E	F	G	H	J	K	L	X	weight ⁽¹⁾
01	SC	SCE220-009/027	80	50	30	46	93	45	29	89	106	147	162	98	2,1
		SCE220-011/029	80	50	30	55	111	45	33	104	110	160	175	111	2,8
		SCE220-013/031	80	50	30	64	129	45	38	119	120	190	205	141	4,6
02	SC	SCE220-009	86	56	33	46	93	50	29	89	96	137	152	80	2,2
		SCE220-011	86	56	33	55	111	50	33	104	100	150	165	93	2,9
		SCE220-013	86	56	33	64	129	50	38	119	110	180	195	123	4,7

⁽¹⁾ including coil and connector.