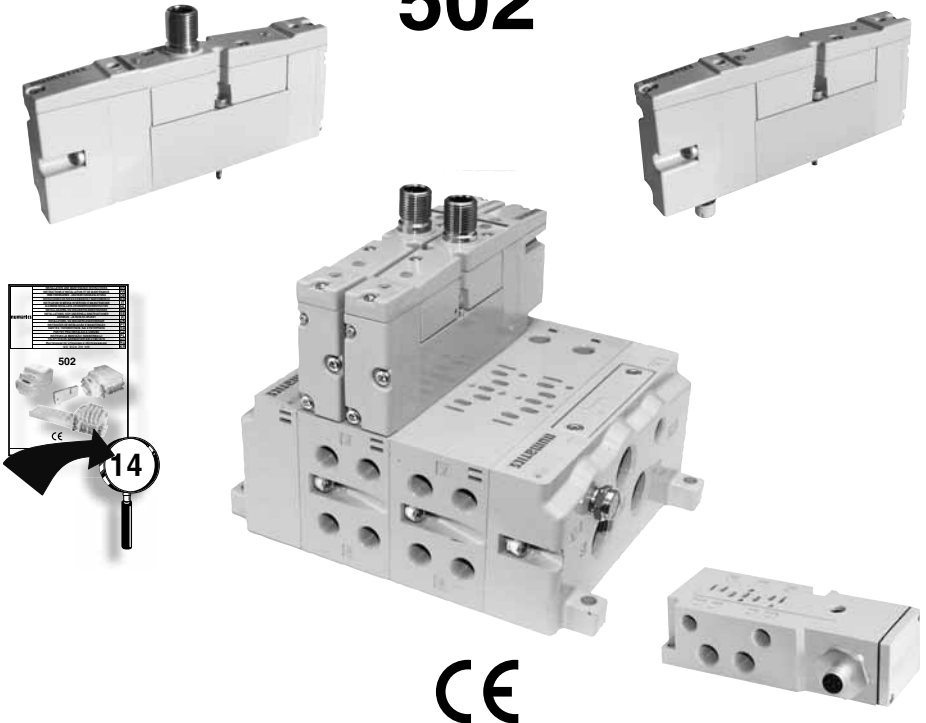


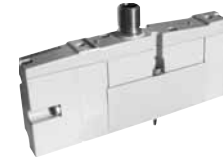
**ASCO  
numatics™**

|   |    |
|---|----|
| INSTALLATION AND MAINTENANCE INSTRUCTIONS         | EN |
| INSTRUCTIONS D'INSTALLATION ET DE MAINTENANCE     | FR |
| INBETRIEBNAHME - UND WARTUNGSANLEITUNG            | DE |
| INSTRUCCIONES DE PUESTA EN MARCHA Y MANTENIMIENTO | ES |
| ISTRUZIONI DI MESSA IN SERVIZIO E MANUTENZIONE    | IT |
| ALGEMENE INSTALLATIE- EN ONDERHOUDSINSTRUCTIES    | NL |
| INSTALLASJONS- OG VEDLIKEHOLDSINSTRUKSER          | NO |
| INSTALLATIONS- OCH UNDERHÅLLSINSTRUKTIONER        | SE |
| ASENNUS - JA HUOLTO-OHJEET                        | FI |
| INSTALLATIONS - OG VEDLIGEHOIDSANVISNINGER        | DK |
| INSTRUÇÕES DE INSTALAÇÃO E MANUTENÇÃO             | PT |
| ΟΔΗΓΙΕΣ ΤΟΠΟΘΕΤΗΣΗΣ ΚΑΙ ΣΥΝΤΗΡΗΣΗΣ                | GR |
| POKRYTY PRO INSTALACI A ÚDRŽBU                    | CZ |
| INSTRUKCJA MONTAŻU I KONSERWACJI                  | PL |
| TELEPÍTÉSI ÉS KARBANTARTÁSI ÚTMUTATÓ              | HU |
| Инструкция по установке и обслуживанию            | RU |
| 설치 및유지 관리 지침                                      | KR |

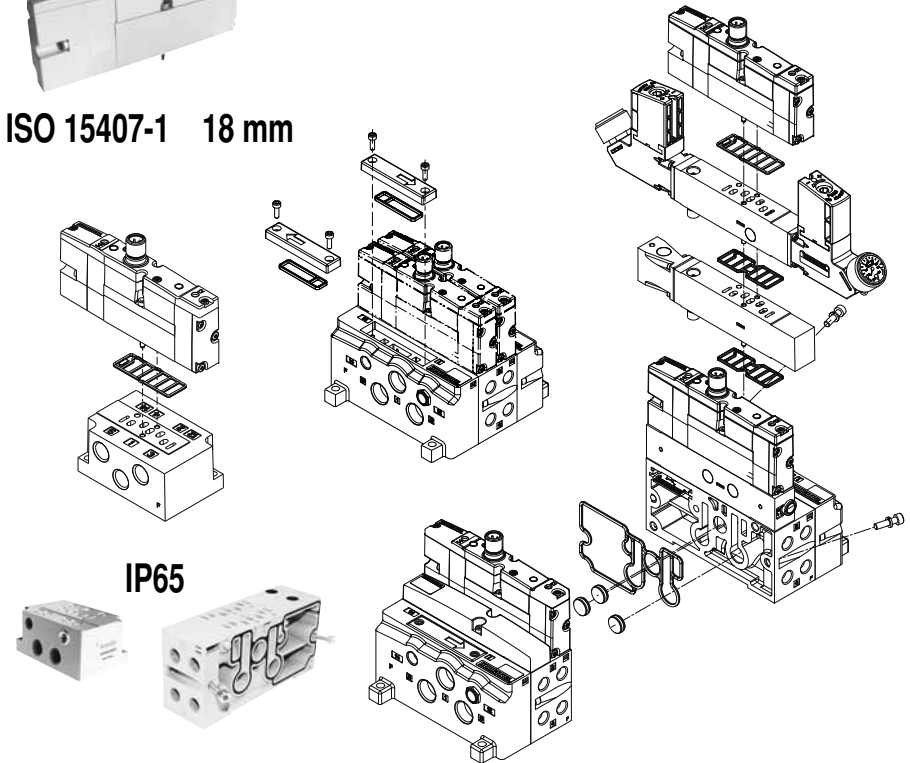
**502**



**ASCO  
numatics™**  
CE  
(24 V DC)



ISO 15407-1 18 mm



IP65


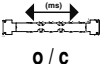

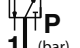



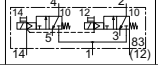

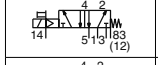
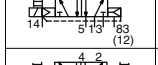
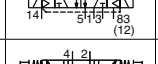
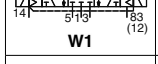

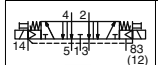
(24 V DC)

(24 V DC)

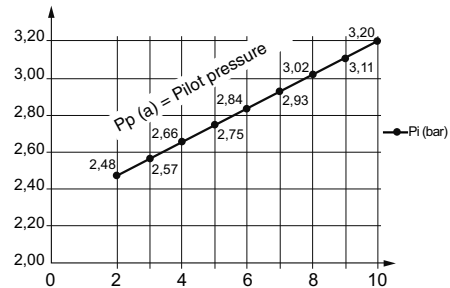



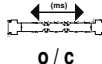

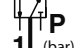


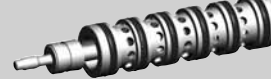
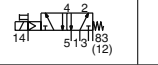
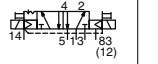

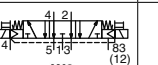
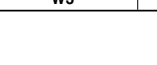
ISO 15407-2 18 mm

IP65

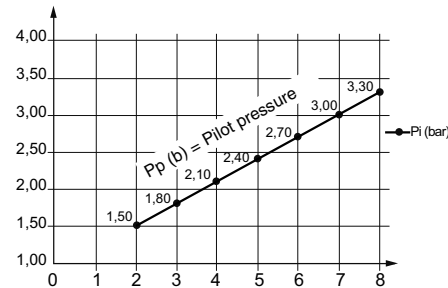
| ASCO<br>numatics™   | rated flow<br><br>l/min<br>6,3 bar<br>l/min (ANR) |            | <br>o / c<br>(ms) |  (23°C)<br>14 P <sub>p</sub> (bar) |  |  P (bar) |                   |       |      |
|---|--|------------|--|---|--|--|-------------------|-------|------|
|   | 1→2<br>1→4   | 2→3<br>4→5 |  | min.  | max.<br><br> | min.   | max.<br>(PS)<br>= |       |      |
| (14)<br>(12)  |  |            |  |   |  |  |                   |       |      |
|  (Rubber packed) |  |            |  |   |  |  |                   |       |      |
| <b>2 x 3/2<br/>NC</b>   |   | 500        | 440  | 42 / 22   | 3,5<br>(a)   | 10   | 8                 | 2     | 10/8 |
| <b>2 x 3/2<br/>NO</b>   |   | 500        | 440  | 17 / 27   | 3,5<br>(b)   | 10   | 8                 | 2     | 10/8 |
| <b>5/2</b>  |   | 500        | 470  | 21 / 36   | 3  | 10   | 8                 | -0,95 | 10/8 |
|   |   | 500        | 470  | 21 / 37   | 2,5  | 10   | 8                 | -0,95 | 10/8 |
|   |   | 500        | 470  | 15 / 15   | 2  | 10   | 8                 | -0,95 | 10/8 |
| <b>5/3</b>  |   | 500        | 460  | 18 / 21   | 3,5  | 10   | 8                 | -0,95 | 10/8 |
|   |   | 440        | 410  | 25 / 37   | 3,5  | 10   | 8                 | -0,95 | 10/8 |
|   |   | 440        | 420  | 32 / 24   | 3,5  | 10   | 8                 | -0,95 | 10/8 |


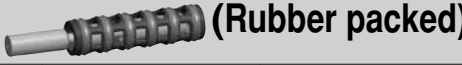
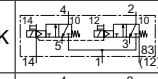


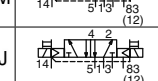
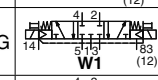

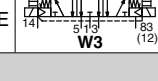



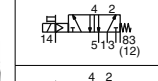



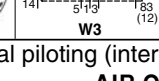

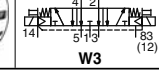


(a) NC - NC  
P<sub>p</sub> = 0,09 x P(1) + 2,3 bar



| ASCO<br>numatics™  | rated flow<br><br>l/min<br>6,3 bar<br>l/min (ANR) |            | <br>o / c<br>(ms) |  (23°C)<br>14 P <sub>p</sub> (bar) |  |  P (bar) |                   |       |      |
|--|--|------------|--|---|--|---|-------------------|-------|------|
|  | 1→2<br>1→4   | 2→3<br>4→5 |  | min.  | max.<br><br> | min.  | max.<br>(PS)<br>= |       |      |
| (14)<br>(12)   |  |            |  |   |  |   |                   |       |      |
|  (Spool & Sleeve) |  |            |  |   |  |   |                   |       |      |
| <b>5/2</b>   |   | 410        | 390  | 16 / 49   | 2  | 10  | 8                 | -0,95 | 10/8 |
|  |   | 410        | 390  | 12 / 12   | 2  | 10  | 8                 | -0,95 | 10/8 |
| <b>5/3</b>   |   | -          | -  | -   | 2  | 10  | 8                 | -0,95 | 10/8 |
|  |   | -          | -  | -   | 2  | 10  | 8                 | -0,95 | 10/8 |
|  |   | -          | -  | -   | 2  | 10  | 8                 | -0,95 | 10/8 |

(b) NO - NO  
P<sub>p</sub> = 0,30 x P(1) + 0,9 bar



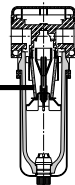
| ASCO<br>numatics™  |   | 15-DIGIT PRODUCT CODE  |  |  |
|--|---|---|--|--|
|  |   | with impulse manual operator<br>ISO 15407-1 26 mm   | with maintained manual operator<br>ISO 15407-1 26 mm | without manual operator<br>ISO 15407-1 26 mm |
| (14)<br>(12)   |   |   |  |  |
|  (Rubber packed)  |   |   |  |  |
| 2 x 3/2<br>NC  | K    | R502A2BD0N83BF1<br>(R502A2BD0N82PF1) (b)  | R502A2BD0N82MF1<br>(R502A2BD0N69PF1) (b)             | R502A2BD0N82NF1<br>(R502A2BD0N69NF1) (b)     |
| 2 x 3/2<br>NO  | N    | R502A2BA0N83BF1   | R502A2BA0N82MF1                                      | R502A2BA0N82NF1                              |
| 5/2  | S    | R502A2B10N83BF1<br>(R502A2B10N82PF1) (b)  | R502A2B10N82MF1<br>(R502A2B10N69PF1) (b)             | R502A2B10N82NF1<br>(R502A2B10N69NF1) (b)     |
|  | M    | R502A2BN0N83BF1   | R502A2BN0N82MF1                                      | R502A2BN0N82NF1                              |
|  | J    | R502A2B40N83BF1<br>(R502A2B40N82PF1) (b)  | R502A2B40N82MF1<br>(R502A2B40N69PF1) (b)             | R502A2B40N82NF1<br>(R502A2B40N69NF1) (b)     |
| 5/3  | G    | R502A2B60N83BF1<br>(R502A2B60N82PF1) (b)  | R502A2B60N82MF1<br>(R502A2B60N69PF1) (b)             | R502A2B60N82NF1<br>(R502A2B60N69NF1) (b)     |
|  | B    | R502A2B70N83BF1<br>(R502A2B70N82PF1) (b)  | R502A2B70N82MF1<br>(R502A2B70N69PF1) (b)             | R502A2B70N82NF1<br>(R502A2B70N69NF1) (b)     |
|  | E    | R502A2B50N83BF1<br>(R502A2B50N82PF1) (b)  | R502A2B50N82MF1<br>(R502A2B50N69PF1) (b)             | R502A2B50N82NF1<br>(R502A2B50N69NF1) (b)     |
|  (Spool & Sleeve) |   |   |  |  |
| 5/2  |    | R502A1B10N83BF1<br>(R502A1B10N82PF1) (b)  | R502A1B10N82MF1<br>(R502A1B10N69PF1) (b)             | R502A1B10N82NF1<br>(R502A1B10N69NF1) (b)     |
|  |   | R502A1B40N83BF1<br>(R502A1B40N82PF1) (b)  | R502A1B40N82MF1<br>(R502A1B40N69PF1) (b)             | R502A1B40N82NF1<br>(R502A1B40N69NF1) (b)     |
| 5/3  |   | R502A1B70N83BF1<br>(R502A1B70N82PF1) (b)  | R502A1B70N82MF1<br>(R502A1B70N69PF1) (b)             | R502A1B70N82NF1<br>(R502A1B70N69NF1) (b)     |
|  |   | R502A1B50N83BF1<br>(R502A1B50N82PF1) (b)  | R502A1B50N82MF1<br>(R502A1B50N69PF1) (b)             | R502A1B50N82NF1<br>(R502A1B50N69NF1) (b)     |
|  |   |   |  |  |


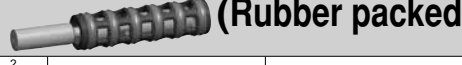
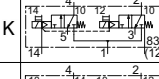


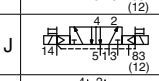
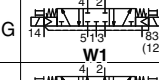

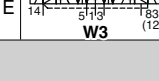



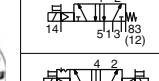
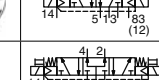

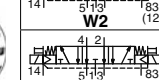
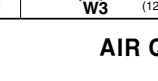

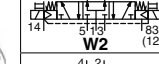


(b) Internal piloting (internal supply).

AIR QUALITY [ ISO 8573-1 (2010) ]: Level 7.4.4



40 μm ↔ 5 μm

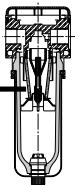


| ASCO<br>numatics™  |   | 15-DIGIT PRODUCT CODE  |  |  |
|--|---|---|--|--|
|  |   | with impulse manual operator<br>ISO 15407-2 26 mm   | with maintained manual operator<br>ISO 15407-2 26 mm | without manual operator<br>ISO 15407-2 26 mm |
| (14)<br>(12)   |   |   |  |  |
|  (Rubber packed)  |   |   |  |  |
| 2 x 3/2<br>NC  | K    | R502A2BD0MA00F1   | R502A2BD0M11BF1                                      | R502A2BD0M11MF1                              |
| 2 x 3/2<br>NO  | N    | R502A2BA0MA00F1   | R502A2BA0M11BF1                                      | R502A2BA0M11MF1                              |
| 5/2  | S    | R502A2B10MA00F1   | R502A2B10M11BF1                                      | R502A2B10M11MF1                              |
|  | M    | R502A2BN0MA00F1   | R502A2BN0M11BF1                                      | R502A2BN0M11MF1                              |
|  | J    | R502A2B40MA00F1   | R502A2B40M11BF1                                      | R502A2B40M11MF1                              |
| 5/3  | G    | R502A2B60MA00F1   | R502A2B60M11BF1                                      | R502A2B60M11MF1                              |
|  | B    | R502A2B70MA00F1   | R502A2B70M11BF1                                      | R502A2B70M11MF1                              |
|  | E    | R502A2B50MA00F1   | R502A2B50M11BF1                                      | R502A2B50M11MF1                              |
|  (Spool & Sleeve) |   |   |  |  |
| 5/2  |    | R502A1B10MA00F1   | R502A1B10M11BF1                                      | R502A1B10M11MF1                              |
|  |   | R502A1B40MA00F1   | R502A1B40M11BF1                                      | R502A1B40M11MF1                              |
| 5/3  |   | R502A1B70MA00F1   | R502A1B70M11BF1                                      | R502A1B70M11MF1                              |
|  |   | R502A1B50MA00F1   | R502A1B50M11BF1                                      | R502A1B50M11MF1                              |
|  |   |   |  |  |

AIR QUALITY [ ISO 8573-1 (2010) ]: Level 7.4.4



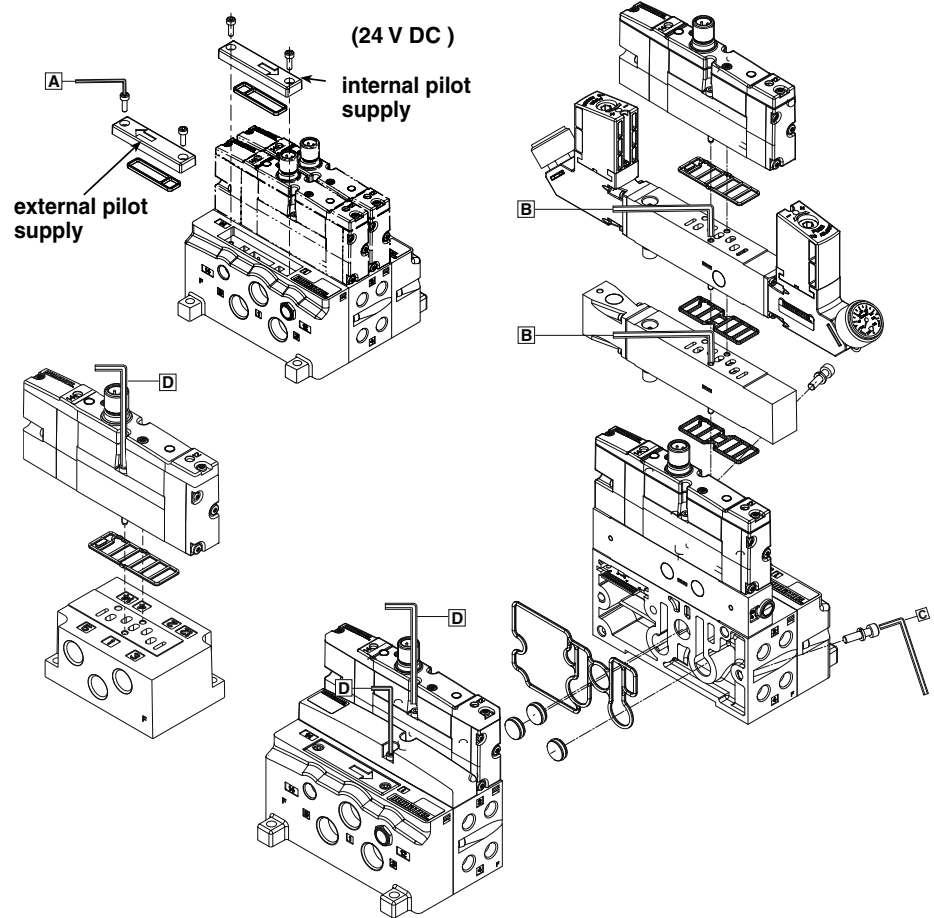
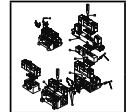
40 μm ↔ 5 μm





|                                    |  |  |  |
|------------------------------------|--|--|--|
|                                    |  |  |  |
| <p><b>G502AA3A20A0030</b></p>      |  | <p>1-2-3-4-5 = 5 x G 3/8<br/>12 = G 1/8</p>                      |  |
| <p><b>US ▶ 8502AA3A20A0030</b></p> |  | <p>1-2-3-4-5 = 5 x NPT 3/8<br/>12 = NPT 1/8</p>                  |  |
| <p><b>G502AA3A2014X30</b></p>      |  | <p>1-2-3-4-5 = 5 x G 3/8<br/>12 = G 1/8<br/>14 = G 1/8</p>       |  |
| <p><b>US ▶ 8502AA3A2014X30</b></p> |  | <p>1-2-3-4-5 = 5 x NPT 3/8<br/>12 = NPT 1/8<br/>14 = NPT 1/8</p> |  |

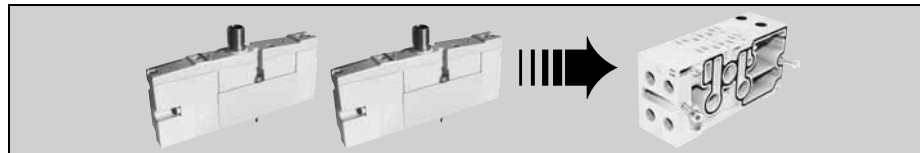
|                                    |  |  |  |
|------------------------------------|--|--|--|
|                                    |  |  |  |
| <p><b>G502AA3A2M56Y20</b></p>      |  | <p>1-2-3-4-5 = 5 x G 3/8<br/>12 = G 1/8</p>                      |  |
| <p><b>US ▶ 8502AA3A2M56Y20</b></p> |  | <p>1-2-3-4-5 = 5 x NPT 3/8<br/>12 = NPT 1/8</p>                  |  |
| <p><b>G502AA3A2M59W20</b></p>      |  | <p>1-2-3-4-5 = 5 x G 3/8<br/>12 = G 1/8<br/>14 = G 1/8</p>       |  |
| <p><b>US ▶ 8502AA3A2M59W20</b></p> |  | <p>1-2-3-4-5 = 5 x NPT 3/8<br/>12 = NPT 1/8<br/>14 = NPT 1/8</p> |  |



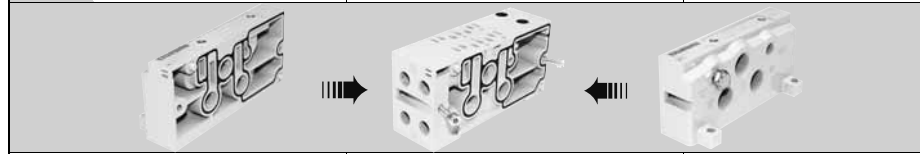
| items    | N.m      | Inch.pounds |
|----------|----------|-------------|
| <b>A</b> | 2 ±10%   | 17.7 ±1.8   |
| <b>B</b> | 1.2 ±10% | 10.6 ±1.1   |
| <b>C</b> | 4.6 ±10% | 40.7 ±4.1   |
| <b>D</b> | 2 ±10%   | 17.7 ±1.8   |

**numatics**

502



|           |                        |             |  |  |
|-----------|------------------------|-------------|--|--|
|           | <b>G502AMV210A0030</b> | 4 x G 1/8   |  |  |
| <b>US</b> | <b>8502AMV210A0030</b> | 4 x NPT 1/8 |  |  |



|           |                        |  |  |
|-----------|------------------------|--|--|
|           | <b>G502AK431478004</b> | 3 x G 3/8 (1/3/5)<br>2 x G 1/8 (12/14)     |  |
| <b>US</b> | <b>8502AK431478001</b> | 3 x NPT 3/8 (1/3/5)<br>2 x NPT 1/8 (12/14) |  |

|                        |  |  |
|------------------------|--|--|
| <b>P502AB431813001</b> |  |  |
|------------------------|--|--|

|                        |  |   |  |   |         |
|------------------------|--|---|--|---|---------|
| <b>P502AD431914001</b> |  | + |  | • | 1       |
| <b>P502AD431914002</b> |  | + |  | • | 3       |
| <b>P502AD431914003</b> |  | + |  | • | 5       |
| <b>P502AD431914004</b> |  | + |  | • | 1, 3    |
| <b>P502AD431914005</b> |  | + |  | • | 1, 5    |
| <b>P502AD431914006</b> |  | + |  | • | 3, 5    |
| <b>P502AD431914007</b> |  | + |  | • | 1, 3, 5 |

**numatics**

502

**ISO 15407-1**



|  |                        |  |
|--|------------------------|--|
|  | <b>R502AY506752001</b> |  |
|--|------------------------|--|

|             |  |                        |  |
|-------------|--|------------------------|--|
| <b>G1/4</b> |  | <b>G502AW506753002</b> |  |
|-------------|--|------------------------|--|

|             |  |                        |  |
|-------------|--|------------------------|--|
| <b>G1/4</b> |  | <b>G502AX506753001</b> |  |
|-------------|--|------------------------|--|

|  |                        |  |
|--|------------------------|--|
|  | <b>R502AS506755001</b> |  |
|--|------------------------|--|

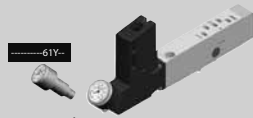
**numatics**

502

0,7 .. 9 bar



0,7 .. 9 bar  
ISO 15407-1



|                 |    |                 |  |  |
|-----------------|----|-----------------|--|--|
| R502ARS120A0030 | RS |                 |  |  |
| R502ARS12061Y30 |    | ...RS...A00.    |  |  |
|                 |    |                 |  |  |
| R502ARD12016P30 | RD |                 |  |  |
| R502ARD12063L30 |    |                 |  |  |
| R502ARD12016N30 |    |                 |  |  |
| R502ARD12063M30 |    | .....RD...16P.. |  |  |
| R502ARD120A0030 |    | .....RD...16N.. |  |  |
| R502ARD12061Y30 |    | .....RD...A00.. |  |  |
| R502ARE12016P00 | RE |                 |  |  |
| R502ARE12063L00 |    |                 |  |  |
| R502ARE12016N00 |    |                 |  |  |
| R502ARE12063M00 |    | .....RE...16P.. |  |  |
| R502ARE120A0000 |    | .....RE...16N.. |  |  |
| R502ARE12061Y00 |    | .....RE...A00.. |  |  |
| R502ART12016P30 | RT |                 |  |  |
| R502ART12063L30 |    |                 |  |  |
| R502ART12016N30 |    |                 |  |  |
| R502ART12063M30 |    | .....RT...16P.. |  |  |
| R502ART120A0030 |    | .....RT...16N.. |  |  |
| R502ART12061Y30 |    | .....RT...A00.. |  |  |

**numatics**

502

10 .. 130 psig



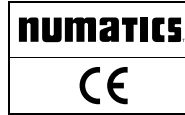
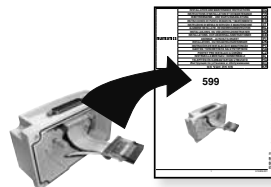
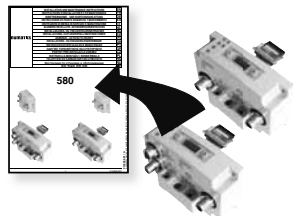
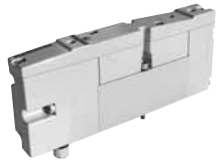
PSIG ► 10 .. 130 psig  
ISO 15407-1



|                 |    |                 |  |  |
|-----------------|----|-----------------|--|--|
| R502ARS110A0030 | RS |                 |  |  |
| R502ARS11061Y30 |    | ...RS...A00.    |  |  |
|                 |    |                 |  |  |
| R502ARD11016P30 | RD |                 |  |  |
| R502ARD11063L30 |    |                 |  |  |
| R502ARD11016N30 |    |                 |  |  |
| R502ARD11063M30 |    | .....RD...16P.. |  |  |
| R502ARD110A0030 |    | .....RD...16N.. |  |  |
| R502ARD11061Y30 |    | .....RD...A00.. |  |  |
| R502ARE11016N30 | RE |                 |  |  |
| R502ARE11063L00 |    |                 |  |  |
| R502ARE11016N00 |    |                 |  |  |
| R502ARE11063M00 |    | .....RE...16P.. |  |  |
| R502ARE110A0000 |    | .....RE...16N.. |  |  |
| R502ARE11061Y00 |    | .....RE...A00.. |  |  |
| R502ART110A0030 | RT |                 |  |  |
| R502ART11063L30 |    |                 |  |  |
| R502ART11016N30 |    |                 |  |  |
| R502ART11063M30 |    | .....RT...16P.. |  |  |
| R502ART110A0030 |    | .....RT...16N.. |  |  |
| R502ART11061Y30 |    | .....RT...A00.. |  |  |

|  |   |    |
|--|---|----|
| <b>numatics</b>                        | INSTALLATION AND MAINTENANCE INSTRUCTIONS         | EN |
|  | INSTRUCTIONS D'INSTALLATION ET DE MAINTENANCE     | FR |
|  | INBETRIEBNAHME - UND WARTUNGSANLEITUNG            | DE |
|  | INSTRUCCIONES DE PUESTA EN MARCHA Y MANTENIMIENTO | ES |
|  | ISTRUZIONI DI MESSA IN SERVIZIO E MANUTENZIONE    | IT |
|  | ALGEMENE INSTALLATIE- EN ONDERHOUDSINSTRUCTIES    | NL |
|  | INSTALLASJONS- OG VEDLIKEHOLDSINSTRUKSER          | NO |
|  | INSTALLATIONS- OCH UNDERHÅLLSINSTRUKTIONER        | SE |
|  | ASENNUS - JA HUOLTO-OHJEET                        | FI |
|  | INSTALLATIONS - OG VEDLIGEHOLDSANVISNINGER        | DK |
|  | INSTRUÇÕES DE INSTALAÇÃO E MANUTENÇÃO             | PT |
|  | ΟΔΗΓΙΕΣ ΤΟΠΟΘΕΤΗΣΗΣ ΚΑΙ ΣΥΝΤΗΡΗΣΗΣ                | GR |
|  | POKRYNY PRO INSTALACI A ÚDRŽBU                    | CZ |
| INSTRUKCJA MONTAŻU I KONSERWACJI       | PL  |    |
| TELEPÍTÉSI ÉS KARBANTARTÁSI ÚTMUTATÓ   | HU  |    |
| Инструкция по установке и обслуживанию | RU  |    |
| 설치 및유지 관리 지침                           | KR  |    |

# 502



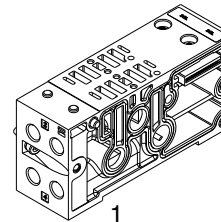
(24 V DC)



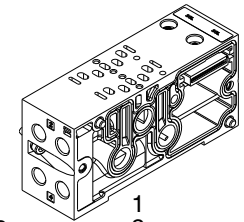
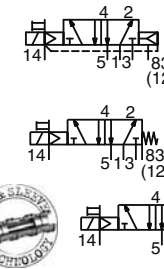
High flow

ISO 15407-2 / 18mm

SGL

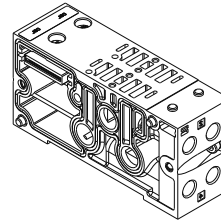


8 G 502AM**S2**GMA0010  
K F H

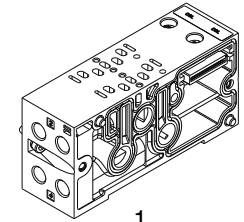
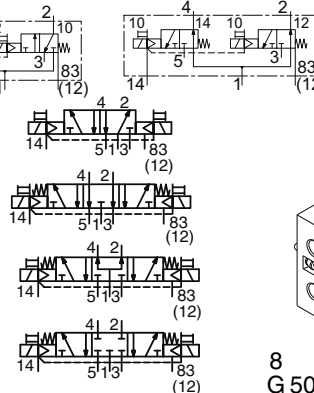


8 G 502AM**S2**GMA0020  
K F H

DBL

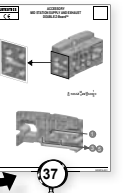


8 G 502AM**M2**GMA0010  
K F H



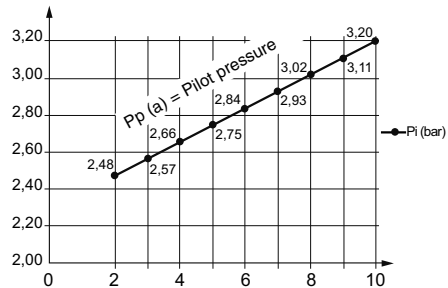
8 G 502AM**M2**GMA0020  
K F H

Accessory Z-board™ Mid station supply

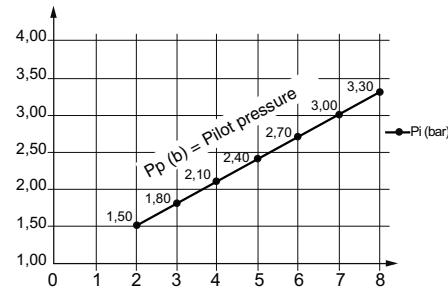


| numatics        | rated flow |             | o / c   | 14 P <sub>p</sub> (bar) | 1 P (bar) | max. (PS) |      |           |      |
|-----------------|------------|-------------|---------|-------------------------|-----------|-----------|------|-----------|------|
|                 | l/min      | l/min (ANR) |         |                         |           |           |      |           |      |
| (14)<br>(12)    |            |             | 6,3 bar | 6,3 bar                 | o / c     | min.      | min. | max. (PS) | =    |
| (Rubber packed) |            |             |         |                         |           |           |      |           |      |
| 2 x 3/2 NC      |            | High flow   | 650     | 600                     | 42 / 22   | 3,5 (a)   | 8    | 2         | 10/8 |
|                 |            | ISO         | 500     | 440                     |           |           |      |           |      |
| 2 x 3/2 NO      |            | High flow   | 640     | 610                     | 17 / 27   | 3,5 (b)   | 8    | 2         | 10/8 |
|                 |            | ISO         | 500     | 440                     |           |           |      |           |      |
| 5/2             |            | High flow   | 625     | 695                     | 21 / 36   | 2,5       | 8    | -0,95     | 10/8 |
|                 |            | ISO         | 500     | 470                     |           |           |      |           |      |
|                 |            | High flow   | 625     | 695                     | 21 / 37   | 3         | 8    | -0,95     | 10/8 |
|                 |            | ISO         | 500     | 470                     |           |           |      |           |      |
|                 |            | High flow   | 625     | 695                     | 15 / 15   | 2         | 8    | -0,95     | 10/8 |
|                 |            | ISO         | 500     | 470                     |           |           |      |           |      |
| 5/3             |            | High flow   | 590     | 660                     | 18 / 21   | 3,5       | 8    | -0,95     | 10/8 |
|                 |            | ISO         | 500     | 460                     |           |           |      |           |      |
|                 |            | High flow   | 540     | 530                     | 25 / 37   | 3,5       | 8    | -0,95     | 10/8 |
|                 |            | ISO         | 440     | 410                     |           |           |      |           |      |
|                 |            | High flow   | 500     | 550                     | 32 / 24   | 3,5       | 8    | -0,95     | 10/8 |
|                 |            | ISO         | 440     | 420                     |           |           |      |           |      |

(a) NC - NC  
P<sub>p</sub> = 0,09 x P(1) + 2,3 bar


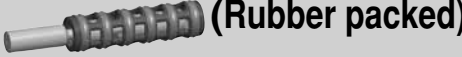
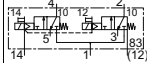

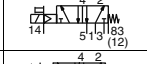
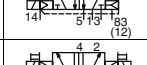
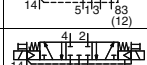
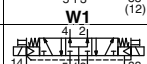
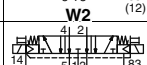
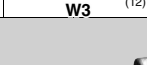


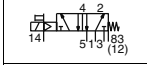
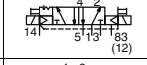

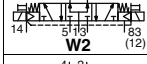
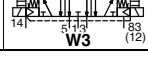
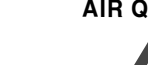


(b) NO - NO  
P<sub>p</sub> = 0,30 x P(1) + 0,9 bar



| numatics         | rated flow |             | o / c   | 14 P <sub>p</sub> (bar) | 1 P (bar) | max. (PS) |      |           |      |
|------------------|------------|-------------|---------|-------------------------|-----------|-----------|------|-----------|------|
|                  | l/min      | l/min (ANR) |         |                         |           |           |      |           |      |
| (14)<br>(12)     |            |             | 6,3 bar | 6,3 bar                 | o / c     | min.      | min. | max. (PS) | =    |
| (Spool & Sleeve) |            |             |         |                         |           |           |      |           |      |
| 5/2              |            | High flow   | 470     | 530                     | 16 / 49   | 2         | 8    | -0,95     | 10/8 |
|                  |            | ISO         | 410     | 390                     |           |           |      |           |      |
| 5/3              |            | High flow   | -       | -                       | -         | 2         | 8    | -0,95     | 10/8 |
|                  |            | ISO         | -       | -                       |           |           |      |           |      |
| 5/3              |            | High flow   | -       | -                       | -         | 2         | 8    | -0,95     | 10/8 |
|                  |            | ISO         | -       | -                       |           |           |      |           |      |
| 5/3              |            | High flow   | -       | -                       | -         | 2         | 8    | -0,95     | 10/8 |
|                  |            | ISO         | -       | -                       |           |           |      |           |      |

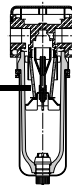


|                 |   |   |                                 |                         |                 |
|-----------------|---|---|---------------------------------|-------------------------|-----------------|
| <b>numatics</b> |   | 15-DIGIT PRODUCT CODE  |                                 |                         |                 |
|                 |   | with impulse manual operator  | with maintained manual operator | without manual operator |                 |
| (14)<br>(12)    |   |  (Rubber packed)       |                                 |                         |                 |
| 2 x 3/2 NC      | K   |                        | R502A2BD0MA00F1                 | R502A2BD0M11BF1         | R502A2BD0M11MF1 |
| 2 x 3/2 NO      | N   |                        | R502A2BA0MA00F1                 | R502A2BA0M11BF1         | R502A2BA0M11MF1 |
| 5/2             | S   |                        | R502A2B10MA00F1                 | R502A2B10M11BF1         | R502A2B10M11MF1 |
|                 | M   |                        | R502A2BN0MA00F1                 | R502A2BN0M11BF1         | R502A2BN0M11MF1 |
|                 | J   |                        | R502A2B40MA00F1                 | R502A2B40M11BF1         | R502A2B40M11MF1 |
| 5/3             | G   |                        | R502A2B60MA00F1                 | R502A2B60M11BF1         | R502A2B60M11MF1 |
|                 | B   |                        | R502A2B70MA00F1                 | R502A2B70M11BF1         | R502A2B70M11MF1 |
|                 | E   |                        | R502A2B50MA00F1                 | R502A2B50M11BF1         | R502A2B50M11MF1 |
|                 |   |  (Spool & Sleeve)      |                                 |                         |                 |
| 5/2             |  |                       | R502A1B10MA00F1                 | R502A1B10M11BF1         | R502A1B10M11MF1 |
|                 |   |                      | R502A1B40MA00F1                 | R502A1B40M11BF1         | R502A1B40M11MF1 |
| 5/3             |  |                      | R502A1B70MA00F1                 | R502A1B70M11BF1         | R502A1B70M11MF1 |
|                 |   |                      | R502A1B50MA00F1                 | R502A1B50M11BF1         | R502A1B0M11MF1  |
|                 |   |                      |                                 |                         |                 |

AIR QUALITY [ ISO 8573-1 (2010) ]: Level 7.4.4

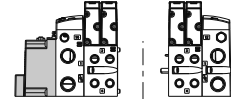


40 μm ↔ 5 μm

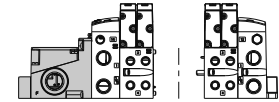


**numatics**  
502

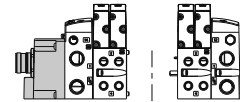
25 Pin Sub-D:  
SGL = 22 max. / DBL = 11 max.  
37 Pin Sub-D:  
SGL = 32 max. / DBL = 16 max.



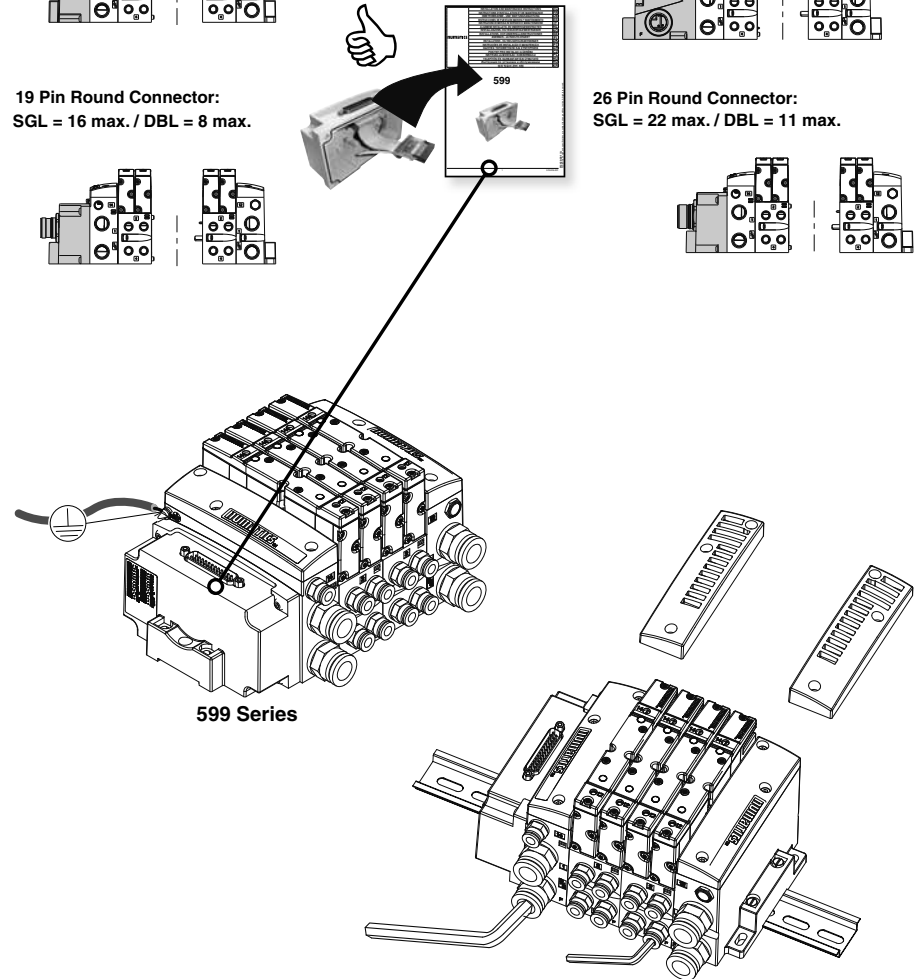
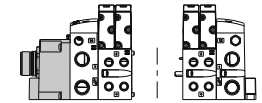
1-32 Terminal Strip:  
SGL = 32 max. / DBL = 16 max.



19 Pin Round Connector:  
SGL = 16 max. / DBL = 8 max.

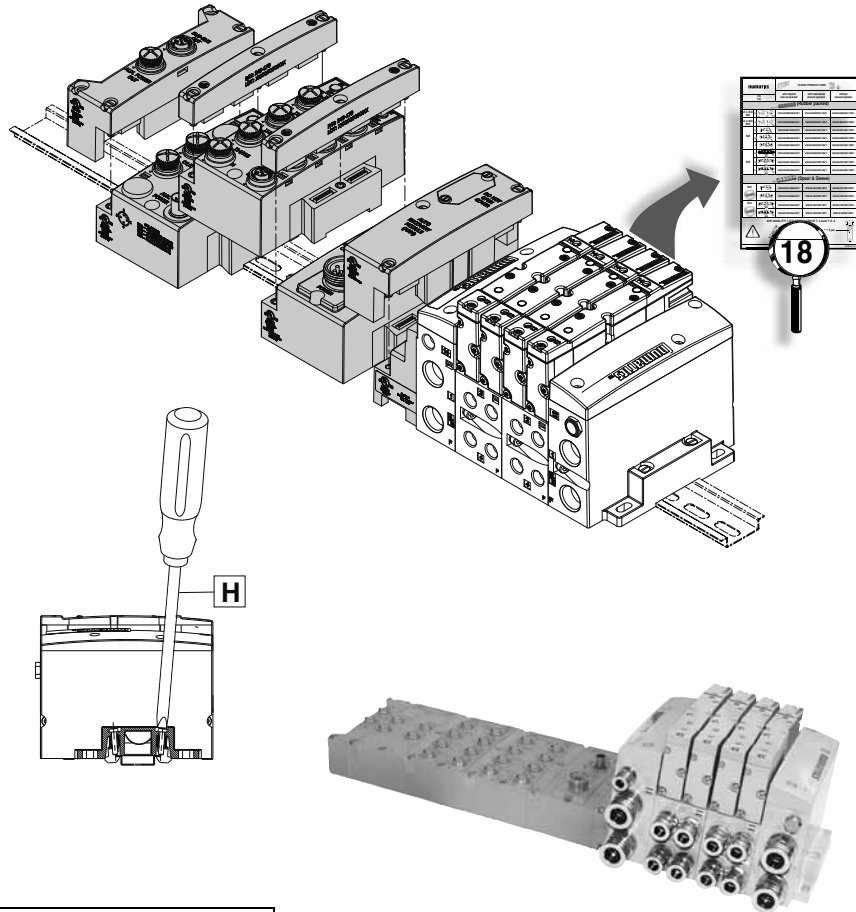
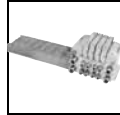


26 Pin Round Connector:  
SGL = 22 max. / DBL = 11 max.



**numatics**  
502

G3 → 502



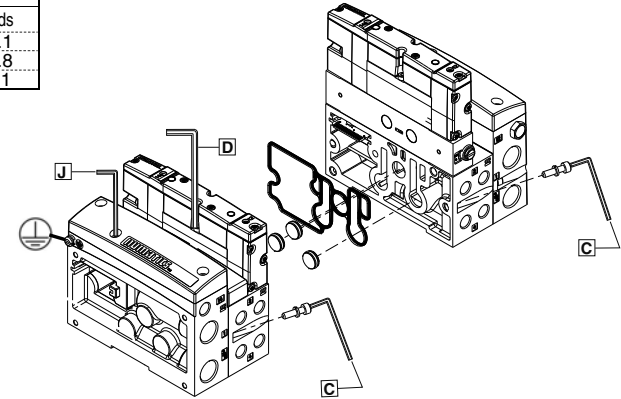
| ITEM | DESCRIPTION    | QTY | UNIT |
|------|----------------|-----|------|
| 18   | Terminal Block | 1   | EA   |

| items | N.m  | Inch.pounds |
|-------|------|-------------|
| H     | 2.65 | 23.4        |

**numatics**  
502



| items | N.m      | Inch.pounds |
|-------|----------|-------------|
| C     | 4.6 ±10% | 40.7 ± 4.1  |
| D     | 2.0 ±10% | 17.7 ± 1.8  |
| J     | 2.4 ±10% | 21.0 ± 2.1  |



|                               |  |                                    |
|-------------------------------|--|------------------------------------|
| <p><b>P502AB431813001</b></p> |  | <p>(4) (12)(5) (1) (9)(14) (2)</p> |
|-------------------------------|--|------------------------------------|

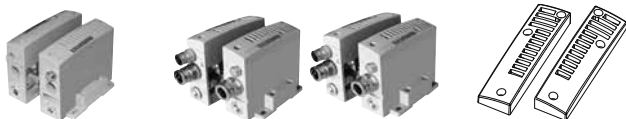
|                        |  |   |  |   |         |
|------------------------|--|---|--|---|---------|
| <b>P502AD431914001</b> |  | + |  | • | 1       |
| <b>P502AD431914002</b> |  | + |  | • | 3       |
| <b>P502AD431914003</b> |  | + |  | • | 5       |
| <b>P502AD431914004</b> |  | + |  | • | 1, 3    |
| <b>P502AD431914005</b> |  | + |  | • | 1, 5    |
| <b>P502AD431914006</b> |  | + |  | • | 3, 5    |
| <b>P502AD431914007</b> |  | + |  | • | 1, 3, 5 |

**numatics**

502



|  |  |  |                        |  |
|--|--|--|------------------------|--|
|  |  |  |                        |  |
|  |  |  | <b>G502AK431477013</b> |  |
|  |  |  | <b>K502AK431477015</b> |  |
|  |  |  | <b>K502AK431477017</b> |  |
|  |  |  | <b>G502AK431477014</b> |  |
|  |  |  | <b>K502AK431477016</b> |  |
|  |  |  | <b>K502AK431477018</b> |  |



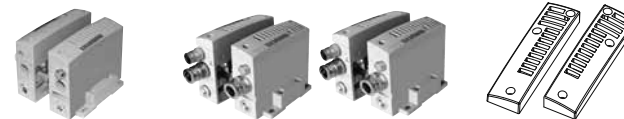
|  |  |  |                        |  |
|--|--|--|------------------------|--|
|  |  |  | <b>G502AK431477019</b> |  |
|  |  |  | <b>K502AK431477021</b> |  |
|  |  |  | <b>K502AK431477023</b> |  |
|  |  |  | <b>G502AK431477020</b> |  |
|  |  |  | <b>K502AK431477022</b> |  |
|  |  |  | <b>K502AK431477024</b> |  |

**numatics**

502

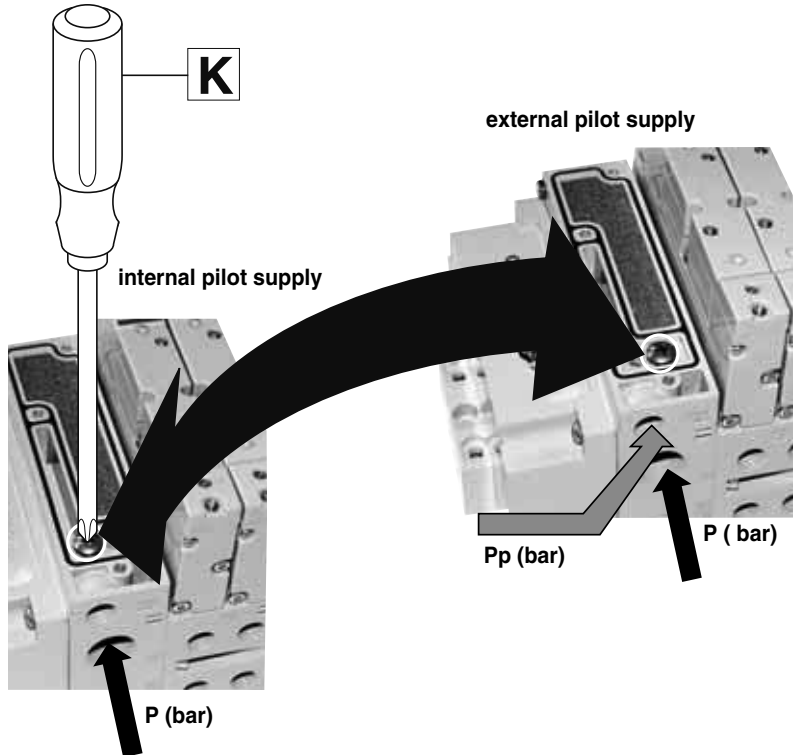
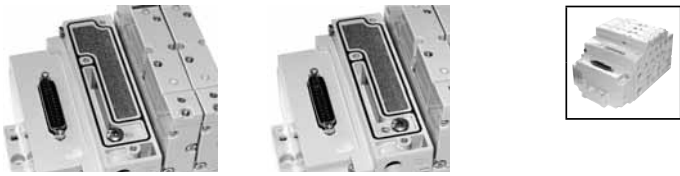


|  |  |  |                        |  |
|--|--|--|------------------------|--|
|  |  |  |                        |  |
|  |  |  | <b>8502AK431477001</b> |  |
|  |  |  | <b>8502AK431477005</b> |  |
|  |  |  | <b>8502AK431477003</b> |  |
|  |  |  | <b>8502AK431477002</b> |  |
|  |  |  | <b>8502AK431477006</b> |  |
|  |  |  | <b>8502AK431477004</b> |  |



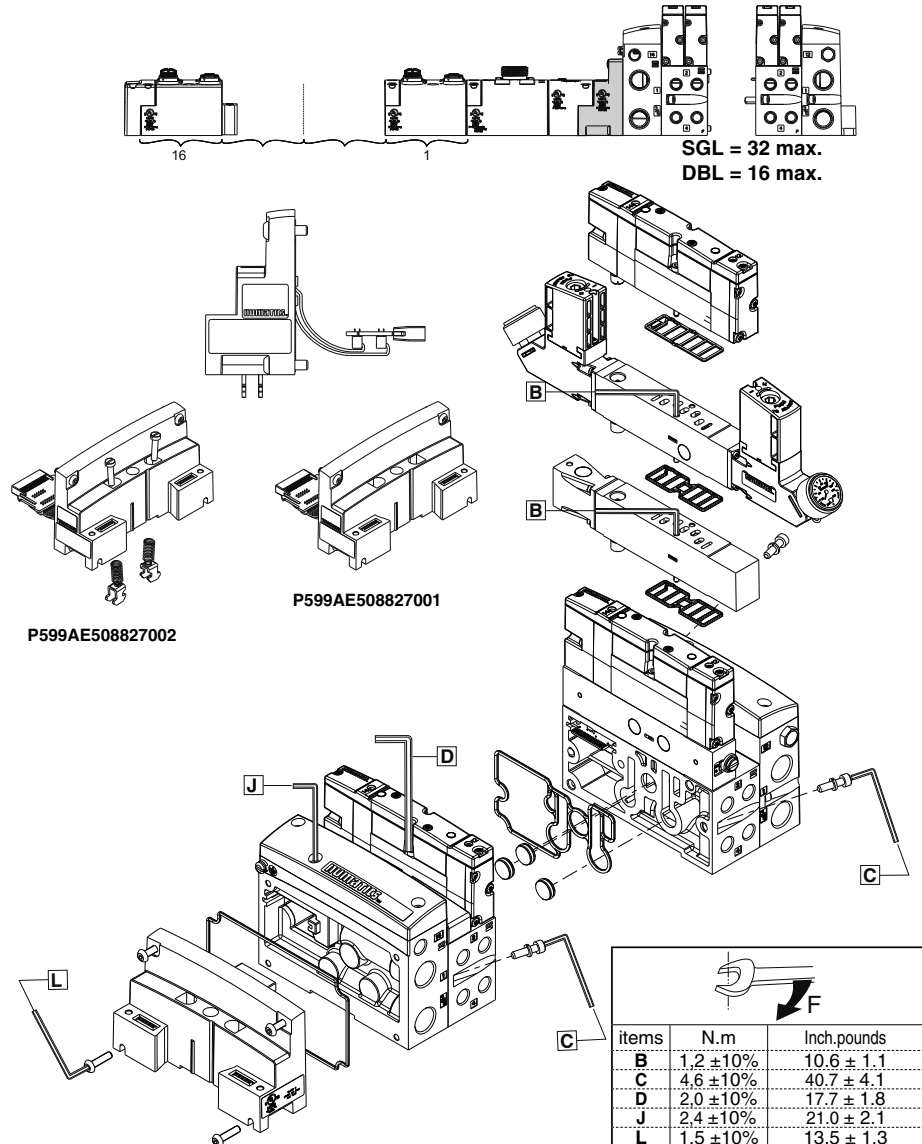
|  |  |  |                        |  |
|--|--|--|------------------------|--|
|  |  |  | <b>8502AK431477007</b> |  |
|  |  |  | <b>8502AK431477011</b> |  |
|  |  |  | <b>8502AK431477009</b> |  |
|  |  |  | <b>8502AK431477008</b> |  |
|  |  |  | <b>8502AK431477012</b> |  |
|  |  |  | <b>8502AK431477010</b> |  |

**numatics**  
502



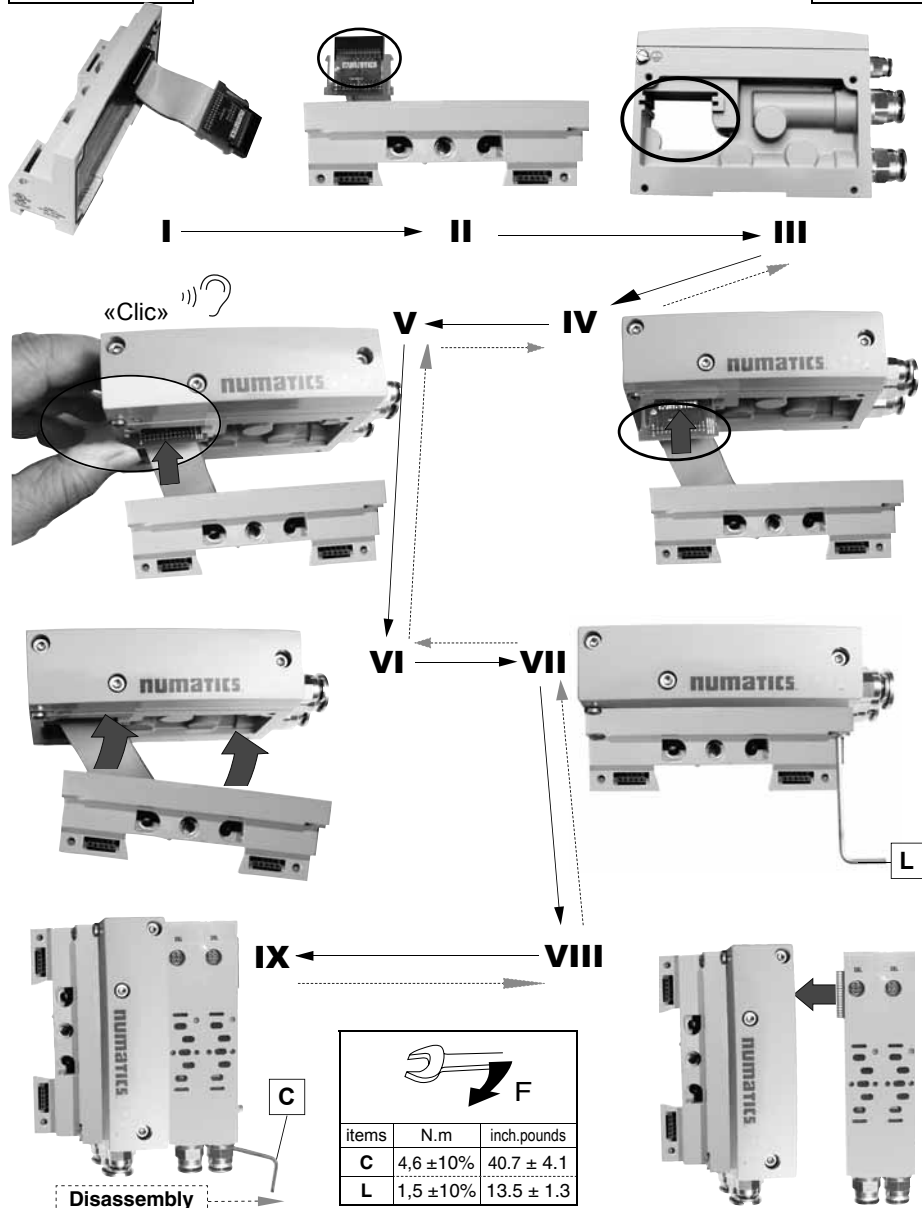
| items    | N.m      | Inch.pounds |
|----------|----------|-------------|
| <b>K</b> | 2,6 ±10% | 23 ± 2.3    |

**numatics**  
502



**numatics**  
502

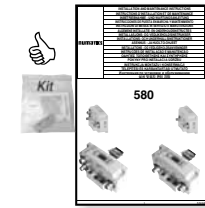
G3 / 580 / 599



**numatics**  
502





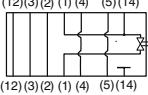

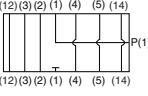

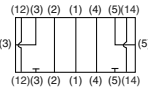

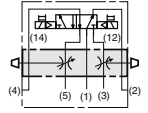

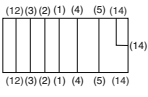
580



|  |                  |  |              |
|--|------------------|--|--------------|
|  | CANopen®         |  | POWERLINK    |
|  | DeviceNet™       |  | Ethernet/IP™ |
|  | PROFIBUS-DP®     |  | EtherCAT®    |
|  | EtherNET/IP™ DLR |  | PROFINET®    |
|  | SUB-BUS          |  |              |



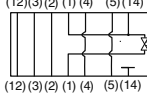

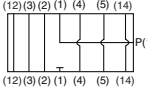

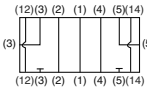

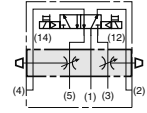

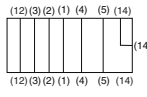
**High flow**



|   |  |                               |   |  |
|---|--|-------------------------------|---|--|
|  <p><b>High flow</b></p> |                             | <p><b>R502AY429409002</b></p> |  <p>(12)(3)(2) (1) (4) (5)(14)<br/>(12)(3)(2) (1) (4) (5)(14)</p> |  |
|   | <p><b>G1/4 NPT 1/4</b></p>  | <p><b>G502AW428685004</b></p> | <p><b>US ▶ 8502AW428685004</b></p>  |  <p>(12)(3)(2) (1) (4) (5) (14) P(1)<br/>(12)(3)(2) (1) (4) (5) (14)</p> |
|   | <p><b>G1/4 NPT 1/4</b></p>  | <p><b>G502AX428685002</b></p> | <p><b>US ▶ 8502AX428685002</b></p>  |  <p>(12)(3) (2) (1) (4) (5)(14)<br/>(3) (12)(3) (2) (1) (4) (5)(14)</p>  |
|   |                             | <p><b>R502AS429395002</b></p> |   |  <p>(14) (12)<br/>(4) (5) (1) (3) (2)</p>                                |
|   |                           | <p><b>G502AP428685006</b></p> | <p><b>US ▶ 8502AP428685006</b></p>  |  <p>(12)(3)(2) (1) (4) (5) (14)<br/>(12)(3)(2) (1) (4) (5) (14)</p>     |

**ISO 15407-2 18 mm**



|   |  |                               |  |   |
|---|--|-------------------------------|--|---|
|  <p><b>ISO 15407-2 18 mm</b></p> |                             | <p><b>R502AY429409001</b></p> |  <p>(12)(3)(2) (1) (4) (5)(14)<br/>(12)(3)(2) (1) (4) (5)(14)</p> |   |
|   | <p><b>G1/4 NPT 1/4</b></p>  | <p><b>G502AW428685003</b></p> | <p><b>US ▶ 8502AW428685003</b></p>   |  <p>(12)(3)(2) (1) (4) (5) (14) P(1)<br/>(12)(3)(2) (1) (4) (5) (14)</p> |
|   | <p><b>G1/4 NPT 1/4</b></p>  | <p><b>G502AX428685001</b></p> | <p><b>US ▶ 8502AX428685001</b></p>   |  <p>(12)(3) (2) (1) (4) (5)(14)<br/>(3) (12)(3) (2) (1) (4) (5)(14)</p>  |
|   |                             | <p><b>R502AS429395001</b></p> |  |  <p>(14) (12)<br/>(4) (5) (1) (3) (2)</p>                                |
|   |                           | <p><b>G502AP428685005</b></p> | <p><b>US ▶ 8502AP428685005</b></p>   |  <p>(12)(3)(2) (1) (4) (5) (14)<br/>(12)(3)(2) (1) (4) (5) (14)</p>     |

**numatics**

502



High flow  
0,7 ... 9 bar

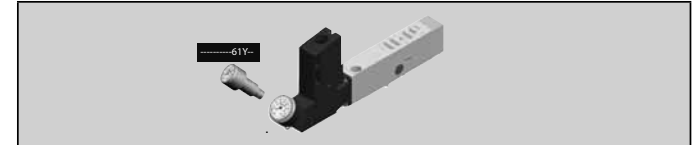
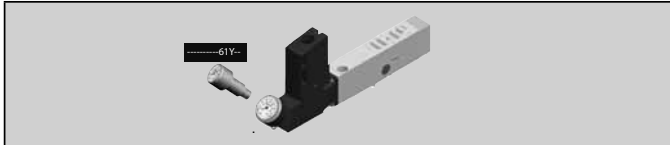


**numatics**

502

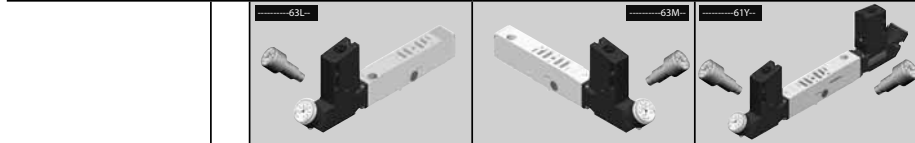


High flow  
10 ... 130 psig



|                 |    |               |  |  |
|-----------------|----|---------------|--|--|
| R502ARS12JA0010 | RS |               |  |  |
| R502ARS12J61Y10 |    | ....RS...A00. |  |  |

|                 |    |               |  |  |
|-----------------|----|---------------|--|--|
| R502ARS11JA0010 | RS |               |  |  |
| R502ARS11J61Y10 |    | ....RS...A00. |  |  |



|                 |    |                |  |  |
|-----------------|----|----------------|--|--|
| R502ARD12J16P10 | RD |                |  |  |
| R502ARD12J63L10 |    | ....RD...16P.. |  |  |
| R502ARD12J16N10 |    |                |  |  |
| R502ARD12J63M10 |    | ....RD...16N.. |  |  |
| R502ARD12JA0010 |    |                |  |  |
| R502ARD12J61Y10 |    | ....RD...A00.. |  |  |

|                 |    |                |  |  |
|-----------------|----|----------------|--|--|
| R502ARD11J16P10 | RD |                |  |  |
| R502ARD11J63L10 |    | ....RD...16P.. |  |  |
| R502ARD11J16N10 |    |                |  |  |
| R502ARD11J63M10 |    | ....RD...16N.. |  |  |
| R502ARD11JA0010 |    |                |  |  |
| R502ARD11J61Y10 |    | ....RD...A00.. |  |  |

|                 |    |                |  |  |
|-----------------|----|----------------|--|--|
| R502ARE12J16P10 | RE |                |  |  |
| R502ARE12J63L10 |    | ....RE...16P.. |  |  |
| R502ARE12J16N10 |    |                |  |  |
| R502ARE12J63M10 |    | ....RE...16N.. |  |  |
| R502ARE12JA0010 |    |                |  |  |
| R502ARE12J61Y10 |    | ....RE...A00.. |  |  |

|                 |    |                |  |  |
|-----------------|----|----------------|--|--|
| R502ARE11J16P10 | RE |                |  |  |
| R502ARE11J63L10 |    | ....RE...16P.. |  |  |
| R502ARE11J16N10 |    |                |  |  |
| R502ARE11J63M10 |    | ....RE...16N.. |  |  |
| R502ARE11JA0010 |    |                |  |  |
| R502ARE11J61Y10 |    | ....RE...A00.. |  |  |

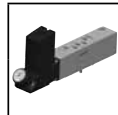
|                 |    |                |  |  |
|-----------------|----|----------------|--|--|
| R502ART12J16P10 | RT |                |  |  |
| R502ART12J63L10 |    | ....RT...16P.. |  |  |
| R502ART12J16N10 |    |                |  |  |
| R502ART12J63M10 |    | ....RT...16N.. |  |  |
| R502ART12JA0010 |    |                |  |  |
| R502ART12J61Y10 |    | ....RT...A00.. |  |  |

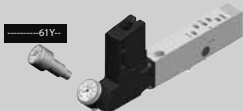
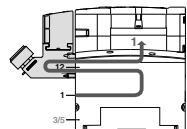
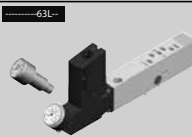
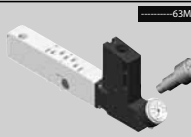
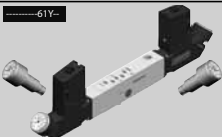
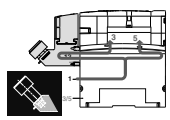
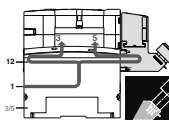
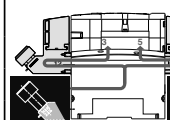
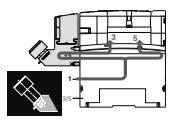
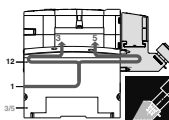
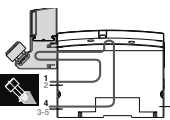
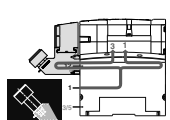
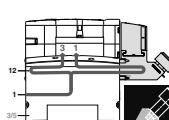
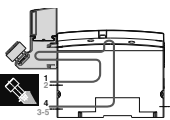
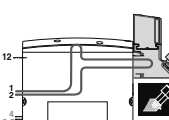
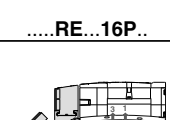
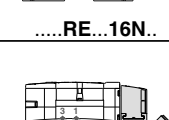
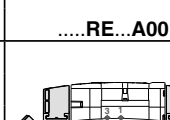
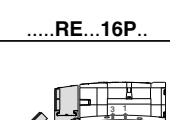
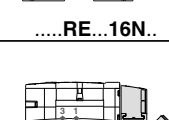
|                 |    |                |  |  |
|-----------------|----|----------------|--|--|
| R502ART11J16P10 | RT |                |  |  |
| R502ART11J63L10 |    | ....RT...16P.. |  |  |
| R502ART11J16N10 |    |                |  |  |
| R502ART11J63M10 |    | ....RT...16N.. |  |  |
| R502ART11JA0010 |    |                |  |  |
| R502ART11J61Y10 |    | ....RT...A00.. |  |  |

**numatics**  
502



ISO 15407-2  
18 mm  
0,7 ... 9 bar




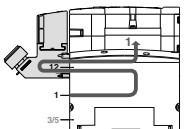
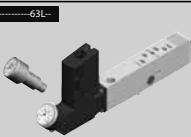

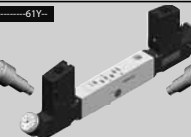
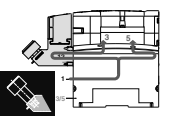
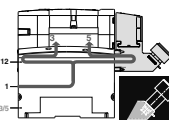
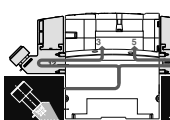
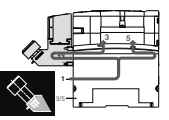
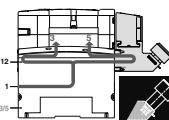
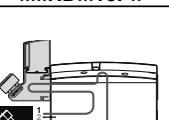
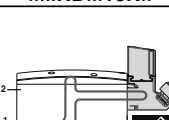
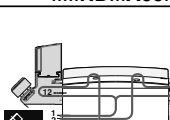
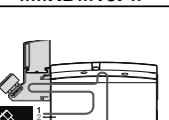
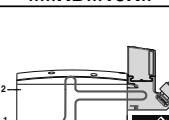
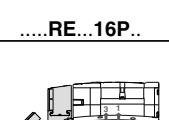
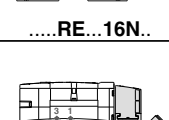

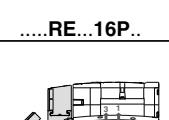
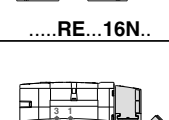
|                 |                |  |   |  |
|-----------------|----------------|--|---|--|
|                 |                |     |   |  |
| R502ARS12JA0020 | RS             |     |   |  |
| R502ARS12J61Y20 |                | ....RS...A00.  |   |  |
|                 |                |     |  |  |
| R502ARD12J16P20 | RD             |     |   |  |
| R502ARD12J63L20 |                |     |   |  |
| R502ARD12J16N20 |                |    |   |  |
| R502ARD12J63M20 |                |     |   |  |
| R502ARD12JA0020 |                |     |   |  |
| R502ARD12J61Y20 | ....RD...16P.. |  |   |  |
| R502ARE12J16P20 | RE             |    |   |  |
| R502ARE12J63L20 |                |    |   |  |
| R502ARE12J16N20 |                |   |   |  |
| R502ARE12J63M20 |                |    |   |  |
| R502ARE12JA0020 |                |    |   |  |
| R502ARE12J61Y20 | ....RE...16P.. |  |   |  |
| R502ART12J16P20 | RT             |   |   |  |
| R502ART12J63L20 |                |   |   |  |
| R502ART12J16N20 |                |  |   |  |
| R502ART12J63M20 |                |   |   |  |
| R502ART12JA0020 |                |   |   |  |
| R502ART12J61Y20 | ....RT...16P.. |  |   |  |
| R502ART12J63L20 | ....RT...16N.. |  |   |  |
| R502ART12J16N20 | ....RT...A00.. |  |   |  |

**numatics**  
502

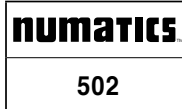


ISO 15407-2  
18 mm  
10 ... 130 psig

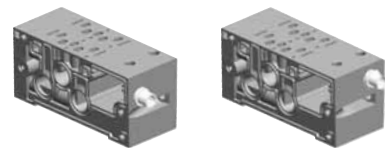
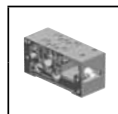


|                 |                |   |   |   |
|-----------------|----------------|---|---|---|
|                 |                |    |   |   |
| R502ARS11JA0020 | RS             |    |   |   |
| R502ARS11J61Y20 |                | ....RS...A00.   |   |   |
|                 |                |    |  |  |
| R502ARD11J16P20 | RD             |    |   |   |
| R502ARD11J63L20 |                |    |   |   |
| R502ARD11J16N20 |                |    |   |   |
| R502ARD11J63M20 |                |    |   |   |
| R502ARD11JA0020 |                |    |   |   |
| R502ARD11J61Y20 | ....RD...16P.. |   |   |   |
| R502ARE11J16P20 | RE             |   |   |   |
| R502ARE11J63L20 |                |   |   |   |
| R502ARE11J16N20 |                |   |   |   |
| R502ARE11J63M20 |                |   |   |   |
| R502ARE11JA0020 |                |   |   |   |
| R502ARE11J61Y20 | ....RE...16P.. |   |   |   |
| R502ART11J16P20 | RT             |  |   |   |
| R502ART11J63L20 |                |  |   |   |
| R502ART11J16N20 |                |  |   |   |
| R502ART11J63M20 |                |  |   |   |
| R502ART11JA0020 |                |  |   |   |
| R502ART11J61Y20 | ....RT...16P.. |   |   |   |
| R502ART11J63L20 | ....RT...16N.. |   |   |   |
| R502ART11J16N20 | ....RT...A00.. |   |   |   |



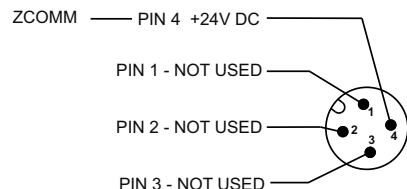


### ACCESSORY ZONED POWER (24 VDC Separation)



8  
G 502AM S M 2 3 V  
K K H W A 0 1 2 0

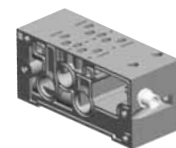
#### WIRING DIAGRAM



|    |   |
|----|---|
| EN | The 0 VDC reference for the +24 VDC applied to Pin 4 of the M12 Connector <b>MUST</b> be the same as the one used on G3 / 580 / Terminal Strip / 25 or 37 Pin Sub-D / 19 or 26 Pin Round Connector. If multiple 24 VDC power supplies are used the 0 VDC references of each power supply <b>MUST</b> be connected together.   |
| FR | La référence 0 VCC pour le +24 VCC appliquée à la broche 4 du connecteur M12 <b>DOIT</b> être la même que celle utilisée avec le G3 / 580 / bornier / connecteur Sub-D / 25 ou 37 broches / connecteur rond 19 ou 26 broches. Si des alimentations multiples en 24 VCC sont utilisées les références 0 VCC de chaque alimentation <b>DOIVENT</b> être connectées ensemble.  |
| DE | Die 0-VDC-Referenz für die +24 VDC, die an Pin 4 von Buchse M12 angelegt werden, <b>MÜSSEN</b> mit der übereinstimmen, die an G3 / 580 / Klemmenleiste / 25- oder 37-polige Sub-D- / runde 19- oder 26-polige Buchse verwendet werden. Wenn mehrere 24-VDC-Stromversorgungen verwendet werden, <b>MÜSSEN</b> die 0-VDC-Referenzen aller Stromversorgungen miteinander verbunden werden.   |
| ES | La referencia de 0 V CC para los +24 V CC aplicados a la patilla 4 del conector M12 <b>DEBE</b> ser la misma que la utilizada en el conector redondo de 19 o 26 pines / G3 / 580 / tira de terminales / Sub-D de 25 o 37 pines. Si se utilizan varias fuentes de alimentación de 24 V CC en las referencias de 0 V CC de cada fuente de alimentación, <b>DEBEN</b> conectarse juntas.   |
| IT | Il riferimento 0 V CC per la tensione a +24 V CC, applicata al piedino 4 del connettore M12, <b>DEVE</b> essere lo stesso utilizzato nel caso del G3 / 580 / Morsettera / Sub-D a 25 o 37 piedini / Connettore rotondo a 19 o 26 piedini. Nel caso siano utilizzate alimentazioni multiple a 24 V CC, i riferimenti 0 V CC di ciascuna alimentazione <b>DEVONO</b> essere connessi assieme.                                       |
| NL | De 0 VDC referentie voor +24 VDC toegepast op pin 4 van de M12-connector <b>MOET</b> identiek zijn aan de referentie die wordt gebruikt op G3 / 580 / Klemmenstrook / 25 of 37 Pin Sub-D / 19 of 26 Pin Round Connector. Indien er meerdere 24 VDC voedingen worden gebruikt <b>MOETEN</b> de 0 VDC referenties van iedere voeding op elkaar zijn aangesloten.  |
| NO | Referansen 0 VDC for +24 VDC bruk på pinne 4 til M12-kontaktene <b>MÅ</b> være det samme som den som brukes på G3 / 580 / terminalstripen / 25 eller 37 pinnars Sub-D / 19 eller 26 pinnars rund kontakt. Hvis flere 24 VDC-strømforsyninger brukes <b>MÅ</b> 0 VDC-referansene til hver strømforsyning kobles sammen.  |
| SE | 0 V DC-referens för +24 V DC på stift 4 på M12-kontaktdonet <b>MÅSTE</b> vara samma som den som används på G3/580/anslutningsrad/25- eller 37-stifts sub-D/19- eller 26-stifts runt kontaktad. Om flera 24 V DC-nätenheter används <b>MÅSTE</b> 0 V DC-referenserna för varje nätenhet kopplas ihop.  |
| FI | M12-liittimen tappiin +24 VDC:n 0 VDC -referenssin <b>ON OLTAVA</b> sama, jota käytetään G3 / 580 / liitäntärimä / 25:ssä tai 37 tapin Sub-D / 19:ssä tai 26 tapin pyöreässä liittimessä. Jos käytetään useita 24 VDC:n virtalähteitä, kaikkien virtalähteiden 0 VDC -referenssin <b>ON LIITETTÄVÄ</b> yhteen.  |
| DK | 0 VDC-referencen for +24 VDC, der anvendes til Ben 4 for M12-stik, <b>SKAL</b> være den samme som den, der anvendes på G3 / 580 / Terminalens bånd / 25 eller 37 bens Sub-D / 19 eller 26 bens rundt stik. Hvis der anvendes flere 24 VDC-strømforsyninger, <b>SKAL</b> 0 VDC-referencerne for hver strømforsyning være tilsluttet sammen.  |
| PT | A referência 0 VCC para a +24 VCC aplicada ao pino 4 do conector M12 <b>TEM</b> de ser igual à utilizada na G3/580/faixa de terminais/sub-D de 25 ou 37 pinos/conector redondo de 19 ou 26 pinos. Se utilizar várias fontes de alimentação de 24 VCC, <b>TEM</b> de ligar em conjunto as referências 0 VCC de cada fonte de alimentação.  |
| GR | Η τάση αναφοράς των 0 VDC για τα +24 VDC που εφαρμόζεται στον Πίνο 4 του Συνδέσμου M12 <b>ΠΡΕΠΕΙ</b> να είναι ο ίδιος με αυτόν που χρησιμοποιείται σε G3 / 580 / Τερματική ταινία / Sub-D 25 ή 37 πτεριών / Στρογγυλό σύνδεσμο 19 ή 26 πτεριών. Εάν χρησιμοποιούνται πολλαπλά τροφοδοτικά 24 VDC με τάσεις αναφοράς 0 VDC για κάθε τροφοδοτικό <b>ΠΡΕΠΕΙ</b> να είναι συνδεδεμένα μεταξύ τους.                                    |
| CZ | Referenční napětí 0 V DC pro napětí +24 V DC na kolků 4 konektoru M12 <b>MUSÍ</b> být stejné jako napětí použité na přístroji G3 / 580 / svorkovnice / kolk 25 nebo 37 konektoru Sub-D / kolk 19 nebo 26 kulatého konektoru. Jestliže se používá několik napájecích zdrojů 24 V DC, <b>MUSÍ</b> být referenční napětí 0 V DC každého napájení připojeno společně.   |
| PL | Odniesienie 0 VDC dla +24 VDC stosowanego dla Pinu 4 złącza M12 <b>MUSI</b> być takie samo jak te zastosowane na Listwie zaciskowej G3 / 580 / Sub-D 25 lub 37 stykowym / Okrągłym złączu 19 lub 26 stykowym. Jeśli zastosowanych jest kilka zasilaczy 24 VDC, wówczas odniesienia 0 VDC każdego zasilacza <b>MUSZA</b> być połączone razem.  |
| HU | Az M 12-es csatlakozó 4. tűjére alkalmazott +24 V DC 0 V DC referenciájának azonosnak <b>KELL</b> lennie a G3 / 580 / sorkapcsolóé / 25- vagy 37-tűs Sub-D / 19- vagy 26-tűs kerek csatlakozó értékével. Amennyiben több 24 V DC értékű tápellátás használ, csatlakoztatni <b>KELL</b> az összes tápellátás 0 V DC referenciáját.   |
| RU | Отсчетное напряжение 0 В пост. тока для +24 В пост. тока, подаваемое на конт. 4 Разъема M12, <b>ДОЛЖНО</b> быть таким же, как напряжение, используемое на G3 / 580 / Клеммная колодка / Разъем Sub-D Конт. 25 или 37 / Круглый разъем Конт. 19 или 26. При использовании нескольких источников питания 24 В пост. тока выводы отсчетного напряжения 0 В пост. тока каждого источника питания <b>ДОЛЖНЫ</b> быть соединены вместе. |



### ACCESSORY ZONED POWER (24 VDC Separation)



8  
G 502AM S M 2 3 V  
K K H W A 0 1 2 0

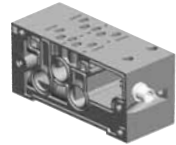
ISO 13849

|    |   |
|----|---|
| EN | The Zoned Power manifold could be used as a Safety Related Product of a Control System (SRP/CS) compliant with ISO 13849 safety standards up to Category 3 / PLd. It is not possible to reach Category 4 / PLe as the electrical construction does not allow the required continuous monitoring by external safety relays or safety output devices. Although the Zoned Power manifold can be compatible with Category 3 / PLd of a Safety Related Product of a Control System (SRP/CS), the final safety level must be calculated by the user in accordance with ISO 13849 standards, integrating the data of the complete system (e.g. architecture, inputs, logic, outputs and monitoring). Reliability data of our pneumatic components can be given upon request.   |
| FR | Les lots pneumatiques Zoned Power peuvent être utilisés comme partie d'un système de commande relative à la sécurité (SRP/CS) conforme aux normes ISO 13849 jusqu'à la Catégorie 3 / PLd. Il n'est pas possible d'atteindre la catégorie 4 / PLe car la construction électrique ne permet pas la réalisation, par les relais de sécurité ou les systèmes de sortie de sécurité externes, du diagnostic continu exigé. Bien que les lots pneumatiques Zoned Power puissent être utilisés comme partie d'un système de commande relative à la sécurité (SRP/CS) de catégorie 3 / PLd, le niveau de sécurité final doit être calculé par l'utilisateur en accord avec les normes ISO 13849, intégrant les données de l'ensemble du système (architecture, entrées, logique, sorties et diagnostic). Les données de fiabilité de nos composants pneumatiques peuvent être fournies sur demande.             |
| DE | Die Zoned Power-Ventilinsel könnte als sicherheitsrelevantes Produkt eines Steuersystems (SRP/CS) verwendet werden, das den ISO 13849-Sicherheitsnormen bis Kategorie 3/PLd entspricht. Es ist nicht möglich, Kategorie 4/PLe zu erreichen, da die elektrische Konstruktion die erforderliche fortlaufende Überwachung durch externe Sicherheitsrelais oder Sicherheitsausgabegeräte nicht ermöglicht. Auch wenn die Zoned Power-Ventilinsel mit Kategorie 3/PLd eines sicherheitsrelevanten Produkts eines Steuersystems (SRP/CS) kompatibel sein kann, muss die endgültige Sicherheitsstufe vom Benutzer in Übereinstimmung mit ISO 13849-Normen unter Einbeziehung der Daten des vollständigen Systems (z. B. Architektur, Eingänge, Logik, Ausgänge und Überwachung) berechnet werden. Die Zuverlässigkeitsdaten unserer pneumatischen Komponenten können auf Anfrage bereitgestellt werden.        |
| ES | El colector Zoned Power podría utilizarse como un producto relacionado con la seguridad de un sistema de control (SRP/CS) conforme con las normas de seguridad ISO 13849 hasta la Categoría 3 / PLd. No es posible alcanzar la Categoría 4 / PLe puesto que la construcción eléctrica no permite el control continuo requerido mediante relés de seguridad externos o dispositivos de salida de seguridad. Aunque el colector Zoned Power puede ser compatible con la Categoría 3 / PLd de un producto relacionado con la seguridad de un sistema de control (SRP/CS), el nivel de seguridad final debe calcularse de acuerdo con las normas ISO 13849, integrando los datos del sistema completo (por ejemplo, arquitectura, entradas, lógica, salidas y control). Podemos facilitar los datos de fiabilidad de nuestros componentes neumáticos previa petición.                                       |
| IT | Il collettore - ad alimentazione secondo la zona - Zoned Power può essere impiegato come 'prodotto correlato alla sicurezza' di un sistema di comando (SRP/CS), conforme alle norme di sicurezza ISO 13849 fino alla Categoria 3 / PLd. Non è possibile ottenere la Categoria 4 / PLe, dato che la costruzione elettrica non consente il monitoraggio continuo richiesto dal relé esterni di sicurezza. Sebbene il collettore Zoned Power possa essere compatibile con la Categoria 3 / PLd di un 'prodotto correlato alla sicurezza' di un sistema di comando (SRP/CS), il livello finale di sicurezza potrà essere calcolato dall'utente in conformità alle norme ISO 13849, integrando i dati del sistema completo (ad esempio l'architettura, gli input, la logica, gli output ed il monitoraggio). I dati di affidabilità dei nostri componenti pneumatici possono essere comunicati su richiesta. |
| NL | Het Zoned Power verdeelstuk kan worden gebruikt als veiligheidsproduct voor een besturingssysteem (SRP/CS) in overeenstemming met ISO 13849 veiligheidsnormen tot en met categorie 3 / PLd. Categorie 4 / PLe is niet haalbaar, aangezien de elektrische constructie de vereiste continue bewaking door externe veiligheidsrelais of uitvoerapparaten niet toelaat. Hoewel het Zoned Power verdeelstuk compatibel kan zijn met categorie 3 / PLd van een veiligheidsproduct voor een besturingssysteem (SRP/CS), dient het uiteindelijke veiligheidsniveau door de gebruiker te worden berekend in overeenstemming met ISO 13849 normen, waarbij de gegevens van het hele systeem worden verwerkt (v. architectuur, ingangen, logica, uitgangen en bewaking). De gegevens omtrent betrouwbaarheid van onze pneumatische componenten worden op verzoek verstrekt.  |
| NO | Den sonede strøm manifold kan brukes som et sikkerhetsrelatert produkt i et kontrollsystem (SRP/CS) i samsvar med ISO 13849 sikkerhetsstandarder opp til kategori 3 / PLd. Det er ikke mulig å nå kategori 4 / PLe fordi den elektriske oppbygningen ikke tillater den nødvendige, kontinuerlige overvåkingen av eksterne sikkerhetsrelé eller sikkerhetsutgangsenheter. Selv om den sonede strøm manifold kan være forenelig med kategori 3 / PLd til et sikkerhetsrelatert produkt i et kontrollsystem (SRP/CS), må det endelige sikkerhetsnivået beregnes av brukeren i samsvar med ISO 13849-standarder, integrering av data i det komplette systemet (f.eks. arkitektur, inngang, logikk, utgang og overvåking). Pålitelighetsdata for våre pneumatiske komponenter leveres etter anmodning.   |
| SE | Zoned Power-grenkopplingen kan användas som en säkerhetsrelaterad produkt i ett styrsystem (SRP/CS) som överensstämmer med säkerhetsstandarderna ISO 13849 upp till kategori 3/PLd. Det är inte möjligt att nå kategori 4/PLe eftersom den elektriska konstruktionen inte medger den kontinuerliga övervakning som krävs av externa säkerhetsreläer eller säkerhetsutgångsenheter. Även om Zoned Power-grenkopplingen kan vara kompatibel med kategori 3/PLd hos en säkerhetsrelaterad produkt i ett styrsystem (SRP/CS) måste den slutliga säkerhetsnivån beräknas av användare enligt standarderna ISO 13849 och data gällande hela systemet integreras (t.ex. arkitektur, inngångar, logik, utgångar och övervakning). Tillförlighetsdata för våra pneumatiska komponenter kan fås på begäran.   |

**numatics**

502

## ACCESSORY ZONED POWER (24 VDC Separation)



$$\begin{matrix} 8 & & 2 \\ G & 502AM & S \\ K & & M \\ & & 2 \\ & & 3 \\ & & H \\ & & W \\ & & A00 \\ & & 1 \\ & & 2 \\ & & 0 \\ & & K \end{matrix}$$


ISO 13849

|           |   |
|-----------|---|
| <b>FI</b> | Zoned Power -kokoojaa voitaisiin käyttää ohjausjärjestelmän (SRP/CS) turvallisuuteen liittyvänä tuotteena, joka noudattaa ISO 13849 -turvastandardeja kategoriinaan 3 / PLd saakka. Kategoriinaan 4 / PLe se ei ole riittävä, koska sähköinen rakenne ei mahdollista vaadittua ulkopuolisten turvareiden tai turvallisuuden tulostuslaitteiden jatkuvaa seurantaa.<br>Vaikka Zoned Power -kokoojaa voidaan käyttää ohjausjärjestelmässä (SRP/CS) kategoriinan 3 / PLd -runkainen turvallisuuteen liittyvä tuote, on käyttäjän annettava lupallinen turvataso ISO 13849 -standardien mukaan ottaen huomioon kokonaisuuden tiedot (esim. rakenne, tulot, logiikka, lähdöt ja seuranta).<br>Pyydettyäsi voimme antaa pneumaattikkomponenttiemme luotettavuustiedot.  |
| <b>DK</b> | Zoned Power-manifolden kan anvendes som et SRP/CS-system (Safety Related Product of a Control System) overensstemmende med ISO 13849-sikkerhedsstandarderne op til kategori 3/PLd.<br>Det er ikke muligt at opnå kategori 4/PLe, da den elektriske konstruktion ikke tillader den påkrævede løbende overvågning af eksterne sikkerhedsrelæer eller sikkerhedsenheder.<br>Selv om Zoned Power-manifolden kan være kompatibel med kategori 3/PLd for et SRP/CS-system (Safety Related Product of a Control System), skal det endelige sikkerhedsniveau beregnes af brugeren i overensstemmelse med ISO 13849-standarderne og skal integreres data for hele systemet (dvs. arkitektur, input, logik, output og overvågning).<br>Pålidelige data for vores pneumatiske komponenter kan oplyses på anmodning.  |
| <b>PT</b> | Pode utilizar o coletor de Potência Dividida em Zonas como um Produto Relacionado com a Segurança de um Sistema de Controlo (SRP/CS) compatível com as normas de segurança ISO 13849 até à Categoria 3/PLd.<br>Não é possível alcançar a Categoria 4/PLe, porque a construção elétrica não permite a monitorização contínua obrigatória com relés de segurança externos ou dispositivos de saída de segurança.<br>Apesar de o coletor de Potência Dividida em Zonas poder ser compatível com a Categoria 3/PLd de um Produto Relacionado com a Segurança de um Sistema de Controlo (SRP/CS), o utilizador tem de calcular o nível de segurança final de acordo com as normas ISO 13849, integrando os dados de todo o sistema (ex. arquitetura, entradas, lógica, saídas e monitorização).<br>Os dados de fiabilidade dos componentes pneumáticos podem ser fornecidos a pedido.          |
| <b>GR</b> | Η πολλαπλή Zoned Power θα μπορούσε να χρησιμοποιηθεί ως Προϊόν Ασφαλείας Συστήματος Ελέγχου (SRP/CS) σε συμμόρφωση με τα πρότυπα ασφαλείας του ISO 13849 έως την Κατηγορία 3 / PLd.<br>Η επίτευξη της Κατηγορίας 4 / PLe δεν είναι εφικτή καθώς η δομή του ηλεκτρικού συστήματος δεν επιτρέπει την απαιτούμενη συνεχή παρακολούθηση από εξωτερικά relé ασφαλείας ή διατάξεις εξόδου ασφαλείας.<br>Παρόλο που η πολλαπλή Zoned Power μπορεί να είναι συμβατή με την Κατηγορία 3 / PLd ενός Προϊόντος Ασφαλείας Συστήματος Ελέγχου (SRP/CS), το τελικό επίπεδο ασφαλείας πρέπει να υπολογίζεται από τον χρήστη σύμφωνα με τα πρότυπα ISO 13849, ενσωματώνοντας τα δεδομένα ολοκλήρωσης του συστήματος (π.χ. αρχιτεκτονική, εισόδους, λογικά στοιχεία, εξόδους και παρακολούθηση).<br>Τα δεδομένα αξιοπιστίας των pneυματικών εξαρτημάτων μας διατίθενται, αν ζητηθούν.                      |
| <b>CZ</b> | Potrubi Zoned Power lze použít jako produkt řídicího systému související s bezpečností (Safety Related Product of a Control System, SRP / CS) kompatibilní s bezpečnostními normami ISO 13849 až do kategorie 3 / PLd.<br>Kategorie 4 / PLe nelze dosáhnout, protože elektrická konstrukce požadované kontinuální sledování externími bezpečnostními relé nebo bezpečnostními výstupními zařízeními.<br>Ačkoli potrubi Zoned Power může být kompatibilní s kategorií 3 produktu řídicího systému souvisejícího s bezpečností (Safety Related Product of a Control System, SRP / CS), konečnou úroveň bezpečnosti musí vypočítat uživatel v souladu s normami ISO 13849, integrující data celého systému (např. architektura, vstupy, logika, výstupy a monitorování).<br>Údaje o spolehlivosti našich pneumatických součástí poskytneme na vyžádání.                                      |
| <b>PL</b> | Rura rozgaleźna mocy strefowej mo¿e być stosowana jako produkt systemu sterowania (SRP/CS) związany z bezpieczeñstwem, zgodny z normami bezpieczeñstwa ISO 13849 do maks. kategorii 3 / PLd.<br>Nie jest mo¿liwe osiagniecie kategorii 4 / PLe, poniewa¿ budowa układu elektrycznego nie umo¿liwia wymaganego ciaglego monitorowania przez zewnętrzne przekazniki bezpieczeñstwa lub zabezpieczajace urzadzenia wyjsciove.<br>Chocia¿ rura rozgaleźna mocy strefowej mo¿e być zgodna z kategorią 3 / PLd produktu zwiazanego z bezpieczeñstwem systemu sterowania (SRP/CS), koñcowy poziom bezpieczeñstwa musi być obliczony przez u¿ytkownika zgodnie z normami ISO 13849, z uwzględnieniem danych całego systemu (np. architektury, wejść, logiki, wyjść i monitorowania).<br>Dane dotyczace niezawodności naszych podzespolow pneumatycznych mo¿na uzyskac na zamówienie.              |
| <b>HU</b> | A Zoned Power elosztó a Vezérlő rendszer (SRP/CS) Biztonsági termékéként is használható, megfelel az ISO 13849 biztonsági szabványnak a 3 / PLd kategóriájáig.<br>Nem lehet elérni vele a 4 / PLe kategóriát, mivel az elektromos szerkezet nem teszi lehetővé a kívánt folyamatos megfigyelést a külső biztonsági relé vagy biztonsági kimeneti eszközök segítségével.<br>Azonban a Zoned Power elosztó kompatibilis lehet a Vezérlő rendszer (SRP/CS) Biztonsági termékének a 3 / PLD kategóriájával. A végleges biztonsági szintet a felhasználónak az ISO 13849 szabvány alapján kell kalkulálnia a teljes rendszer adatait összegezve (pl.: építéset, bemenetek, logika, kimenetek és megfigyelés).<br>A pneumatikus alkatrészeink megbízhatósági adatai kérésre megadhatóak.  |
| <b>RU</b> | Распределительная коробка питания может использоваться в качестве безопасной детали для системы управления (SRP/CS) в соответствии со стандартами безопасности ISO 13849 относительно категории 3 / уровня производительности d.<br>Невозможно достичь категории 4 / уровня производительности e, поскольку электрической конструкцией не предусмотрен непрерывный контроль внешних предохранительных реле или защитных выходных устройств.<br>Хотя распределительная коробка питания совместима с категорией 3 / уровнем производительности d, что обеспечивает безопасность детали для системы управления (SRP/CS), пользователь должен рассчитать конечный уровень безопасности согласно стандартам ISO 13849 с учетом данных целой системы (например: архитектура, входы, логика, выходы и мониторинг).<br>Данные о надежности пневматических компонентов предоставляются по запросу. |

36

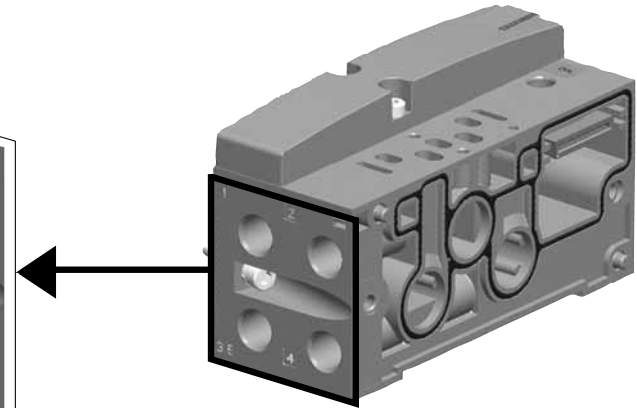
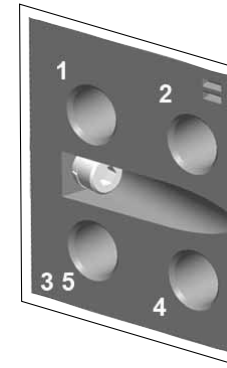
503398-001

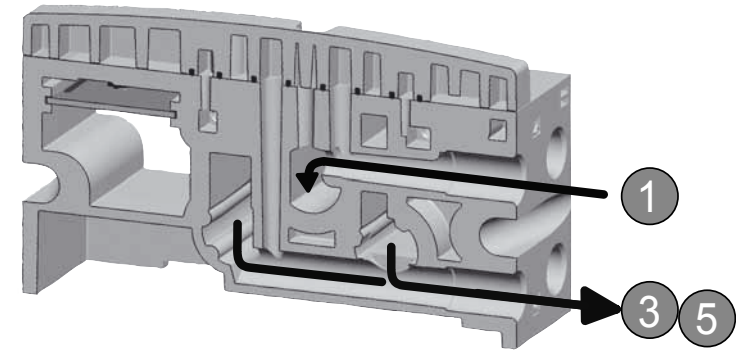
**numatics**

CE

## ACCESSORY MID STATION SUPPLY AND EXHAUST 503 double Z-board, 15407-2 double Z-board and 15407-1 no Zboard

502



$$\begin{matrix} 8 & & 1 \\ G & 502AZ & M \\ K & & V \\ & & 22 \\ & & 0 \\ & & A00 \\ & & 2 \\ & & 3 \end{matrix}$$


ASCO SAS  
53 rue de la Beauce, 28110 Luce  
775 729 098 RCS Chartres

37

USA Numatics, Incorporated  
46280 Dylan Drive, Novi, Michigan 48377  
P: 248-596-3200 - F: 248-596-3201  
http://www.asconumatics.com