

ASCO	INSTALLATION AND MAINTENANCE INSTRUCTIONS Monostable series 553 solenoid valves for safety applications Aluminium or stainless steel body, 1/2" thread – NAMUR interface, according to IEC standard 61508 (SIL approval)	3/2 NC	GB
		5/2	

DESCRIPTION OF THE CERTIFICATION
Versions concerned by the certification, suffix SL:
Series 553, aluminium or stainless steel body, monostable (spring return), 3/2 NC (normally closed) function or 5/2, version isolated from the outside atmosphere. Versions without manual override or with impulse-type manual override:

- **with 1/2" threaded connection** (Do not connect the pressure supply to the exhaust port 3. The "environmentally-protected" construction is not adapted for a "distributing" function or use in NO function. Contact us for functions available in specific versions)

- **with NAMUR interface** for direct mounting to single acting (function 3/2 NC) or double acting (function 5/2) pneumatic actuators. The function of the valve is convertible from 3/2 NC to 5/2 by mounting the supplied 13/2 NC or 5/2 interface plate at the bottom of the valve (fig. C and D, ref. 1a and 1b). (Do not connect the pressure supply to the exhaust port 3. The "environmentally-protected" construction is not adapted for NO function. Contact us for function available in specific version)

The use of any other product is prohibited and does not constitute a part of this approval.
IEC standard 61508 describes a set of general requirements for each phase in the life cycle of a safety system. Analysis of the reliability achieved by the EXIDA has shown that these distributors and electrical distributors can be used in a security management system (SMS) up to and including SIL 2 at HFT = 0 and up to and including SIL 3 at HFT = 1 with the required HFT level based on route 2H in accordance with the CEI 61508-2: 2010 standard.

A summary of the trial results and the reliability data is provided on pages 35 and 36 of this document. For the installation, maintenance, testing and commissioning of these valves, use of the security manual (V9629) is recommended; this is available on the website www.asconumatics.eu. All indications and provisions contained in the general installation and maintenance instructions form the basis of the above-mentioned documents. To ensure the reliability, all additional provisions mentioned hereinafter must also be adhered to.

Connect pipes for the required functions in accordance with this documentation and the port markings on the product.

- Make sure no foreign matter enters the circuit to prevent blocking the valve function. Restrict the use of sealing tape or sealing matter to a minimum.

- These valves are intended for use with clean and dry air or inert gas. Recommended minimum filtration: 50 microns. The dew point of the fluid used must be at least -20°C (36°F) below the minimum temperature to which the fluid may be exposed. When using lubricated air, the lubricant must be compatible with the elastomers used. Instrument air in compliance with ANSI/ISA standard S7.3 (1975) exceeds the necessary requirements and is, therefore, an acceptable fluid for these valves.

- All exhaust ports of the valves and pilots must be protected with the stainless steel exhaust protectors supplied with the product (see rep. 3). When used in a pipe connection, the valves must be protected with (an) appropriate filter(s). Connect these exhaust protectors to port 3 (3/2 NC) or ports 3 – 5 (5/2) of the valves. The reliability of the valve cannot be guaranteed if an exhaust protection other than that supplied is used. In this case, please contact Asco or one of its authorised representatives.

- Maximum working pressure:

- 2 to 10,4 bar
- 2 à 8 bar (195-LISC)

⚠ Remember that the product security function is not guaranteed if the product is fitted with a manual lock control which is activated. Do not forget to deactivate this to restore the product to its security configuration.

DESCRIPTION

ATEX 94/9/EC versions: See "Special conditions for safe use". Versions isolated from atmosphere: The internal parts of the valve are isolated from the outside atmosphere in order to provide protection in aggressive environments. All the exhaust ports of the spool valve are pipable, providing better environmental

protection, particularly recommended for sensitive areas such as clean rooms and applications in the pharmaceutical or food processing industries. It is necessary to connect pipes or fittings to the exhaust ports to protect the internal parts of the spool valve if used outside or in harsh environments (dusts, liquids etc.).

SPECIAL CONDITIONS FOR SAFE USE

ATEX 94/9/EC: The valve must be connected to ground (ref. F). Storage conditions: protected from exposure to weather; storage temperature: -40°C to +70°C; relative humidity: 95%

The spool valve must be kept in its original packaging as long as it is left unused. The protective covers must not be removed from the connection ports and solenoid operators. Ambient temperature: -25°C (aluminium), -40°C (stainless steel) to +60°C

The max. temperature of the fluid does not exceed the ambient temperature.

After storage at low temperature, the spool valves must gradually be brought to operating temperature prior to pressurisation.

If, in Zone 1, Group IIC, use is made of the 553 series with integrated pilot, the product must be protected against ambient air flow and friction in order to prevent electrostatic charge on the synthetic material casing. The wearing of dry clothes and/or friction on the surface of the magnetic head should be avoided during installation and maintenance.

The spool valves are intended to be operated within the technical characteristics specified on the nameplate. Changes to the products may only be made after consulting the manufacturer or his representative. **These solenoid spool valves are designed to operate with filtered air or neutral gas.** Do not exceed the maximum allowable pressure of the valve = 8/10,4 bar. Caution: observe the minimum pilot pressure of 2 bar. Installation and maintenance of the valve must be carried out by qualified personnel only.

• Standard IP65-rated air operated versions or versions for use in explosive atmospheres caused by gases, vapours, mists or dusts according to ATEX Directive 94/9/EC. (The zone classification for this version is stated on the ATEX label, ref. E2).

E2/Safety code: **II 2GD IIC X Ta 60°C T85°C (T6).**

Compliance with the Essential Health and Safety Requirements has been assured by compliance with the European Standard **EN 13463-1.**

• Solenoid-air operated versions fitted with solenoid operators:

- IP65 sealed or

- certified for use in explosive atmospheres according to ATEX Directive 94/9/EC

• **Versions with integral pilot, IP65-rated as standard, or for use in explosive atmospheres II 3D IP65 or ATEX Ex m, em**

• **Versions with solenoid operators with ASCO mounting pad, IP65-rated as standard, or for use in explosive atmospheres II 3D IP65 or ATEX/IEC Ex d, m, em, ia.**

• **Versions with pilots with CNOMO E06.05.80 (size 30) or CNOMO E06.36.120N (size 15) mounting pad, IP 65-rated as standard, or mounting of pilots for use in explosive atmospheres according to ATEX Ex d or Ex ia. Caution (CNOMO pilots): Placing the valves into zones (ATEX 1999/92/EC) is defined in first line by the indications on the label (ref. E2) on the body of each valve.**

E2/Safety code: **II 2GD IIC X Ta 60°C T85°C (T6).**

When assembling this product to a pilot to ATEX 94/9/EC, take the least favourable category, maximum working pressure and temperature into account. Compliance with the Essential Health and Safety Requirements has been assured by compliance with the European Standards **EN 13463-1.**

The mounting position for the pilots as shown in figures 5/6/7/8/10 and the indicated tightening torques must be observed.

For solenoid operators and pilots to ATEX 94/9/EC, the instructions for use given in the specific Installation Instructions provided with the product must be strictly followed.

ASCO	INSTALLATION AND MAINTENANCE INSTRUCTIONS Monostable series 553 solenoid valves for safety applications Aluminium or stainless steel body, 1/2" thread – NAMUR interface, according to IEC standard 61508 (SIL approval)	3/2 NC	GB
		5/2	

ASSEMBLY

⚠ ATEX 94/9/EC versions: Make sure that all metal or conductive parts are always interconnected and connected to earth. The valve body is connected to earth with the fastening screw (ref. F).
The valves may be mounted in any position.

Treaded ports versions (1/2) (fig. A, B) :
Mount the valve with two screws (rep. F) (not supplied).

With NAMUR interface versions (fig C, D) :
Before mounting the spool valve on the operator, it must be set to the required function :

- Select the interface which corresponds to the required function : 3/2 NC or 5/2 (rep. 1a or 1b).
- Make sure the seal is properly fitted (rep.7)
- Assemble the interface under the spool valve with the 2 screws supplied. Make sure the indication of the function is placed on the return side (polarizing slot)
- Fit the two O-rings (rep.9)
- If necessary, fit the dowel pin on the operator:
 - On the 3/2 NC function plate: the Ø 5 dia. hole is at A3/A1.
 - On the 5/2 function plate: the Ø 5 dia. hole is at A3/A2.

PNEUMATIC CONNECTION

Depending on the version (3/2 NC or 5/2), one or both stainless steel exhaust protectors supplied with each product must be used.

• **Connection of pneumatic pilot version:**
G 1/4 or NPT 1/4.

• **Connection of pilot exhausts**
- Connect the exhaust port Ø M5, G 1/8 or NPT1/8

• **Manual override (rep. 10)**
Depending on the version, the products are supplied **without manual override or with impulse-type manual override** for operation without power.

• **General recommendations for pneumatic connection**
Connect pipes for the required functions in accordance with this documentation and the port markings on the product. Make sure that no foreign matter enters the system. Correctly support and align the pipes to prevent mechanical strain on the valve. When tightening, do not use the valve as a lever; locate wrenches as close as possible to connection point. To avoid damage to the equipment, DO NOT OVERTIGHTEN pipe connections.

• **Treaded 1/2 port versions (fig. A, B):**

- **Connection of the spool valve:**
Connect pipes as indicated on the label:

- **3/2 NC function:**
Pressure inlet at port 1 (1/2). Pressure outlet at port 2. Exhaust at port 3 (1/2).

- **5/2 function:**
Pressure inlet at port 1. Pressure outlet at ports 2 and 4. The exhausts are channelled through the valve to ports 3 and 5.

• **Version with NAMUR interface (fig C, D) :**

- **Connection of the spool valve**
Connect pipes as indicated on the label:

- **3/2 NC function:**
Pressure inlet at port 1 (1/2). Pressure outlet at port 2 and 4. Exhaust at port 3 (1/8). Exhaust from the return operator spring chambers in the single-acting version is channelled through the valve to Port 3. It is recommended to protect Port5 (if not used) - **do not stop up it.**

- **5/2 function:**
Pressure inlet at port 1 (1/2). Pressure outlet at ports 2 and 4. The exhausts are channelled through the valve to ports 3 and 5 (or 1/2).

ELECTRICAL CONNECTION

Before any intervention, turn off the electrical current to power off the components.

All screw terminals must be tightened to the appropriate torque prior to operation.

Make the connection to earth for versions > 48 V.

• **IP65-sealed integral pilot version (fig. A) :**
Mount the coil on the tube (rotatable through 360°) and then the removable ISO 4400/EN 175101-803A connector (cable dia 6-10 mm) rotatable by 90° (3 pins: 2 + earth).

• **Version with solenoid heads with ASCO interface:**
See additional installation instructions supplied with every solenoid head.

• **Version with CNOMO pad mounting:** See additional installation instructions supplied with every pilot valve.

• **General recommendations:**
Electrical connections must be made by qualified personnel and according to applicable local standards and regulations. Caution:

- Depending on the voltage, electrical components must be grounded according to local standards and regulations. Most valves are equipped with coils designed for continuous duty. To prevent the risk of personal injury, do not touch the solenoid operator which can become hot under normal operating conditions. If the valve is easily accessible, the installer must provide for protection against accidental contact of the solenoid operator.

MAINTENANCE

⚠ Prior to any maintenance work or putting into operation, power off, depressurise and vent the valve to prevent the risk of personal injury or damage to equipment.

ATEX versions: Strictly follow all procedures recommended by Directive 99/92/EC and associated standards.

• **Cleaning**
Maintenance of the valves depends on the operating conditions. They must be cleaned at regular intervals. During servicing, the components must be checked for excessive wear. The components must be cleaned when a slowing down of the cycle is noticed even though the pilot pressure is correct or if any unusual noise or a leak is detected.

• **Sound emission**
The emission of sound depends on the application, medium and type of equipment used. The exact determination of the sound level can only be made by the user having the valve installed in his system.

• **Preventive maintenance**
- Operate the valve at least once a month to check its function.

- If problems arise during maintenance or in case of doubt, please contact ASCO Numatics or one of its authorised representatives.

• **Troubleshooting**
- Incorrect outlet pressure: Check the pressure on the supply side of the valve; it must correspond to the values indicated on the nameplate.

Caution: observe the minimum pilot pressure value of 2 bar.

To avoid personal injury or damage to equipment, check that the valve operates correctly before putting it back into operation.

• **Spare parts**
Coils are available as spare parts. If necessary, replace the entire valve.

502588-001 / A Availability, design and specifications are subject to change without notice. All rights reserved.

	INSTALLATIONS-UND WARTUNGSANWEISUNGEN Monostabile Magnetventile der Baureihe 553 für Sicherheitsanwendungen Gehäuse aus Aluminium oder Edelstahl, 1/2"-Gewinde - NAMUR, - entsprechend der IEC-Norm 61508 (SIL-Zulassung)	3/2 NC 5/2	DE

BESCHREIBUNG DER ZERTIFIZIERUNG
Von der Zertifizierung betroffene Ausführungen, Zusatz SL:
Ausschließlich Baureihe 553, Gehäuse aus Aluminium oder Edelstahl, monostabil (Federrückstellung), 3/2-Version NC (normal geschlossen) oder 5/2, gegen Atmosphäre abgedichtete Versionen, Versionen ohne Handhilfsbetätigung oder mit impulsbetätigter Handhilfsbetätigung;
- mit 1/2"-Gewindeanschluss (Der Druckanschluss ist nicht am Entlüftungsanschluss 3 anzuschließen. Die "hermetisch abgedichtete" Ausführung ist nicht für eine "verteilende" Funktion oder Verwendung in NO-Funktion ausgelegt. Funktionen in Sonderausführungen auf Anfrage.)
- mit Aufflanschbild gemäß NAMUR für die direkte Montage auf einfachwirkende (Funktion 3/2 NC) oder doppelwirkende (Funktion 5/2) Pneumatik-Antriebe. Das Ventil lässt sich wahlweise auf die Funktion NC 3/2 oder 5/2 umstellen durch Montage einer der entsprechenden im Lieferumfang enthaltenen Adapterplatten auf der Unterseite des Ventils (Abb. C, D, Nr. 1a und 1b). (Der Druckanschluss ist nicht am Entlüftungsanschluss 3 anzuschließen. Die "hermetisch abgedichtete" Ausführung ist nicht für die NO-Funktion ausgelegt. Funktionen in Sonderausführungen auf Anfrage.)
Jegliche Verwendung eines anderen Produkts ist untersagt und nicht Teil dieser Zertifizierung.
 Die IEC-Norm 61508 legt eine Anzahl von allgemeinen Anforderungen für ein Sicherheitssystem in allen Phasen seines Lebenszyklus fest. Die vom TÜV durchgeführte Zuverlässigkeitsanalyse konnte für diese Ventile eine Einsatzfähigkeit in einem Sicherheitsmanagementsystem (SMS) bis zur Sicherheitsstufe SIL 2 mit einer Hardwarefehlereranz HFT = 0 und bis einschließlich Sicherheitsstufe SIL 3 mit einer HFT = 1 nachweisen, wobei die erforderliche HFT auf den Konformitätspfad 2H entsprechend der Norm IEC 61508-2 2010 basiert.
 Eine Zusammenfassung der Testergebnisse sowie die Zuverlässigkeitsangaben sind auf den Seiten 35 und 36 gegeben. Für die Installation, Wartung, Funktionsprüfung und Inbetriebnahme der Ventile ist das Sicherheitshandbuch (V9629) unter www.asconumatics.eu heranzuziehen. Alle in den allgemeinen Installations- und Wartungsanleitungen enthaltenen Angaben und Vorschriften bilden die Grundlage für die oben erwähnten Unterlagen. Um die Zuverlässigkeit zu garantieren, sind die nachstehend erwähnten ergänzenden Vorschriften ebenfalls einzuhalten.
 - Die Verrohrung ist entsprechend der gewünschten Funktion und der Kennzeichnung der Anschlüsse auf dem Produkt und gemäß dieser Anleitung vorzunehmen.
 - Es ist darauf zu achten, dass keine Fremdkörper in das Ventil gelangen, um ein Blockieren der Ventilfunktion zu vermeiden. Verwenden Sie Dichtungsbund oder -mittel nur spärlich.
 - Die Ventile sind nur mit sauberer und trockener Luft oder mit neutralem Gas zu betreiben. Empfohlene Mindest-Filterfeinheit : 50 Mikron. Der Taupunkt des verwendeten Mediums muss mindestens -20°C (36°F) unterhalb der für das Medium zulässigen Mindesttemperatur liegen. Bei der Verwendung geölter Luft ist die Beständigkeit der verwendeten Dichtungsmaterialien zu überprüfen. Die durch die ANSI/ISA-Norm S7.3 (1975) festgelegte Qualität von Instrumentenluft übersteigt die erforderlichen Anforderungen und ist somit für diese Ventile zulässig.
 - Alle Entlüftungsanschlüsse der Magnet- und Pilotventile sind mit den mitgelieferten Schalldämpfern aus Edelstahl (siehe Nr. 3) zu schützen. Im Falle einer Verrohrung sind die Ventile mit einem geeigneten Filter zu versehen. Die Schalldämpfer sind am Anschluss 3 (3/2 NC) oder an den Anschlüssen 3 – 5 (5/2) der Ventile anzuschließen. Bei Verwendung eines anderen Entlüftungsschutzes als die mitgelieferten Schalldämpfer ist die Zuverlässigkeit der Ventile nicht mehr gewährleistet. In diesem Fall ist mit ASCO oder einem seiner Vertreter Rücksprache zu halten.
 - Max. Betriebsdruck:
 - 2 bis 10,4 bar
 - 2 bis 8 bar (195-LISC)

⚠ Im Falle, dass das Produkt mit einer verriegelbaren Handhilfsbetätigung ausgestattet ist, ist die Sicherheitsfunktion in der verriegelten Stellung nicht gewährleistet. Zur Herstellung der Sicherheitsfunktion ist darauf zu achten, dass die Verriegelung der Handhilfsbetätigung gelöst ist.

BESCHREIBUNG
Ausführungen nach ATEX 94/9/EG: Siehe „Besondere Bedingungen für den sicheren Einsatz“;
Hermetisch gegen Atmosphäre abgedichtete Ausführungen: Die Innenteile des Wegeschiebers sind hermetisch gegen Atmosphäre abgedichtet und somit vor dem Eindringen von aggressiven Medien geschützt. Die Entlüftungsanschlüsse können zum Schutz der Umgebung gefasst und abgeführt werden; dies wird insbesondere für Anlagen in empfindlichen Bereichen (z.B. in Labors oder der Pharma- und Nahrungsmittelindustrie) empfohlen. Bei einem Einsatz im Freien oder unter schwierigen Bedingungen (Staub, aggressive Medien oder andere Schutzpartikel) ist es notwendig, die Entlüftungsanschlüsse entweder zu fassen und abzuführen oder mit einem Schutz (z.B. Schalldämpfer) zu versehen, um die Innenteile des Wegeschiebers zu schützen.
BESONDERE BEDINGUNGEN FÜR DEN SICHEREN EINSATZ
 ATEX 94/9/EC: Nach Masse muss das Ventil angeschlossen werden (Abb. F).
 Lagerbedingungen: geschützt/lager; Temperatur: -40 C bis +70°C; relative Feuchtigkeit: 95 %
 Wenn der Ventil vor Inbetriebnahme länger gelagert wird, sollte er in der Originalverpackung aufbewahrt werden. Die Schutzabdeckungen an den Anschlussöffnungen und Magnetköpfen sollen nicht entfernt werden.
 Zimmertemperatur: -25°C (Aluminium), -40°C (Edelstahl) bis +60°C
 Die maximale Temperatur der Flüssigkeit hat die Umgebungstemperatur nicht übersteigt.
Nach einer Lagerung bei niedriger Temperatur müssen die Ventile vor der Druckbeaufschlagung nach und nach an die Betriebstemperatur angepasst werden.
 Falls die Serie 553 mit integriertem Pilot in Zone 1, Gruppe IIC verwendet wird, muss das Produkt vor Umgebungsluftströmung und Reibung geschützt werden, um eine elektrostatische Aufladung des Kunststoffgehäuses zu verhindern. Das Tragen trockener Kleidung und/oder Reiben auf der Oberfläche des Magnetkopfs sollte während Installation und Wartung vermieden werden.
 Die Ventile sind für den Betrieb innerhalb der auf den Typenschildern angegebenen Daten ausgelegt. Änderungen an den Produkten dürfen nur nach vorheriger Zustimmung des Herstellers oder einem seiner ordnungsgemäß ermächtigten Vertreter vorgenommen werden. Die Ventile sind für den Betrieb mit *neutralem Gas oder Luft, gefiltert, ausgelegt*. Der max. zulässige Ventildruck von 8/10,4 bar darf nicht überschritten werden. Beachten Sie den Mindeststaedruck von 2 bar. Der Einbau und die Wartung des Ventils ist von Fachpersonal auszuführen.
 • **Pneumatisch betätigte Ausführungen**, IP65 als Standard, oder Ausführungen in Übereinstimmung mit der **ATEX-Richtlinie 94/9/EG** für den Einsatz in dringenden Gasen, Dämpfen, Nebel und/oder Stäube verursachten explosionsfähigen Atmosphären. (Die Zonenerteilung für diese Version wird auf dem ATEX-Etikett, Nr. E2, angegeben.)
 E2/Schutzart: II 2GD IIC X Ta 60°C T85°C (T6)
 Die Einhaltung der grundlegenden Gesundheits- und Sicherheitsanforderungen wird durch die Übereinstimmung mit den Europäischen Normen **EN 13463-1** gewährleistet.
 • **Elektropneumatisch angesteuerte Ausführungen** mit Magnetköpfen:
 - Dichte Ausführung nach IP65 oder
 - nach der ATEX-Richtlinie 94/9/EG für explosionsfähige Atmosphären zugelassene Ausführung
 • **Ausführung mit integriertem Pilotventil**, IP65 als Standard, oder für den Einsatz in explosionsfähigen Atmosphären gemäß II 3D IP65 oder gemäß ATEX Ex m, em zugelassen.
 • **Ausführungen mit Magnetköpfen mit ASCO-Anschlussbild**, IP65 als Standard, oder für den Einsatz in explosionsfähigen Atmosphären gemäß II 3D IP65 oder gemäß ATEX/IECEx Ex d, m, em, ia zugelassen.
 • **Ausführungen mit Pilotventilen mit Aufflanschbild gemäß CNOMO E06.05.80 (Größe 30) oder CNOMO E06.36.120N (Größe 15)**, IP65 als Standard, oder Montage von Pilotventilen für den Einsatz in explosionsfähigen Atmosphären gemäß ATEX Ex d oder Ex ia zugelassen.
Wichtiger Hinweis (CNOMO-Pilotventile): Der Einsatz in den Zonen (ATEX 1999/92/EG) richtet sich in erster Linie nach den Angaben auf dem Etikett (Nr. E2) am Gehäuse

	INSTALLATIONS-UND WARTUNGSANWEISUNGEN Monostabile Magnetventile der Baureihe 553 für Sicherheitsanwendungen Gehäuse aus Aluminium oder Edelstahl, 1/2"-Gewinde - NAMUR, - entsprechend der IEC-Norm 61508 (SIL-Zulassung)	3/2 NC 5/2	DE

des Wegeventils.
 E2/Schutzart: II 2GD IIC X Ta 60°C T85°C (T6)
Beim Zusammenbau mit einem Pilotventil nach ATEX 94/9/EG sind die ungünstigste Kategorie und Temperatur sowie die ungünstigsten Betriebsdrücke anzunehmen. Die Einhaltung der grundlegenden Gesundheits- und Sicherheitsanforderungen wird durch die Übereinstimmung mit den Europäischen Normen **EN 13463-1** gewährleistet.
 Die in den Abb. 5/6/7/8/10 angegebene Montageposition für die Pilotventile sowie die Anziehdrehmomente sind zu beachten.
Für die Magnetköpfe und Pilotventile nach ATEX 94/9/EG sind die in den jeweiligen, dem Produkt beigelegten Einbau- und Wartungsanweisungen beschriebenen Einsatzvorschriften zwingend zu befolgen.
EINBAU
⚠ Ausführungen nach ATEX 94/9/EG: Alle Metallteile bzw. leitenden Teile sind miteinander zu verbinden und zu erten. Das Ventilgehäuse wird durch die Befestigungsschraube (Nr. F) geerdet. Die Wegeschieber können ohne Beeinträchtigung der Funktion in jeder beliebigen Einbaulage montiert werden.
1/2"-Gewinde (Abb. A, B):
 Montieren Sie den Wegeschieber mit zwei Schrauben (Nr. F); diese sind nicht im Lieferumfang enthalten.
Ausführung mit Aufflanschbild gemäß NAMUR (Abb. C, D):
 Vor der Montage des Wegeschiebers auf dem Antrieb ist das Gerät auf die gewünschte Funktion einzustellen:
 - Wählen Sie die für die Funktion 3/2 NC oder 5/2 bestimmte Adapterplatte aus (Nr. 1a oder 1b).
 - Stellen Sie sicher, dass die Funktionsdichtung vorhanden und korrekt eingeleigt ist (Nr. 7).
 - Befestigen Sie die Platte unter dem Ventil anhand der beiden mitgelieferten Schrauben. Beachten Sie dabei die Montagerrichtung: Die Nummer für die Funktion muss auf der Rückseite (Montagesicherung) platziert sein.
 - Montieren Sie die beiden O-Ringe (Nr. 9).
 - Platieren Sie, falls erforderlich, die Montagessicherung auf den Antrieb:
 • Bei der 3/2-Platte befindet sich die Montagessicherung Ø 5 bei A3/A1.
 • Bei der 5/2-Platte befindet sich die Montagessicherung Ø 5 bei A3/A2.
PNEUMATISCHER ANSCHLUSS
 Je nach Version 3/2 NC oder 5/2 sind ein bzw. zwei Schalldämpfer aus Edelstahl im Lieferumfang enthalten, die in jedem Fall zu montieren sind.
 • **Anschluss der pneumatisch betätigten Ansteuerung**
 - G 1/4 oder NPT 1/4.
 • **Anschluss der Vorsteuerentlüftungen**
 - Entlüftungsanschluss OM5, G 1/8 oder NPT 1/8 anschließen.
 • **Handhilfsbetätigung (Nr. 10)**
 Je nach Ausführung werden die Produkte für den spannungslosen Betrieb **ohne Handbetätigung oder mit impulsbetätigter Handbetätigung** geliefert.
 • **Allgemeine Empfehlungen für den pneumatischen Anschluss** Die Rohrleitungen sind ordnungsgemäß abzuzustützen und anzuordnen, um eine mechanische Fehlbeanspruchung des Wegeschiebers zu vermeiden. Das Ventil darf nicht als Gegenhalter benutzt werden. Das Werkzeug ist so nahe wie möglich am Anschlusspunkt anzusetzen. Um Schäden zu vermeiden, dürfen die Rohrverbindungen nicht zu stark angezogen werden.
 • **1/2"-Gewindeanschluss (Abb. A, B):**
Anschluss des Wegeschiebers:
 Die Verrohrung ist entsprechend den Hinweisen auf dem Etikett anzuschließen.
 - **Funktion 3/2 NC:**
 Druckbeaufschlagung über Anschluss 1 (1/2). Verbraucher über Anschluss 2. Entlüftung über Anschluss 3 (1/2).
 - **Funktion 5/2:**
 Druckbeaufschlagung über Anschluss 1. Verbraucher über Anschlüsse 2 und 4. Die Entlüftungen sind in den Anschlüssen 3 und 5 zusammengefasst.
 • **Ausführungen mit Aufflanschbild gemäß NAMUR (Abb. C, D):**
Anschluss des Wegeschiebers:
 Die Verrohrung ist entsprechend den Hinweisen auf dem Etikett anzuschließen.
 - **Funktion 3/2 NC:**
 Druckbeaufschlagung über Anschluss 1 (1/2). Verbraucher über Anschluss 2. Entlüftung über Anschluss 3 (1/2).

Die Entlüftung der Rückstellfederkammern des einfachwirkenden Antriebs ist im anschließbaren Anschluss 3 des Wegeschiebers zusammengefasst. Es wird empfohlen, den (nicht verwendeten) Anschluss 5 mit einem Schutz zu versehen, **ohne dabei den Anschluss zu verschließen.**
- Funktion 5/2:
 Druckbeaufschlagung über Anschluss 1 (oder 1/2). Verbraucher über Anschlüsse 2 und 4. Die Entlüftungen sind in den Anschlüssen 3 und 5 (oder 1/2) zusammengefasst.
ELEKTRISCHER ANSCHLUSS
Vor Beginn jeglicher Arbeiten ist sicherzustellen, dass die Komponenten spannungslos geschaltet sind.
 Alle Schraubklemmen sind vor der Inbetriebnahme mit dem entsprechenden Drehmoment anzuziehen.
 Stellen Sie die Verbindung zur Erde für die Versionen > 48 V.
 • **Wasserdichte Ausführung IP65** mit integrierter Vorsteuerung (Abb. A):
 Magnet am Führungsrohr montieren (um 360° umsetzbar) und anschließend die abnehmbare Leitungsdose nach ISO 4400/EN 175301-803A (Kabel-Ø: 10 mm), um 90° umsetzbar (3 Pins: 2 = Erde).
 • **Ausführung mit Magnetköpfen mit ASCO-Anschlussbild:** Siehe die zusätzlichen, jedem Magnetkopf beigelegten Installationsanweisungen.
 • **Ausführung mit CNOMO-Anschlussbild:** Siehe die zusätzlichen, jedem Pilotventil beigelegten Installationsanweisungen.
 • **Allgemeine Empfehlungen**
 Der elektrische Anschluss ist von Fachpersonal entsprechend den geltenden Normen und Richtlinien auszuführen.
ACHTUNG:
 - Je nach Spannungsbereich müssen elektrische Komponenten einen Schutzleiteranschluss entsprechend den jeweils vor Ort geltenden Normen und Vorschriften erhalten.
 Die meisten Ventile sind mit Magneten für Dauerbetrieb ausgerüstet. Zur Vermeidung von Personen- und Sachschäden sollte jede Berührung mit dem Magnet vermieden werden, da dieser bei längerem Betrieb heiß werden kann. Bei leicht zugänglichem Magnetventil sollte vom Installateur ein Schutz vorgesehen werden, um jegliches versehentliches Berühren zu vermeiden.
WARTUNG
⚠ Um Personen- und Sachschäden zu vermeiden, muss vor der Wartung oder Inbetriebnahme die Versorgung des Ventils unterbrochen sowie das Ventil drucklos geschaltet und entlüftet werden.
Ausführungen nach ATEX: Bei der Wartung sind die Bestimmungen der Richtlinie 99/92/EG und zugehörige Normen zwingend einzuhalten.
Ausführungen nach ATEX: Bei der Wartung sind die Bestimmungen der Richtlinie 99/92/EG und zugehörige Normen zwingend einzuhalten.
 • **Reinigung**
 Die Wartung der Ventile hängt von den jeweiligen Einsatzbedingungen ab. Sie sollten in regelmäßigen Abständen gereinigt werden. Während des Reinigungsvorgangs sollten alle Teile auf Verschleiß untersucht werden. Eine Reinigung ist notwendig, wenn sich die Schallfrequenz bei korrektem Vorsteuerdruck verlangsamt oder wenn ungewöhnliche Geräusche oder Undichtigkeiten festgestellt werden.
 • **Geräuschemission**
 Diese hängt sehr stark vom Anwendungsfall, den Betriebsdaten und dem Medium, mit denen das Produkt beaufschlagt wird, ab. Eine Aussage über die Geräuschemission des Produktes muss deshalb von demjenigen getroffen werden, der das Produkt innerhalb einer Maschine in Betrieb nimmt.
 • **Vorbeugende Wartung**
 - Setzen Sie das Ventil zur Überprüfung der Öffnungs- und Schließfunktion mindestens einmal im Monat in Betrieb.
 - Treten Schwierigkeiten beim Einbau oder bei der Wartung auf sowie bei Unklarheiten ist mit ASCO Numatics oder deren zugelassenen Vertretern Rücksprache zu halten.
 • **Fehlerbeseitigung**
 - **Falscher Ausgangsdruck:** Überprüfen Sie den Druck am Eingang des Ventils; er muss mit den zulässigen Werten auf dem Typenschild übereinstimmen.
Beachten Sie den Mindeststaedruck von 2 bar.
 Um Personen- und Sachschäden zu vermeiden, prüfen Sie vor der Wiedereinbetriebnahme die richtige Funktionsweise des Ventils.
 • **Ersatzteile**
 Die Magnetspule ist als Ersatzteil erhältlich.
 Tauschen Sie, falls erforderlich, das gesamte Ventil aus.

ASCO	ISTRUZIONI DI INSTALLAZIONE E MANUTENZIONE Distributori monostabili SERIE 553 per applicazioni di sicurezza corpi in alluminio o in acciaio inox, filettati 1/2-NAMUR, secondo la norma EI 61508 (Suffisso «SL.»)	3/2 NC 5/2	IT
-------------	---	-----------------------------	-----------

DESCRIZIONE DELLA CERTIFICAZIONE

Versioni interessate dalla presente certificazione:
Solo Serie 553, corpi in alluminio o acciaio inox, monostabile (molla di ritorno), versione 3/2 NC (normalmente chiusa) o 5/2, versioni stagne all'atmosfera. Versioni senza comando manuale o con comando manuale a impulso:
- con recordo filettato 1/2 (Non connettere l'ingresso della pressione alla porta di scarico 3. La costruzione "a protezione dell'ambiente" non è adatta da una funzione di "distribuzione" o a un impiego senza NESSUNA funzione. Mettersi in contatto con noi per le funzioni disponibili in versioni specifiche)
- con piano di posa secondo raccomandazioni NAMUR per adattamento diretto su attuatore pneumatico a semplice effetto (funzione 3/2 NC) o doppio effetto (funzione 5/2). Uno stesso distributore si adatta alle due funzioni con il posizionamento sulla parte inferiore di una delle due piastre interfaccia 3/2 NC o 5/2 fornite (fig. C e D, rif. 1a e 1b). **(Non connettere l'ingresso della pressione alla porta di scarico 3. La costruzione "a protezione dell'ambiente" non è adatta a un impiego senza NESSUNA funzione. Mettersi in contatto con noi per le funzioni disponibili in versioni specifiche)**
L'utilizzo di altri prodotti è proibito e non è contemplato dalla presente certificazione.
La norma CEI 61508 descrive un pacchetto di requisiti generali per ciascuna fase del ciclo di vita dei sistemi di sicurezza. L'analisi di affidabilità eseguita dall'EXIDA ha dimostrato che questi distributori ed elettrodistributori possono essere utilizzati nell'ambito di un sistema di gestione della sicurezza (SRS) fino a e incluso il livello SIL2, con un HFT=0 e fino a e incluso il livello SIL 3, con un HFT=1, con il livello di HFT richiesto basato secondo il percorso 2H, in conformità alla norma CEI 61508-2 : 2010.
La sintesi dei risultati di prova ed i dati di affidabilità si trovano alle pagine 35 e 36 di questo stesso documento. Per l'installazione, la manutenzione e la messa in opera e in servizio di queste valvole, è preconizzato l'utilizzo del Manuale di sicurezza (V9629), che si trova disponibile sul sito web «www.asconumatics.eu». Tutte le indicazioni e le prescrizioni presenti nelle istruzioni generali di installazione e manutenzione sono la base dei documenti soprannominati. Per garantire l'affidabilità, è necessario altresì rispettare le prescrizioni aggiuntive descritte di seguito.
- Raccordare le tubazioni secondo le funzioni desiderate, tenendo conto dei riferimenti delle vie marcati sul prodotto e nella presente documentazione. (pagina ...)
- Controllare che nessun corpo estraneo penetri all'interno del circuito, onde evitare il blocco della valvola. Limitare l'utilizzo di nastro o pasta per tenute.
- I distributori ed elettrodistributori devono essere utilizzati solo con aria pulita e secca o con gas neutro. Si raccomanda un filtraggio minimo di 50 micron. Il punto di rugiada dei fluidi deve essere di almeno -20°C (36°F) al di sotto della temperatura minima a cui i fluidi possono essere esposti. Se viene usata aria lubrificata, il lubrificante deve essere compatibile con gli elastomeri usati. La qualità dell'aria nello strumento definita dalla norma ANSI/ISA S7.3(1975) supera i requisiti ed è pertanto un supporto accettabile per queste valvole.
- Proteggere la via o le vie di scarico dei distributori e dei piloti mediante le protezioni di scarico in acciaio inox fornite con ciascun prodotto (vedi rif. 3). Nel caso in cui si preferisca utilizzare le tubazioni, proteggerle mediante uno o più filtri adattati. Per il distributore, raccordare tali protezioni alla connessione 3 (3/2 NC) o alle connessioni 3 - 5 (5/2). L'affidabilità della valvola non sarà garantita qualora si utilizzino mezzi di protezione di scarico diversi da quelli forniti. In tal caso, si prega di contattare ASCO o uno dei suoi rappresentanti autorizzati.
- Campo di pressione massimo di funzionamento:
- da 2 a 10,4 bar
- da 2 a 8 bar (195-LISC)

⚠ Nel caso di un prodotto dotato di un comando manuale di sbarramento, la funzione di sicurezza del prodotto non è più assicurata quando il comando in questione è attivato. Non dimenticare di disattivare lo sbarramento, allo scopo di rimettere il prodotto nella sua configurazione di sicurezza.

DESCRIZIONE

Versioni ATEX 94/9/CE : Vedere "condizioni speciali per

un utilizzo sicuro".

Versioni stagne all'atmosfera: I componenti interni del distributore sono isolati dall'atmosfera esterna, quindi protetti dagli ambienti aggressivi. Tutte le vie di scarico se canalizzate, assicurano una migliore protezione dagli ambienti aggressivi, particolarmente raccomandata per installazioni in zone sensibili come le sale bianche, industrie farmaceutiche o agro-alimentari. E' necessario canalizzare o predisporre gli scarichi per proteggere i componenti interni del distributore in caso di utilizzo all'esterno o in ambiente difficile (polveri, liquidi o altri agenti).

CONDIZIONI SPECIALI PER UN UTILIZZO SICURO

ATEX 94/9/CE: Il distributore deve avere la messa a terra (rif. F). Condizioni di stoccaggio: al riparo dalle intemperie; temperatura: da -40 C a +70°C; umidità relativa: 95 %
In caso di stoccaggio prolungato prima della messa in servizio, il distributore deve restare nel suo imballaggio d'origine. Gli elementi di protezione delle vie di raccordo e delle teste magnetiche devono rimanere al loro posto.
Temperatura ambiente: -25°C (alluminio), -40 C (acciaio inox) a +60°C
La temperatura max del fluido non deve superare la temperatura ambiente.
Dopo uno stoccaggio a bassa temperatura, i distributori devono essere riportati **progressivamente** alla temperatura ambiente di funzionamento prima di essere messi in pressione per la prima volta. Nel caso che, nella Zona 1, Gruppo IIC, si utilizzi la serie 553 con pilota integrato, il prodotto deve essere protetto dal flusso dell'aria ambientale e dalla frizione, allo scopo di prevenire un carico elettrostatico sull'involucro di materiale sintetico. Il fatto di indossare capi d'abbigliamento secchi e/o la frizione sulla superficie della testa magnetica devono essere evitati durante le fasi d'installazione e manutenzione.
I distributori sono progettati per i campi di funzionamento indicati sulla etichetta di segnalazione. Nessuna modifica può essere apportata sui materiali senza il previo accordo del fabbricante o dei suoi rappresentanti. **Questi elettrodistributori sono previsti per funzionare con aria o gas neutri filtrati.** Non superare la pressione max ammessa = 8/10,4 bar. La messa in servizio e la manutenzione di questi prodotti devono essere effettuati da personale competente.

• Versioni a comando pneumatico standard IP65 o previste per atmosfere pericolose come gas, vapori, nebbie e polveri secondo la direttiva **ATEX 94/9/CE**. (La classificazione delle zone di questa versione è definita nell'etichetta ATEX, rif. E2).
E2/Modo di protezione: Il 2GD IIC X Ta 60°C T85°C (T6)
Il rispetto dei requisiti essenziali in materia di sicurezza e salute è assicurata dalla conformità alle norme europee **EN 13463-1**.
• Versioni a comando elettropneumatico, dotate di teste magnetiche:
- protezione IP65 oppure
- omologate per atmosfere pericolose secondo Direttiva ATEX 94/9/CE

• **Versioni con pilota integrato**, standard IP 65 o per atmosfere pericolose Il 3D IP65 o ATEX Ex m, em.
• **Versioni con teste magnetiche secondo piano di posa ASCO**, standard IP65 oppure per atmosfere pericolose, Il 3D IP65 oppure ATEX/IECEx Ex d, m, em, ia.
• **Versioni con piloti, secondo piano di posa CNOMO E06.05.80 (taglia 30) oppure CNOMO E06.36.120N (taglia 15)**, standard IP65 oppure montaggio di piloti per atmosfere pericolose ATEX Ex d o Ex ia.

Attenzione (piloti CNOMO): l'installazione in zone (ATEX 1999/92/CE), è determinato in via prioritaria dalla marcatura indicata sull'etichetta (rif. E2) situata sul corpo del distributore.
E2/Modo di protezione: Il 2GD IIC X Ta 60°C T85°C (T6)
Considerare la categoria, pressione massima di funzionamento e la temperatura meno favorevoli quando si monta un gruppo con pilota ATEX 94/9/CE. Il rispetto dei requisiti essenziali in materia di sicurezza e salute è assicurato dalla conformità alle norme europee **EN 13463-1**. Rispettare il senso di montaggio dei piloti indicato nelle figure da 5/6/7/8/10 e le coppie di serraggio indicate.

Per le teste magnetiche ed i piloti ATEX 94/9/CE, seguire

ASCO	ISTRUZIONI DI INSTALLAZIONE E MANUTENZIONE Distributori monostabili SERIE 553 per applicazioni di sicurezza corpi in alluminio o in acciaio inox, filettati 1/2-NAMUR, secondo la norma EI 61508 (Suffisso «SL.»)	3/2 NC 5/2	IT
-------------	---	-----------------------------	-----------

tassativamente le istruzioni per l'uso riportate nelle rispettive avvertenze specifiche per la messa in servizio fornite con il prodotto.

MONTAGGIO

⚠ Versioni ATEX 94/9/CE: Accertarsi che tutte le parti metalliche o conduttrici siano sempre interconnesse e messe a terra. La messa a terra del corpo del distributore si esegue montando la vite di fissaggio (rif. F).
I distributori possono essere montati in qualsiasi posizione.
• **Versioni filettate 1/2 (fig. A, B):**
Montare i distributori servendosi di due viti (rif. F), non comprese nella fornitura.
• **Versioni con piano di posa NAMUR (fig. C, D):**
Prima di montare il distributore sull'attuatore, adattare il componente alla funzione scelta:
- Selezionare la piastra interfaccia sulla funzione desiderata 3/2 NC o 5/2 (fig. 2, rif. 1a o 1b).
- Verificare la presenza e l'inserimento corretto della guarnizione sagomata (fig. 2, rif. 7).
- Assemblare piastra e distributore con le 2 viti fornite, rispettando il senso di montaggio: il riferimento della funzione deve essere posizionato lato ritorno (spina di riferimento)
- Montare le due guarnizioni OR (fig. 2, rif. 9).
- Posizionare, se necessario, la spina di riferimento sull'attuatore:
• Sulla piastra 3/2, la spina di riferimento Ø 5 è situata in A3/A1.
• Sulla piastra 5/2, la spina di riferimento Ø 5 è situata in A3/A2.

RACCORDO PNEUMATICO

A seconda della versione 3/2 NC o 5/2, con i prodotti vengono fornite una o due protezioni di scarico in acciaio inox, da adattare di volta in volta.
• **Raccordo di pilotaggio pneumatico:**
G 1/4 o NPT 1/4
• **Raccordo degli scarichi di pilotaggio**
- Raccordare la via di scarico O/M5, G1/8-NPT1/8
• **Comando manuale (rif. 10)**
A seconda delle versioni, i prodotti sono forniti con o senza comando manuale a impulso, per il funzionamento senza tensione.

• **Raccomandazioni generali per il raccordo pneumatico**
Raccordare le tubazioni secondo le funzioni desiderate, tenendo conto dei riferimenti delle vie marcati sul prodotto e nella presente documentazione.
Controllare che nessun corpo estraneo penetri nel circuito. Supportare ed allineare correttamente le tubazioni, per evitare qualsiasi sollecitazione meccanica sul distributore. Serrando non servirsi dell'apparecchio come se fosse una leva; posizionare le chiavi di serraggio il più vicino possibile al punto di raccordo. Per evitare qualsiasi guasto, NON SERRARE TROPPO i raccordi delle tubazioni.

• **Versioni filettate 1/2 (fig. A, B):**
• **Raccordo del distributore: 1/2**
Collegare le tubazioni secondo i riferimenti indicati sull'etichetta.
- Funzione 3/2 NC:
Ingresso della pressione attraverso la via 1. Utilizzo attraverso la via 2.
Scarico attraverso la via 3
- Funzione 5/2:
Ingresso della pressione attraverso la via. Utilizzo attraverso le vie 2 e 4.
Gli scarichi sono incanalati verso le vie 3 e 5.

• **Versioni con piano di posa NAMUR (fig. C, D):**
• **Raccordo del distributore: 1/2**
Collegare le tubazioni secondo i riferimenti indicati sull'etichetta.
- Funzione 3/2 NC:
Ingresso della pressione attraverso la via 1. Utilizzo attraverso la via 2.
Scarico attraverso la via 3. Lo scarico dalle camere delle molle di ritorno dell'attuatore a semplice effetto è canalizzato attraverso il distributore verso la connessione 3 raccordabile. Si raccomanda di non toccare la connessione 5 (se non utilizzata).
- Funzione 5/2:
Ingresso della pressione attraverso la via. Utilizzo attraverso le

vie 2 e 4.
Gli scarichi sono incanalati verso le vie 3 e 5 (1/2).
CONNESSIONE ELETTRICA

• **Versione stagna IP65 (fig. A):** Montare la bobina sul carnotto (orientabile a 360°). Connettore disinnestabile secondo ISO 4400 / EN 175301-803, form A (se installato correttamente, la classe di protezione di questo connettore è IP65).

• **Versione a testa magnetica interfaccia ASCO:** fare riferimento alle istruzioni d'installazione complementari fornite con ciascuna testa magnetica.

• **Versione a piano di posa CNOMO:** fare riferimento alle istruzioni d'installazione complementari fornite con ciascun pilota.

• **Raccomandazioni generali**
Il collegamento elettrico deve essere realizzato da personale qualificato e secondo le norme ed i regolamenti in vigore.

Attenzione:
- Prima di qualsiasi intervento, escludere l'alimentazione elettrica per mettere i componenti fuori tensione.
- A seconda della tensione, i componenti elettrici devono essere messi a terra in conformità alle norme ed i regolamenti locali. La maggior parte dei distributori hanno bobine previste per messa in tensione permanente. Per evitare bruciature, non toccare la testa magnetica che, in funzionamento normale e permanentemente sotto tensione, può raggiungere una temperatura elevata. Se l'elettrovalvola è facilmente accessibile, l'installatore deve prevedere una protezione della testa magnetica.

MANUTENZIONE

⚠ Prima di qualsiasi operazione di manutenzione o di messa in funzione, escludere l'alimentazione del distributore, depressurizzare e spurgare per evitare qualsiasi rischio di incidente a cose o persone.
Versioni ATEX : in fase di manutenzione seguire tassativamente le raccomandazioni della direttiva 99/92/CE e norme associate.

• **Pulizia**
La manutenzione dei distributori varia secondo le loro condizioni di impiego. Se necessario, procedere ad una pulizia periodica. Quando si esegue un intervento, si devono esaminare i componenti per individuare i punti troppo usurati. E' necessaria una pulizia quando si osserva un rallentamento della cadenza, pur essendo corretta la pressione di pilotaggio o quando si sente un rumore anormale o si constata una fuga.

• **Rumore di funzionamento**
L'utente potrà determinare con precisione il livello sonoro ammesso solo dopo avere montato il componente sull'installazione. Il rumore di funzionamento varia secondo l'uso, il fluido ed il tipo di materiale.

• **Manutenzione preventiva**
- Fare funzionare il distributore almeno una volta al mese per verificarne l'apertura e la chiusura.
- In caso di problema al montaggio o alla manutenzione o in caso di dubbio, contattare ASCO Numatics o i suoi rappresentanti ufficiali.

• **Consigli per la riparazione**
Pressione di uscita anomala: verificare la pressione all'entrata del distributore; deve corrispondere ai valori ammessi sull'etichetta dati.

Attenzione. Rispettare i valori minimi di pressione di pilotaggio: 2 bar.

Per evitare qualsiasi rischio d'incidente a cose o persone, verificare che il distributore funzioni correttamente prima di rimetterlo in servizio.

• **Ricambio**
La bobina viene proposta come parte di ricambio. Se necessario, sostituire l'elettrodistributore o il distributore completo.

	INSTALLASJONS-OG VEDLIKEHOLDNINGSTRUKSER Serie 553 monostabile spoleventiler Hus av aluminium eller rustfritt stål, 1/2" gjengete porter-NAMUR grensesnitt, i h.h.t. IEC standard 61508 (SIL)	3/2 NC 5/2	NO
	Beskrivelse av godkjennelsen		

BESKRIVELSE AV GODKJENNELSEN
 Versjoner som godkjennelsen gjelder:
 Kun serie 553, hus av aluminium eller rustfritt stål, monostabil (fjærretur), 3/2 NC (normalt lukket) funksjon eller 5/2, versjon isolert fra utvendig atmosfære. Versjoner uten manuell overstyring eller med manuell overstyring av impulsfunksjonen.

- med 1/2" gjenget kobling (Ikke koble trykktilførselen til utblåsningssåpning 3. Den "miljøvennlige" konstruksjonen er ikke tilpasset en "distribusjons"-funksjon eller bruk i NO-funksjon. Ta kontakt med oss for funksjon tilgjengelig i spesifikke c-versjoner)

- med NAMUR-grensesnitt for direkte montering på enkeltløps (funksjon 3/2 NC) eller dobbeltløps (funksjon 5/2) trykkluftregulatorer. Ventilens funksjon kan konverteres fra 3/2 NC til 5/2 ved å montere den medfølgende 13/2 NC eller 5/2 grensesnittplaten på bunnen av ventil (fig. C og D, se 1a og 1b). (Ikke koble trykktilførselen til utblåsningssåpning 3. Den "miljøvennlige" konstruksjonen er ikke tilpasset NO-funksjon. Ta kontakt med oss for funksjon tilgjengelig i spesifikke c-versjoner)

Bruk av noe annet produkt er forbudt og omfattes ikke av denne godkjennelsen.

IEC-standard 61508 beskriver et sett med generelle krav for hver fase i livssyklusen til et sikkerhetssystem. Analysen av driftsikkerheten utført av EXIDA viste at disse fordelene og elektrofordelene kan brukes i et sikkerhetsstyringsystem (SRS) til og med nivået SIL 2 med en HFT = 0 og til og med nivået SIL 3 med en HFT = 1, med et obligatorisk HFT-nivå basert på rute 2H i henhold til normen IEC 61508-2: 2010.

Sammendraget av testresultatene og driftsikkerhetsdata er angitt på side 35-36 i dette dokumentet. Når det gjelder installasjon, vedlikehold, testing og idriftsettning av disse ventilene anbefales det å slå opp i sikkerhetskåpningen (V9629) som er tilgjengelig på nettstedet

«www.asconumatics.eu». Alle indikasjoner og bestemmelser i de generelle installasjons- og vedlikeholdningsinstruksene utgjør grunnlaget for dokumentene nevnt ovenfor. For å sikre påliteligheten må alle tilleggbestemmelser som angis nedenfor også følges.

- Kobling av rør for de påkrevde funksjonene må skje i samsvar med denne dokumentasjonen og portmerkene på produktet. (side ...)

- For å forhindre blokkering av ventilfunksjonen må du sørge for at det ikke kommer fremmedlegemer inn i kretsen. Bruk av tetningsstape eller tetningsmiddel bør begrenses til et minimum. - Disse ventilene er beregnet for bruk i forbindelse med ren og tørr luft eller uavviks (inert) gass. Anbefalt minimumsfiltrering: 50 mikron. Væskens duggpunkt må være minst -20°C (36°F) lavere enn minstemperaturen som væsken kan bli eksponert for. Når det brukes oljeholdig luft, må smøremiddelet være kompatibel med elastomerene (elastiske kunststoffer) som benyttes. Instrumentluft som er i samsvar med ANSI/ISA-standard S7.3 (1975) overskrider de nødvendige kravene og er derfor en akseptabel væske for disse ventilene.

- Alle utblåsningssporter på ventilene og pilotene må være beskyttet med utblåsningssvern av rustfritt stål som følger med produktet (se rep. 3). Når de brukes i rørbkobling må ventilene beskyttes med passende filter(e). Disse utblåsningssvernene kobles til ventilenes port 3 (3/2 NC) eller port 3 - 5 (5/2). Ventilens pålitelighet kan ikke garanteres hvis det brukes et annet utblåsningssvern enn det som følger med produktet. Hvis så likevel gjøres, vennligst ta kontakt med ASCO eller en av våre autoriserte representanter.

- Maksimalt arbeidstrykk:
 - 2 til 10,4 bar
 - 2 til 8 bar (195-LISC)

⚠ Ved produkter utstyrt med en manuell betjening med lås utføres ikke sikkerhetsfunksjonen når betjeningen er aktivert. Ikke glem å låse den opp for å sette produktet tilbake i opprinnelig sikkerhetskonfigurasjon.

	INSTALLASJONS-OG VEDLIKEHOLDNINGSTRUKSER Serie 553 monostabile spoleventiler Hus av aluminium eller rustfritt stål, 1/2" gjengete porter-NAMUR grensesnitt, i h.h.t. IEC standard 61508 (SIL)	3/2 NC 5/2	NO
	Beskrivelse av godkjennelsen		

standardene EN 13463-1.
 Monteringsstillingene for styreventiler som vist i figur 5/6/7/8/10 og de angitte tilstrammingsmomentene, må etterfølges.

Når det gjelder spoleoperatører og styreventiler i henhold til ATEX 94/9/EC, må man strengt holde seg til bruksanvisningen gitt i de spesifikke installasjonsinstruksene som kommer sammen med produktet.

⚠ **MONTERING**
ATEX 94/9/EC-versjoner: Sorg for at alle metall- eller ledende deler alltid er innbyrdes tisluttet og jordet. Ventilhuset er jordet med festeskruen (se F). Ventilene kan monteres i en hvilken som helst stilling.

Gjengete 1/2" porter (fig. A, B):
 Monter ventilen med to skruer (se F) (følger ikke med).

Versjoner med NAMUR-grensesnitt (fig. C, D):
 For spoleventilen monteres på styringen, må den innstilles for den påkrevde funksjon:

- Velg det grensesnittet som korresponderer med den påkrevde funksjon: 3/2 NC eller 5/2 (se 1a eller 1b).
- Påse at pakningen er riktig tilpasset (se 7).
- Monter grensesnittet under spoleventilen med de to medfølgende skruene. Påse at indikeringen for funksjonen befinner seg på retursiden (polariseringssporet).
- Sett inn de to O-ringene (se 9).
- Om nødvendig, sett styrepinnen på styringen:
- På 3/2 NC-funksjonsplaten: Ø 5-hullet er ved A3/A1.
- På 5/2-funksjonsplaten: Ø 5-hullet er ved A3/A2.

TRYKKLUFTTILKOBLING
 Avhengig av versjon (3/2 NC eller 5/2) må man benytte en eller begge de medfølgende utblåsningsskyttelsene av rustfritt stål.

• **Tilkobling av spoleventiler med luftstyring:**
 G 1/4 eller NPT 1/4.

• **Tilkobling av styreventilens utblåsningsrør**
 - Tilkoble QM5, G1/8-NPT1/8-utslippporten

• **Manuell overstyring** (se 10)
 Avhengig av versjon, leveres produktene uten manuell overstyring eller med manuell overstyring av impulsfunksjonen for drift uten strøm.

• **Generelle anbefalinger for tilkobling av trykkluft**
 Koble rørene for de påkrevde funksjonene i samsvar med denne dokumentasjonen og portmerkene på produktet. Sorg for at det ikke kommer fremmedlegemer inn i systemet. Rørene må støttes og justeres for å forhindre mekanisk belastning på ventilen. Når du strammer må du ikke bruke ventilen som bremstang. Sett skrunøkler så nær tilkoblingspunktet som mulig. For å unngå skade på utstyret må rørboblingene IKKE TREKKES TIL FOR STRAMT.

• **Versjoner med gjengede porter 1/2** (fig. A, B):

• **Tilkobling av spoleventil:**
 Koble rørene til som anvist på merket:
 - **3/2 NC-funksjon:**
 Trykkinntak gjennom port 1 (1/2). Trykkutgang gjennom port 3 (1/2).

- **5/2-funksjon:**
 Trykkinntak gjennom port 1. Trykkutgang gjennom port 2 og 4.
 Utblåsning kanaliseres gjennom ventilen til port 3 og 5.

• **Versjon med NAMUR-grensesnitt** (fig. C, D):

• **Tilkobling av spoleventilen:**
 Koble rørene som vist på merkelappen:
 - **3/2 NC-funksjon:**
 Trykkinntak ved port 1 (1/2). Trykkutgang ved port 2.

Utslippport 3 (1/2). Utslipp fra returstyrings fjærkamre i den enkeltvirkende versjonen, er kanalisert gjennom ventilen til 1/2 port 3. Det anbefales å beskytte port 5 (dersom den ikke er i bruk) - **tilstoppe den ikke.**

- **5/2-funksjon:**
 Trykkinggang ved port 1 (1/2). Trykkutgang ved port 2 og 4. Utslippene er kanalisert gjennom ventilen til portene 3 og 5 (1/2).

ELEKTRISK TILKOBLING
Før eventuelle inngrep må du slå av strømmen slik at komponentene slås av.

Alle batteriklemmer må strammes til i riktig dreiemoment for å gjenkjøre.

Gjør tilkoblingen til jorden for versjoner > 48 V.
 • **IP65-forseglet versjon med integrert styreventil (fig. A):**
 - Sett spolen på røret (360° dreibar) og deretter:
 - Los kabling i henhold til ISO 4400 / EN 175301-803, form A (når den er korrekt montert gir denne kontakten IP-65-vern).

• **Versjon uten spoleholder med ASCO-grensesnitt:**
 Se ytterligere installasjonsinstruks som følger med hvert spolehode.

• **Versjon med CNMO monteringspute:**
 Se ytterligere monteringsinstruks som følger med hver styreventil.

• **Generelle anbefalinger:**
 Elektriske koblinger må gjøres av kvalifisert personell og i henhold til gjeldende lokale standarder og forskrifter. Forsiktig:

- Avhengig av spenningen må elektriske komponenter være jordet i henhold til lokale standarder og forskrifter. De fleste ventiler er utstyrt med spoler beregnet på kontinuerlig drift. For å redusere risikoen for personskade må man ikke berøre spoleoperatøren, som kan bli varm under normale driftsforhold. Hvis ventilen er lett tilgjengelig, må installatøren sette opp vern som forhindrer tilfeldig kontakt med spoleoperatøren.

• **VEDLIKEHOLD**
 ⚠ **Før eventuelt vedlikeholdsarbeid eller før ventilen settes i drift, skal den slås av, trykket skal tas ut og ventilen ventileres for å redusere risikoen for skade på personer eller utstyr.**
ATEX-versjoner: Alle prosedyrer anbefalt av Alle prosedyrer som anbefales av direktiv 99/92/EC og tilknyttede standarder må følges nøye.

• **Rengjøring**
 Vedlikehold av ventilene avhenger av driftsforholdene. De må rengjøres regelmessig. Under service bør komponentene kontrolleres for graden av slitasje. Komponentene må rengjøres når man merker en nedgang i takten, selv om trykket i styreventilen er korrekt, eller hvis det oppdages uvanlig støy eller det oppstår lekkasje.

• **Støy**
 Støynivået avhenger av bruksområdet, mediet og typen utstyr som brukes. Nøyaktig fastsettelse av støynivået kan bare gjøres av brukeren når han ventilen installerer i sitt system.

• **Forebyggende vedlikehold**
 - Bruk ventilen minst én gang i måneden for å kontrollere funksjonaliteten.

- Hvis det oppstår problemer under vedlikehold eller hvis du er i tvil, vennligst ta kontakt med ASCO Numatics eller en av våre autoriserte representanter.

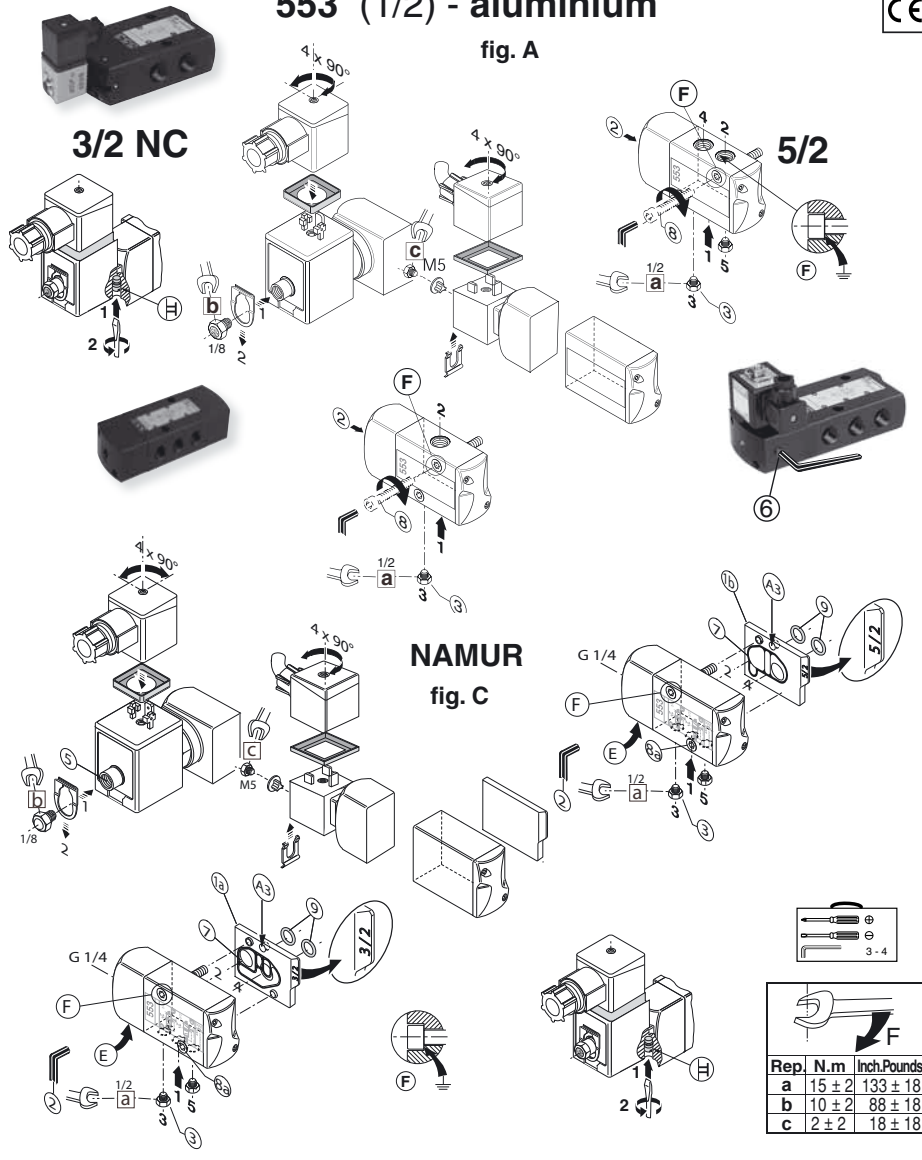
• **Feilsøking**
 - Feil utgangstrykk: Kontroller trykket på ventilens tilførsels-side. Det må tilsvare verdiene som fremgår av navneplaten. Forsiktig: du må overholde minimumsverdien for styreventilen på 2 bar.

For å unngå skade på personer eller utstyr må du kontrollere at ventilen fungerer som den skal før du setter den tilbake i bruk.

• **Reservedeler**
 Spoler er tilgjengelige som reservedeler. Hvis nødvendig, skifter du ut hele ventilen.

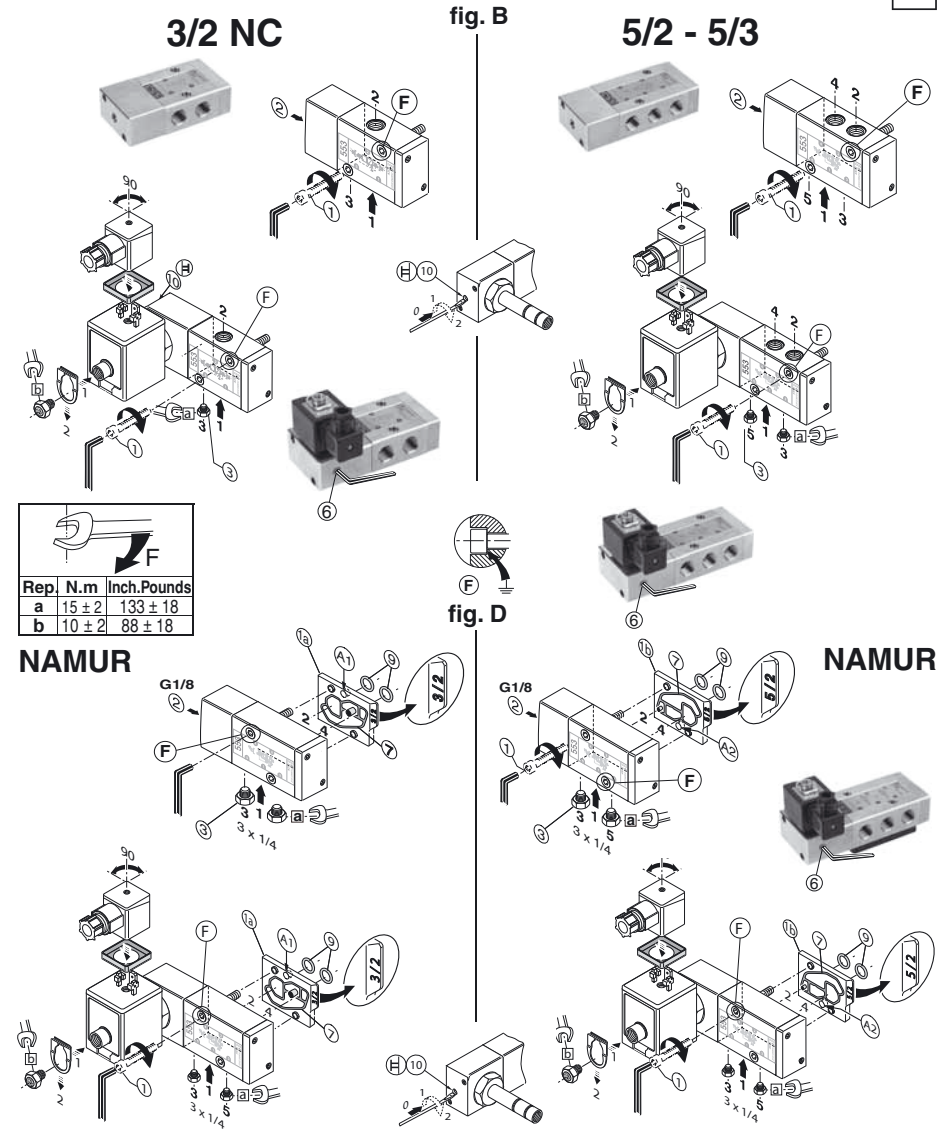
ASCO	DRAWINGS	GB	DESSINS	FR	ZEICHNUNGEN	DE
	DIBUJO	ES	DISEGNO	IT	TEKENING	NL
	TEGNINGER	NO	RITNINGAR	SE	PIIRUSTUKSET	FI
	TEGNINGER	DK	DESENHOS	PT	ΣΧΕΔΙΑ	GR
	OBRAZKY	CZ	RYSUNKI	PL	RAJZOK	HU
	ПОДКЛЮЧЕНИЕ	RU	그림	KR	-	-

553 (1/2) - aluminium



ASCO	DRAWINGS	GB	DESSINS	FR	ZEICHNUNGEN	DE
	DIBUJO	ES	DISEGNO	IT	TEKENING	NL
	TEGNINGER	NO	RITNINGAR	SE	PIIRUSTUKSET	FI
	TEGNINGER	DK	DESENHOS	PT	ΣΧΕΔΙΑ	GR
	OBRAZKY	CZ	RYSUNKI	PL	RAJZOK	HU
	ПОДКЛЮЧЕНИЕ	RU	그림	KR	-	-

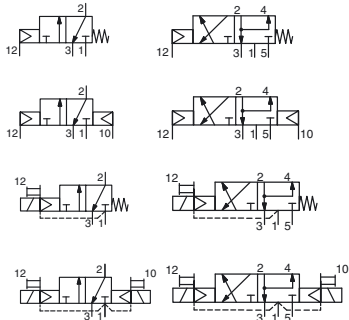
553 (1/2) - stainless steel



ASCO	CONNECTION	GB	RACCORDAMENTO	FR	ANSCHLUSS	DE
	RACORDAJE	ES	COLLEGAMENTO	IT	AANSLUITING	NL
	ANSLUTNING	SE	TILKOBLING	NO	LIITÄNTÄ	FI
	FORBINDELSE	DK	LIGAÇÃO	PT	ΣΥΝΔΕΣΗ	GR
	PRÍPOJENÍ	CZ	PODŁĄCZENIE	PL	CSATLAKOZTATÁS	HU
	ПОДКЛЮЧЕНИЕ	RU	-	-	-	-

3/2 NC/NF

NAMUR



5/2

NAMUR

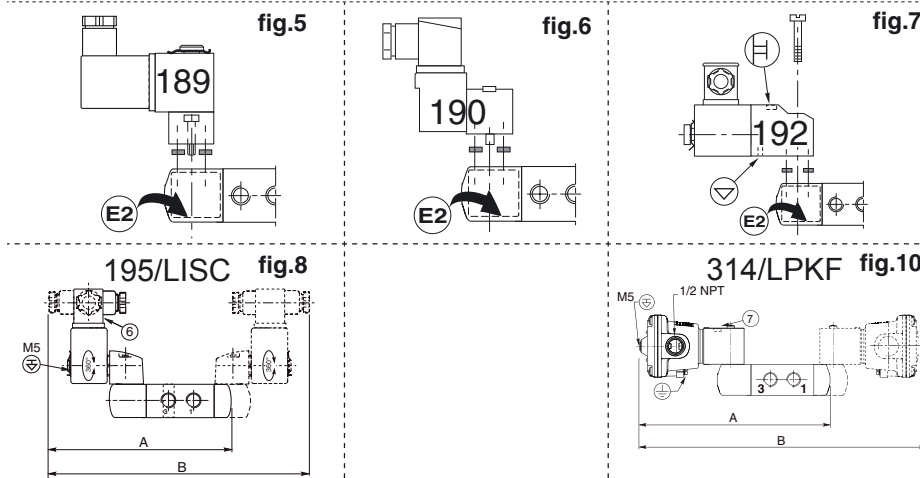
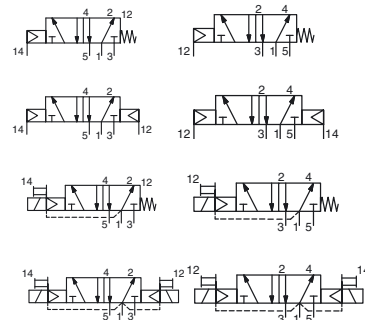


fig.2



- 34600484 (M5)
- 34600419 (G1/4)
- 34600418 (G1/8)
- 34600479 (G1/2)
- 34600483 (NPT1/4)
- 34600482 (NPT1/8)
- 34600481 (NPT1/2)

fig.16



The manufacturer may use the mark:



Report:
ASC Q1301001 R003 V1R1
Assessment Report

Valid until February 28, 2016
Revision 1.1 March 25, 2013



ANSI Accredited Program
PRODUCT CERTIFICATION
#1994

**Certificate / Certificat
Zertifikat / 合格証**

ASC 1301001 C005

exida hereby confirms that the:

**Series 551, 552, and 553 Pilot Operated
Inline Spool Valves**

**ASCO Numatics
Lucé, France**

Has been assessed per the relevant requirements of:

IEC 61508 : 2010 Parts 1-7

and meets requirements providing a level of integrity to:

Systematic Capability: SC 3 (SIL 3 Capable)

Random Capability: Type A Element

SIL 2 @ HFT=0; SIL 3 @ HFT = 1; Route 2_H

**PFD_{AVG} and Architecture Constraints
must be verified for each application**

Safety Function:

The Valve will move to the designed safe position when de-energized / energized within the specified safety time.

Application Restrictions:

The unit must be properly designed into a Safety Instrumented Function per the Safety Manual requirements.



Ch. O'B.
Evaluating Assessor

Steve J. Case
Certifying Assessor

Series 551, 552, and
553 Pilot Operated
Spool Valves

Certificate / Certificat / Zertifikat / 合格証

ASC 1301001 C005
Systematic Capability: SC 3 (SIL 3 Capable)

Random Capability: Type A Element

SIL 2 @ HFT=0; SIL 3 @ HFT = 1; Route 2_H

PFD_{AVG} and Architecture Constraints
must be verified for each application

SC 3 (SIL 3 Capability):

The product has met manufacturer design process requirements of Safety Integrity Level (SIL) 3. These are intended to achieve sufficient integrity against systematic errors of design by the manufacturer.

A Safety Instrumented Function (SIF) designed with this product must not be used at a SIL level higher than stated.

Random Capability:

The SIL limit imposed by the Architectural Constraints for each element.

IEC 61508 Failure Rates in FIT*

For valves used in a final element assembly, SIL must be verified for the specific application using the following failure rate data.

Failure rates for the Series 551,552, and 553 Pilot Operated Spool Valves in FIT*

Failure Category	λ_{ad}	λ_{du}	λ_{db}	λ_{du}
3/2 Single	0	178	0	347
3/2 Single NAMUR	0	273	0	371
3/2 Single, w/NF Operator	0	292	0	333
3/2 Single NAMUR, w/NF Operator	0	386	0	358
3/2 Redundant	0	205	0	387
5/2 Single	0	278	0	357
5/2 Single NAMUR	0	275	0	389
5/2 Single w/NF Operator	0	392	0	343
5/2 Single NAMUR, w/NF Operator	0	388	0	376
5/2 Redundant	0	265	0	397

Applications

Series 551/552/553 Spool Valves	De-energize on trip, normally closed
---------------------------------	--------------------------------------

SIL Verification:

The Safety Integrity Level (SIL) of an entire Safety Instrumented Function (SIF) must be verified via a calculation of PFD_{AVG} considering redundant architectures, proof test interval, proof test effectiveness, any automatic diagnostics, average repair time and the specific failure rates of all products included in the SIF. Each subsystem must be checked to assure compliance with minimum hardware fault tolerance (HFT) requirements.

The following documents are a mandatory part of certification:

Assessment Report: ASC Q1301001 R001 V1R1 Assessment Report

Safety Manual: V9629, Rev B

* FIT = 1 failure / 10⁹ hours



64 N Main St
 Sellersville, PA 18960

T-058, V1.0-3