

Emerson's Extended Line Size Magnetic Flow Meter Sensors

Proven flow measurement solutions with advanced diagnostics for critical applications



Expanding Magnetic Flow Meter capabilities

Emerson has partnered with Isoil Industria to provide larger line size magnetic flow meters for high capacity applications. Pairing Isoil's sensor technology with Emerson's Rosemount™ Magnetic Flow Meter transmitter technology allows you to take advantage of the powerful process diagnostics and SMART Meter Verification for all of your applications, including the larger lines where diagnostic capability is absolutely critical.

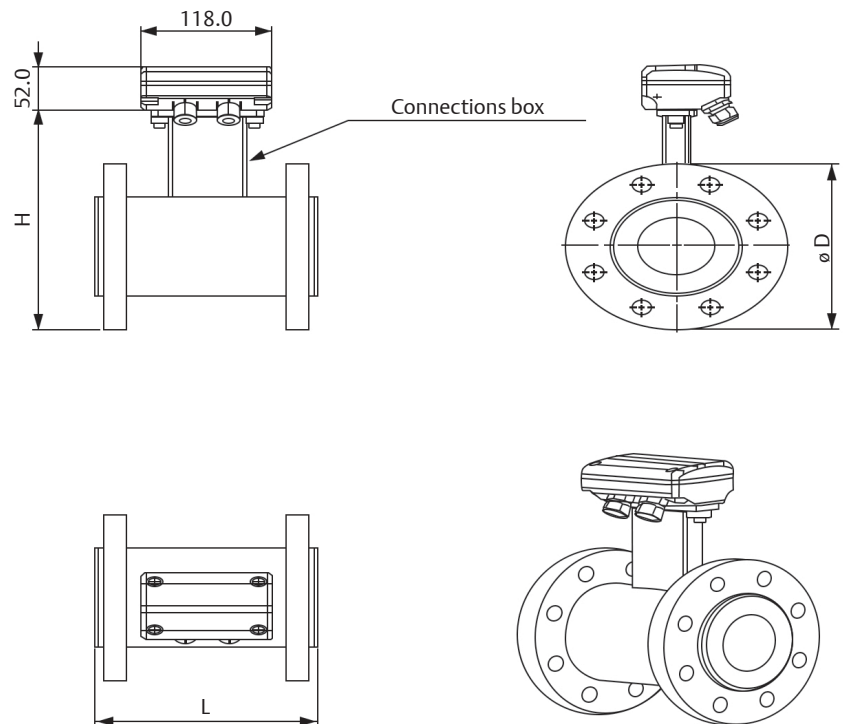


Extended line size Magnetic Flow Meter sensor installation.

Dimensions of the extended line size Magnetic Flow Sensor



MS2500 ISOMAG Flow Meter Sensor from Isoil Industria.



For more information, visit
[Emerson.com/RosemountMagneticFlow](https://www.emerson.com/RosemountMagneticFlow)
or contact your local Emerson Sales Representative



Emerson's Extended Line Size Magnetic Flow Meter Sensors

Nominal Dimensional Table

Line Size inches (mm)	Liner	Flange	L inches (mm)	øD inches (mm)	H inches (mm)	Weight Lbs (kg)
28 (700)	Ebonite	ASME Class 150	28 (700)	37.1 (927)	40.6 (1016)	990 (450)
		ASME Class 300		41.4 (1035)	42.6 (1065)	1540 (700)
		EN1092-1 PN16		36.4 (910)	38.0 (949)	990 (450)
		EN1092-1 PN40		39.8 (995)	41.0 (1025)	1540 (700)
32 (800)	Ebonite	ASME Class 150	32 (800)	42.4 (1060)	46.0 (1149)	1320 (600)
		ASME Class 300		46.0 (1149)	47.2 (1180)	2310 (1050)
		EN1092-1 PN16		41.0 (1025)	42.4 (1060)	1276 (580)
		EN1092-1 PN40		45.6 (1140)	46.5 (1163)	2310 (1050)
44 (1100)	Ebonite	AWWA Class D	43.3 (1100)	55.3 (1404)	56.3 (1428)	2420 (1100)
52 (1300)	Ebonite	AWWA Class D	52 (1300)	65.0 (1626)	66.3 (1657)	2420 (1100)
54 (1350)	Ebonite	AWW Class D	54 (1350)	67.3 (1683)	68.6 (1715)	2530 (1150)
56 (1400)	Ebonite	EN1092-1 PN10	56 (1400)	67.0 (1675)	68.5 (1713)	2640 (1200)
60 (1500)	Ebonite	AWWA Class D	60 (1500)	74.2 (1854)	75.3 (1883)	2860 (1300)
64 (1600)	Ebonite	EN1092-1 PN10	64 (1600)	76.6 (1915)	77.8 (1945)	3080 (1400)
66 (1650)	Ebonite	AWWA Class D	66 (1650)	81.3 (2032)	82.3 (2058)	3080 (1400)
72 (1800)	Ebonite	AWWA Class D	72 (1800)	87.9 (2197)	88.9 (2223)	3520 (1600)
		EN1092-1 PN10		84.6 (2115)	85.8 (2145)	3960 (1800)
78 (1950)	Ebonite	AWWA Class D	78 (1950)	94.8 (2371)	95.5 (2388)	3740 (1700)
80 (2000)	Ebonite	EN1092-1 PN10	80 (2000)	93.0 (2325)	94.2 (2355)	4620 (2100)

Optional grounding rings available. Each grounding ring has a thickness of 0.12-in (3mm) and are sold as a pair. If using both grounding rings, increase the L dimension by 0.25 -in (6 mm).

*Additional sizes available on request.

Specifications

Process condition:

Process temperature Limit: 23 °F to 176 °F (-5 °C to 80 °C)

Maximum working pressures:

ASME B16.5 Class 150 Flange: 285 psig

ASME B16.5 Class 300 Flange: 740 psig

AWWA Class D Flange: 175 psig

EN1092-1 PN10 Flange: 10 Bar-g

EN1092-1 PN16 Flange: 16 Bar-g

EN1092-1 PN40 Flange: 40 Bar-g

Sensor construction:

Flange material: Painted carbon steel

Housing material: Painted carbon steel

Liner Material: Ebonite (Hard rubber)

Electrode Material: Nickel alloy (3 electrodes; 2 measurement electrodes, 1 grounding electrode)

Certifications:

All sensors are calibrated in an ISO 17025 accredited facility using

Rosemount Electronics

All sensors are NSF-61 certified for potable water applications

All sensors are IP68 rated to a depth of 5-ft (1.5m)

Lead-time / delivery:

Standard lead-time is 12–16 weeks depending on line size, flange rating, and quantity ordered

Emerson Automation Solutions

6021 Innovation Blvd.
Shakopee MN 55379
USA

+1 800 999 9307 or +1 952 906 8888

+1 952 949 7001

RFQ,RMD-RCC@Emerson.com

The Emerson logo is a trademark and service mark of Emerson Electric Co. Brand logotype are registered trademarks of one of the Emerson family of companies. All other marks are the property of their respective owners. ©2020 Emerson Electric Co. All rights reserved.

MC-002477 Rev AB

Consider It Solved.

Emerson Automation Solutions supports you with innovative technologies and expertise to address your toughest challenges.

For more information, visit [Emerson.com](https://www.emerson.com)

