

SENTRONIC^D

**Digital Electronic Pressure Regulator
with display and keypad**

**Vanne de régulation de pression
électronique numérique
avec affichage et boutons de réglage**

**Digitaler Druckregler
mit Anzeige und Einstelltasten**



IM14120.R9
(383 47 48)

GB FR DE

ASCATM

SUMMARY
SOMMAIRE
INHALT

Page
Seite

GB English version _____ 3

FR Version française _____ 15

DE Deutsche Version _____ 27

SENTRONIC^D

Digital Electronic Pressure Regulator

Series 608/609

with Display and Keypad

Installation manual



IM14120-GB.R9
(383 47 48)

GB

ASCOTM

CONTENTS

1. Description 5
 1.1 Catalogue number 5
 1.2 Operating elements..... 6
 1.3 Manual pressure regulation..... 6
 1.4 Operating modes 6
 2. Electrical connection 7
 3. Analog setpoint - outlet pressure 8
 4. Pneumatic connection..... 9
 5. Factory settings for a standard valve..... 9
 6. Field-programmable settings..... 10
 7. Technical characteristics 10
 7.1 Fluid characteristics 10
 7.2 Specifications..... 10
 8. Accessories..... 10
 9. Maintenance and care..... 10
 10. Dimensions and weights 12



CAUTION
 OBSERVE PRECAUTIONS
 FOR HANDLING
 ELECTROSTATIC SENSITIVE
 DEVICES

This product contains electronic components sensitive to electrostatic discharge. An electrostatic discharge generated by a person or object coming in contact with the electrical components can damage or destroy the product.

To avoid the risk of electrostatic discharge, please observe the handling precautions and recommendations contained in standard EN 100015-1. Do not connect or disconnect the device while it is energised.



CAUTION! Dangerous operating conditions may occur when using the programming interface on the valve as the valve may possibly not react to the analog setpoint any more. Provide for protection against uncontrolled movement of equipment when putting the valve into operation and before making any modifications to the valve settings.

We herewith declare that the version of the product described in this installation manual is intended to be incorporated into or assembled with other machinery and that it must not be put into service until the machinery into which it is to be incorporated has been declared in conformity with the provisions of Council Directive 2006/42/EC.

Handling, assembly and putting into service and all settings and adjustments must be done by qualified, authorised personnel only.



This product complies with the essential requirements of the EMC Directive 2014/30/EU and its amendments. It is **CE**-approved. A separate Declaration of Conformity is available on request. Please provide ordering code and serial numbers of products concerned.

NOTICE

The information in this manual is subject to change without notice.

In no event shall ASCO NUMATICS be liable for technical or editorial errors or omissions. Neither is any liability assumed for accidental or consequential damages arising out of or in connection with the supply or use of the information contained herein.

THIS MANUAL CONTAINS INFORMATION PROTECTED BY COPYRIGHT. NO PART OF THIS DOCUMENT MAY BE PHOTOCOPIED OR REPRODUCED IN ANY FORM OR MANNER WHATSOEVER WITHOUT PRIOR WRITTEN PERMISSION FROM ASCO NUMATICS.

COPYRIGHT © 2016 - ASCO NUMATICS - All rights reserved.

1. DESCRIPTION

SENTRONIC^D is a new generation of electronic pressure regulators designed on the basis of an enhanced digital control.

SENTRONIC^D stands for:

- Digital communication and control
- Display (incorporated)
- Direct operated valve
- Dynamic behaviour (high speed)

Digital control offers many advantages during installation and start-up of the **SENTRONIC^D** valve and extended possibilities to adapt it to various applications.

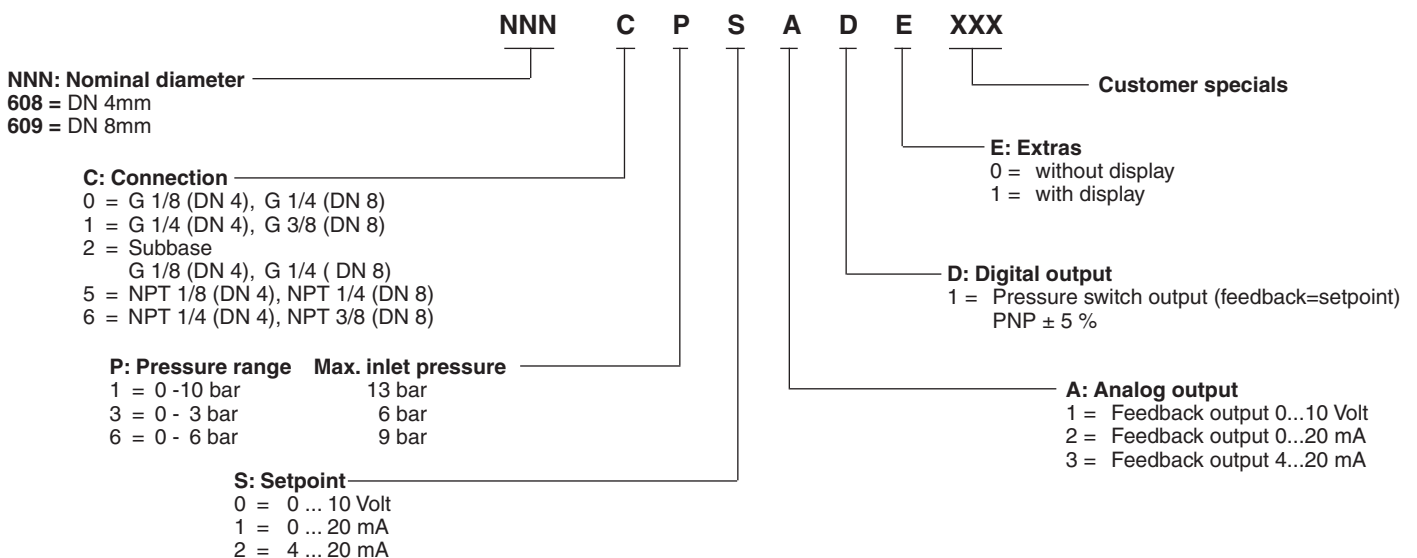
The four following standard versions are available:

- With display and pushbuttons : Pressure display, manual pressure setting and diagnostic LEDs.
- Without display and pushbuttons : The economic solution.
- Nominal diameter DN 4mm : with a flow rate of 470 l/min (SRA).
- Nominal diameter DN 8mm : with a flow rate of 1300 l/min (SRA).

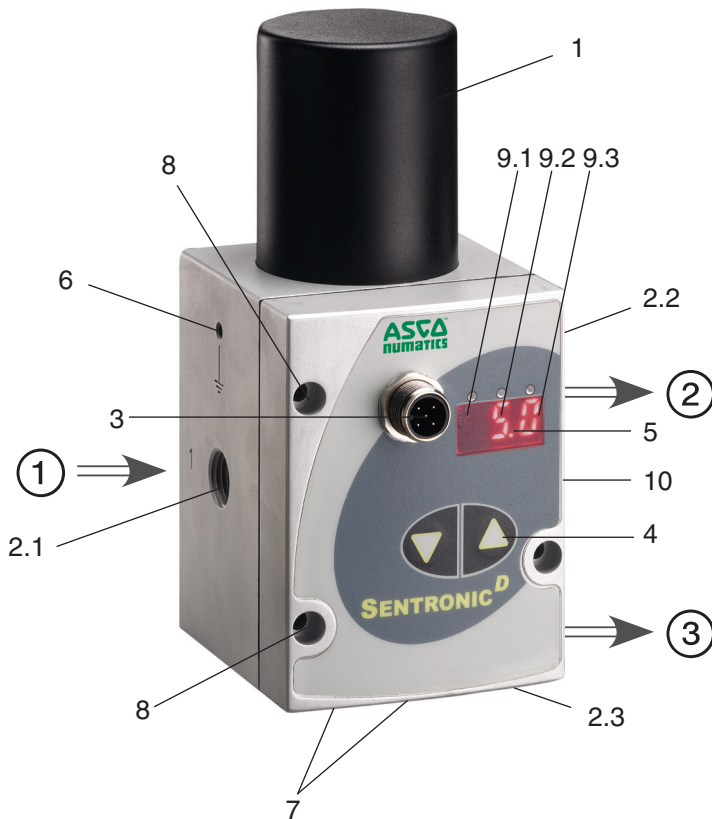
Various pneumatic connections: integral connections, back panel connection and subbase mount.

- All pressure and exhaust ports are the same size, which allows for short response times when the pressure is increased or decreased.
- Digital pressure control in a closed loop: An internal pressure sensor compares the setpoint at the inlet to the outlet pressure. The outlet pressure is adjusted in real time.
- The control parameters can be changed with the additional software called DaS. The DaS program (Data Acquisition Software) ensures that all parameters used by the valve can be changed. This flexibility allows the valve to be adapted to the most various applications and enables the optimisation of its response time, overshoot and precision.
- After having set the optimum parameters you can save them in a project file for your personal use or send them to our Product Support for future serial production.

1.1 CATALOGUE NUMBER



1.2 OPERATING ELEMENTS



- 1 Proportional solenoid coil
- 2.1 Pressure supply
- 2.2 Pressure outlet
- 2.3 Exhaust
- 3 Power supply, M12 connector
- 4 Operator buttons
- 5 3-digit display of outlet pressure
- 6 Ground connection, M4
- 7 Threaded mounting holes M4/6 mm
- 8 Mounting holes for M4 screws
- 9.1 Green LED
 - OFF: Setpoint \neq feedback
 - ON: Setpoint = feedback
 - Flashing: Overtemperature
- 9.2 Yellow LED
 - OFF: Normal
 - ON: Manual operation
 - Flashing: AUTOSAFE enabled
- 9.3 Red LED
 - OFF: Normal
 - ON: Low voltage
 - Flashing: Overvoltage
- 10 Serial communication (PC connection)

1.3 MANUAL PRESSURE REGULATION (HAND)

After an interruption in the power supply, press both arrow buttons located beneath the display during power up to switch to the manual mode. The operating mode is indicated by the letters "H n d" in the display.

The "H n d" display disappears when the arrow buttons are released.

Press the left arrow button or DOWN arrow to reduce the outlet pressure, press the right arrow button or UP arrow to increase the outlet pressure. The yellow LED is on permanently during manual mode.

Exit this operating mode by pressing both arrow buttons simultaneously or by turning off the power supply for a short time.

1.4 OPERATING MODES

Shut-off:

If the setpoint falls below 0.5 %, the coil current is switched off and the valve is fully exhausted.

Overtemperature:

If the temperature of the internal control electronics exceeds 100°C, the operating mode is switched to AUTOSAFE and the green LED starts to flash.

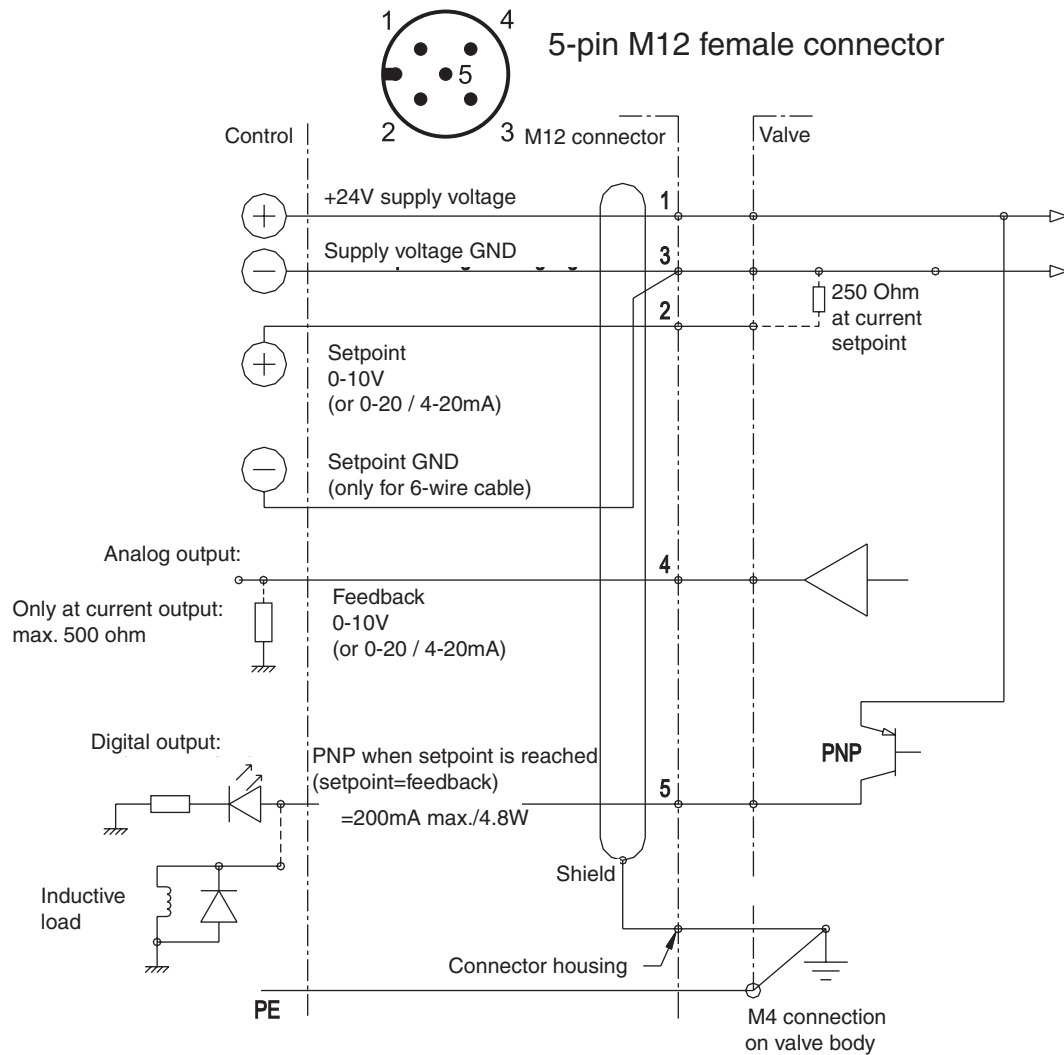
Undervoltage / overvoltage:

If the supply voltage is less than 20 V or more than 30 V, the coil current is switched off and the valve is fully exhausted. The red LED lights up constantly to indicate undervoltage or flashes to indicate overvoltage.

Autosafe:

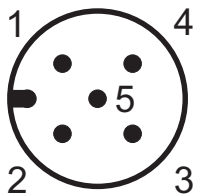
If the coil current exceeds 1000 mA (DN8) or 560 mA (DN4) for more than 20 seconds, the output current is limited to max. 70% every 4 seconds to prevent the valve from overheating. The yellow LED flashes.

2. ELECTRICAL CONNECTION



- 1) The valve must only be supplied with 24V DC at a tolerance of +15%/-10% and a max. ripple of 10% (no supply via diode bridge). Overvoltage or a ripple rate exceeding these tolerances can damage the electronics.
- 2) The max. current at the digital output is 200 mA/4.8W (PNP output). The output is protected against short circuit and overload.
- 3) If a relay (inductive load) is connected to the digital output, a freewheel diode or a varistor must be used.
- 4) A shielded cable must be used for protection against interference and EMC.
- 5) The valve body must be grounded with the earthing terminal PE (dia. M4)

CONNECTOR PINNING / CABLE WIRING



View from soldering side

pin	description	5-wire cable (2m)	6-wire cable (5m, 10m)
1	24V voltage supply	brown	brown
2	Analog setpoint input	white	white
3	Supply ground	blue	green
	Analog ground [*]		yellow
4	Analog output (feedback) ¹	black	pink
5	Digital output (pressure switch)	grey	grey
Body	EMC shield	shield	shield

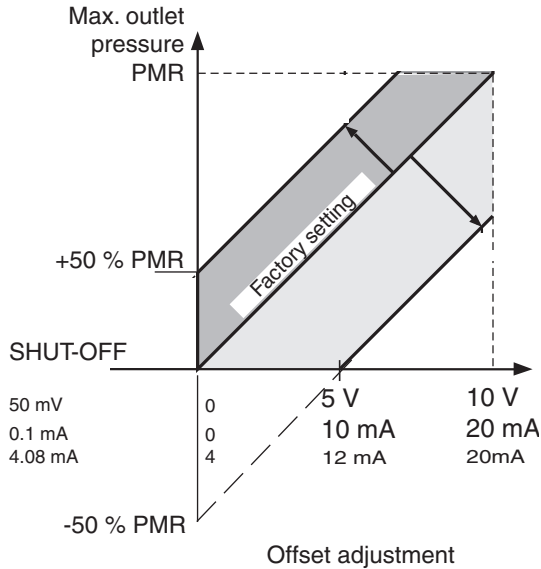
^{*} A 6-wire cable with separate analog ground is used for cable lengths over 2 m to set off the voltage drop for the setpoint.

¹ Analog input when using cascade control

3. ANALOG SETPOINT - OUTLET PRESSURE

Setpoint offset

The pressure setpoint zero can be changed via the *DaS* program. Switch to "Custom" in the "Setpoint setting" section. The zero range is max. $\pm 50\%$.

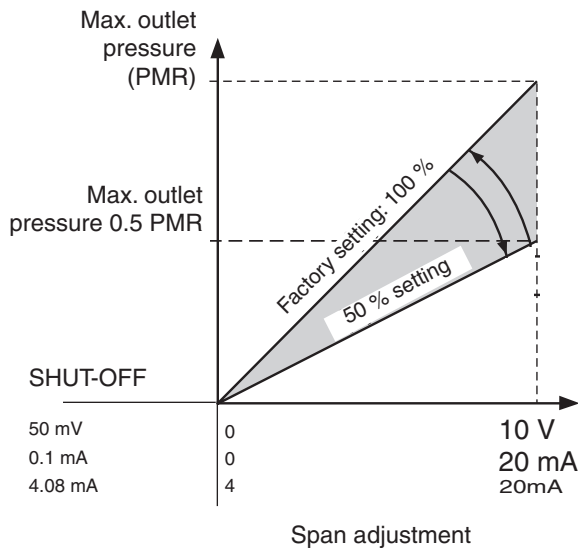


Max. outlet pressure PMR (bar)	Max. inlet pressure MAP (bar)
3 bar	6
6 bar	9
10 bar	13

CAUTION: Outlet pressures above the maximum outlet pressure (PMR) are not controlled by the valve, i.e. the max. outlet pressure is limited to the PMR. In order to avoid damaging the sensor, **the supply pressure must always be less than the maximum inlet pressure (MAP) defined above** (see table).

Setpoint span

The pressure span of the setpoint can be changed via the *DaS* program. Switch to "Custom" in the "Setpoint setting" section. The span is between 10 and 100%.



The span can be set to max. 100% of the maximum outlet pressure (PMR). It can only be decreased.

4. PNEUMATIC CONNECTION

The air flow is from port 1 to port 2.



Inch screw connections (pipe threads) must be used.

Each screw connections must be lined with a fitting synthetic sealing disc.

Do not use Teflon sealing tape or hemp as they may get inside the valve and damage it.

Use an appropriate silencer at port (3). The exhaust time may vary depending on the type of silencer used.

The diameter of the pneumatic lines must be adjusted to the nominal diameter of the valve. The diameter of outlet line (2) must be larger or equal to that of inlet line (1).

The supply pressure must always be less than the value given in the table in section 3 and must always be above the desired outlet pressure.

5. FACTORY SETTINGS FOR A STANDARD VALVE

- 0 bar outlet pressure at a setpoint of 0 V / 0 mA / 4 mA.
- Span: 3 bar device: = 3 bar at 10 V / 20 mA
6 bar device: = 6 bar at 10 V / 20 mA
10 bar device: = 10 bar at 10 V / 20 mA
- Minimum hysteresis.
- The control parameters, setpoint offset, setpoint span and window size of the digital output (pressure switch) are factory-programmed.

Parameter set: factory settings

Setpoint offset: 0 %

Setpoint span: 100 %

Setpoint ramp: no ramp

Shut-off: ON; the valve is exhausted at a setpoint below 0.5%

Controller structure: PID

Proportional gain: 4,0

Integration time: 0.1 sec

Derivation time: 8 msec

6. FIELD-PROGRAMMABLE SETTINGS

DISPLAY/PRESSURE READINGS

The actual outlet pressure is displayed during normal operation. See „Parameters/Display“ section.

Other displays:

Hnd indicates that the Manual mode has been selected.

SOF Internal error of pressure control. Replace valve or contact our Product Support.

Err Internal overflow.

AEr Autozero overflow. Contact our Product Support.

PUSHBUTTONS

To enter the Manual mode, press and hold both pushbuttons simultaneously during power up. "Hnd" appears in the display. Use the UP button to increase the outlet pressure and the DOWN button to decrease it. The actual outlet pressure is displayed.

Quick presses on the buttons allow you to make slight changes in the pressure rating.

Longer presses allow you to make quick pressure changes.

Press both pushbuttons simultaneously to exit the manual mode.

7. TECHNICAL CHARACTERISTICS

CONSTRUCTION

Directly operated valve

Body: Aluminium

Internal parts: POM

Seals: Perbunan (NBR), Fluorelastomer (FKM)

Degree of protection: IP65

INSTALLATION

Assembly position: any; for optimum performance vertically with solenoid at the top.

Air: filtered at 50 µm, free of condensate

Connections: Hemp or Teflon tape must not be used.

Electrical connection: Select a wire section that will give a voltage drop of less than 2 volts at 2A.

7.1 FLUID CHARACTERISTICS

FLUIDS	: Air or neutral gas, filtered at 50 µm, free of condensate, lubricated or not
PORTS	: G1/8-G1/4-G3/8, see section 3
MAX. INLET PRESSURE	: see section 3
TEMPERATURE / FLUID	: 0...60 °C
TEMPERATURE / AMBIENT	: 0...50 °C
HYSTERESIS	: <1% of span
LINEARITY	: <0.5% of span
REPEATABILITY	: <0.5% of span
MINIMUM SETPOINT	: 100mV (0.2 mA/4.2mA) with shut-off function
MINIMUM OUTLET PRESSURE	: <1% of span

7.2 SPECIFICATIONS

Nominal diameter DN (mm)	Supply voltage (stabilised) *	Max. power (W)	Max. current (mA)	Isolation class	Degree of protection	Flow		Electrical connection
						Kv Nm ³ /h	l/min (SRA)	
4	24V DC +15%/-10%	21	850	H	IP 65	0.25	470	5-pin female M12 connector
8		40	1650			0.7	1300	

* Residual ripple: 10 %

Test conditions according to ISO 8778: temperature: 20 °C, relative inlet pressure: 6 bar, relative outlet pressure: 5 bar

Setpoint input	: 0 ... 10 V (100 kOhm input resistance) 0 ... 20 mA / 4 ... 20 mA (250 Ohm input resistance)
Feedback output	: 0 ... 10 V (max. 10 mA), short-circuit protected 0 ... 20 mA / 4 ... 20 mA (max. 24 VDC)
Digital output	: pnp; open collector; max. 200 mA/4.8W, short-circuit protected HIGH (24 VDC) if feedback=setpoint LOW (open) if feedback≠setpoint
Oversvoltage	: Shut-off at a voltage level higher than 30 volts (+10%).
Low voltage	: Shut-off at a voltage level lower than 19,5 volts (-10 %).

8. ACCESSORIES

description	catalogue number
Straight M12 female connector, 5 pins, with screw terminals	88100256
Right-angle M12 female connector, 5 pins, with screw terminals	88100725
Supply cable 2 m, 2 x 0,25 mm ² , straight connector	88100726
Supply cable 2 m, 2 x 0,25 mm ² , right-angle connector	88100727
Supply cable 5 m, 6 x 0,56 mm ² , straight connector	88100728
Supply cable 5 m, 6 x 0,56 mm ² , right-angle connector	88100729
Supply cable 10 m, 6 x 0,56 mm ² , straight connector	88100730
Supply cable 10 m, 6 x 0,56 mm ² , right-angle connector	88100731
RS 232 cable converter; 2m cable with 9-pin Sub-D (plug connector)	88100732
RS 232 cable converter; 2 m cable with 9-pin Sub-D (screw connector)	88100970
Joinable subbase for 608 (DN 4 mm) with G 3/8", common supply and exhaust	35500558
Joinable subbase for 609 (DN 8 mm) with G 1/2", common supply and exhaust	35500559
Parameter adapter, USB, 2 m cable	N50930300100000

9. MAINTENANCE AND CARE

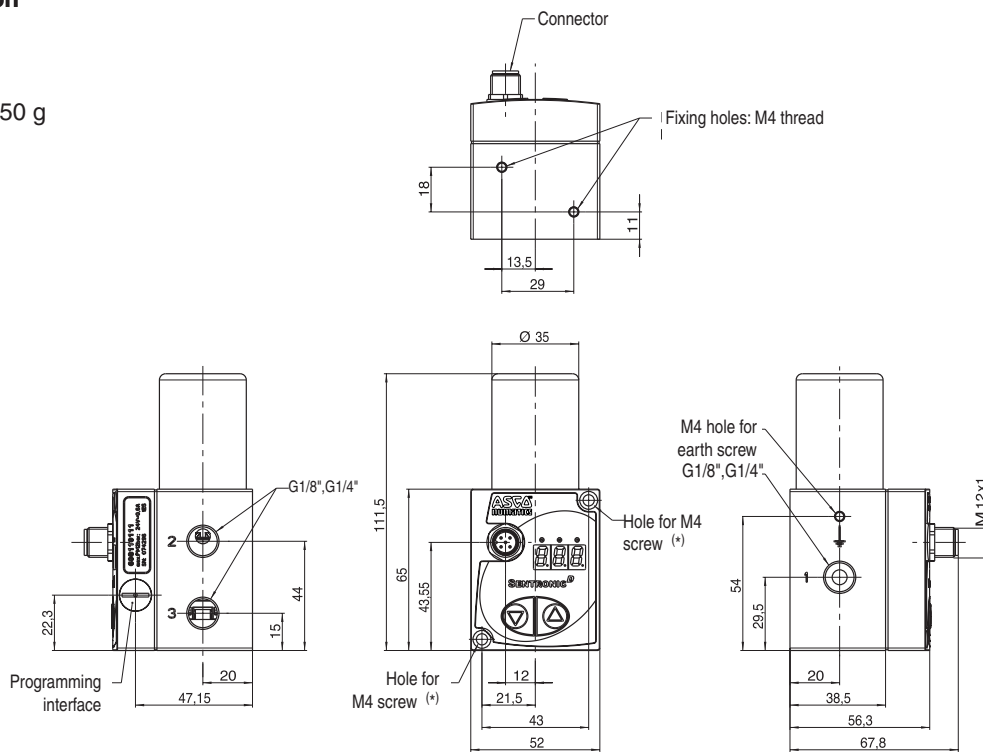
No special maintenance or care required.

10. DIMENSIONS AND WEIGHTS

Inline version

DN 4

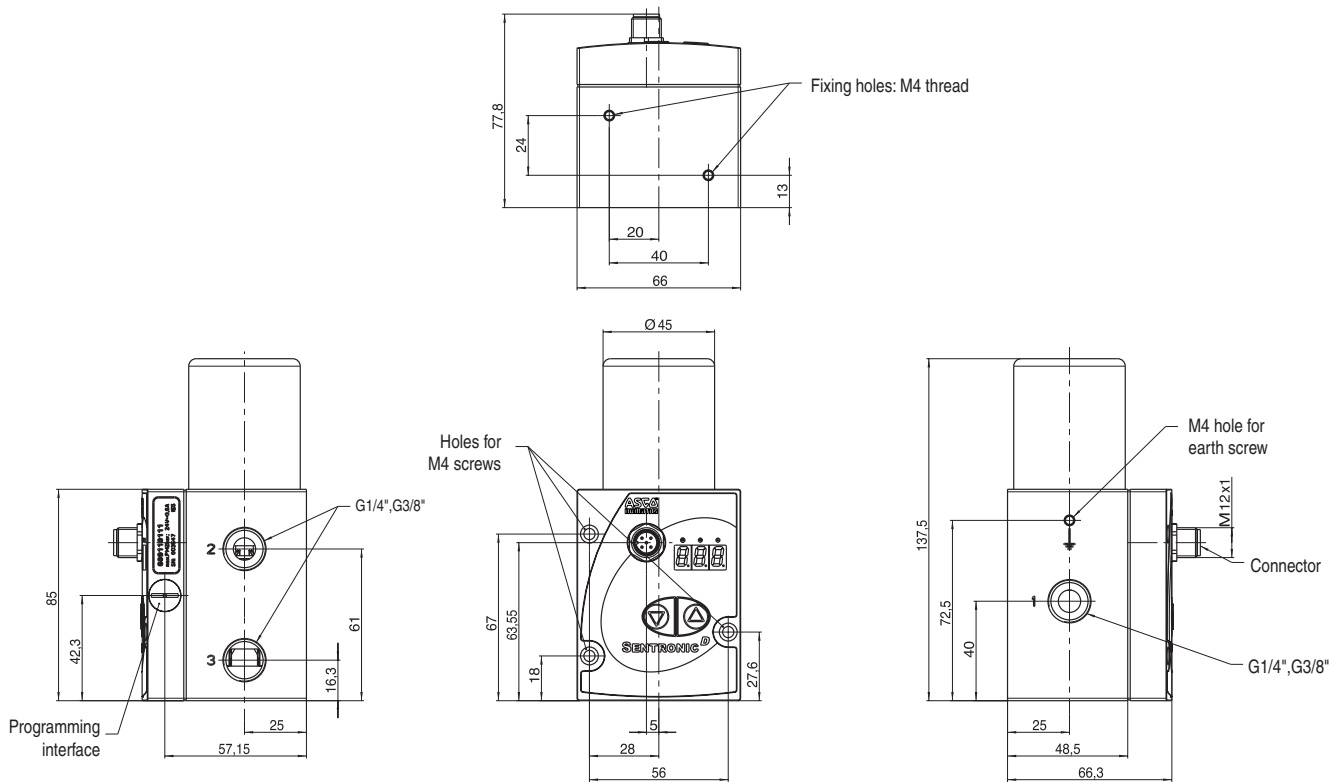
Weight: 550 g



(*): Remove the pre-installed screws to use the through holes to mount the valve.

DN 8

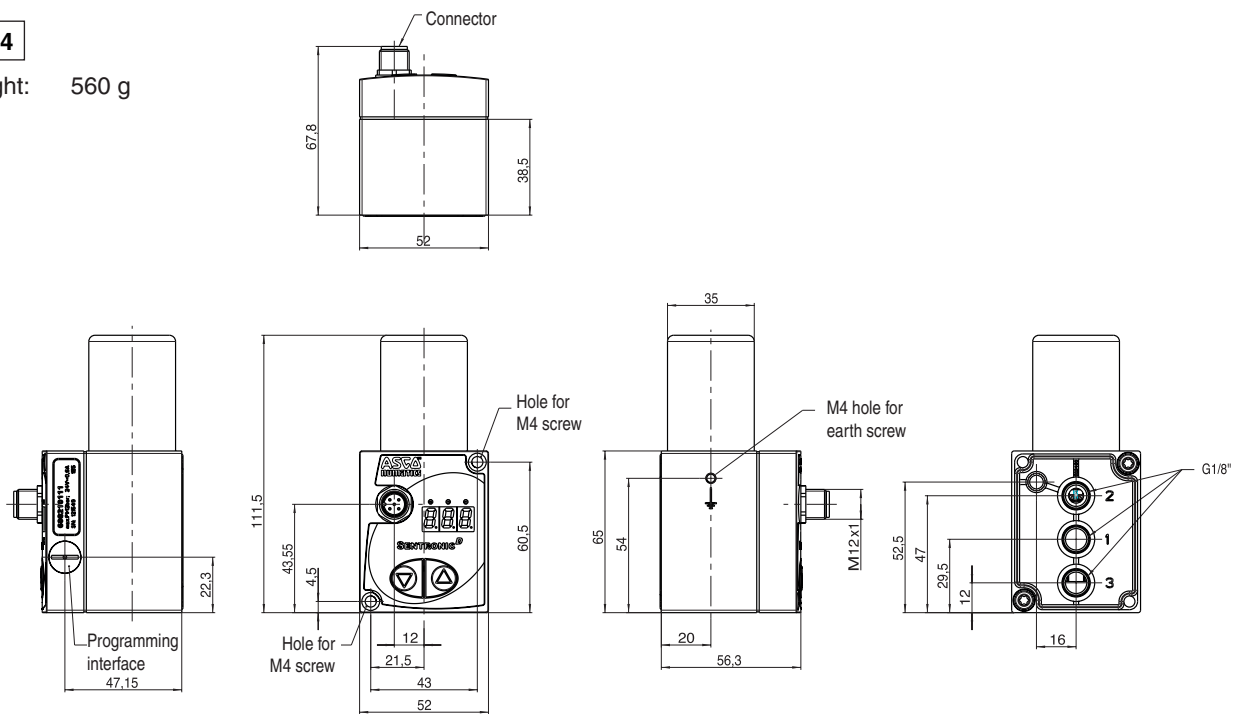
Weight: 900 g



Subbase version

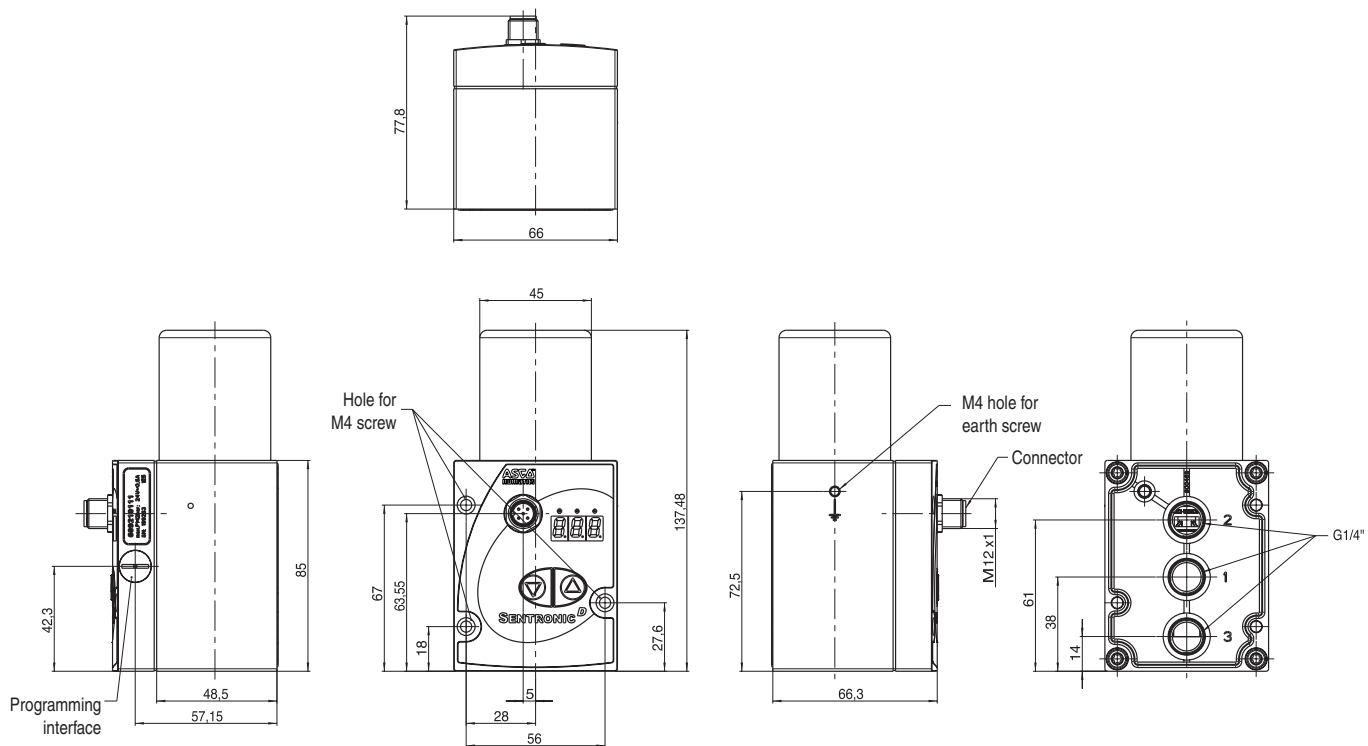
DN 4

Weight: 560 g



DN 8

Weight: 1,130 g



SENTRONIC^D

Vanne de régulation de pression électronique numérique

Série 608/609

avec affichage et boutons de réglage

Manuel d'installation



IM14120-FR.R9
(383 47 48)

FR

ASCOTM

SOMMAIRE

1.	Description	17
1.1	Code	17
1.2	Composants de fonctionnement	18
1.3	Réglage manuel de la pression.....	18
1.4	Modes de fonctionnement.....	18
2.	Raccordements électriques.....	19
3.	Consigne analogique - Pression de sortie	20
4.	Raccordements pneumatiques	21
5.	Réglages usine	21
6.	Réglages programmables sur site	22
7.	Caractéristiques techniques.....	22
7.1	Caractéristiques fluides.....	22
7.2	Spécifications.....	22
8.	Accessoires.....	23
9.	Maintenance et entretien.....	23
10.	Encombrements et masses	24



ATTENTION
RESPECTER LES PRECAUTIONS
DE MANIPULATION
DES PRODUITS SENSIBLES
AUX DECHARGES
ELECTROSTATIQUES

Ce produit contient des composants électroniques sensibles aux décharges électrostatiques. Tout contact des connexions par une personne ou un objet chargé d'électricité statique pourrait entraîner la mise en panne ou la destruction de l'appareil. Pour réduire les risques de décharges électrostatiques, veuillez respecter les recommandations et précautions de manipulation définies par la norme EN100 015-1, avant toute intervention sur ce produit. Ne jamais brancher ou débrancher l'appareil lorsqu'il est sous tension.



ATTENTION! Des conditions d'exploitation dangereuses peuvent se développer en utilisant l'interface de programmation sur la vanne étant donné que la vanne ne réagira éventuellement plus à la consigne analogique appliquée. Assurer une protection contre des mouvements incontrôlés de l'équipement lors de la mise en service de la vanne et avant d'effectuer des modifications sur les réglages de la vanne.

Par la présente nous déclarons que le produit décrit dans ce manuel d'installation, est destiné pour être installé dans une machine ou à être assemblé à une autre machine: Toutefois il est interdit de mettre le produit en fonctionnement tant que la machine dans laquelle il est destiné à être incorporé ou l'ensemble de machines solidaires auquel il doit être assemblé n'aura pas été déclaré conforme aux dispositions de la Directive Machines 2006/42/CE.

Toutes opérations de manutention, d'installation et de mise en service, ainsi que la mise au point et le réglage doivent être effectués uniquement par un personnel qualifié et autorisé.



Ce produit est conforme aux exigences essentielles de la Directive 2014/30/UE sur la Compatibilité Electromagnétique, et amendements. Une déclaration de conformité peut être fournie sur simple demande. Veuillez nous indiquer les références ou codes des produits concernés.

NOTES

Les informations contenues dans le présent manuel sont susceptibles d'être modifiées sans préavis.

ASCO NUMATICS ne peut être tenu responsable des omissions techniques ou rédactionnelles, ni des dommages accidentels ou consécutifs à la fourniture ou l'utilisation du présent document.

LE PRESENT MANUEL CONTIENT DES INFORMATIONS PROTEGEES PAR COPYRIGHT, AUCUNE PARTIE DU PRESENT DOCUMENT NE PEUT ETRE PHOTOCOPIEE OU REPRODUITE SOUS QUELQUE FORME QUE CE SOIT SANS AUTORISATION ECRITE PREALABLE DE ASCO NUMATICS.

COPYRIGHT © 2016 - ASCO NUMATICS - Tous droits réservés.

1. DESCRIPTION

SENTRONIC^D est un régulateur de pression électronique de nouvelle génération conçu sur la base d'un contrôle numérique amélioré.

La **SENTRONIC^D** intègre :

- une communication et un contrôle numérique
- un affichage (incorporé)
- une vanne à commande directe
- une régulation dynamique (vitesse élevée)

Le contrôle numérique offre de nombreux avantages au cours de l'installation et du démarrage de la vanne **SENTRONIC^D** et d'autres possibilités pour l'adapter à différentes applications.

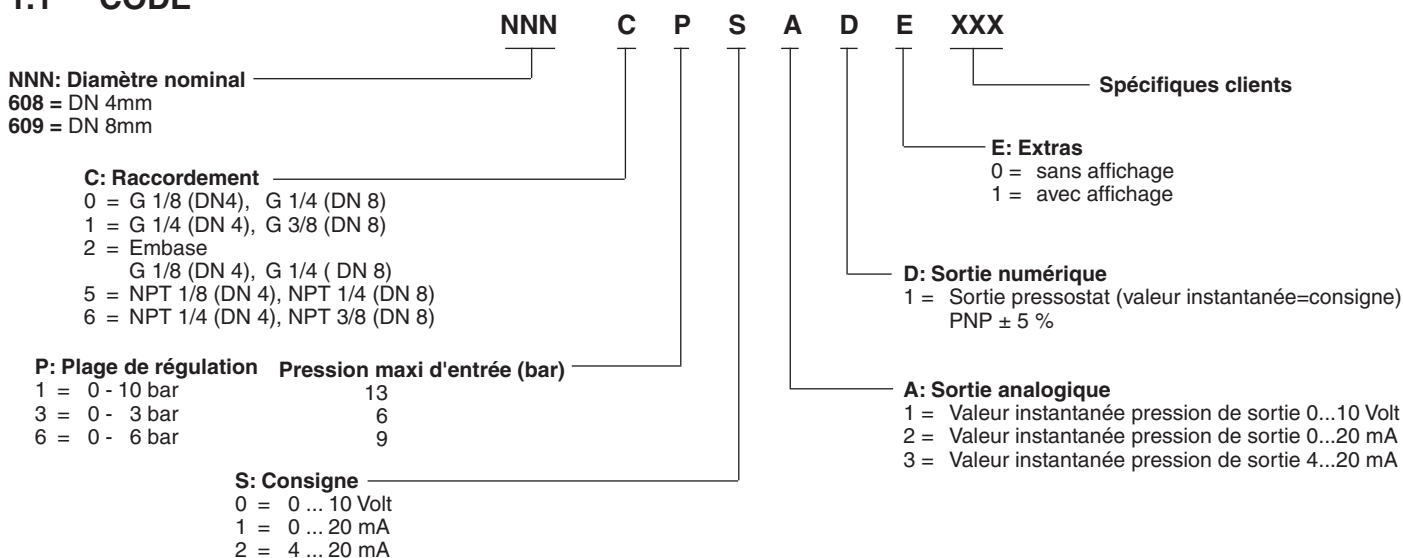
Les quatre versions standards suivantes sont disponibles :

- Avec affichage et boutons de réglage : Affichage de la pression, réglage manuel de la pression et voyants de diagnostics.
- Sans affichage et boutons de réglage : La solution économique.
- Diamètre nominal DN 4mm : avec un débit de 470 l/min (ANR).
- Diamètre nominal DN 8 mm : avec un débit de 1300 l/min (ANR).

Différents raccordements pneumatiques : raccordements en ligne, sur la face arrière ou sur embase.

- Tous les orifices de pression et d'échappement ont la même taille, ce qui permet des temps de réponse rapides quand la pression est augmentée ou diminuée.
- Contrôle de la pression numérique en boucle fermée : Un capteur de pression interne compare la valeur de pression de consigne à la pression de sortie. La pression de sortie est régulée en temps réel.
- Les paramètres peuvent être changés avec le logiciel optionnel DaS. Le programme DaS (Logiciel d'Acquisition de Données ou Data Acquisition Software) permet de modifier tous les paramètres de régulation de la vanne. Cette flexibilité permet d'adapter la vanne aux applications les plus variées et permet l'optimisation du temps de réponse, de l'overshoot et de la précision.
- Après avoir réglé les paramètres optimums, vous pouvez les sauvegarder dans un fichier de projet pour votre utilisation personnelle ou les envoyer à notre Support Technique pour une future production en série .

1.1 CODE



1.2 COMPOSANTS DE FONCTIONNEMENT



- 1 Bobine proportionnelle
- 2.1 Alimentation en pression
- 2.2 Utilisation
- 2.3 Echappement
- 3 Alimentation électrique, connecteur M12
- 4 Boutons de réglage
- 5 Affichage à 3 chiffres de la pression de sortie
- 6 Connexion de mise à la terre, M4
- 7 Orifices de montage taraudés M4/6 mm
- 8 Orifices de montage pour vis M4
- 9.1 LED verte
 - ETEINTE : Pression de consigne ≠ retour capteur
 - ALLUMÉE : Pression de consigne = retour capteur
 - Clignotante : Surchauffe
- 9.2 LED jaune
 - ETEINTE : Fonctionnement normal
 - ALLUMÉE : Fonctionnement manuel
 - Clignotante : AUTOSAFE (activée)
- 9.3 LED rouge
 - ETEINTE : Fonctionnement normal
 - ALLUMÉE : Sous-tension
 - Clignotante : Surtension
- 10 Communication série (connexion pour PC)

1.3 REGLAGE MANUEL DE LA PRESSION

Pour passer en mode Manuel après une coupure de l'alimentation électrique, appuyez sur les deux boutons-poussoirs qui se trouvent sous l'affichage pendant la mise sous tension. Le mode de fonctionnement est indiqué par l'affichage des lettres "Hnd".

L'affichage "Hnd" disparaît après avoir relâché les boutons-poussoirs.

Appuyez sur le bouton-poussoir de gauche ou flèche vers le BAS ▽ pour diminuer la pression de sortie, appuyez sur le bouton-poussoir de droite ou flèche vers le HAUT △ pour augmenter la pression de sortie. Le voyant jaune est constamment allumé pendant le mode Manuel.

Quittez ce mode de fonctionnement en appuyant simultanément sur les deux boutons-poussoirs ou en coupant l'alimentation pendant un instant.

1.4 MODES DE FONCTIONNEMENT

Shut off (fermeture) :

Si la pression de sortie devient inférieure à 0,5% de la PMR, le courant de la bobine est coupé et la vanne est mise à l'échappement.

Surchauffe :

Si la température du système électronique de contrôle interne dépasse 100°C, la vanne proportionnelle passe en mode AUTOSAFE et le voyant vert commence à clignoter.

Sous-tension / surtension :

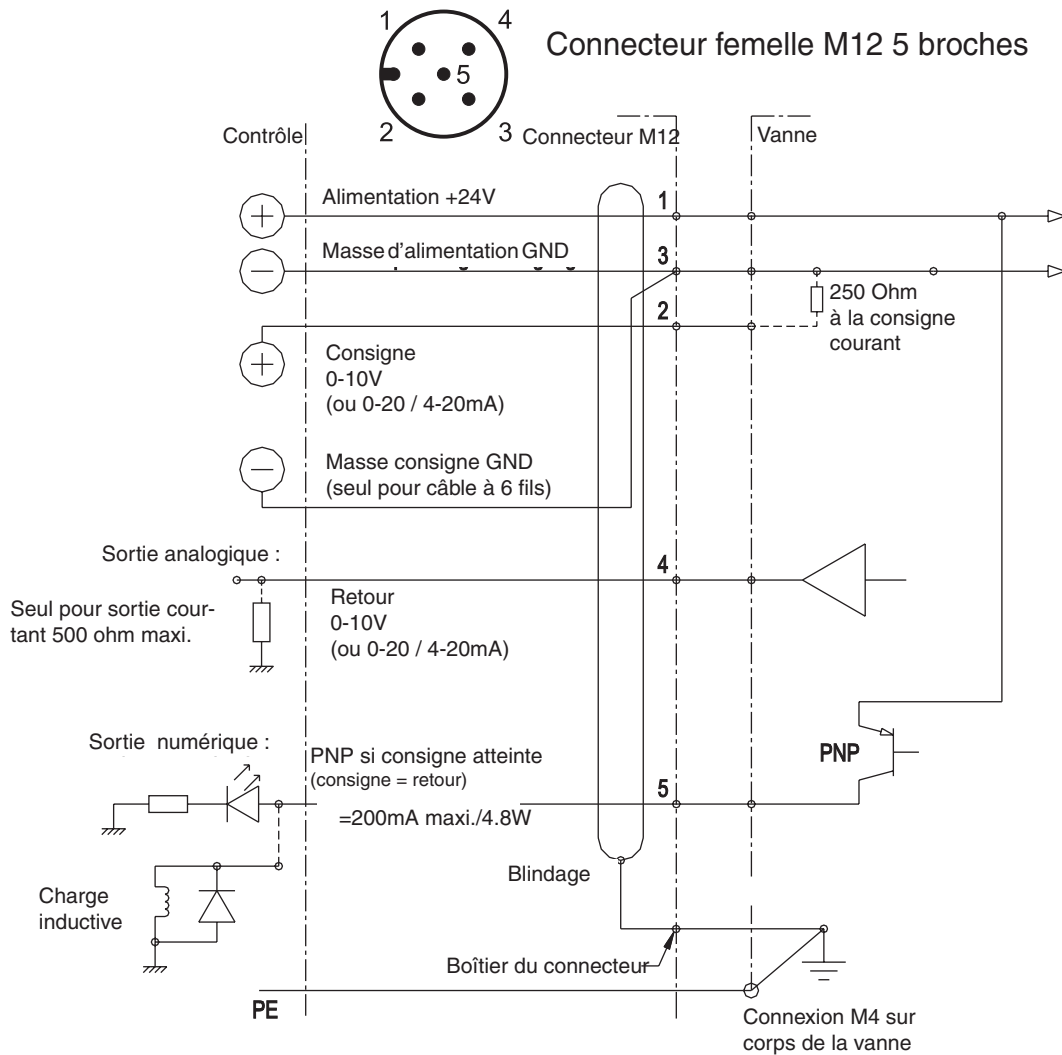
Si la tension d'alimentation est inférieure à 20 V ou supérieure à 30 V, le courant de la bobine est coupé et la vanne est mise à l'échappement.

Le voyant rouge reste constamment allumé pour indiquer qu'il y a une sous-tension ou clignote pour indiquer une surtension.

Autosafe :

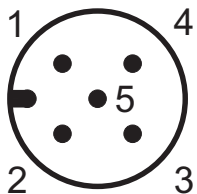
Si le courant de la bobine dépasse 1000 mA (DN8) ou 560 mA (DN4) pendant plus de 20 secondes, le courant de sortie de la bobine est limité à un maximum de 70% toutes les 4 secondes pour empêcher qu'il y ait une surchauffe de la vanne. Le voyant jaune clignote.

2. RACCORDEMENTS ELECTRIQUES



- 1) La vanne doit être alimentée en 24V, courant continu, variation +15%/-10%, avec un taux d'ondulation maxi. de 10% (pas d'alimentation par pont de diode). Une surtension ou un taux d'ondulation en dehors de ces tolérances peuvent détériorer l'électronique.
- 2) Le courant maxi. sur le pressostat est de 200 mA/4,8W (sortie PNP). La sortie est protégée contre les court-circuits et les surcharges.
- 3) Si vous connectez un relais (charge inductive) sur la sortie pressostat, il est nécessaire d'utiliser une diode de roue libre ou une varistance.
- 4) Utiliser un câble blindé contre les parasites et les effets électrostatiques.
- 5) Le corps de la vanne doit être relié à la terre par l'intermédiaire de la borne de masse PE (ØM4).

BROCHAGE DU CONNECTEUR / REPERAGE DU CÂBLE



Vue du côté souder

broche	description	câble 5 fils (2m)	câble 6 fils (5m, 10m)
1	Alimentation en tension + 24Vcc	marron	marron
2	Entrée de la consigne analogique	blanc	blanc
3	Masse d'alimentation	bleu	vert
	Masse analogique *		jaune
4	Sortie analogique (valeur de retour) ¹	noir	rose
5	Sortie numérique (pressostat)	gris	gris
enveloppe	Blindage CEM	blindage	blindage

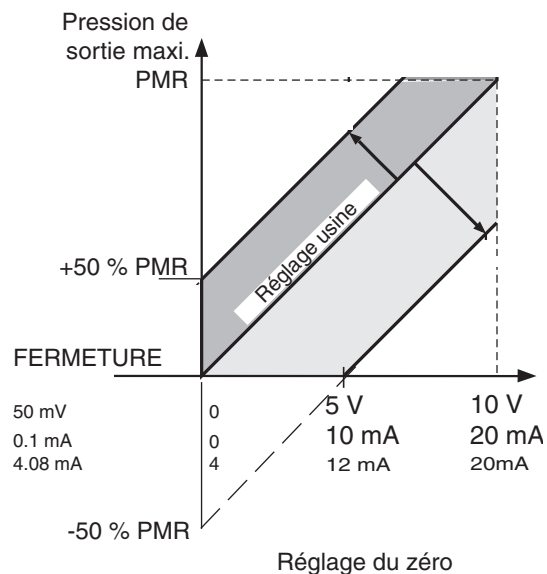
* Un câble de 6 fils avec masse analogique séparée est utilisé pour les longueurs de câble de plus de 2 m afin de compenser la chute de tension pour la consigne.

¹ Sera une entrée analogue avec la régulation en cascade

3. CONSIGNE ANALOGIQUE - PRESSION DE SORTIE

Décalage du zéro

Le réglage du point zéro de consigne peut être effectué par le programme *DaS*. Dans le menu «Paramètres», dans l'onglet «Consigne», sélectionner «Personnalisé». La plage du zéro est au maximum de $\pm 50\%$.

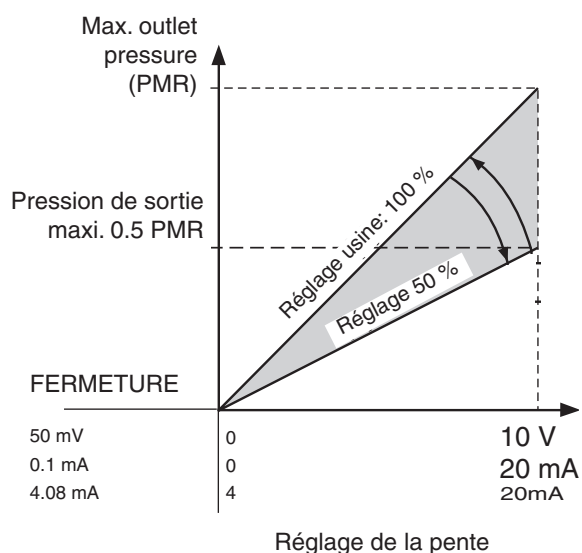


Pression de sortie maxi. PMR (bar)	Pression d'entrée maxi. PMA (bar)
3 bar	6
6 bar	9
10 bar	13

ATTENTION: Il n'est pas possible de régler une pression de sortie plus élevée que la pression de sortie maximale (PMR). Pour éviter que le capteur soit endommagé, la pression d'alimentation doit être toujours inférieure à la pression maximale admissible (PMA) définie ci-dessus (voir tableau).

Modification de la pente

Le réglage de la pente de la consigne peut être effectué par le programme *DaS*. Dans le menu «Paramètres», dans l'onglet «Consigne», sélectionner «Personnalisé». L'étendue est entre 10 et 100%.



L'étendue peut être réglée à 100% de la pression maximale de régulation (PMR). La pression ne peut qu'être diminuée.

4. RACCORDEMENTS PNEUMATIQUES

Le sens de circulation de l'air est de 1 vers 2, et 2 vers 3 pour une mise à l'atmosphère.



Les 3 orifices sont disponibles avec un taraudage Gaz.

Chaque connexion vissée doit être montée avec un joint d'étanchéité synthétique adapté.

N'utilisez pas de ruban d'étanchéité en Teflon ou de chanvre car ils pourraient pénétrer à l'intérieur de la vanne et l'endommager.

Utilisez un silencieux approprié pour l'orifice (3). Le temps de purge peut varier suivant le type de silencieux utilisé. Le diamètre des conduits pneumatiques doit être adapté suivant le diamètre nominal de la vanne. Le diamètre de la ligne de sortie (2) doit être plus grand ou égal à celui de la ligne d'entrée (1).

La pression d'alimentation doit être toujours inférieure à la valeur donnée dans le tableau de la section 3 et doit toujours être supérieure à la pression de sortie désirée.

5. REGLAGES USINE

- 0 bar pression de sortie pour une consigne de 0 V / 0 mA / 4 mA.
- Plage de pression : 0 - 3 bar : = 3 bar à 10 V / 20 mA
 0 - 6 bar : = 6 bar à 10 V / 20 mA
 0 - 10 bar : = 10 bar à 10 V / 20 mA
- Hystérésis minimal.
- Les paramètres de contrôle, l'écart de la consigne, la pente de consigne et la taille de la fenêtre de la sortie numérique (pressostat) sont programmés en usine.

Paramètres de réglage : réglage usine

Réglage du zéro: 0 %

Réglage de la pente : 100 %

Réglage rampe : pas de rampe

Shut off (fermeture) : On; la vanne est mise à l'échappement pour une consigne inférieure à 0,5% de la PMR

Structure du régulateur : PID

Gain proportionnel : 4,0

Temps d'intégration : 0,1 sec

Temps de dérivation : 8 millisec.

6. REGLAGES PROGRAMMABLES SUR SITE

AFFICHAGE / LECTURE DE PRESSION

La pression de sortie actuelle est affichée au cours d'un fonctionnement normal. Voir la section «Paramètres / Affichage».

Autres affichages :

Hnd indique que le mode Manuel a été sélectionné.

SOF Erreur interne de contrôle de la pression. Remplacer la vanne ou contacter notre Support Technique.

Err Dépassement de capacité de l'affichage

AEr Dépassement de capacité du circuit Auto Zéro. Contacter notre Support Technique.

BOUTONS-POUSOIRS

Pour passer en mode Manuel, appuyez et maintenez enfoncés les deux boutons-poussoirs simultanément pendant la mise sous tension. «Hnd» apparaît à l'affichage.

Utilisez le bouton Δ pour augmenter la pression de sortie et le bouton ∇ pour la diminuer. La pression de sortie actuelle est affichée.

En appuyant brièvement sur les boutons, vous pouvez effectuer de petites modifications de la pression nominale.

En appuyant plus longtemps, vous pouvez effectuer des modifications rapides de la pression.

Appuyez simultanément sur les deux boutons-poussoirs pour sortir du mode Manuel.

7. CARACTERISTIQUES TECHNIQUES

CONSTRUCTION

Vanne à commande directe

Corps: Aluminium

Pièces internes: POM

Garnitures: Perbunan (NBR), fluorelastomère (FKM)

Degré de protection: IP65

INSTALLATION

Position de montage indifférente; pour une performance optimale, corps vertical, tête magnétique dirigée vers le haut.

Air: filtré à 50 μm , sans condensats.

Connections: Ne pas utiliser de chanvre ni de ruban en téflon.

Raccordement électrique: La section de fils doit être choisie pour une chute de tension inférieure à 2 volts avec un courant de 2A.

7.1 CARACTERISTIQUES FLUIDES

FLUIDES CONTROLES : Air ou gaz neutre, filtré 50 μm , sans condensat, lubrifié ou non

RACCORDEMENT : G1/8-G1/4-G3/8, voir section 3

PRESSION D'ENTREE MAXI : voir section 3

TEMPERATURE / FLUIDE : 0...60 °C

TEMPERATURE / AMBIANTE : 0...50 °C

HYSTERESIS : <1% du maxi de la plage de régulation (PMR)

LINEARITE : <0,5% de PMR

REPRODUCTIBILITE : <0,5% de PMR

CONSIGNE MINIMALE : 100mV (0,2 mA/4,2mA) avec fonction de fermeture

PRESSION DE SORTIE MINIMALE : 1% de PMR

7.2 SPECIFICATIONS

Diamètre nominal DN (mm)	Tension * (stabilisée)	Puissance maxi. (W)	Courant maxi (mA)	Classe d'isolation	Degré de protection	Débit		Raccordement électrique
						Kv Nm ³ /h	l/min (ANR)	
4	24 V = +15%/-10%	21	850	H	IP 65	0,25	470	Connecteur M12 à 5 broches femelles
8		40	1650			0,7	1300	

* Taux d'ondulation résiduelle: 10 %

Conditions de test selon la norme ISO 8778: Température: 20 °C, pression d'entrée relative: 6 bar, pression de sortie relative: 5 bar

Entrée de consigne : 0 ... 10 V (impédance d'entrée 100 kOhm)
0 ... 20 mA / 4 ... 20 mA (impédance d'entree 250 Ohm)

Sortie de retour : 0 ... 10 V (max. 10 mA), protégée contre les courts-circuit
0 ... 20 mA / 4 ... 20 mA (24 VCC maxi.)

Sortie numérique : pnp; collecteur ouvert; 200 mA maxi./4,8W, protégée contre les courts-circuit
High (24 VCC) si retour=consigne
Low (ouvert) si retour≠consigne

Surtension : Fermeture lorsque la tension dépasse 30 volts (+10%).

Sous-tension : Fermeture lorsque la tension tombe au-dessous de 19,5 volts (-10 %).

8. ACCESSOIRES

description	code
Connecteur femelle droit M12 à 5 broches, avec bornes à vis	88100256
Connecteur femelle coudé M12 à 5 broches, avec bornes à vis	88100725
Câble d'alimentation en tension 2 m, 5 x 0,25 mm ² , connecteur droit	88100726
Câble d'alimentation en tension 2 m, 5 x 0,25 mm ² , connecteur coudé	88100727
Câble d'alimentation en tension 5 m, 6 x 0,56 mm ² , connecteur droit	88100728
Câble d'alimentation en tension 5 m, 6 x 0,56 mm ² , connecteur coudé	88100729
Câble d'alimentation en tension 10 m, 6 x 0,56 mm ² , connecteur droit	88100730
Câble d'alimentation en tension 10 m, 6 x 0,56 mm ² , connecteur coudé	88100731
Convertisseur de câble RS-232, longueur de câble 2 m avec connecteur Sub D à 9 broches (enfichable)	88100732
Convertisseur de câble RS-232, longueur de câble 2 m avec connecteur Sub D à 9 broches (vissable)	88100970
Embase juxtaposable pour 608 (DN 4 mm) avec G 3/8", alimentation en pression et échappement communs	35500558
Embase juxtaposable pour 609 (DN 8 mm) avec G 1/2", alimentation en pression et échappement communs	35500559
Interface de programmation USB, 2m câble	N50930300100000

9. MAINTENANCE ET ENTRETIEN

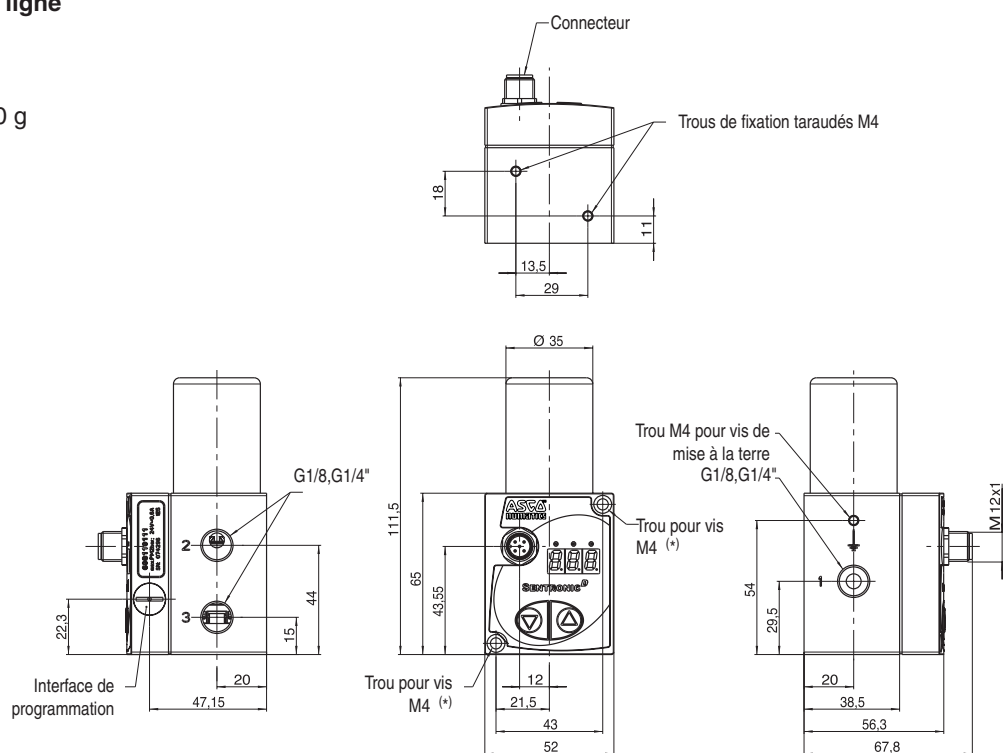
Aucune maintenance ni entretien n'est nécessaire.

10. ENCOMBREMENTS ET MASSES

Version en ligne

DN 4

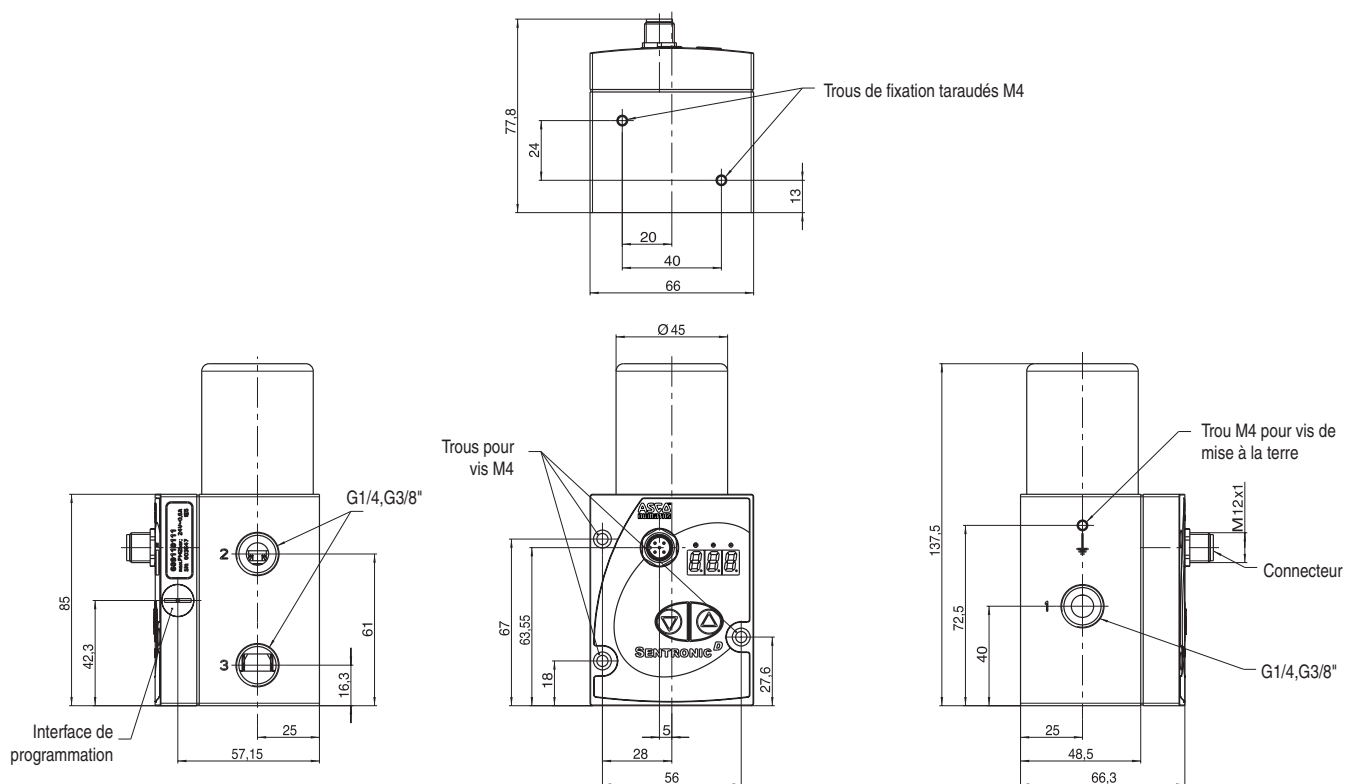
Masse : 550 g



(*) Enlever les vis pré-installées pour utiliser les trous traversants pour monter la vanne.

DN 8

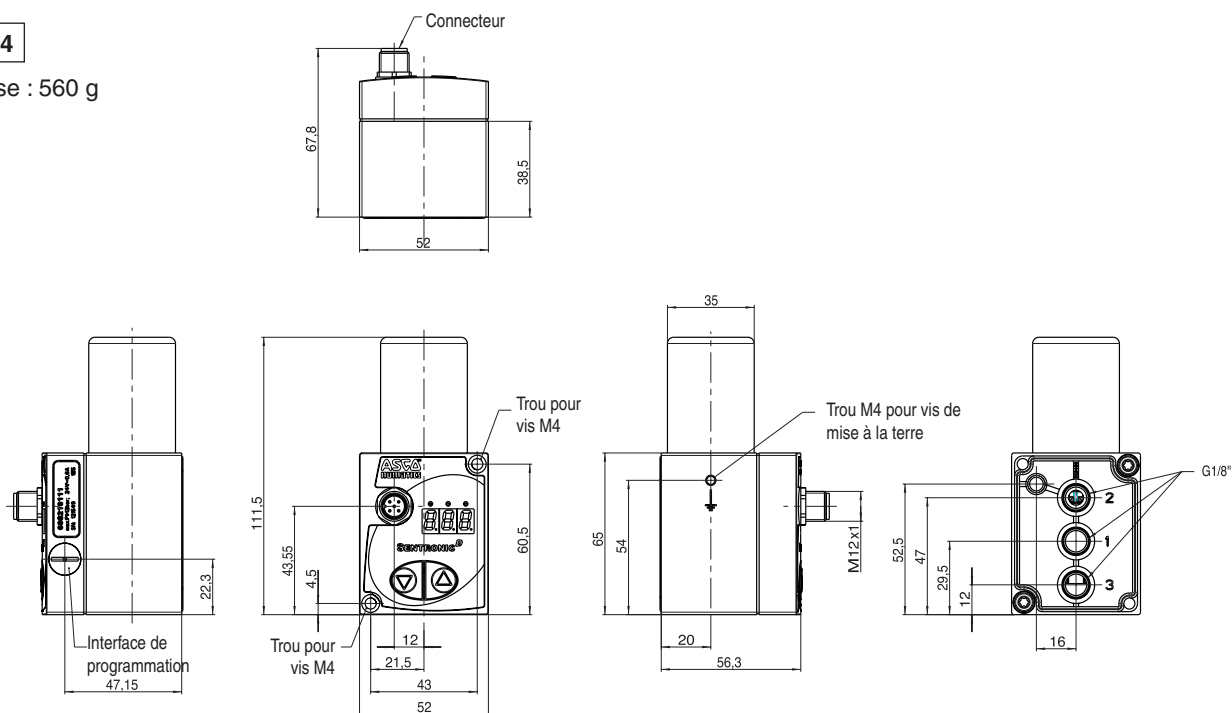
Masse : 900 g



Version à applique

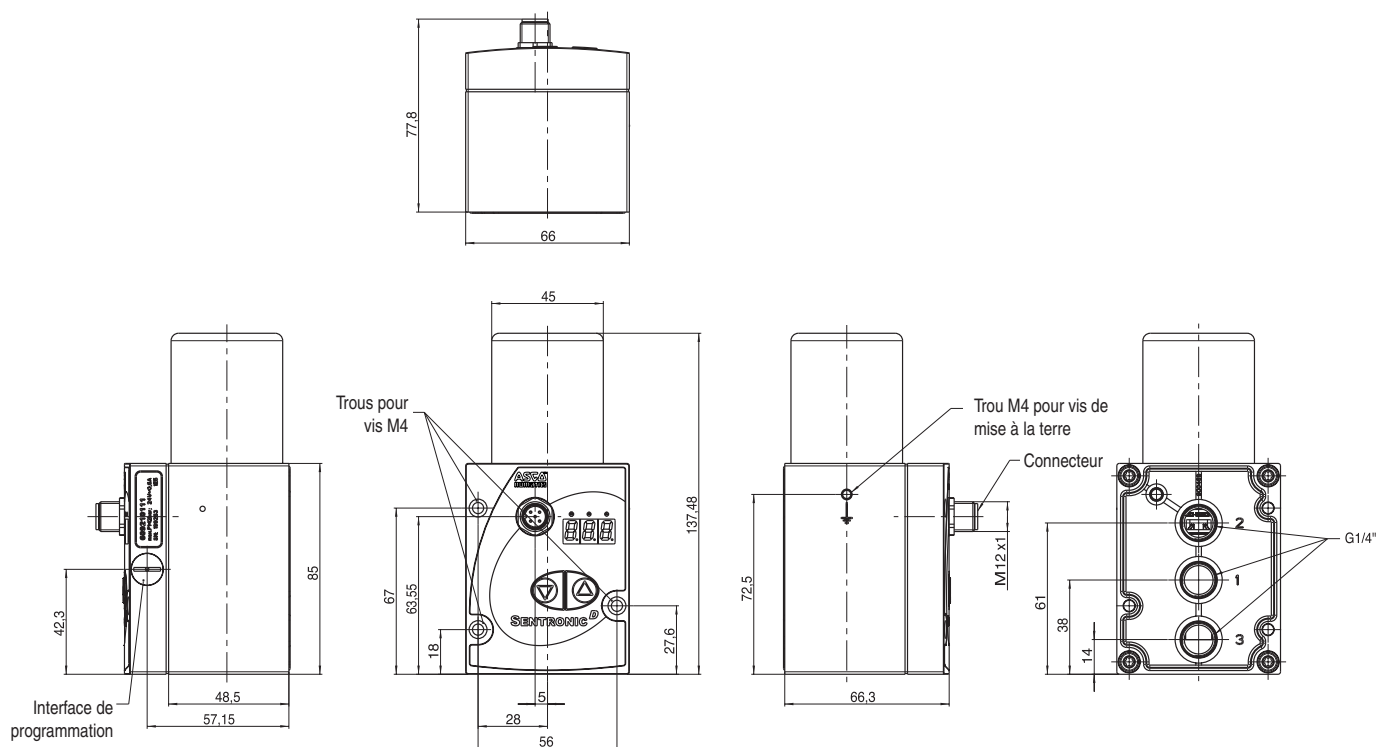
DN 4

Masse : 560 g



DN 8

Masse : 1.130 g



SENTRONIC^D

Digitaler Druckregler

Baureihe 608/609

mit Anzeige und Einstelltasten

Installationshandbuch



IM14120-DE.R9
(383 47 48)

DE

ASCOTM

INHALT

1.	Beschreibung	29
1.1	Artikel-Nr.....	29
1.2	Bedienelemente.....	30
1.3	Manuelle Druckverstellung	30
1.4	Betriebszustände	30
2.	Elektrischer Anschluss	31
3.	Analoger Sollwert - Ausgangsdruck	32
4.	Pneumatischer Anschluss	33
5.	Angaben zur werkseitigen Einstellung	33
6.	Einstellmöglichkeiten.....	34
7.	Technische Daten.....	34
7.1	Fluidtechnische Daten	34
7.2	Kennwerte.....	34
8.	Zubehör	35
9.	Wartung und Pflege.....	35
10.	Abmessungen und Gewichte.....	36



ACHTUNG

VORSICHT BEI HANDHABUNG
VON ELEKTROSTATISCH
GEFÄHRDETEN
BAUTEILEN (EGB)

Dieses Produkt enthält elektronische Bauteile, die gegenüber elektrostatischen Entladungen (ESD) empfindlich sind. Berührungen der elektrischen Bauteile durch Personen oder Gegenstände können zu einer elektrostatischen Entladung führen, die das Produkt beschädigt oder zerstört. Um das Risiko einer elektrostatischen Entladung zu vermeiden, sind die Handhabungshinweise und Empfehlungen nach EN 100015-1 zu beachten. Zum elektrischen Anschließen oder Trennen des Produkts ist die Versorgungsspannung abzuschalten.



ACHTUNG! Wenn die Programmierschnittstelle am Ventil benutzt wird, können gefährliche Betriebszustände auftreten, da das Ventil möglicherweise nicht mehr auf den angelegten analogen Sollwert reagiert. Bei Inbetriebnahme und vor Änderungen der Ventileinstellungen sind Vorkehrungen gegen unkontrollierte Bewegung von Anlagenteilen zu treffen.

Hiermit erklären wir, dass das in diesem Installationshandbuch beschriebene Gerät in der von uns gelieferten Ausführung zum Einbau oder Zusammenbau mit anderen Maschinen bestimmt ist, und dass die Inbetriebnahme so lange untersagt ist, bis festgelegt wurde, dass die Maschine in die das Gerät eingebaut werden soll, den Bestimmungen der Richtlinie 2006/42/EG entspricht.

Die Handhabung, Montage und Inbetriebnahme, sowie Einstell- und Justierarbeiten dürfen ausschließlich von autorisiertem Fachpersonal durchgeführt werden.



Dieses Produkt entspricht der Richtlinie 2014/30/EU und deren Ergänzungen über die Elektromagnetische Verträglichkeit. Es ist nach CE zugelassen. Eine Konformitätserklärung steht auf Anfrage zur Verfügung.

Geben Sie bitte für die entsprechenden Produkte die Artikelnummer und Seriennummer an.

ANMERKUNGEN

DIE IN DIESEM HANDBUCH ENTHALTENEN ANGABEN KÖNNEN OHNE VORHERIGE ANKÜNDIGUNG GEÄNDERT WERDEN.

ASCO NUMATICS übernimmt keinerlei Haftung für technische oder redaktionelle Fehler oder Ungenauigkeiten oder für versehentlich entstehende Schäden oder Folgeschäden, die durch die Bereitstellung dieses Handbuchs oder aus der Anwendung desselben entstehen.

DAS VORLIEGENDE HANDBUCH ENTHÄLT URHEBERRECHTLICH GESCHÜTZTE ANGABEN. KEIN TEIL DIESES HANDBUCHS DARF OHNE VORHERIGE SCHRIFTLICHE GENEHMIGUNG VON ASCO NUMATICS AUF IRGENDNEINE ART UND WEISE VERVIELFÄLTIGT ODER ÜBERTRAGEN WERDEN.

COPYRIGHT © 2016 - ASCO NUMATICS - Alle Rechte vorbehalten.

1. BESCHREIBUNG

Es handelt sich um eine neue Generation elektronischer Druckregler, die auf der Basis einer verbesserten digitalen Steuerung entwickelt wurde.

Der Name **SENTRONIC^D** steht für:

- Digitale Steuerung
- Integrierte Anzeige
- Direkte Regelung des Ausgangsdrucks
- Dynamisches Verhalten (High-Speed)

Die digitale Steuerung bietet viele Vorteile bei der Installation und der Inbetriebnahme sowie erweiterte Möglichkeiten, das **SENTRONIC^D**-Ventil an die verschiedensten Anwendungen anzupassen.

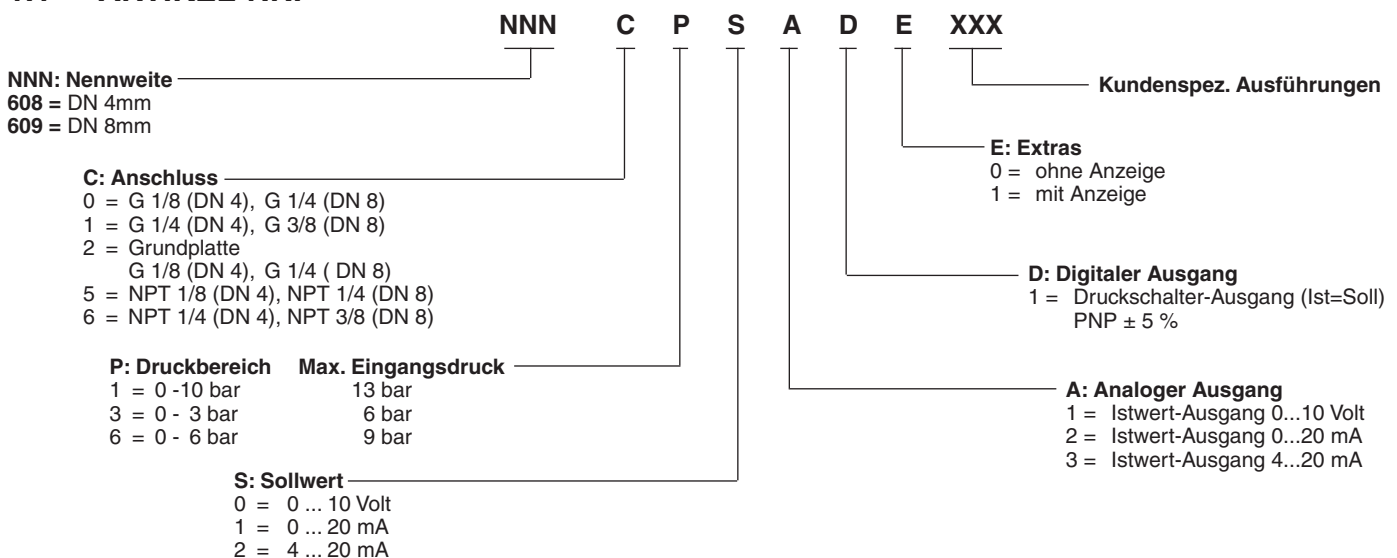
Die folgenden vier Grundversionen stehen zur Verfügung:

- Mit Anzeige und zwei Drucktasten : Druck-Anzeige, manuelle Druckeinstellung und Diagnose LEDs
- Ohne Anzeige und Drucktasten : die kostengünstige Lösung
- Nennweite DN 4mm : mit einem Durchsatz von 470 NI/min.
- Nennweite DN 8mm : mit einem Durchsatz von 1300 NI/min.

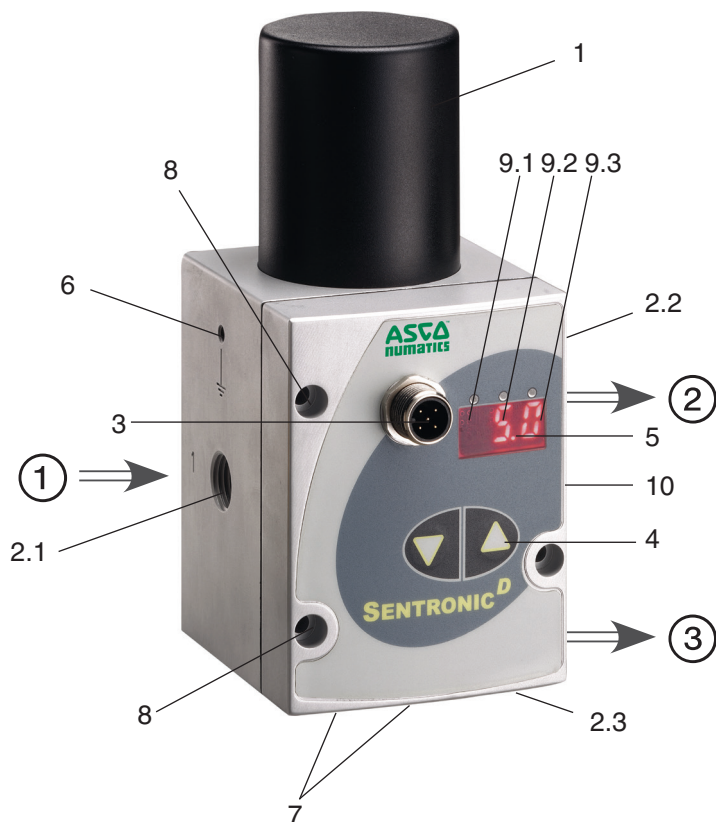
Verschiedene pneumatische Anschlüsse: integrierte Anschlüsse, rückseitiger Anschluss sowie Montage auf Grundplatte.

- Die Druck- und Entlüftungsanschlüsse sind in derselben Größe ausgeführt, was sowohl bei der Erhöhung als auch bei der Verringerung des Drucks zu kurzen Ansprechzeiten führt.
- Digitale Drucksteuerung im geschlossenen Kreis: Ein interner Drucksensor vergleicht den Sollwert am Eingang mit dem Ausgangsdruck. Der Ausgangsdruck wird in Echtzeit eingeregelt.
- Regelparameter können mit der zusätzlichen, DaS genannten Software geändert werden: Die volle Veränderbarkeit der vom Ventil verwendeten Parameter wird vom DaS-Programm (Data Acquisition Software) gewährleistet. Diese Flexibilität ermöglicht es, das Ventil an die verschiedensten Anwendungen anzupassen und die Ansprechzeit, das Überschwingen und die Präzision des Ventils zu optimieren.
- Nach der Bestimmung der optimalen Parameter können diese zum persönlichen Gebrauch in einer Projekt-Datei gespeichert werden, die auch für eine zukünftige Serien-Produktion an unsere Abteilung Product Support eingesandt werden kann.

1.1 ARTIKEL-NR.



1.2 BEDIENELEMENTE



- 1 Proportionalmagnet
- 2.1 Druckversorgung
- 2.2 Druckausgang
- 2.3 Entlüftung
- 3 Elektrische Versorgung, M12-Stecker
- 4 Bedientasten
- 5 3-stellige Anzeige für den Ausgangsdruck
- 6 Anschluss für Schutzerde, M4
- 7 Befestigung, Gewinde M4/6 mm
- 8 Befestigungslöcher für M4-Schrauben
- 9.1 Grüne LED
 - AUS: Soll ≠ Ist
 - EIN: Soll = Ist
 - Blinkend: Übertemperatur
- 9.2 Gelbe LED
 - AUS: Normal
 - EIN: Handbetrieb
 - Blinkend: AUTOSAFE eingeschaltet
- 9.3 Rote LED
 - AUS: Normal
 - EIN: Unterspannung
 - Blinkend: Überspannung
- 10 Serielle Kommunikation (PC-Anschluss)

1.3 MANUELLE DRUCKVERSTELLUNG (HANDBETRIEB)

Wird die Versorgungsspannung unterbrochen, wird nach einem erneuten Zuschalten der Versorgungsspannung und bei gleichzeitigen Drücken der beiden Pfeiltasten unterhalb des Displays in den Betriebszustand „Handbetrieb“ gewechselt. Dieser Betriebszustand wird im Display durch die Zeichen "H n d" angezeigt.

Die Anzeige "H n d" verschwindet nach Loslassen der Pfeiltasten.

Mittels der Pfeiltasten kann der Ausgangsdruck (linke Pfeiltaste bzw. Pfeilrichtung nach unten => Reduzierung des Ausgangsdruckes, rechte Pfeiltaste bzw. Pfeilrichtung nach oben => Erhöhung des Ausgangsdruckes) verändert werden.

Dieser Betriebszustand kann durch das gleichzeitige Drücken beider Pfeiltasten oder durch das kurzzeitige Abtrennen der Versorgungsspannung verlassen werden.

1.4 BETRIEBSZUSTÄNDE

Shutoff:

Wird der Sollwert kleiner 0,5 %, so wird der Proportionalmagnet stromlos geschaltet und das Ventil entlüftet vollständig.

Übertemperatur:

Erreicht die interne Regelektronik eine Temperatur größer 100 °C, so wird AUTOSAFE eingeschaltet und die grüne LED blinkt.

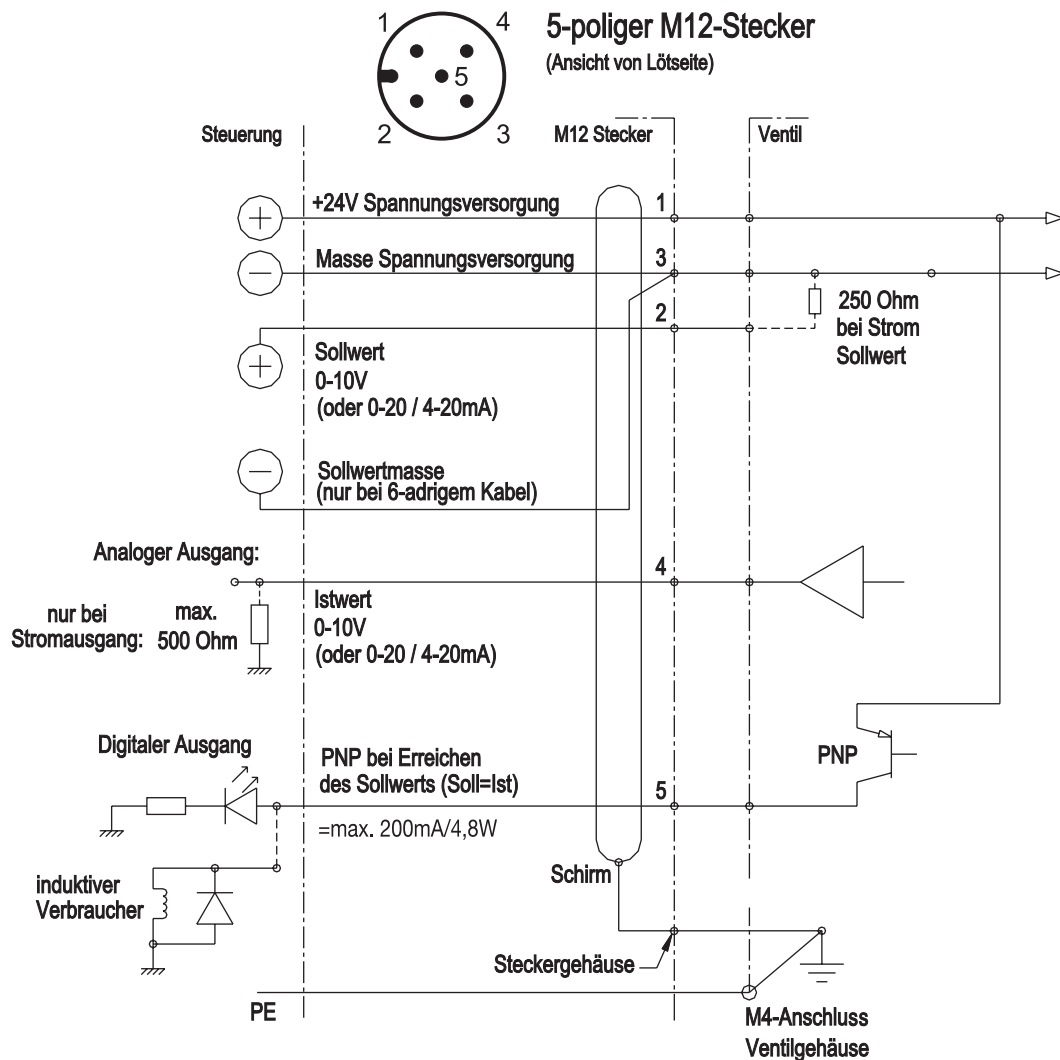
Unter-/Überspannung:

wird die Versorgungsspannung kleiner 20 V oder größer 30 V, so wird der Proportionalmagnet abgeschaltet und das Ventil entlüftet vollständig. Die rote LED leuchtet (Unterspannung) oder blinkt (Überspannung).

Autosafe:

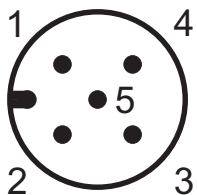
Überschreitet der Magnetstrom für länger als 20 Sekunden einen Wert von 1000 mA (DN 8) bzw. 560 mA (DN 4), so wird der Ausgangsstrom alle 4 Sekunden auf 70% reduziert, um eine Überhitzung des Ventils zu vermeiden. Die gelbe LED blinkt.

2. ELEKTRISCHER ANSCHLUSS



1. Das Ventil darf nur mit einer Versorgungsspannung von 24VDC +15%/-10% und einer maximalen Welligkeit von 10% betrieben werden. (Eine Einspeisung über Diodenbrücke ist nicht gestattet). Überspannungen und Welligkeiten außerhalb dieser Toleranzen können zu einer Beschädigung der Elektronik führen.
2. Der maximale Strom des Druckschalters beträgt 200 mA/4,8W (PNP-Ausgang). Der Ausgang ist gegen Kurzschluss und Überlast geschützt.
3. Bei Anschluss eines Relais (induktive Last) an den Druckschalterausgang ist eine PNP Freilaufdiode oder ein Varistor zu verwenden.
4. Zum Schutz gegen Störungen und elektrostatische Effekte ist ein abgeschirmtes Kabel zu verwenden.
5. Das Ventilgehäuse ist mit Hilfe der Erdungsklemme (ØM4) zu erden.

STECKERBELEGUNG / KABELBELEGUNG



Ansicht von der Lötseite

Pin	Beschreibung	5-adr. Kabel (2m)	6-adr. Kabel (5m, 10m)
1	24V-Spannungsversorgung	braun	braun
2	Analoger Sollwert-Eingang	weiß	weiß
3	Versorgung Masse	blau	grün
	Analoge Masse *		gelb
4	Analoger Ausgang (Istwert) ¹	schwarz	rosa
5	Digitaler Ausgang (Druckschalter)	grau	grau
Gehäuse	EMV-Abschirmung	Schirm	Schirm

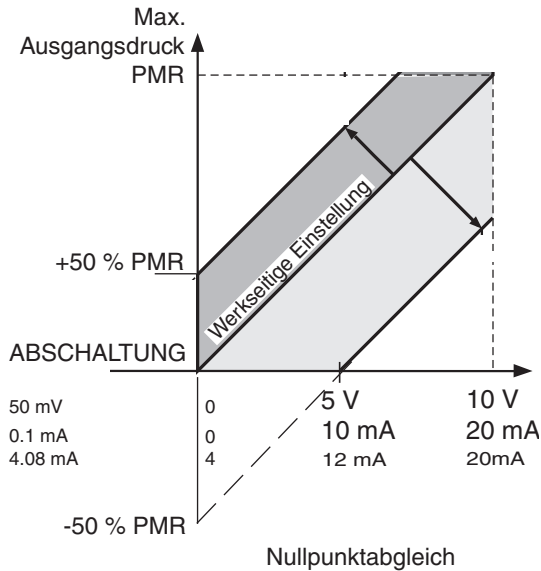
* Bei Kabellängen größer 2 m wird ein 6-poliges Kabel mit separater Analogmasse verwendet, um den Spannungsabfall für den Sollwert auszugleichen.

¹ bei Kaskadenregelung analoger Eingang

3. ANALOGER SOLLWERT - AUSGANGSDRUCK

Sollwert-Nullpunkt

Der Druck-Nullpunkt des Sollwerts kann über das *DaS*-Programm verändert werden. Hierzu im Abschnitt "Sollwerteneinstellung" auf "Kunde" umschalten. Der Einstellbereich für den Nullpunkt ist maximal $\pm 50\%$.



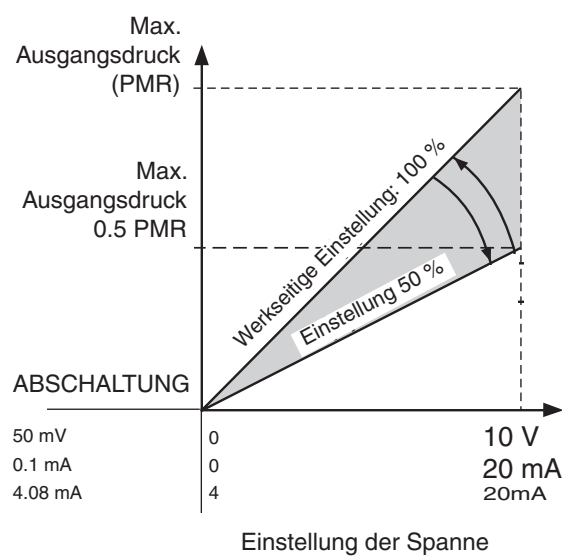
Max. Ausgangsdruck PMR (bar)	Max. Eingangsdruck MAP (bar)
3 bar	6
6 bar	9
10 bar	13

WARNUNG: Ausgangsdrücke größer als PMR werden vom Ventil nicht geregelt, d.h. der max. Ausgangsdruck wird auf PMR begrenzt.

Um eine **Beschädigung des Sensors** zu vermeiden, **sollte der Versorgungsdruck immer kleiner als der maximale Eingangsdruck (MAP) sein** (siehe Tabelle).

Sollwert-Spanne

Die Druck-Spanne des Sollwerts kann über das *DaS*-Programm verändert werden. Hierzu im Abschnitt "Sollwerteneinstellung" auf "Kunde" umschalten. Der Einstellbereich für die Spanne ist 10 ... 100 %.



Die Spanne kann maximal auf 100 % PMR eingestellt werden. Es ist nur eine Reduzierung möglich.

4. PNEUMATISCHER ANSCHLUSS

Die pneumatische Durchflussrichtung ist von Anschluss 1 nach 2.



Es sind zöllige Verschraubungen (Rohrgewinde) zu verwenden.

Jede Verschraubung ist mit einem passenden Kunststoffdichtring zu unterlegen.

Teflondichtband und Hanf dürfen nicht verwendet werden, da sie in das Innere des Ventils gelangen können.

An der Entlüftung (3) ist ein passender Schalldämpfer zu verwenden. Je nach verwendetem Schalldämpfer kann sich die Entlüftungszeit verlängern.

Der Querschnitt der Pneumatikleitungen ist der Nennweite des Ventils anzupassen. Die Ausgangsleitung (2) sollte im Querschnitt größer oder gleich der Eingangsleitung (1) sein.

Der Versorgungsdruck muss immer geringer als der in der Tabelle in Abschnitt 3 angegebene Wert sein, jedoch immer größer als der gewünschte Ausgangsdruck.

5. ANGABEN ZUR WERKSEINSTELLUNG

- Ausgangsdruck 0 bar bei einem Sollwert von 0 Volt.
- Spanne: 3 bar-Gerät =3 bar bei 10 V / 20 mA
6 bar-Gerät =6 bar bei 10 V / 20 mA
10 bar-Gerät =10 bar bei 10 V / 20 mA
- Minimale Hysterese.
- Die Regelparameter, der Nullpunkt, die Spanne und die Fensterbreite des Digitalausganges (Druckschalter) sind werkseitig programmiert.

Parametersatz: Werk

Nullpunkt: 0 %

Spanne: 100 %

Sollwertrampe: keine

Shutoff: EIN; bei Sollwert kleiner 0,5 % entlüftet das Ventil

Reglerstruktur: PID

Proportionalverstärkung: 4,0

Integrationszeit: 0,1 sec

Differentialzeit: 8 msec

6. EINSTELLMÖGLICHKEITEN

DISPLAY/DRUCKANZEIGE

Im Normalbetrieb wird hier der aktuelle Ausgangsdruck angezeigt. Siehe <Parameter/Display Abschnitt>.

Andere Anzeigen im Display:

Hnd Zeigt, dass der Handbetrieb aufgerufen wurde

SOF Interner Fehler der Druckregelung. Ventil austauschen oder unseren Product Support anrufen.

Err Interner Überlauffehler.

AEr Auto-Zero-Überlauffehler. Setzen Sie sich bitte mit unserem Product Support in Verbindung.

DRUCKTASTEN

Um den Handbetrieb aufzurufen, beide Tasten gedrückt halten und die Versorgungsspannung einschalten.

Im Display erscheint die Anzeige "Hnd".

Die Taste "AUF" benutzen, um den Ausgangsdruck zu erhöhen, und die Taste "AB", um den Ausgangsdruck zu erniedrigen. Im Display wird der aktuelle Ausgangsdruck angezeigt.

Kurzes Betätigen der Tasten ergibt kleine Druckänderungen.

Langes Betätigen der Tasten führt zu schnellen Druckänderungen.

Beide Tasten gleichzeitig drücken um den "Handbetrieb" zu verlassen.

7. TECHNISCHE DATEN

KONSTRUKTIONSMERKMALE

Direktgesteuertes Ventil

Gehäuse: Aluminium

Innenteile: POM

Dichtungen: Perbunan (NBR), Fluorelastomer (FKM)

Schutzart: IP65

EINBAU

Einbaulage: beliebig, vorzugsweise vertikal mit Magnet nach oben

Luft: gefiltert 50 µm, kondensatfrei

Anschlüsse: Ohne Hanf oder Teflon-Band

Elektrischer Anschluss: Drahtquerschnitt so wählen, dass bei 2A ein Spannungsabfall von weniger als 2 Volt auftritt.

7.1 FLUIDTECHNISCHE DATEN

MEDIUM : Luft oder neutrales Gas, gefiltert 50 µm, kondensatfrei, geölt oder ungeölt

ANSCHLÜSSE : G1/8-G1/4-G3/8, siehe Abschnitt 3

MAX. EINGANGSDRUCK : siehe Abschnitt 3

TEMPERATUR / MEDIUM : 0...60 °C

TEMPERATUR / UMGEBUNG : 0...50 °C

HYSTERESE : <1% vom Endwert

LINEARITÄT : <0,5% vom Endwert

REPRODUZIERBARKEIT : <0,5% vom Endwert

MINDEST-SOLLWERT : 100mV (0,2 mA/4,2mA) mit Shut-off-Funktion

MINDEST-AUSGANGSDRUCK : 1% vom Endwert

7.2 KENNWERTE

Nennweite DN (mm)	Versorgungsspannung * (geregelt)	Leistungsaufnahme max. (W)	Stromaufnahme max. (mA)	Isolations- klasse	Schutzart	Durchfluss		Kabelanschluss
						Kv-Wert Nm ³ /h	NI/min	
4	24 V = + 15%/-10%	21	850	H	IP 65	0,25	470	5-polige Leitungsdose M12
8		40	1650			0,7	1300	

* Restwelligkeit: 10 %

Prüfbedingungen gemäß ISO 8778: Temperatur: 20 °C, relativer Eingangsdruck: 6 bar, relativer Ausgangsdruck: 5 bar

Sollwerteingang : 0 ... 10 Volt (Eingangswiderstand 100 kOhm)
0 ... 20 mA / 4 ... 20 mA (Eingangswiderstand 250 Ohm)

Istwertausgang : 0 ... 10 Volt (max. 10 mA), kurzschlussfest
0 ... 20 mA / 4 ... 20 mA (max. 24 VDC)

Digitaler Ausgang : pnp; open collector; max. 200 mA/4,8W, kurzschlussfest
HIGH (24 VDC) für Ist=Soll
LOW (open) für Ist≠Soll

Überspannung : Abschaltung bei Versorgungsspannung größer 30 Volt (+ 10 %)

Unterspannung : Abschaltung bei Versorgungsspannung kleiner 19,5 Volt (-10 %)

8. ZUBEHÖR

Beschreibung	Artikel-Nr.
Gerade M12 Leitungsdose, 5-polig, mit Schraubklemmen	88100256
M12 Winkel-Leitungsdose, 5-polig, mit Schraubklemmen	88100725
Spannungsversorgungskabel 2 m, 5x0,25 mm ² , gerade Leitungsdose	88100726
Spannungsversorgungskabel 2 m, 5x0,25 mm ² , Winkel-Leitungsdose	88100727
Spannungsversorgungskabel 5 m, 6x0,56 mm ² , gerade Leitungsdose	88100728
Spannungsversorgungskabel 5 m, 6x0,56 mm ² , Winkel-Leitungsdose	88100729
Spannungsversorgungskabel 10 m, 6x0,56 mm ² , gerade Leitungsdose	88100730
Spannungsversorgungskabel 10 m, 6x0,56 mm ² , Winkel-Leitungsdose	88100731
RS-232-Umsetzer, 2 m Kabel mit 9-poligem Sub-D-Stecker (steckbar)	88100732
RS-232-Umsetzer, 2 m Kabel mit 9-poligem Sub-D-Stecker (schraubbar)	88100970
Anreihgrundplatte für 608 (DN 4 mm) mit G 3/8", gemeinsame Druckluftversorgung und Entlüftung	35500558
Anreihgrundplatte für 609 (DN 8 mm) mit G 1/2", gemeinsame Druckluftversorgung und Entlüftung	35500559
Parametrieradapter USB, 2 m Kabel	N50930300100000

9. WARTUNG UND PFLEGE

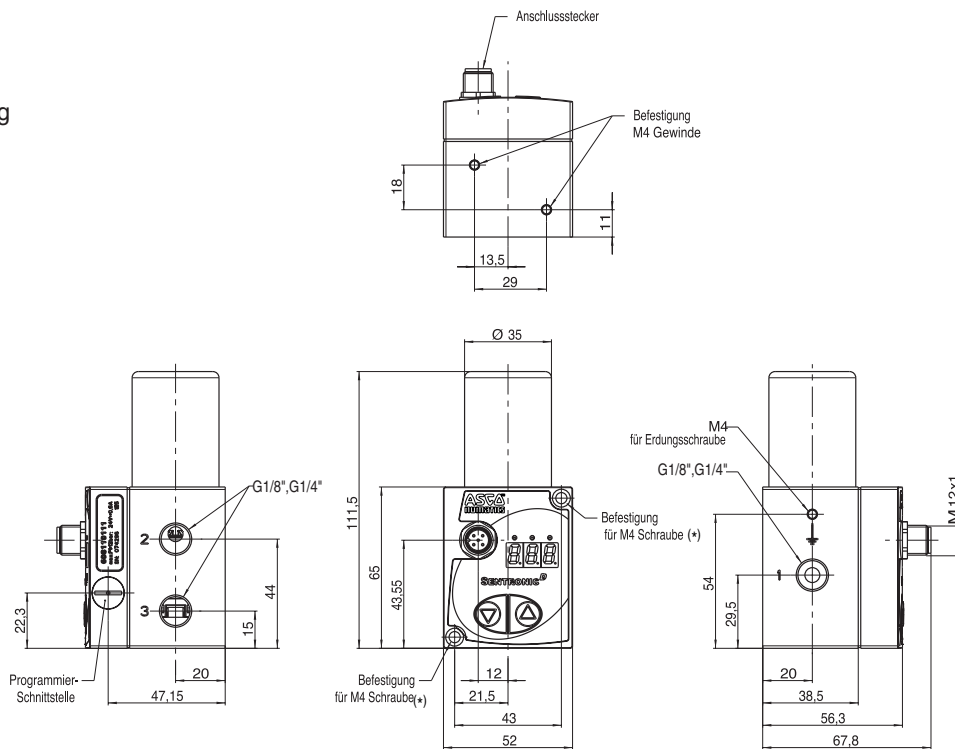
Keine besonderen Anforderungen.

10. ABMESSUNGEN UND GEWICHTE

Inline-Version

DN 4

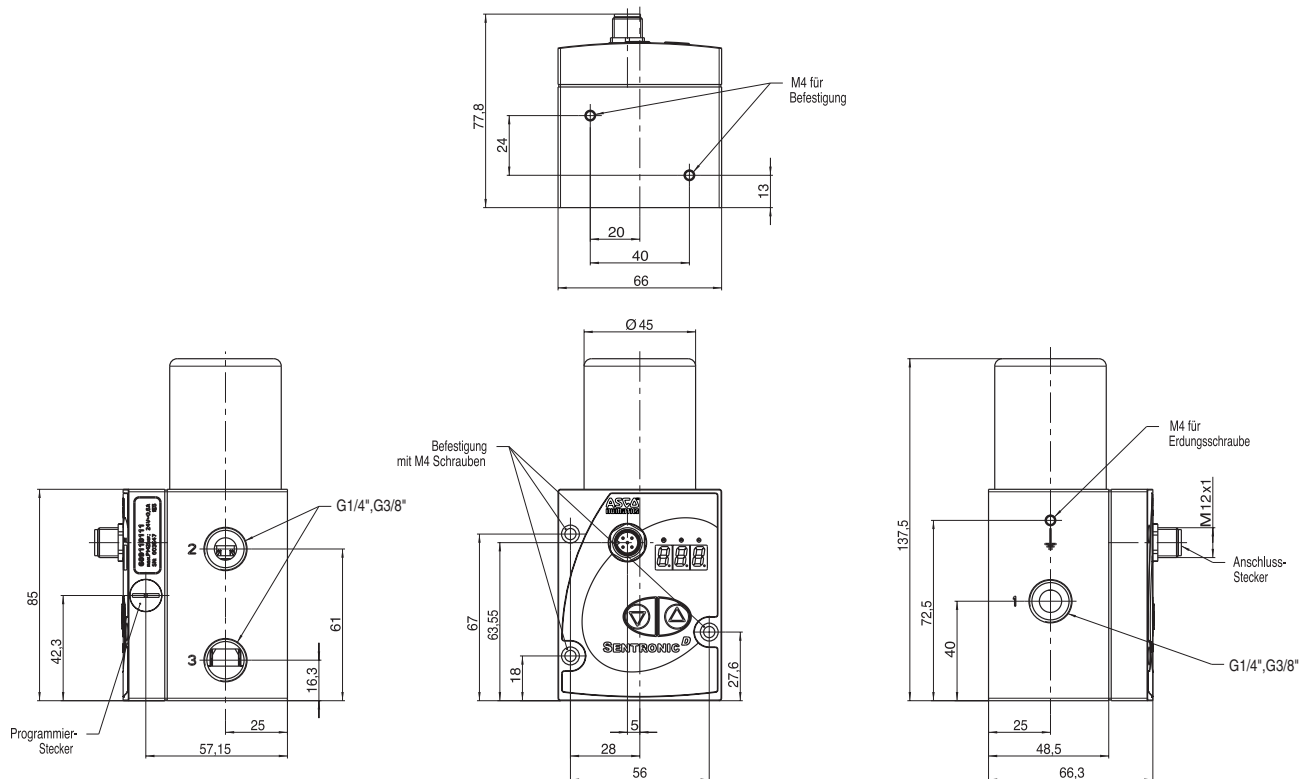
Gewicht: 550 g



(*) Bei Befestigung des Gerätes an den Durchgangsbohrungen entfernen Sie bitte die montierten Schrauben.

DN 8

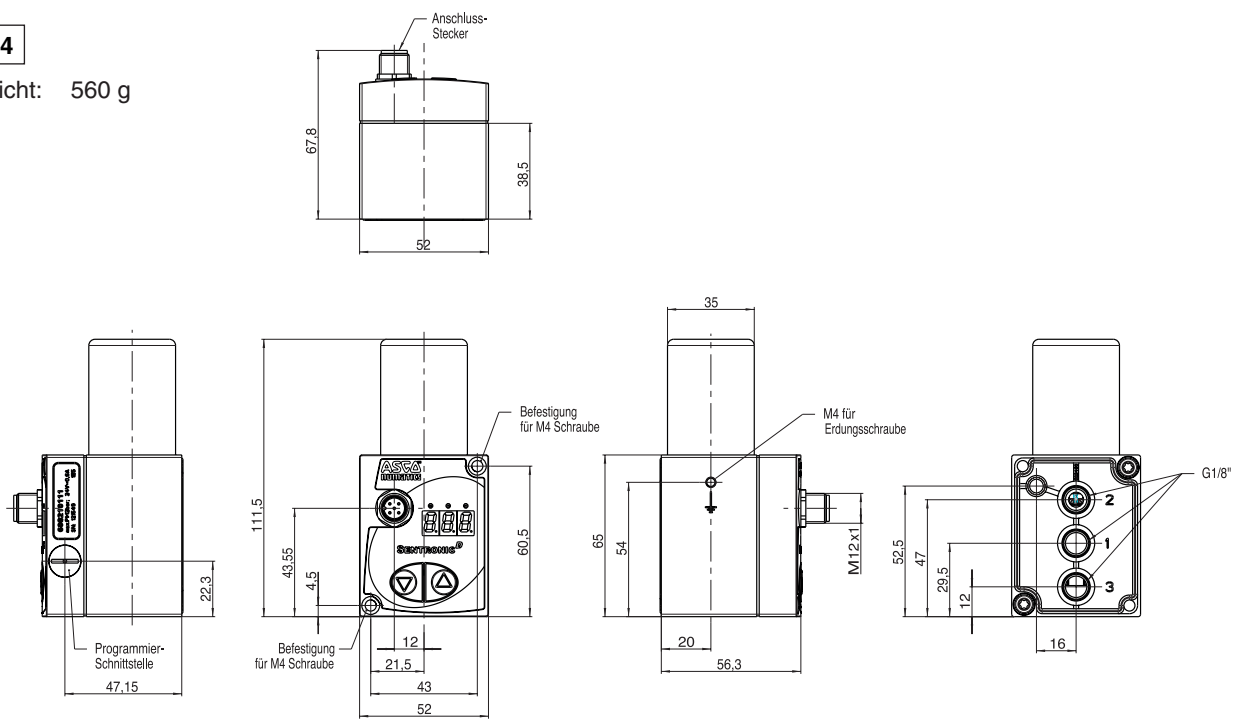
Gewicht: 900 g



Aufflansch-Version

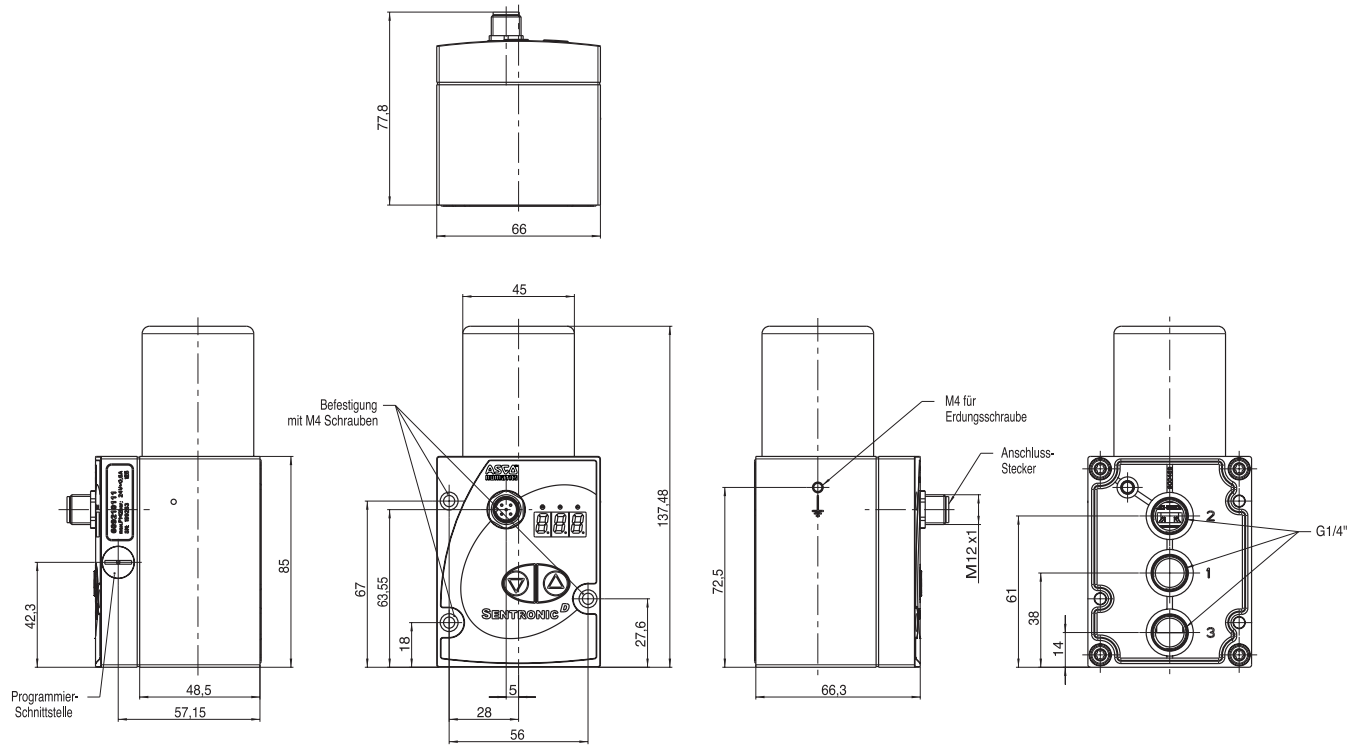
DN 4

Gewicht: 560 g



DN 8

Gewicht: 1.130 g



ASCO Numatics GmbH

Otto-Hahn-Straße 7-11
75248 Ölbronn-Dürrn
Germany

Tel: +49 7237 996-0
Email: asconumatics-de@emerson.com
www.asconumatics.eu