

Fisher™ 8532 High-Performance Butterfly Valve

Contents

Introduction	1
Scope of Manual	1
Description	1
Specifications	2
Educational Services	2
Installation	4
Valve Orientation	5
Before Installing the Valve	5
Adjusting the Actuator Travel Stops or Travel	8
Installing the Valve	8
Packing Adjustment and Shaft Bonding	11
Maintenance	12
Removing and Replacing the Actuator	13
Packing Maintenance	13
Removing the Valve	15
Seal Maintenance	16
PTFE Seals	17
NOVEX, Phoenix III and/or Phoenix III Fire-Tested Seals	18
Anti-Blowout Design, Packing, Valve Shaft, Disk, and Bearing Maintenance	19
Installing the Two-Piece Shaft	21
Gasket Retainer	22
Parts Ordering	23
Parts List	25

Figure 1. Fisher 8532 Valve with 1061 Actuator and FIELDVUE™ DVC6200 Digital Valve Controller



W9138-2

Introduction

Scope of Manual

This instruction manual provides installation, maintenance, and parts information for NPS 14 through 48 Fisher 8532 high-performance butterfly valves.



Do not install, operate, or maintain an 8532 valve without being fully trained and qualified in valve, actuator, and accessory installation, operation, and maintenance. To avoid personal injury or property damage, it is important to carefully read, understand, and follow all the contents of this manual, including all safety cautions and warnings. If you have any questions about these instructions, contact your [Emerson sales office](#) before proceeding.

Description

The valve is available in either a wafer (flangeless), lugged (single-flange), or double flange body design, with a variety of seals and internal components. The pressure-assisted seal provides tight shutoff. The spline or keyed drive shaft combines with a variety of actuators. Maximum inlet pressure/temperature ratings are consistent with CL150 and CL300.

Table 1. Specifications

<p>Valve Size and End Connection Styles</p> <p>■ NPS 14, ■ 16, ■ 18, ■ 20, ■ 24, ■ 30, ■ 36, ■ 42, or ■ 48 valves in ■ wafer (flangeless), ■ lugged (single-flange), or ■ double-flange valve bodies with raised-face flanges, CL150 or CL300</p> <p>Maximum Pressure Drop⁽¹⁾</p> <p>Consistent with CL150 and CL300 pressure/temperature ratings per ASME B16.34 NPS 30-48: CL150/150 construction has CL150 rated pressure retaining parts and 150 psid rated trim</p> <p>Shutoff Classification Per ANSI/FCI 70-2 and IEC 60534-4</p> <p>Standard Soft Seal: Bidirectional shutoff Class VI (bubble-tight)</p> <p>NOVEX Seal: Unidirectional shutoff Class IV (preferred flow direction only⁽³⁾), Class VI optional (excluding NPS 42 and 48)</p> <p>Phoenix III Seal: Bidirectional shutoff Class VI (bubble-tight)</p> <p>Phoenix III Seal for Fire-Tested Applications: Unidirectional shutoff Class VI (reverse flow direction only) (bubble-tight). Fire Tested per API 607 Rev. 4. For more information contact your Emerson sales office.</p> <p>Cryogenic: For cryogenic seal applications, consult your Emerson sales office.</p> <p>Available Seal Configurations</p> <p>Standard Constructions See figure 2 and table 2</p> <p>Standard Construction Materials</p> <p>See table 2</p>	<p>Flow Characteristic</p> <p>Modified equal percentage</p> <p>Flow Coefficients</p> <p>See Fisher Catalog 12</p> <p>Flow Coefficient Ratio⁽²⁾</p> <p>100 to 1</p> <p>Noise Levels</p> <p>See Fisher Catalog 12 for sound/pressure level prediction</p> <p>Valve Body Classification</p> <p>Wafer and Lugged face-to-face dimensions are in compliance with MSS SP68 and API 609 standards through NPS 24. Double Flange valve bodies comply with API 609 short face-to-face dimensions. Valve bodies are designed for installation between ASME B16.5 CL150 and CL300 raised-face flanges</p> <p>Disk Rotation</p> <p>Clockwise to close (when viewing from the drive shaft end) through 90 degrees rotation</p> <p>Shaft Diameter and Approximate Weight</p> <p>See tables 4 and 5</p> <p>ENVIRO-SEAL™ Packing</p> <p>This optional packing system provides improved sealing, guiding, and transmission of loading force to control liquid and gas emissions. Contact your Emerson sales office for availability of ENVIRO-SEAL packing</p>
--	--

1. The pressure/temperature limits in this manual, and any applicable code or standard limitation should not be exceeded.

2. Ratio of maximum flow coefficient to minimum usable flow coefficient may also be called rangeability.

3. For optimum seal performance, the preferred valve orientation at shutoff is with the retaining ring downstream from the high pressure side of the valve.

Educational Services

Emerson
Educational Services - Registration
Phone: 1-800-338-8158
E-mail: education@emerson.com
emerson.com/mytraining

Table 2. Material Temperature Ratings

COMPONENT AND MATERIAL OF CONSTRUCTION ⁽¹⁾		TEMPERATURE RANGE	
		°C	°F
Valve Body ⁽²⁾ Carbon Steel (WCC or SA 516-70) ⁽⁷⁾ CF8M (316 SST) CF8M/CF10M (316/316H) ⁽³⁾ Dual-Certified		-29 to 427 -198 to 538 over 538 to 816	-20 to 800 -325 to 1000 over 1000 to 1500
Disk CF8M (316 SST) CF8M/CF10M (316/316H) ⁽³⁾ Dual-Certified		-198 to 538 over 538 to 816	-325 to 1000 over 1000 to 1500
Disk Coating Chromium Carbide Chrome Plating Chromium Coating		-198 to 916 -254 to 427 -254 to 593	-325 to 1500 -425 to 800 -425 to 1100
Shaft S20910 S17400 (17-4 pH 1025) N07718 N07750 N05500		-198 to 538 -73 to 427 -254 to 704 over 593 to 816 -198 to 482	-325 to 1000 -100 to 800 -425 to 1300 over 1100 to 1500 -325 to 900
Bearings ⁽⁶⁾ PEEK (standard) S31600 ⁽⁴⁾ R30006 (Alloy 6) Bronze		-73 to 260 -198 to 816 -198 to 816 -254 to 302	-100 to 500 -325 to 1500 -325 to 1500 -425 to 575
Packing PTFE Packing and PTFE ENVIRO-SEAL Packing Graphite packing Graphite packing with oxidizing media Graphite ENVIRO-SEAL Packing		-148 to 232 -198 to 916 -198 to 538 -148 to 315	-325 to 450 -325 to 1500 -325 to 1000 -325 to 600
Seal Ring and Backup Ring	PTFE Seal Ring Nitrile Backup O-Ring Chloroprene Backup O-Ring EPR Backup O-Ring Fluorocarbon Backup O-Ring PTFE Backup O-Ring	-29 to 93 -43 to 149 -54 to 182 -29 to 204 -73 to 204	-20 to 200 -45 to 300 -65 to 360 -20 to 400 -100 to 400
	UHMWPE ⁽⁵⁾ Seal Ring (CL150 Only) EPR Backup O-Ring Fluorocarbon Backup O-Ring	-54 to 93 -29 to 93	-65 to 200 -20 to 200
	Phoenix III and/or Fire Tested Construction S31600 and PTFE Seal Ring with Nitrile Backup O-Ring Chloroprene Backup O-Ring EPR Backup O-Ring Fluorocarbon Backup O-Ring	-40 to 149 -54 to 149 -62 to 204 -40 to 232	-40 to 300 -65 to 300 -80 to 400 -100 to 200
Seal Ring	NOVEX S31600 Seal ⁽⁴⁾ Ring (CL150) NOVEX S31600 Seal ⁽⁴⁾ Ring (CL300) NOVEX S21800 Seal ⁽⁴⁾ Ring (CL300)	-29 to 538 -29 to 816 -29 to 816	-20 to 1000 -20 to 1500 -40 to 1500
	Cryogenic Seal Ring	Contact your Emerson Sales office	
Gaskets	Flexible Graphite	-254 to 816	-425 to 1500
	Aramid with Neoprene	-254 to 538	-425 to 1000

1. NACE trim constructions are available; consult your Emerson sales office.
2. Special gasket retainer bolts are required for over 482°C (900°F)
3. Special retaining ring screws for lugged valves over 538°C (1000°F)
4. For a complete material description, contact your Emerson sales office.
5. UHMWPE stands for ultra high molecular weight polyethylene.
6. Special thrust bearings are required for high temp. applications over 343°C (650°F) (with 6- and 12-inch shaft extensions). Constructions with carbon steel valves and SST disks may require special thrust bearings at temperatures less than 343°C (650°F).
7. Cast or wrought /plate grades used interchangeably, depending upon availability - unless requested by customer.

Installation

The valve is normally shipped as part of a control valve assembly, with the power actuator mounted on the valve. If the valve or actuator has been purchased separately, or if the actuator has been removed for maintenance, mount the actuator on the valve, and adjust actuator travel before installing the valve into the line. This is necessary due to the measurements that must be made during the actuator calibration adjustment process. Refer to the Actuator Mounting section of this manual and to the separate actuator instruction manual for mounting and adjusting instructions before proceeding.

⚠ WARNING

To avoid personal injury or property damage resulting from the sudden release of pressure:

- Do not remove the actuator from the valve while the valve is still pressurized.
- Always wear protective gloves, clothing, and eyewear when performing any maintenance operation.
- Do not install the valve assembly where service conditions could exceed the limits given in this manual or on the nameplates.
- Use pressure-relieving devices as required by government or accepted industry codes and good engineering practices to protect from over-pressurizing the system.
- Check with your process or safety engineer for any other hazards that may be present from exposure to process media.
- If installing into an existing application, also refer to the **WARNING** at the beginning of the Maintenance section in this instruction manual.

⚠ WARNING

When ordered, the valve configuration and construction materials were selected to meet particular pressure, temperature, pressure drop, and controlled fluid conditions indicated when the valve was ordered. Because some body/trim material combinations are limited in their pressure drop and temperature ranges, do not apply any other conditions to the valve without first contacting your [Emerson sales office](#).

1. Isolate the control valve from the line pressure, release pressure from both sides of the valve body, and drain the process media from both sides of the valve. If using a power actuator, shut off all pressure lines to the power actuator, release pressure from the actuator, and disconnect the pressure lines from the actuator. Use lock-out procedures to be sure that the above measures stay in effect while you are working on the equipment.

See the **WARNING** at the beginning of the Maintenance section for more information before removing the valve from the pipeline.

2. Install a three-valve bypass around the control valve assembly if continuous operation is necessary during inspection and maintenance of the valve.
3. Inspect the valve to be certain that it is free of foreign material.
4. Be certain that adjacent pipelines are free of any foreign material, such as pipe scale or welding slag, that could damage the valve sealing surfaces.

NOTICE

Damage to the disk will occur if any pipe flanges or piping connected to the valve interfere with the disk rotation path. Minimum inside diameters for flanges or pipe mating with valves are shown in tables 4 and 5.

Valve Orientation

The valve can be installed in any orientation, however it is recommended that the valve drive shaft be horizontal and the actuator vertical as shown in figure 4.

Install the valve with the high-pressure shutoff side in the direction noted by the flow arrow for proper installation, and see figure 4 for more information.

Before Installing the Valve

⚠ WARNING

The edges of a rotating valve disk (key 2, figure 10 or 11) close with a shearing, cutting motion. To avoid personal injury, keep hands, tools, and other objects away from the disk while stroking the valve.

If the 8532 valve is equipped with a fail-open actuator, cycle the valve into the fully closed position. Ensure the valve cannot open during installation by using travel stops, a manual actuator, a constant supply pressure to the pneumatic actuator, or other steps as necessary.

Table 3. Valve Body Data, CL150

VALVE SIZE, NPS	SHAFT DIA. AT YOKE BEARING	FACE-TO-FACE DIMENSION ⁽¹⁾		MINIMUM I.D. ⁽²⁾	APPROXIMATE WEIGHT, KILOGRAMS		
		Wafer and Lugged	Double-Flange		Wafer	Lugged	Double-Flange
		mm					
14	30.2	92.1	191	331.2	71.7	94.8	152
16	31.75	101.6	216	375.2	93.9	137.9	201
18	38.1	114.3	222	418.8	139.3	178.3	243
20	44.45	127.0	229	464.1	166.9	223.6	277
24	57.15	154.0	267	580.9	255.4	350.6	434
30	76.2	158.8	---	717	528	736	---
36	95.3	177.8	---	865.9	806	1120	---
42	101.6	228.6	---	1007.4	1302	1550	---
48	114.3	260.4	---	1147.3	1904	2248	---
VALVE SIZE, NPS	SHAFT DIA. AT YOKE BEARING	FACE-TO-FACE DIMENSION ⁽¹⁾		MINIMUM I.D. ⁽²⁾	APPROXIMATE WEIGHT, POUNDS		
		Wafer and Lugged	Double-Flange		Wafer	Lugged	Double-Flange
		Inches					
14	1-3/16	3.625	7.50	13.04	158	209	335
16	1-1/4	4	8.50	14.77	207	304	443
18	1/2	4.5	8.75	16.49	307	393	535
20	1-3/4	5	9.00	18.27	368	493	611
24	2-1/4	6.0625	10.50	22.87	563	773	956
30	3	6.25	---	28.23	1164	1623	---
36	3.75	7	---	34.09	1778	2470	---
42	4	9	---	39.66	2871	3418	---
48	4.5	10.25	---	45.17	4198	4955	---

1. Face-to-face dimensions are in compliance with MSS SP68 and API 609 specifications.

2. Minimum I.D. is the minimum pipe or flange I.D. required for disk swing clearance. Applies to wafer and lugged valve bodies only.

Table 4. Valve Body Data, CL150/150

VALVE SIZE, NPS	SHAFT DIA. AT YOKE BEARING	FACE-TO-FACE DIMENSION ⁽¹⁾		MINIMUM I.D. ⁽²⁾	APPROXIMATE WEIGHT, KILOGRAMS		
		Wafer and Lugged	Double-Flange		Wafer	Lugged	Double-Flange
		mm					
30	63.5	120.7	---	723.9	365	525	---
36	69.9	149.4	---	871.5	626	897	---
42	82.6	209.6	---	1011.9	1100	1328	---
48	95.3	228.6	---	1158.0	1604	1907	---
VALVE SIZE, NPS	SHAFT DIA. AT YOKE BEARING	FACE-TO-FACE DIMENSION ⁽¹⁾		MINIMUM I.D. ⁽²⁾	APPROXIMATE WEIGHT, POUNDS		
		Wafer and Lugged	Double-Flange		Wafer	Lugged	Double-Flange
		Inches					
30	2.50	4.75	---	28.50	805	1157	---
36	2.75	5.88	---	34.31	1380	1978	---
42	3.25	8.25	---	39.84	2425	2928	---
48	3.75	9	---	45.59	3537	4204	---

1. Minimum ID is the minimum pipe or flange ID required for disk swing clearance. Applies to wafer and lugged valve bodies only.

Table 5. Valve Body Data, CL300

VALVE SIZE, NPS	SHAFT DIA. AT YOKE BEARING	FACE-TO-FACE DIMENSION ⁽¹⁾		MINIMUM I.D. ⁽²⁾	APPROXIMATE WEIGHT, KILOGRAMS		
		Wafer and Lugged	Double-Flange		Wafer	Lugged	Double-Flange
		mm					
14	44.45	117.5	290	304.3	125.2	231.3	345
16	44.45	133.4	310	346.2	189.2	300.7	563
18	57.15	149.2	330	389.4	237.7	411.4	591
20	69.9	155.6	350	442.0	370.6	551.1	706
24	69.9	181.0	390	523.2	477.2	828.7	1307
30	114.3	241.3	---	653.3	953	1406	---
36	127.0	273.1	---	810.8	1315	1989	---
42	133.4	295.4	---	916.2	2263	2726	---
VALVE SIZE, NPS	SHAFT DIA. AT YOKE BEARING	FACE-TO-FACE DIMENSION ⁽¹⁾		MINIMUM I.D. ⁽²⁾	APPROXIMATE WEIGHT, POUNDS		
		Wafer and Lugged	Double-Flange		Wafer	Lugged	Double-Flange
		Inches					
14	1-3/4	4.625	11.41	11.98	276	510	760
16	1-3/4	5.25	12.20	13.63	417	663	1240
18	2-1/4	5.875	13.00	15.32	524	907	1303
20	2-3/4	6.125	13.78	17.40	817	1215	4556
24	2-3/4	7.125	15.35	20.59	1052	1827	2881
30	4.5	9.5	---	25.72	2100	3100	---
36	5	10.75	---	31.92	2900	4385	---
42	5.25	11.63	---	36.07	4989	6009	---

1. Face-to-face dimensions are in compliance with MSS SP68 and API 609 specifications.

2. Minimum I.D. is the minimum pipe or flange I.D. required for disk swing clearance. Applies to wafer and lugged valve bodies only.

NOTICE

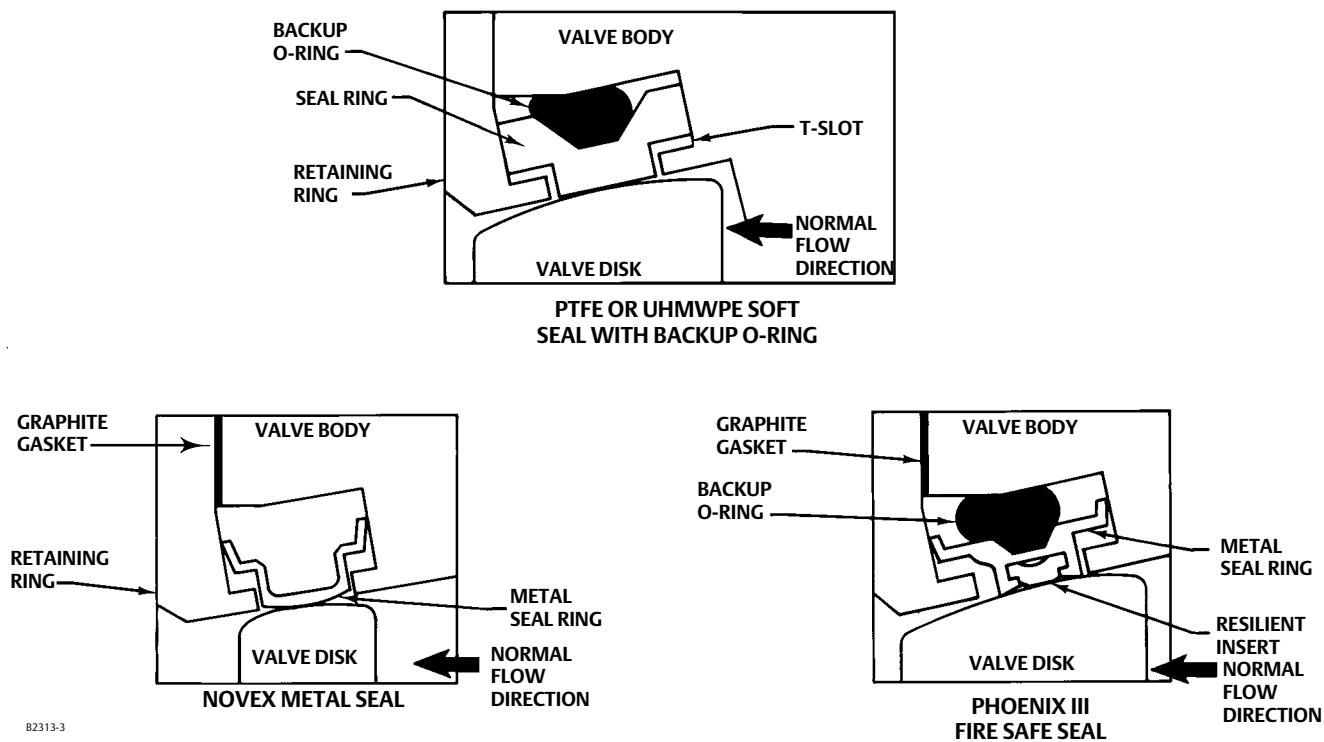
When using an actuator, the actuator travel stop (or actuator travel, for actuators without adjustable stops) must be adjusted so the disk stop in the valve does not absorb the output of the actuator. Failure to limit the actuator travel as described in the Adjusting the Actuator Travel Stops or Travel steps can result in damage to the valve, shaft(s), or other valve components.

An 8532 valve is normally shipped as part of an assembly with an actuator and other accessories such as a valve positioner. If the valve and actuator have been purchased separately or if the actuator has been removed for maintenance, properly mount the actuator and adjust valve/actuator travel and all travel stops before inserting the valve into the line.

NOTICE

Damage to the disk will occur if any pipe flanges or piping connected to the valve interfere with the disk rotation path. Be certain to align the valve accurately to avoid contact between the disk (key 2) and the flanges.

Figure 2. Available Seal Configurations



Adjusting the Actuator Travel Stops or Travel

Key number locations are shown in figures 10 and 11, unless otherwise noted.

1. Refer to the actuator instruction manual to locate the actuator travel stop that controls the closed position of the valve disk (key 2). When adjusting the travel stop or travel, make sure that the disk is from 0 to 0.76 mm (0 to 0.030 inch) away from the internal stop in the valve body (see figure 5). This adjustment is necessary to be certain that the actuator output torque is fully absorbed by the actuator travel stop or by the actuator. The internal travel stop in the valve body should not absorb any of the actuator torque.
2. Before installing the valve/actuator assembly in the process line, cycle the valve several times to be sure the valve disk returns to the proper position.

Installing the Valve

The maximum allowable inlet pressures for 8532 valves are consistent with the applicable ASME pressure/temperature ratings except where limited by the material capabilities as shown in table 2 or figure 2.

Refer to table 6 for the quantity and size of line bolting required to install the valve in the pipeline.

NOTICE

To avoid damage to the valve disk during installation, the valve must be in the fully closed position. If the 8532 valve is equipped with a fail-open actuator, remove the actuator before installing the valve/actuator assembly or cycle the valve into the fully closed position. Then, take appropriate steps to be sure that the actuator does not cause the valve to open during installation.

Figure 3. Stud Bolts for Installation (also see table 6)

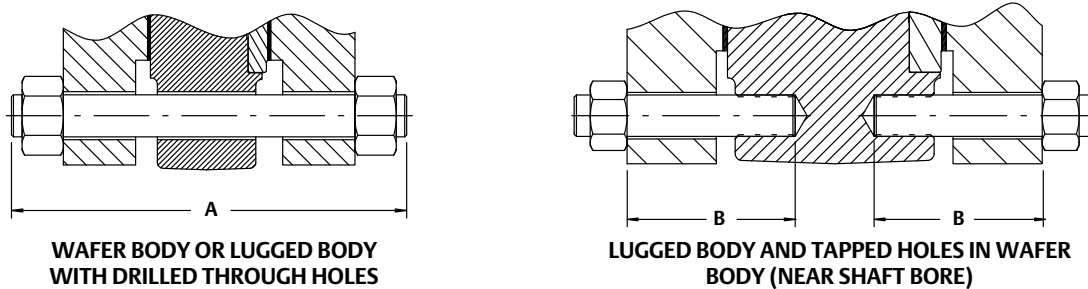


Table 6. Hex Head Screw, Stud Bolt and Cap Screw Data⁽¹⁾⁽²⁾

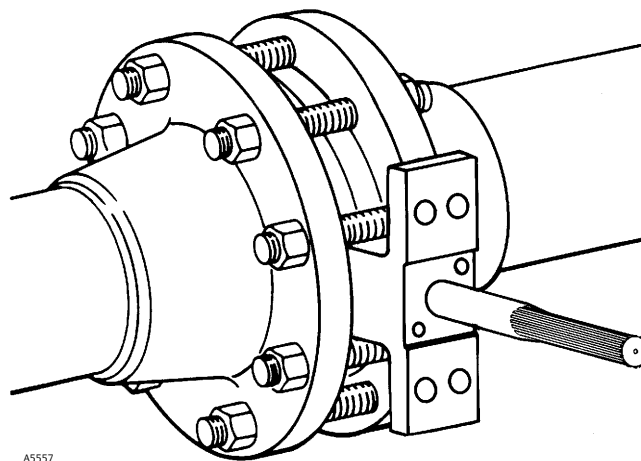
Wafer Bodies or Lugged Bodies with Drilled Through Holes										
Valve Size, NPS	Valve Rating	Number of Through Holes	Number of Tapped Holes	Thread Size	Number of Studs	Length of Studs (A)		Number of Cap Screws	Length of Cap Screws (B)	
						mm	inch		mm	inch
14	150	12	0	1 - 8 UNC	12	241	9.50	0	---	---
	300	16	8	1-1/8 - 8 UNC	16	305	12.00	8	89	3.50
16	150	16	0	1 - 8 UNC	16	254	10.00	0	---	---
	300	16	8	1-1/4 - 8 UNC	16	343	13.50	8	95	3.75
18	150	16	0	1-1/8 - 8 UNC	16	279	11.00	0	---	---
	300	20	8	1-1/4 - 8 UNC	20	349	13.75	8	101	4.00
20	150	20	0	1-1/8 - 8 UNC	20	305	12.00	0	---	---
	300	20	8	1-1/4 - 8 UNC	20	368	14.50	8	101	4.00
24	150	20	0	1-1/4 - 8 UNC	20	356	14.00	0	---	---
	300	20	8	1-1/2 - 8 UNC	20	419	16.50	8	114	4.50
30	150/150	24	8	1 1/4-8 UNC	24	394	15.50	8	114	4.50
	150	24	8	1 1/4-8 UNC	24	394	15.50	8	114	4.50
	300	24	8	1 3/4-8 UNC	24	546	21.50	8	146	5.75
36	150/150	28	8	1 1/2-8 UNC	28	457	18.00	8	133	5.25
	150	28	8	1 1/2-8 UNC	28	457	18.00	8	133	5.25
	300	28	8	2.00-8 UNC	28	616	24.25	8	165	6.50
42	150/150	32	8	1 1/2-8 UNC	32	527	20.75	8	152	6.00
	150	32	8	1 1/2-8 UNC	32	527	20.75	8	152	6.00
	300	28	8	1 5/8-8 UNC	28	660	26.00	8	184	7.25
48	150/150	40	8	1 1/2-8 UNC	40	578	22.75	8	165	6.50
	150	40	8	1 1/2-8 UNC	40	578	22.75	8	165	6.50
Lugged Bodies with Threaded Holes										
Valve Size, NPS	Valve Rating	Number of Through Holes	Number of Tapped Holes	Thread Size	Number of Studs	Length of Studs (A)		Number of Cap Screws	Length of Cap Screws (B)	
						mm	inch		mm	inch
14	150	0	24	1 - 8 UNC	0	---	---	24	70	2.75
	300	0	40	1-1/8 - 8 UNC	0	---	---	40	89	3.50
16	150	0	32	1 - 8 UNC	0	---	---	32	76	3.00
	300	0	40	1-1/4 - 8 UNC	0	---	---	40	95	3.75
18	150	0	32	1-1/8 - 8 UNC	0	---	---	32	82	3.25
	300	0	48	1-1/4 - 8 UNC	0	---	---	48	101	4.00
20	150	0	40	1-1/8 - 8 UNC	0	---	---	40	89	3.50
	300	0	48	1-1/4 - 8 UNC	0	---	---	48	101	4.00
24	150	0	40	1-1/4 - 8 UNC	0	---	---	40	95	3.75
	300	0	48	1-1/2 - 8 UNC	0	---	---	48	114	4.50
30	150/150	0	28	1 1/4-8 UNC	0	---	---	28	114	4.50
	150	0	28	1 1/4-8 UNC	0	---	---	28	114	4.50
	300	0	28	1 3/4-8 UNC	0	---	---	28	146	5.75
36	150/150	0	32	1 1/2-8 UNC	0	---	---	32	133	5.25
	150	0	32	1 1/2-8 UNC	0	---	---	32	133	5.25
	300	0	32	2.00-8 UNC	0	---	---	32	165	6.50
42	150/150	0	36	1 1/2-8 UNC	0	---	---	36	152	6.00
	150	0	36	1 1/2-8 UNC	0	---	---	36	152	6.00
	300	0	36	1 5/8-8 UNC	0	---	---	36	184	7.25
48	150/150	0	44	1 1/2-8 UNC	0	---	---	44	165	6.50
	150	0	44	1 1/2-8 UNC	0	---	---	44	165	6.50

Table 6. Hex Head Screw, Stud Bolt and Cap Screw Data⁽¹⁾⁽²⁾ (Cont.)

Double Flange Bodies										
Valve Size, NPS	Valve Rating	Number of Through Holes	Number of Tapped Holes	Thread Size	Number of Studs	Length of Studs (A)		Number of Cap Screws	Length of Cap Screws (B)	
						mm	inch		mm	inch
14	150	16	8	1 - 8 UNC	16	146	5.75	8	70	2.75
	300	32	8	1-1/8 - 8 UNC	32	191	7.50	8	102	4.00
16	150	24	8	1 - 8 UNC	24	152	6.00	8	76	3.00
	300	32	8	1-1/4 - 8 UNC	32	203	8.00	8	108	4.25
18	150	24	8	1-1/8 - 8 UNC	24	159	6.25	8	82	3.25
	300	40	8	1-1/4 - 8 UNC	40	216	8.50	8	108	4.25
20	150	32	8	1-1/8 - 8 UNC	32	165	6.50	8	82	3.25
	300	40	8	1-1/4 - 8 UNC	40	222	8.75	8	114	4.50
24	150	32	8	1-1/4 - 8 UNC	32	187	7.38	8	95	3.75
	300	40	8	1-1/2 - 8 UNC	40	248	9.75	8	127	5.00

1. Threaded engagement in accordance with ASME B31.3 "Chemical Plant and Petroleum Refinery Piping."
2. Bolting lengths are base on installation of valve between standard raised face flanges utilizing flange gaskets with a final compression thickness of 0.125 inch. When gaskets used have a final compression thickness less than 0.125 inch, reduce bolting lengths shown by 0.25 inch.

Figure 4. Installation of Wafer-Style Valves



- See figure 4 for recommended valve orientation.
- For Wafer-Style Valves: Install the lower flange bolts first to form a cradle for the valve (see figure 5). See table 6 for flange bolt specifications.
 - For Lugged Valves: Position the valve between the flanges. Be sure to leave enough room for the flange gaskets. Install the lower flange bolts.
- For all Valves: Select the appropriate gaskets for the application. Flat sheet, spiral wound, or other gasket types, made to the ASME B16.5 standard or user's standard, can be used on 8532 valves depending on the service conditions of the application.
- For Wafer-Style Valves: Properly orient the valve according to the specific application. Place the valve in the line so the flow properly enters the valve as indicated by the flow tag. Then, install the valve and the gaskets between the flanges into the cradle formed by the flange bolts.
- Install the remaining flange bolts.
 - For Wafer-Style Valves: Make sure the gaskets are centered on the gasket sealing surfaces of the flange and body.

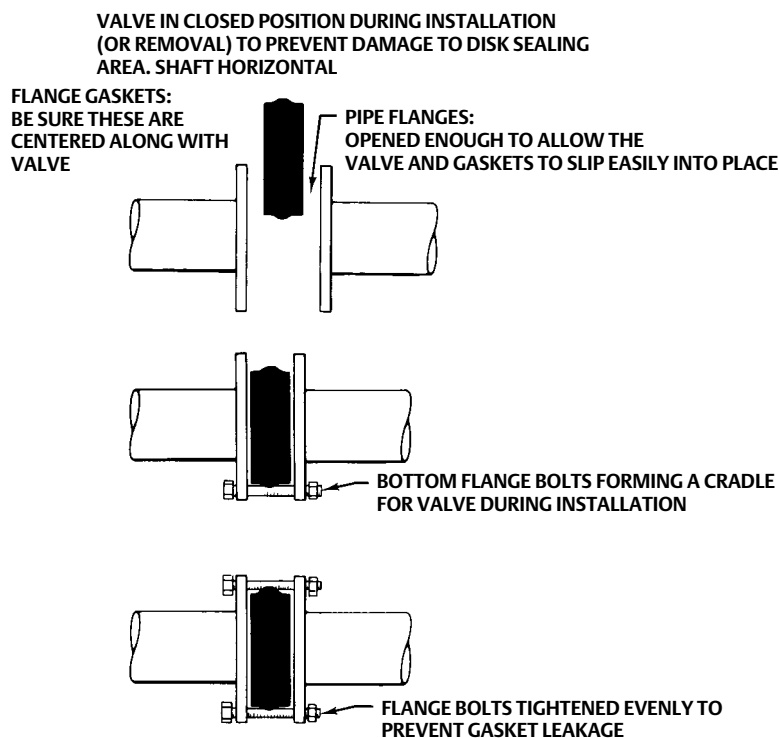
- For all Valves: Tighten the flange bolts in an alternating criss-cross fashion to a torque value of one-fourth of the final bolting torque. Repeat this procedure several times, increasing the torque value each time by a fourth of the final desired torque. After applying the final torque value, tighten each flange bolt again to allow for gasket compression.

Packing Adjustment and Shaft Bonding

⚠ WARNING

Personal injury could result from packing leakage. Valve packing was tightened before shipment; however, the packing might require some readjustment to meet specific service conditions. Check with your process or safety engineer for any other hazards that may be present from exposure to process media.

Figure 5. Proper Installation Steps



NOTICE

For non-ENVIRO-SEAL packing: Tighten the packing follower nuts only enough to prevent shaft leakage. Excessive tightening will accelerate wear of the packing and could produce higher friction loads on the valve stem.

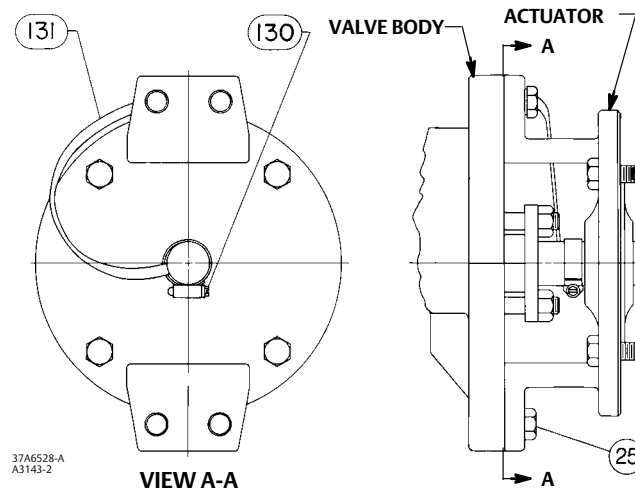
- For PTFE or graphite packing: Tighten standard packing follower nuts only enough to prevent shaft leakage. Excessive tightening of packing will accelerate wear and could produce higher rotating friction loads on the valve stem. If necessary, refer to the Packing Maintenance section.

- The ENVIRO-SEAL Packing Systems will not require this initial re-adjustment. Refer to the separate instruction manual Fisher ENVIRO-SEAL Packing System for Rotary Valves ([D101643X012](#)) for repair and adjustment procedures.
- For hazardous atmosphere or oxygen service valves, read the following warning, and provide the bonding strap assembly mentioned below if the valve is used in an explosive atmosphere.

⚠ WARNING

The valve shaft is not necessarily grounded when installed in a pipeline unless the shaft is electrically bonded to the valve. To avoid personal injury or property damage resulting from the effects of a static electricity discharge from valve components in a hazardous atmosphere or where the process fluid is combustible, electrically bond the drive shaft (key 3) to the valve according to the following step.

Figure 6. Optional Shaft-to-Valve Body Bonding Strap Assembly



Note

Standard PTFE packing is composed of a partially conductive carbon-filled PTFE female adaptor with PTFE V-ring packing. Standard graphite packing is composed of all conductive graphite ribbon packing. Alternate shaft-to-valve body bonding is available for hazardous service areas where the standard packing is not sufficient to bond the shaft to the valve (see the following step).

For oxygen service applications, provide alternate shaft-to-valve body bonding according to the following step.

- Attach the bonding strap assembly (key 131, figure 6) to the shaft with the clamp (key 130, figure 6).
- Connect the other end of the bonding strap assembly to the valve flange cap screws.
- For more information, refer to the Packing Maintenance section below.

Maintenance

Valve parts are subject to normal wear and must be inspected and replaced as necessary. The frequency of inspection and replacement depends upon the severity of service conditions.

Key numbers in this procedure are shown in figures 10 and 11 unless otherwise indicated.

⚠ WARNING

Avoid personal injury from sudden release of process pressure. Before performing any maintenance operations:

- Do not remove the actuator from the valve while the valve is still pressurized.
- Always wear protective gloves, clothing, and eyewear when performing any maintenance operations to avoid personal injury.
- Disconnect any operating lines providing air pressure, electric power, or a control signal to the actuator. Be sure the actuator cannot suddenly open or close the valve.
- Use bypass valves or completely shut off the process to isolate the valve from process pressure. Relieve process pressure on both sides of the valve. Drain the process media from both sides of the valve.
- Vent the power actuator loading pressure.
- Use lockout procedures to be sure that the above measures stay in effect while you work on the equipment.
- The valve packing box may contain process fluids that are pressurized, *even when the valve has been removed from the pipeline*. Process fluids may spray out under pressure when removing the packing hardware or packing rings, or when loosening the packing box pipe plug.
- Check with your process or safety engineer for any other hazards that may be present from exposure to process media.

Removing and Replacing the Actuator

Refer to the appropriate actuator instruction manual for actuator removal and replacement procedures. The actuator stops or travel stops must limit the rotation of the valve shaft. See the caution below.

NOTICE

When using an actuator, the actuator travel stop (or actuator travel, for actuators without adjustable stops) must be adjusted so the disk stop in the valve does not absorb the output of the actuator. Failure to limit the actuator travel can result in damage to the valve, shaft(s), or other valve components.

Packing Maintenance

The 8532 control valve is designed so the packing can be replaced without removing the valve from the process pipeline.

NOTICE

For non-ENVIRO-SEAL packing: Tighten the packing follower nuts only enough to prevent shaft leakage. Excessive tightening will accelerate wear of the packing and could produce higher friction loads on the valve stem.

Usually, packing leakage can be eliminated by merely tightening the hex nuts (key 15) located above the packing follower (key 11) while the valve is in the pipeline. However, if leakage continues, the packing must be replaced.

For PTFE ENVIRO-SEAL packing systems, refer to the separate instruction manual, Fisher ENVIRO-SEAL Packing System for Rotary Valves ([D101643X012](#)) (see figure 12).

⚠ WARNING

Never use a wrench or pliers on the splined (upper) shaft (key 3). A damaged shaft could cut the packing and allow leakage.

1. Before loosening any parts on the valve, release the pressure from the pipeline. Then, remove the hex nuts (key 15) and lift off the packing follower (key 11).
2. Remove the hex jam nuts (key 17) and the anti-blowout flange (key 10). Remove the packing follower (key 12). Refer to figure 8 for details of the anti-blowout design parts.

The packing is now accessible.

3. Use a packing extractor to remove packing. Insert the corkscrew-like end of the tool into the first piece of packing and pull firmly to remove the packing. Repeat this process until all packing parts have been removed.

Figure 7. Blowout Protection NPS 14 through 24

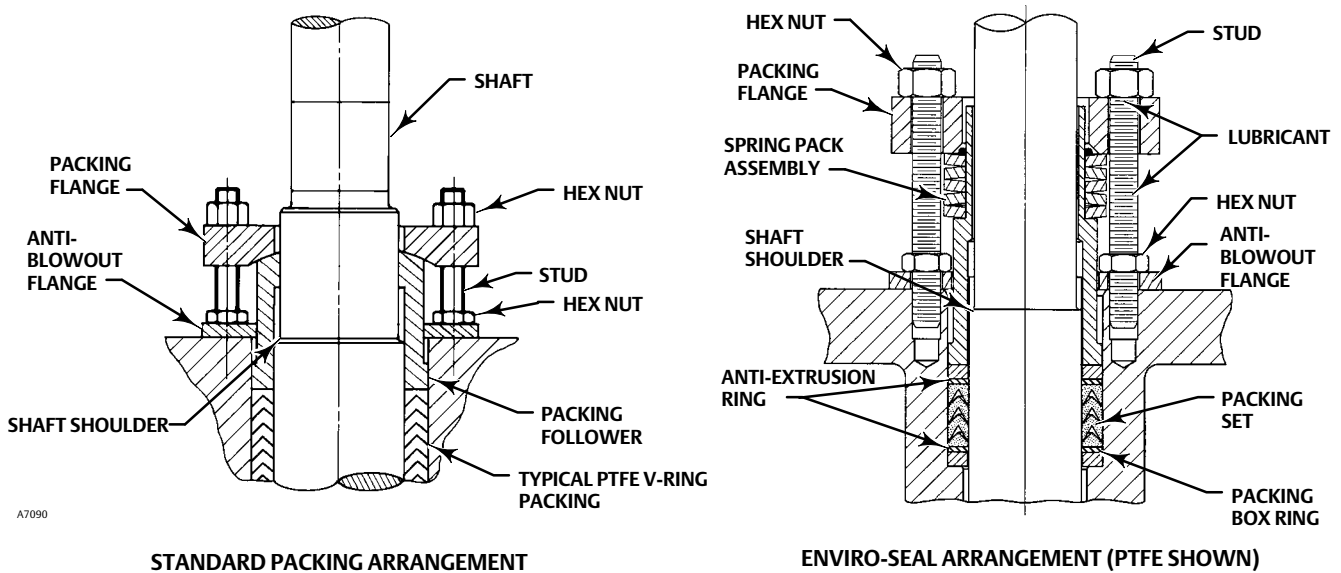
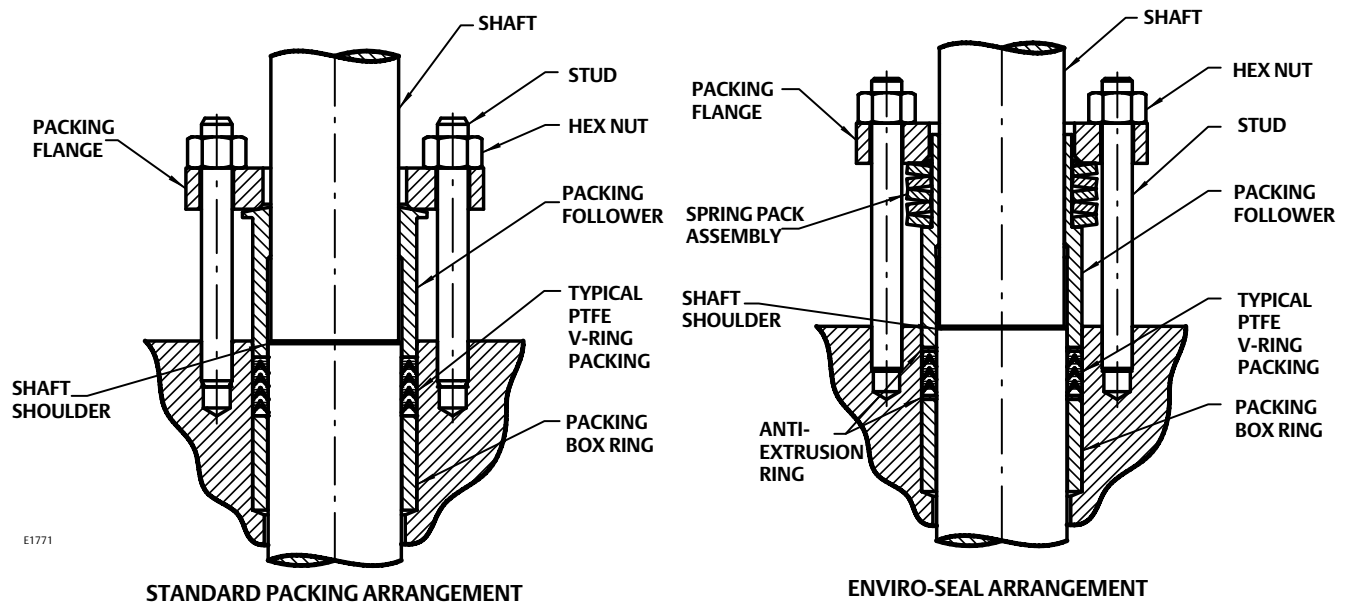


Figure 8. Blowout Protection NPS 30 through 48



⚠ WARNING

Be careful when cleaning the packing box. Scratches to the upper shaft (key 3) or inside diameter of the packing bore might cause leakage.

4. Before installing new packing, clean the packing box.
5. Install new packing one ring at a time, using the packing follower as a driver. If using split-ring packing, stagger the splits in the rings to avoid creating a leak path.
6. Reinstall packing parts. Refer to figures 10 and 11 for sequence of packing parts.

Removing the Valve

1. Disconnect any operating lines providing air pressure, electric power, or a control signal to the actuator. Be sure the actuator cannot suddenly open the valve. Vent the power actuator loading pressure.
2. Use bypass valves or completely shut off the process to isolate the valve from process pressure. Relieve process pressure on both sides of the valve. Drain the process media from either side of the valve.

NOTICE

Damage to the valve disk can occur if the disk is not closed when the valve is being removed from the pipeline. If necessary, stroke the actuator to place the disk in the closed position while removing the valve from the pipeline.

3. Loosen the flange bolting that holds the valve. Make sure the valve cannot slip or twist while loosening and removing the bolting.
4. Before removing the valve from the pipeline, make sure the valve disk is closed. Removing the valve with the disk open could cause damage to the disk, piping, or pipe flanges.

5. After removing the valve from the pipeline, move the valve to an appropriate work area. Always support the valve properly.
6. When valve maintenance is complete, refer to the Installation procedures in this manual.

Seal Maintenance

Note

For larger valves, it is possible to replace the seal (key 5) while the actuator is mounted to the valve and can be accomplished by cycling the valve to 90 degrees open.

Key numbers in this procedure are shown in figures 10 and 11 unless otherwise indicated.

1. After removing the valve from the pipeline, remove the manual or power actuator. Manually rotate the upper shaft (key 3) counterclockwise until the disk has moved a full 180 degrees away from the closed position.

⚠ WARNING

Avoid personal injury or property damage caused by the impact of a falling or tipping of a large valve. Support large valves during maintenance.

2. Lay the valve flat on a work bench in a secure position with the retaining ring (key 18) and retaining ring screws (key 19) facing up. Properly secure the valve on a suitable worktable so it cannot slip, twist, or fall during maintenance. Remove all retaining ring screws.
3. Remove the retaining ring by placing a socket head cap screw from the retaining ring in each of the two retaining ring jacking screw holes. Slowly turn the screws until the retaining ring has been lifted from the valve body. Remove the retaining ring to expose the seal in the T-slot area of the valve body.

Note

The 8532 valve is available with different seal designs and components. See figure 2 to identify the specific seal design.

NOTICE

In the following procedure, take care not to damage the seal or T-slot area of the valve body during removal of the seal.

4. Insert a regular screwdriver or other similar tool under the top edge of the seal and gently pry the seal out of the T-slot area in the valve body. Take care not to damage the seal or T-slot area of the valve body. After the seal has been removed, clean the T-slot area, retaining ring and, if required, polish the disk (key 2) thoroughly with fine steel wool or other appropriate material.

To install a new seal, O-ring (key 6), and retaining ring gasket, follow the appropriate instructions given below.

Table 7. Torque Values for Fasteners

FASTENER NOMINAL SIZE	RETAINING RING SCREWS		GASKET RETAINING BOLTS ⁽¹⁾	
	N•m	In•lbs	N•m	In•lbs
#10	4.6	41	4.0	35
1/4	11	100	9.2	81
5/16	25	220	19	167
3/8	45	400	33	295
	N•m	ft•lbs	N•m	ft•lbs
7/16	72	53	53	39
1/2	112	83	80	59
9/16	161	119	117	86
5/8	225	166	161	119
3/4	401	296	286	210
7/8	651	480	447	330
1	976	720	651	480
1-1/8	1356	1000	837	617

1. Torque values provided for gasket retaining bolting require lubrication of threads with a dry film lubricant. Use of other lubricants may change torque recommendation.
 Note: These values are based upon standard materials, S66286/N07718 screws and ASTM A193GRB6 bolts. For other special fastener materials, please contact your [Emerson sales office](#).

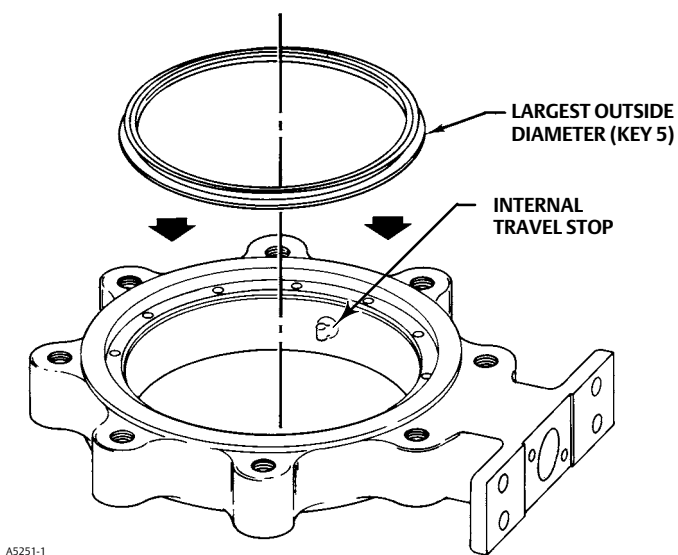
PTFE Seals

1. Locate the replacement seal ring (key 5) and note the shape of the ring. The ring is wider across one edge diameter and narrower across the other edge diameter. Around the outside circumference is one wide groove.

Before installing the seal ring into the valve body, place the O-ring (key 6) into the wide, outer groove of the seal ring. Refer to figure 9.

2. Install the seal ring and O-ring assembly in the valve body. The wider outside diameter of the seal ring goes into the T-slot area of the body (see figure 5). Start the edge with the wider diameter into the T-slot of the valve body using a blunt-end screwdriver.

Figure 9. Typical Seal Installation



3. Carefully tuck the O-ring downward into the body T-slot until the seal ring is completely entrapped in the body T-slot, and it completely covers the backup O-ring.

4. Re-install the retaining ring and the socket head cap screws. Tighten the cap screws just enough to eliminate any movement of the retaining ring. Do not over-tighten the retaining ring screws. Using a blunt-end tool, carefully tuck the lip of the seal ring under the retaining ring.
5. When the seal is under the lip of the retaining ring, continue to tighten the cap screws according to standard procedures. Do not fully torque the screws at this time. Final tightening of the screws is accomplished in step 7 of this procedure.
6. Manually rotate the upper shaft clockwise 180 degrees to return the disk (key 2) to its closed position.
7. The final seating of the retaining ring cap screws can now be done. For the screw torque values, refer to table 7. The seal is now fully installed. Refer to the Installation procedures in this manual.

NOVEX, Phoenix III and/or Phoenix III Fire-Tested Seals

1. Locate the replacement seal ring (key 5) and note the shape of the ring. The ring is wider across one edge diameter and narrower across the other edge diameter as shown in figure 9. Around the outside circumference is one wide groove.

Install the seal ring (key 5) in the valve body by first placing the wider outside diameter of the seal ring into the T-slot area of the valve body which is shown in figure 2.

The backup O-ring (key 6) for the Phoenix III seal will have to be installed after placement of the seal ring in the valve body using a blunt-end screwdriver. Do not use the screwdriver directly on the metal seat. Use tools on the O-ring only.

2. With the seal ring inserted all the way around the body T-slot now lay the O-ring into the opening between the valve body and the seal ring. Use the screwdriver to apply pressure to the O-ring and carefully tuck the O-ring down into the T-slot between the valve body and the seal ring.

Note

On larger valves, it may be more efficient to have someone hold down the seal ring while you push the O-ring into the T-slot.

3. Once the seal ring and backup O-ring have been fully installed into the body T-slot, the retaining ring gasket can be installed. This gasket is a thin graphite material. Punch one initial screw hole through the gasket for alignment, being careful not to cause additional damage to the gasket.
4. Install the retaining ring and align the screw holes in the retaining ring with the holes in the valve body. Install the first retaining ring screw through the punched hole in the ring gasket. Install the other ring screws by pushing the screws through the graphite gasket and threading them into the valve body.
5. Tighten the retaining ring socket head cap screws just enough to eliminate any movement of the retaining ring. Do not over-tighten the retaining ring screws.

WARNING

Avoid personal injury or property damage caused by the impact of a falling or tipping of a large valve. Support large valves during maintenance.

6. To complete this step, stand the valve up. Support the valve securely using methods appropriate for the valve size. If a vise or other clamps are being used, be sure to not damage the flange gasket sealing area of the valve body.
7. Manually rotate the upper shaft (key 3) to turn the disk clockwise to meet the seal.

8. Tap the disk with a rubber mallet to drive it against the internal travel stop. When the disk makes contact with the stop, manually rotate the disk counterclockwise back out of the seal to a 90-degree open position. Repeat steps 7 and 8 three times.

Note

When attaching the actuator to the valve, make sure the valve disk is not in contact with the valve internal travel stop (see figure 9). The valve disk should be positioned from 0 to 0.76 mm (0 to 0.030 inch) away from the internal stop in the valve body (see figure 9).

9. Use an appropriate tool (such as a feeler gauge) to position the disk (key 2) from 0 to 0.76 mm (0 to 0.030 inch) away from the internal stop in the valve body.

This adjustment is necessary to be certain that the actuator output torque is fully absorbed by the actuator travel stop or by the actuator. The internal travel stop in the valve body should not absorb any of the actuator torque.

10. The final seating of the retaining ring screws can now be done. For the screw torque values, refer to table 7.

Anti-Blowout Design, Packing, Valve Shaft, Disk, and Bearing Maintenance

Note

The 8532 valve has a two-piece shaft. In these procedures, the shaft (with the splined end) is called the upper shaft (key 3). The shaft opposite the upper shaft is called the lower (follower) shaft (key 4).

NOTICE

When using an actuator, the actuator travel stop (or actuator travel adjustment, for actuators without adjustable stops) must be adjusted so the disk stop in the valve does not absorb the output of the actuator. Failure to limit the actuator travel as described in the next step can result in damage to the valve, shaft(s), or other valve components.

NOTICE

When removing the actuator from the valve, do not use a hammer or similar tool to drive the lever off the valve shaft. Driving the lever or actuator off the valve shaft could damage the valve internal parts.

If necessary, use a wheel puller to remove the lever or actuator from the valve shaft. It is okay to tap the wheel puller screw lightly to loosen the lever or actuator, but hitting the screw with excessive force could also damage internal valve parts.

Key numbers in this procedure are shown in figures 10 and 11 unless otherwise indicated.

1. Remove the valve from the pipeline. Remove the actuator from the valve.

⚠ WARNING

Never use a wrench, pliers, or similar tool to turn the upper shaft. A damaged shaft can cut the packing and allow leakage.

Note

It is not necessary to remove the retaining ring and valve seal when removing the shaft(s) and disk.

⚠ WARNING

Avoid personal injury or property damage caused by the impact of a falling or tipping of a large valve. Support large valves during maintenance.

2. Properly secure the valve on a suitable worktable so it cannot slip, twist, or fall during maintenance.
3. Removing the Anti-Blowout Design:
 - a. **For PTFE or Graphite Packing:** Remove the hex nuts (key 15) and pull off the packing follower (key 11). Remove the hex jam nuts (key 17) and the anti-blowout flange (key 10). Remove the anti-blowout gland (key 12). See figure 8.
 - b. **For ENVIRO-SEAL Packing System:** Remove the hex nuts (key 101), the packing follower (key 102), jam nuts (key 17), anti-blowout flange (key 10), and the spring pack assembly (key 103). See figure 12.
4. Remove the packing from around the upper shaft.
5. Remove the tangential pins or disk pins. Locate the pins (key 9) in the upper shaft (key 3) and the pin in the lower shaft (key 4), if the valve has a two-piece shaft.
 - a. If a maintenance kit is available, use the pin extractor to remove the disk pins. Select the correct size pin extractor tip with screws of proper thread size to match the thread size in the disk pins. If you do not have a kit, see steps c and d below.
 - b. Screw the pin extractor tip into the pin as far as possible. With an upward, straight sliding motion, pull out the pin. Repeat the same procedure for the other pins.
 - c. You can use a threaded rod with an appropriate spacer (tube) and nut as an extractor tool. If you use a threaded rod, choose a rod with threads that fit the inside thread of the pins. The rod should extend several inches above the disk when it is screwed into a pin.
 - d. After screwing the rod into the pin, slide the spacer over the rod and pin. Thread a nut onto the rod and tighten it. As you tighten the nut, the nut will drive the spacer against the disk. The increasing force will draw the pin from the disk.
6. The gasket retainer (key 20) on the side of the valve opposite the upper shaft must be removed before removing the lower shaft.

Remove the hex head bolts (key 23) and lockwashers (key 22) from the gasket retainer and remove the gasket retainer and gasket (key 21) to expose the end of the lower shaft.

7. Before removing the lower shaft (key 4), be sure the valve disk is properly supported. Pull the lower shaft from the valve body. Use a shaft extractor screwed into the puller hole in the end of the lower shaft.
8. Before removing the upper shaft (key 3), be sure the valve disk is properly supported. Pull out the upper shaft (key 3) by hand-pulling or by using a shaft extractor screwed into the end of the shaft.

NOTICE

To avoid damage to the disk, seal, and T-slot area, do not force the disk past the seal or T-slot area. Remove the disk from the opposite side of the valve body.

Note

Both the upper shaft and the lower shaft have a thrust bearing (key 24) between the disk and the bearings (key 7). The thrust bearing is located outside of the bearing bore which holds the bearings. Use care when removing the valve disk to avoid loss of or damage to the thrust bearings.

9. After removing the shaft(s), remove the disk. Do not force the disk past the seal or T-slot area. Collect the thrust bearings.
10. Remove the bearings (key 7). Using a suitable punch or puller, drive or pull the bearings into the valve body bore from the upper shaft bearing bore. Remove the bearing from the lower shaft bearing bore.
11. Inspect the valve body bore, bearings, bearing bores, and packing box for damage.

Note

In these instructions, the drive shaft (with splined end) is called the upper shaft (key 3). The shaft opposite the upper shaft is called the lower (follower) shaft (key 4).

Installing the Two-Piece Shaft

Key numbers in this procedure are shown in figures 10 and 11 unless otherwise indicated.

⚠ WARNING

Avoid personal injury or property damage caused by the impact of a falling or tipping of a large valve. Support large valves during maintenance.

1. Properly secure the valve on a suitable worktable so it cannot slip, twist, or fall during maintenance. Be prepared to support the valve disk.

Note

Replacement disk and shafts are provided as a matched set and both should be replaced at the same time.

2. Inspect all parts removed from the valve for wear or damage. Replace any worn or damaged parts. Clean the valve body and all parts to be installed with an appropriate solvent or degreaser.

Note

When installing the bearings, apply lubricant to the outside diameter of the bearing for ease of installation.

NOTICE

Premature valve failure and loss of process control may result if bearings are improperly installed or are damaged during installation.

3. When installing the lower bearings (key 4), insert one or more bearings into the lower shaft bearing bore so it is flush with the body bore.

The number of bearings required changes with valve size and construction. Two bearings are required in the upper shaft and two bearings in the lower shaft. If using an NPS 14 CL150 valve with metal bearings, four bearings in the upper and four in the lower shaft will be required.

4. Hold the lower shaft thrust bearing (key 24) in the valve body bore against the counterbore of the lower shaft bearing bore. Push the lower shaft into the bearing bore just enough to hold the thrust bearing.
5. When installing the upper bearing (key 7), insert one or more bearings into the upper shaft from the body bore into the bearing bore below the packing box. Use caution to prevent damage to the bearing.
6. Hold the upper shaft thrust bearing (key 24) in the valve body bore against the counterbore of the upper shaft bearing bore. Push the upper shaft through the packing box side into the bearing bore just enough to hold the thrust bearing.
7. When installing the lower bearing (key 4), insert one or more bearings into the lower shaft bearing bore so it is flush with the body bore.
8. Insert the lower shaft through the bore in the valve body uncovered by removal of the gasket retainer. Hold the lower shaft thrust bearing (key 24) in the valve body bore against the counterbore of the lower shaft bearing bore. Push the lower shaft into the bearing bore just enough to hold the thrust bearing.

NOTICE

To avoid damage to the disk, seal, and T-slot area, do not force the disk past the seal or T-slot area. Install the disk from the opposite side of the valve body.

9. Place the flat side of the disk on a flat surface and insert wooden blocks to raise the disk approximately 51 mm (2 inches) from the worktable surface. Then, suspend the valve body over the disk so the seal/T-slot area is facing up. Align the shaft bores through the disk with the upper shaft and lower shaft bores. Lower the valve body over the disk using caution not to dislodge or damage the thrust bearings placed on the ends of the shafts.
10. With the disk (key 2) properly positioned in the valve body (key 1), push the upper shaft and lower shaft the rest of the way through the thrust bearings and into the shaft bores in the valve disk.
11. Align the holes in the shafts with the holes in the disk.

NOTICE

To avoid damage to the tangential pins, disk pins, valve disk, or shaft(s) resulting from the application of excessive force, use appropriate care when driving the pins into the disk hub and shaft(s). Use the right tool. Do not use excessive force.

12. Install the appropriate tangential pins, and disk pins. Use 2 tangential pins that will go through the upper shaft and 1 disk pin that will go through the lower shaft.
13. Refer to the Anti-Blowout Design, Packing, Valve Shaft, Disk and Bearing Maintenance procedures in this manual to re-install the packing and anti-blowout design.

Gasket Retainer

Valves with a two-piece shaft use a gasket retainer and gasket (keys 20 and 21) to cover the lower shaft opening in the valve body. The gasket is held in place by the gasket retainer and four hex head bolts and lockwashers (keys 23 and 22). When re-assembling the valve, use a new gasket.

Be sure to center the gasket over the lower shaft bore before retightening bolts. Tighten down bolts evenly in a crossover or star pattern. Refer to table 7 for proper torque values.

Parts Ordering

Typical parts are shown in figures 10 and 11.

When corresponding with your [Emerson sales office](#) about an 8532 valve, identify the valve as a Fisher 8532 and provide the valve serial number. For valve/actuator combinations assembled at the factory, the valve serial number may be stamped on the nameplate attached to the actuator.

⚠ WARNING

Use only genuine Fisher replacement parts. Components that are not supplied by Emerson should not, under any circumstances, be used in any Fisher valve, because they may void your warranty, might adversely affect the performance of the valve, and could cause personal injury and property damage.

Retrofit Kits

Retrofit kits include all parts required for installation of the ENVIRO-SEAL packing system into existing high-performance butterfly valves. Retrofit kits are available for single PTFE packing.

See table 8 for retrofit kit part numbers.

Retrofit Kit Included Parts		
Key	Description	Quantity
10	Anti-blowout follower	1
17	Jam nut	1
100	Packing stud	2
101	Packing nut	2
102	Packing flange	1
103	Spring pack assembly	1
105	Packing Set	1
106	Anti-extrusion washer	2 ⁽¹⁾
107	Packing box ring	2 ⁽²⁾
111	Tag	1
112	Cable	1

1. Not included in graphite packing kit.
2. Only 1 req'd for NPS 18 CL300, NPS 20 CL150 and NPS 24 CL150.

Note

Key 103, the spring pack assembly, is made up of the packing spring stack held in place by an O-ring on the packing follower.

Repair Kits

PTFE Repair kits include a single PTFE packing set and anti-extrusion washers. Graphite packing sets include graphite packing rings and carbon anti-extrusion rings. See table 8 for PTFE repair kit part numbers.

Table 8. Retrofit and Repair Kit Part Numbers

VALVE SIZE, NPS	PRESSURE RATING	SHAFT DIAMETER ⁽¹⁾ (²), mm (Inch)	RETROFIT KITS	REPAIR KITS
			PTFE	PTFE
14	CL150	34.9 (1-3/8)	RRTYXRT0592	RRTYX000172
	CL300	50.8 (2)	RRTYXRT0602	RRTYX000182
16	CL150	38.1 (1-1/2)	RRTYXRT0612	RRTYX000192
	CL300	57.2 (2-1/4)	RRTYXRT0622	RRTYX000202
18	CL150	44.5 (1-3/4)	RRTYXRT0632	RRTYX000212
	CL300	63.5 (2-1/2)	RRTYXRT0642	RRTYX000222
20	CL150	50.8 (2)	RRTYXRT0652	RRTYX000182
24	CL150	63.5 (2-1/2)	RRTYXRT0662	RRTYX000222

1. Shaft diameter: Diameter through the packing box.
 2. For larger shaft sizes, consult your [Emerson sales office](#).

Parts List

Note

Contact your [Emerson sales office](#) for Part Ordering information.

Key Description

- 1 Valve Body
- 2* Disk
- 3* Drive Shaft
- 4* Follower Shaft
- 5* Seal Ring
- 6* Backup Ring
- 7* Bearing
- 9* Disk Pin
- 10 Anti-Blowout Flange (Not used in NPS 30-48)
- 11 Packing Flange
- 12 Packing Follower
- 13* Packing Set
- 14 Stud (2 req'd)
- 15 Hex nut (2 req'd)
- 17 Hex Jam Nut (2 req'd)
- 18 Retaining Ring
- 19 Retaining Ring Screw (8 req'd)
- 20 Gasket Retainer

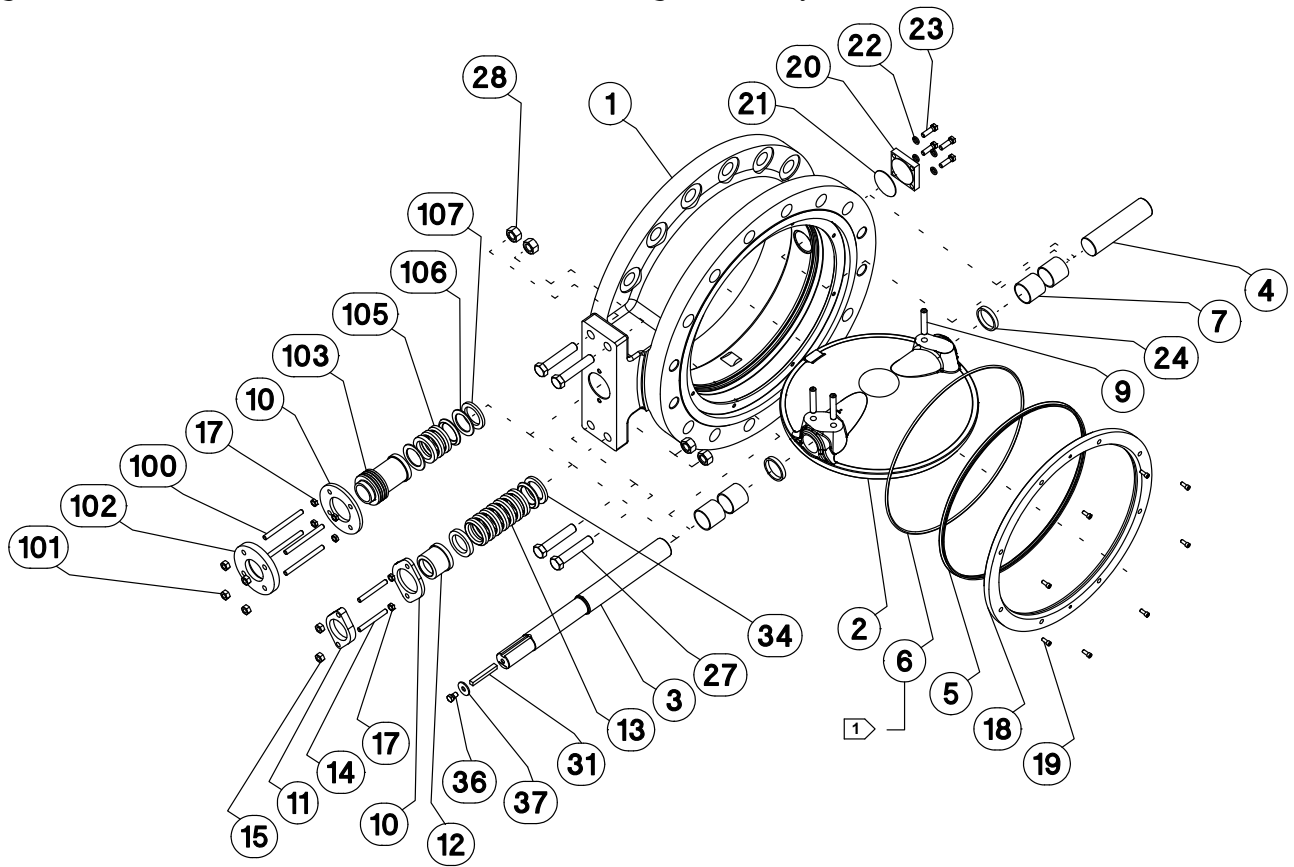
Key Description

- 21* Gasket
- 22 Lockwasher (4 req'd)
- 23 Cap Screw (4 req'd)
- 24* Thrust Bearing
- 26* Retaining Ring Gasket
- 27 Cap Screw - Actuator (4 req'd) (not shown)
- 28 Hex Nut - Actuator (4 req'd) (not shown)
- 29 Nameplate (not shown)
- 32 Drive Screw (2 req'd)
- 33 Flow Direction Arrow (not shown)
- 34 Packing Box Ring
- 35* Disk/Shaft/Pin Assembly (not shown)

ENVIRO-SEAL Packing System (See figure 12)

- 10 Anti-Blow Flange
- 17 Hex Jam Nut (4 req'd)
- 100 Packing Flange Stud (4 req'd)
- 101 Packing Flange Nut (4 req'd)
- 102 Packing Flange
- 103 Spring Pack Assembly
- 105* Packing Set
- 106* Anti-Extrusion Ring (2 req'd)
- 107 Packing Box Ring
- 111 Tag (not shown)
- 112 Cable Tie (not shown)
- 113 Lubricant

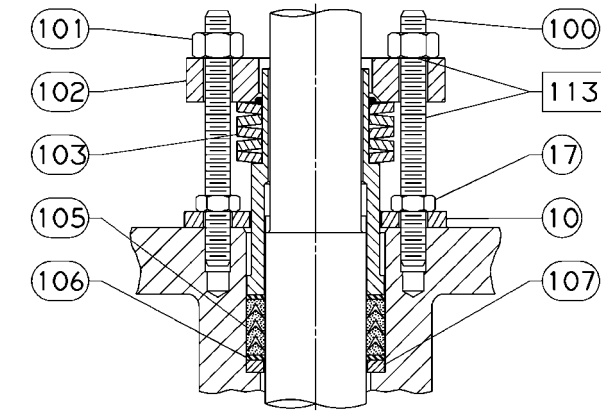
Figure 11. Fisher 8532, NPS 14-24, CL150-300, Double Flange Valve Body



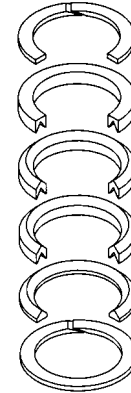
PARTS NOT SHOWN: KEY 26, 29, 32, 33, 38, 111, 112, 113
1 USE ONLY WITH SOFT SEAL AND PHOENIX III SEAL.

GES8760-A

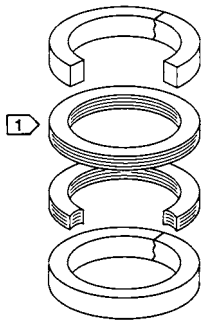
Figure 12. ENVIRO-SEAL Packing Systems



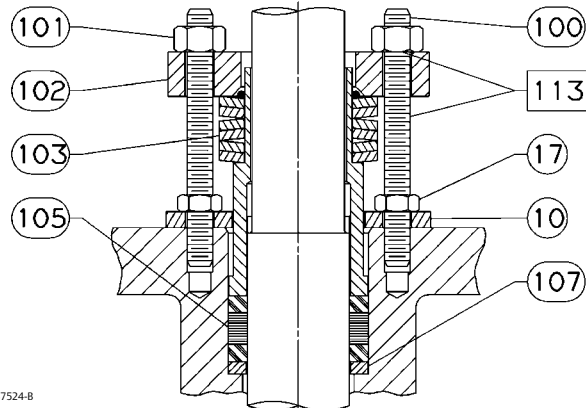
PTFE PACKING SYSTEM



STACKING ORDER OF PTFE PACKING RINGS



STACKING ORDER OF GRAPHITE PACKING RINGS



GRAPHITE PACKING SYSTEM

NOTE:

➤ VALVES WITH SHAFTS LARGER THAN 38.1 mm (1-1/2 INCH) USE GRAPHITE RINGS

Neither Emerson nor any of its affiliated entities assumes responsibility for the selection, use or maintenance of any product. Responsibility for proper selection, use, and maintenance of any product remains solely with the purchaser and end user.

Fisher and ENVIRO-SEAL are marks owned by one of the companies in the Emerson business unit of Emerson Electric Co. Emerson and the Emerson logo are trademarks and service marks of Emerson Electric Co. All other marks are the property of their respective owners.

The contents of this publication are presented for informational purposes only, and while every effort has been made to ensure their accuracy, they are not to be construed as warranties or guarantees, express or implied, regarding the products or services described herein or their use or applicability. All sales are governed by our terms and conditions, which are available upon request. We reserve the right to modify or improve the designs or specifications of such products at any time without notice.

Emerson
 Marshalltown, Iowa 50158 USA
 Sorocaba, 18087 Brazil
 Cernay, 68700 France
 Dubai, United Arab Emirates
 Singapore 128461 Singapore

www.Fisher.com

