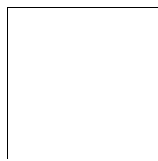


# Flexim PLOX S831 Ultrasonic Flowmeter





## Table of contents

<b>1</b>	<b>Introduction</b>	7
<b>2</b>	<b>Safety instructions</b>	8
2.1	General safety instructions	8
2.2	Intended use	8
2.3	Not intended use	9
2.4	Safety instructions for the user	9
2.5	Safety instructions for the operator	9
2.6	Safety instructions for electrical work	9
2.7	Safety instructions for transport	10
2.8	Recommended procedure in hazardous situations	10
<b>3</b>	<b>General principles – analysis</b>	11
3.1	Measurement principle	11
3.2	Terms	12
<b>4</b>	<b>Basics – flow measurement</b>	13
4.1	Measurement principle	13
4.2	Measurement arrangements	15
4.3	Acoustic penetration	17
4.4	Undisturbed flow profile	18
<b>5</b>	<b>Product description</b>	21
5.1	Measuring system	21
5.2	Handling concept	21
5.3	Display	23
5.4	Keyboard	24
<b>6</b>	<b>Transport and storage</b>	25
6.1	Transport	25
6.2	Storage	25
<b>7</b>	<b>Mounting</b>	26
7.1	Transmitter	27
7.2	Transducers	32
7.3	Temperature probe	63
<b>8</b>	<b>Connection</b>	66
8.1	Transducers (ATEX, IECEx)	69
8.2	Transducers (FM Class I Div. 1)	79
8.3	Transducers (FM Class I Div. 2)	81
8.4	SENSPROM	87
8.5	Power supply	89
8.6	Outputs	91
8.7	Inputs	95
8.8	Temperature probe	97
8.9	Service interface	99

<b>9</b>	<b>Start-up</b> .....	100
9.1	Start-up settings .....	101
9.2	Switching on .....	101
9.3	Language .....	102
9.4	Initialization .....	102
9.5	Date and time .....	103
9.6	Information regarding the transmitter .....	103
<b>10</b>	<b>Measurement</b> .....	104
10.1	Enabling the analysis .....	104
10.2	Parameter input .....	105
10.3	Configuration of an output .....	113
10.4	Start of measurement .....	121
10.5	Field calibration .....	123
10.6	Display during the measurement .....	126
10.7	Execution of special functions .....	129
10.8	Stop of measurement .....	130
<b>11</b>	<b>Troubleshooting</b> .....	131
11.1	Problems with the measurement .....	132
11.2	Measuring point selection .....	133
11.3	Maximum acoustic contact .....	133
11.4	Application-specific problems .....	134
11.5	Significant deviations of the measured values .....	134
11.6	Problems with the totalizers .....	134
<b>12</b>	<b>Maintenance and cleaning</b> .....	135
12.1	Maintenance .....	136
12.2	Cleaning .....	136
12.3	Calibration .....	136
12.4	Examination of the O-ring .....	137
12.5	Examination of the thread on the flameproof enclosure housing .....	138
12.6	Examination of housing and sight glass .....	138
<b>13</b>	<b>Dismounting and disposal</b> .....	139
13.1	Dismounting .....	139
13.2	Disposal .....	139
<b>14</b>	<b>User modes</b> .....	140
14.1	StandardUser mode .....	141
14.2	ExpertUser mode .....	142
14.3	SuperUser mode and SuperUser ext. mode .....	147
<b>15</b>	<b>Outputs</b> .....	155
15.1	Configuration of a digital output as binary output .....	155
15.2	Configuration of a digital output as pulse output .....	158
15.3	Configuration of a digital output as frequency output .....	161
<b>16</b>	<b>Inputs</b> .....	164
16.1	Configuration of an input .....	164
16.2	Assignment of an input .....	168

<b>17</b>	<b>Data logger</b>	169
17.1	Configuration of the data logger	169
17.2	Deletion of the data logger	172
17.3	Information regarding the data logger	173
<b>18</b>	<b>Data transmission</b>	174
18.1	Service interface	174
18.2	Process interface	174
<b>19</b>	<b>Advanced functions</b>	175
19.1	Totalizers	175
19.2	Diagnosis with the help of the snap function	178
19.3	Modification of the limit for the inner pipe diameter	179
19.4	Remote functions	179
19.5	Event triggers	181
19.6	Event log	186
<b>20</b>	<b>Settings</b>	187
20.1	Dialogs and menus	187
20.2	Measurement modes	189
20.3	Measurement settings	190
20.4	Units of measurement	191
20.5	Material and fluid scroll list	191
20.6	Working with parameter records	192
20.7	Contrast settings	193
20.8	HotCodes	193
20.9	Key lock	194

## Annex

<b>A</b>	<b>Menu structure</b>	197
<b>B</b>	<b>Units of measurement</b>	215
<b>C</b>	<b>Reference</b>	218
<b>D</b>	<b>Self-monitoring and diagnostics (NAMUR NE 107)</b>	223
<b>E</b>	<b>Legal information – open source licenses</b>	230






## 1 Introduction

This operating instruction has been written for users operating the ultrasonic analyzer PIOX S. It contains important information about the measuring equipment, how to handle it correctly, and how to avoid damages. Read the safety instructions carefully. Make sure you have read and understood this operating instruction before using the measuring equipment.

Any work on the measuring equipment has to be carried out by authorized and qualified personnel only in order to detect and avoid possible risks and dangers.

### Presentation of warnings

This operating instruction contains warnings marked as follows:

<b>Danger!</b>	
	<p><b>Type and source of danger</b> danger with high level of risk, which, if not avoided, can lead to death or serious injuries → measures of prevention</p>
<b>Warning!</b>	
	<p><b>Type and source of danger</b> danger with medium level of risk, which, if not avoided, can lead to serious or moderate injuries → measures of prevention</p>
<b>Caution!</b>	
	<p><b>Type and source of danger</b> danger with low level of risk, which, if not avoided, can lead to moderate or minor injuries → measures of prevention</p>
<b>Important!</b>	
This text contains important information which should be observed in order to avoid material damage.	
<b>Notice!</b>	
This text contains important information about the handling of the measuring equipment.	

### Storage of the operating instruction

The operating instruction must permanently be available at the place where the measuring equipment is used. It must be available to the user at all times.

### User comments

All reasonable effort has been made to ensure the correctness of the content of this operating instruction. If you, however, find some erroneous information or miss information, please inform us.

We will be grateful for any suggestions and comments regarding the concept and your experience when working with the measuring equipment. If you have any suggestions about improving the documentation and particularly this operating instruction, please let us know so that we can consider your comments for future reprints.

### Copyright

The contents of this operating instruction are subject to changes without prior notice. All rights reserved. No part of this operating instruction may be reproduced in any form without FLEXIM's written permission.

### Declaration of conformity

For EU declaration of conformity according to ATEX directive, see document SIFLUXUS.

## 2 Safety instructions

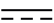
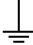





### 2.1 General safety instructions

Prior to any work, read the operating instruction carefully and in full.

Failure to comply with the instructions, in particular with the safety instructions, poses a risk to health and can lead to material damages. For further information, contact FLEXIM.

During installation and operation of the measuring equipment, observe the ambient and installation conditions specified in the documentation.

Explanation of symbols on the transmitter and accessories:

symbol	meaning
	direct current
	connection for equipotential bonding/grounding
	protective ground terminal
	Electric devices and batteries must be disposed of separately. If necessary, additional hazardous substances are indicated for disposal.
	Warning! Electric shock possible.
	Observe the operating instruction.
	Warning! Observe the safety instructions in the manufacturer's documentation.

The measuring equipment has to be checked for proper condition and operational safety before each use. If troubles or damages have occurred during installation or operation of the measuring equipment, please inform FLEXIM.

It is not allowed to make unauthorized modifications or alterations to the measuring equipment.

If the measuring point is within an explosive atmosphere, the danger zone and present explosive atmosphere have to be determined. The transmitter, transducers and accessories have to be appropriate and approved for the conditions within the corresponding zone.

Personnel has to be suitably trained and experienced for the work.

Observe the "Safety instructions for the use in explosive atmospheres" (see document SIFLUXUS). Observe the instructions for hazardous substances and the respective safety data sheets. Observe the regulations for the disposal of electrical equipment.

### 2.2 Intended use

The measuring equipment is intended for the measurement of fluid properties in closed pipes. By means of connected transducers, the transit times of the ultrasonic signals in the fluid and the pipe as well as other related properties, such as temperature and pressure, are measured and evaluated.

The transmitter uses these values to calculate the sought quantities, e.g., volumetric flow rate, mass flow rate, density and concentration. Through comparison with the values stored in the transmitter, further physical quantities can be determined. The physical quantities are provided via configurable outputs and the display.

- All instructions of this operating instruction have to be observed to ensure intended use.
- Any use beyond or other than the intended use is not covered by warranty and can present a danger. Any damage arising from not intended use shall be solely the liability of the operator or user.
- The measurement is carried out without direct contact to the fluid in the pipe. The flow profile is not influenced.
- The transducers are fixed to the pipe using the supplied transducer mounting fixture.



- If an extension cable is required to connect the transducers to the transmitter, a junction box can be used (optional). Observe the safety instructions in the operating instruction. For the technical data of the junction box, see technical specification.
- Observe the operating conditions, e.g., environment, voltage ranges. For the technical data of the transmitter, transducers and accessories, see technical specification.

## 2.3 Not intended use

Not intended use in terms of a misuse means:

- any work on the measuring equipment without observing all instructions in this operating instruction
- use of transmitter, transducer and accessory combinations not intended by FLEXIM
- installation of the transmitter, transducers and accessories in explosive atmospheres they are not approved for
- any work on the measuring equipment (e.g., installation, dismantling, connection, start-up, operation, service and maintenance) carried out by unauthorized and untrained personnel
- storage, installation and operation of the measuring equipment outside the specified ambient conditions (see technical specification)

## 2.4 Safety instructions for the user

Any work on the transmitter has to be carried out by authorized and qualified personnel only. Observe the safety instructions in the operating instruction. For the technical data of transmitter, transducers and accessories, see technical specification.

- Observe the safety and accident prevention regulations applicable on the site of operation.
- Only use the supplied mounting fixtures and transducers as well as the intended accessories.
- Always wear the required personal protective equipment.

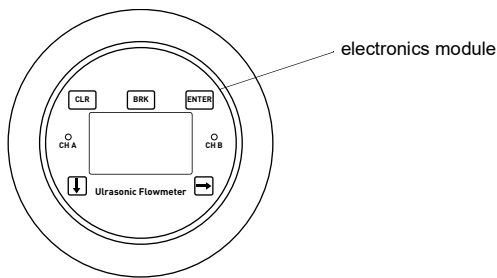
## 2.5 Safety instructions for the operator

- The operator shall qualify the personnel to perform their assigned tasks. The operator shall provide the required personal protective equipment and oblige the personnel to wear it. It is recommended to risk assess the workplace.
- Besides the safety instructions in this operating instruction, the health, safety and environment regulations applicable for the range of application of the transmitter, transducers and accessories have to be observed.
- With the exceptions stated in chapter 12, the measuring equipment is maintenance-free. Any components and spare parts may only be replaced by FLEXIM. The operator shall carry out periodic checks for changes or damages that can present a danger. For further information, contact FLEXIM.
- Observe the specifications for the installation and connection of the transmitter, transducers and accessories.

## 2.6 Safety instructions for electrical work

- Prior to any work on the transmitter (e.g., installation, dismantling, connection, service and maintenance), the transmitter has to be disconnected from the power supply.
- Electrical work may only be carried out if there is enough space.
- Open the transmitter in safe ambient conditions only (e.g., air humidity < 90 %, no conductive pollution, no explosive atmosphere).
- The degree of protection of the transmitter is only ensured if all cables are tightly fitted using cable glands and the housing is firmly screwed.
- The condition and tight fit of the electrical connections have to be checked at regular intervals.
- When connecting the transmitter to the power supply, an appropriate equipment switch according to IEC 60947-1 and IEC 60947-3 has to be installed as disconnecting device. The equipment switch has to disconnect all live wires. The ground conductor connection must not be interrupted. The equipment switch has to be easily accessible and clearly marked as a disconnecting device for the transmitter. It should be located near the transmitter. If the transmitter is used in an explosive atmosphere, the equipment switch has to be installed outside the explosive atmosphere. If this is not possible, it has to be installed in the least hazardous area.
- The connection may only be made to networks up to overvoltage category II. When connecting the inputs and outputs as well as the power supply, observe the installation instructions, in particular the terminal assignment.
- The electronic module must not be removed from the housing. The transmitter does not contain any components to be maintained by the user. For repair and service work, please contact FLEXIM.
- Observe the safety and accident prevention regulations for electrical systems and equipment.

Fig. 2.1: Transmitter



## 2.7 Safety instructions for transport

### Caution!



#### Warning of injuries due to falling objects

- Unsecured and falling objects can lead to severe injuries.
- Secure all components against falling during transport.
  - Wear the required personal protective equipment.
  - Observe the applicable rules.

- If you detect a transport damage when unpacking the delivery, please contact the supplier or FLEXIM immediately.
- The transmitter is a sensitive electronic measuring instrument. Avoid shocks or impacts.
- Handle the transducer cable with care. Avoid excessive bending or buckling. Observe the ambient conditions.
- Select a solid surface to put the transmitter, transducers and accessories on.
- The transmitter, transducers and accessories have to be properly packed for transport:
  - Use, if possible, the original packaging by FLEXIM or an equivalent cardboard box.
  - Position the transmitter, transducers and accessories in the middle of the cardboard box.
  - Fill any voids with appropriate packaging material (e.g., paper, foam, bubble wrap).
  - Protect the cardboard box against humidity.

## 2.8 Recommended procedure in hazardous situations

### Fire fighting measures

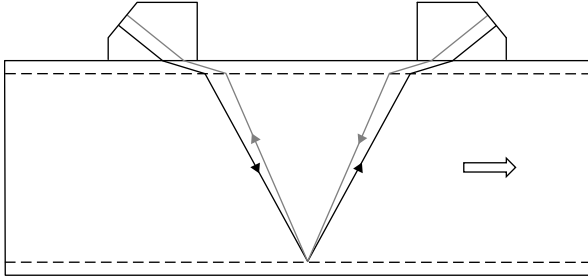
- If possible, disconnect the transmitter from the power supply.
- Prior to extinguishing, protect any electrical parts that are not affected by the fire (e.g., using a cover).
- Select a suitable extinguishing agent. Avoid, if possible, conductive extinguishing agents.
- Observe the applicable minimum distances. The minimum distances differ depending on the used extinguishing agent.

### 3 General principles – analysis

#### 3.1 Measurement principle

The ultrasonic transducers are mounted on the pipe which is completely filled with the fluid. The ultrasonic signals are alternatively emitted and received by the transducers. The physical quantity is determined from the transit time of the ultrasonic signals.

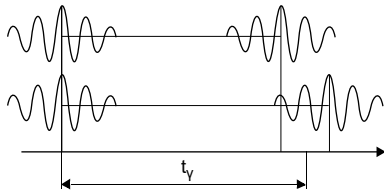
Fig. 3.1: Path of the ultrasonic signal in the flowing fluid



#### Transit time measurement

The average of the transit times of the ultrasonic signals in the fluid and the length of the sound paths in the fluid are used for the calculation of the sound speed. By using the average, the sound speed is independent of the flow velocity of the fluid. The physical quantities for analysis are determined by the sound speed.

Fig. 3.2: Average of the transit times in the flowing fluid  $t_V$



#### Calculation of the sound speed

$$c_V = \frac{l_V}{t_V}$$

where

- $c_V$  – sound speed in the fluid
- $l_V$  – sound path in the fluid
- $t_V$  – average of the transit times in the fluid

The ultrasonic analyzer PIOX S can provide information about composition of mixtures. For this purpose, the sound speed and the temperature are measured and the physical quantity for analysis is determined by means of the data sets stored in the transmitter.

For the standard data sets, the physical quantities for analysis from Tab. "Physical quantities for analysis" are selectable. Customized data sets with special physical quantities for analysis can be created in the FLEXIM laboratory.

## 3.2 Terms

Tab. 3.1: Terms

term	explanation
analyte	components of a mixture which are to be chemically analyzed
matrix	components of a mixture which are not to be analyzed

The transmitter can be used for the determination of the following physical quantities for analysis:

Tab. 3.2: Physical quantities for analysis

physical quantity for analysis	display	description	unit of measurement
mass fraction	Mass fraction	mass fraction of the analyte in the mixture (mass fraction, weight proportion)	M% wt% ppm
volume fraction	Volume fraction	volume fraction of the analyte in the mixture	Vol% vol% ppm
mole fraction	Mole fraction	analyte proportion of the mixture (mole fraction, particle fraction)	mol% ppm
analyte concentration	Analyte concentr.	analyte mass per volume of the mixture at reference temperature	g/l
matrix concentration	Matrix concentration*	matrix mass per volume of the mixture at reference temperature	g/l
density	Density	density at current fluid temperature (operating density)	kg/cm <sup>3</sup> g/cm <sup>3</sup> pounds per gallon
standardized density	Norm. density	density at a reference temperature (laboratory density, reference density)	kg/cm <sup>3</sup> g/cm <sup>3</sup> pounds per gallon
standardized sound speed	Std. sound speed	sound speed at reference temperature	m/s

\* The analysis quantity `Matrix concentration` is only displayed in the menu `Parameters\Select analysis quant.` if a fluid is selected in which analyte and matrix are miscible in any proportion.

### Notice!

The values of the analysis quantity for analysis of customer specific data sets and standard data sets can differ from each other.

For the conversion of kg/m<sup>3</sup> to g/cm<sup>3</sup> and from metric to imperial units, see the menu item `Miscellaneous\Units of measurement`.

## 4 Basics – flow measurement

In the ultrasonic flow measurement, the flow velocity of the fluid in a pipe is determined. Further physical quantities are derived from the flow velocity and from additional physical quantities, if necessary.

### 4.1 Measurement principle

The flow velocity of the fluid is measured using the transit time difference correlation principle.

#### 4.1.1 Terms

##### Flow profile

Distribution of flow velocities over the cross-sectional pipe area. For an optimal measurement, the flow profile has to be fully developed and axisymmetrical. The shape of the flow profile depends on whether the flow is laminar or turbulent and is influenced by the conditions at the inlet of the measuring point.

##### Reynolds number $Re$

Coefficient describing the turbulence behavior of a fluid in the pipe. The Reynolds number  $Re$  is calculated from the flow velocity, the kinematic viscosity of the fluid and the inner pipe diameter.

If the Reynolds number exceeds a critical value (usually approx. 2300, if the fluid flows in a pipe), a transition from a laminar flow to a turbulent flow takes place.

##### Laminar flow

A flow without any turbulence. There is no mixing between the parallel flowing layers of the fluid.

##### Turbulent flow

A flow with turbulences (swirling of the fluid). In technical applications, the flow in the pipe is mostly turbulent.

##### Transition range

The flow is partly laminar and partly turbulent.

##### Sound speed $c$

Speed of the propagating sound. The sound speed depends on the mechanical properties of the fluid or the pipe material. In pipe materials and other solid materials, a distinction is made between the longitudinal and transversal sound speed.

##### Flow velocity $v$

Average value of all flow velocities of the fluid over the cross-sectional pipe area.

##### Acoustic calibration factor $k_a$

$$k_a = \frac{c_\alpha}{\sin \alpha}$$

The acoustic calibration factor  $k_a$  is a transducer parameter which results from the sound speed  $c$  within the transducer and the angle of incidence. According to Snell's law of refraction, the angle of propagation in the adjoining fluid or pipe material is:

$$k_a = \frac{c_\alpha}{\sin \alpha} = \frac{c_\beta}{\sin \beta} = \frac{c_\gamma}{\sin \gamma}$$

##### Fluid mechanics calibration factor $k_{Re}$

With the fluid mechanics calibration factor  $k_{Re}$ , the measured value of the flow velocity in the area of the sound beam is converted into the value of the flow velocity across the whole cross-sectional pipe area. In case of a fully developed flow profile, the fluid mechanics calibration factor only depends on the Reynolds number and the roughness of the inner pipe wall. The fluid mechanics calibration factor is recalculated by the transmitter for each new measurement.

##### Volumetric flow rate $\dot{V}$

$$\dot{V} = v \cdot A$$

The volume of the fluid that passes through the pipe per unit time. The volumetric flow rate is calculated from the product of the flow velocity  $v$  and the cross-sectional pipe area  $A$ .

##### Mass flow rate $\dot{m}$

$$\dot{m} = \dot{V} \cdot \rho$$

The mass of the fluid that passes through the pipe per unit time. The mass flow rate is calculated from the product of the volumetric flow rate  $\dot{V}$  and the density  $\rho$ .

### 4.1.2 Measurement of the flow velocity

The signals are emitted and received by two transducers alternatively in and against the flow direction. If the fluid is flowing, the signals propagating in the fluid are displaced with the flow.

Caused by this displacement, the sound path of the signal is reduced in flow direction and increased in the opposite direction.

This causes a change in the transit times. The transit time of the signal in flow direction is shorter than the transit time against the flow direction. The transit time difference is proportional to the average flow velocity.

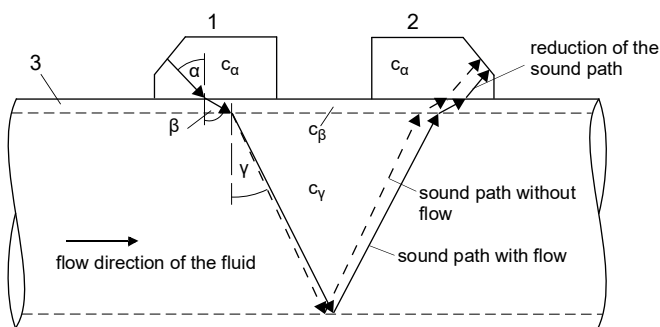
The average flow velocity of the fluid is calculated as follows:

$$v = k_{Re} \cdot k_a \cdot \frac{\Delta t}{2 \cdot t_V}$$

where

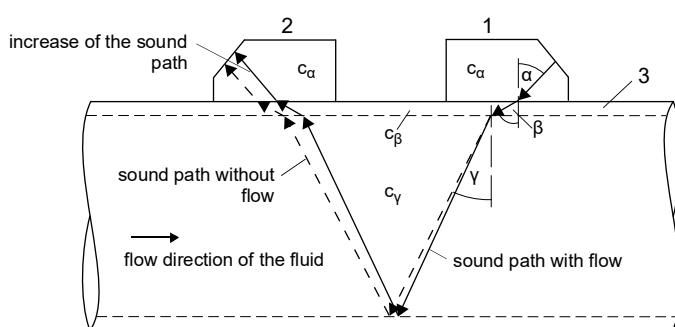
- $v$  – average flow velocity of the fluid
- $k_{Re}$  – fluid mechanic calibration factor
- $k_a$  – acoustic calibration factor
- $\Delta t$  – transit time difference
- $t_V$  – transit time in the fluid

Fig. 4.1: Sound path of the signal in the flow direction



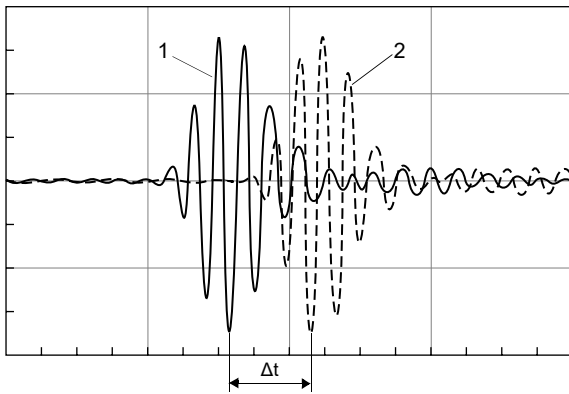
- $c$  – sound speed
- 1 – transducer (emitter)
- 2 – transducer (receiver)
- 3 – pipe wall

Fig. 4.2: Sound path of the signal against the flow direction



- $c$  – sound speed
- 1 – transducer (emitter)
- 2 – transducer (receiver)
- 3 – pipe wall

Fig. 4.3: Transit time difference  $\Delta t$



- 1 – signal in the flow direction
- 2 – signal against the flow direction

## 4.2 Measurement arrangements

### 4.2.1 Terms

diagonal arrangement	reflection arrangement
The transducers are mounted on opposite sides of the pipe.	The transducers are mounted on the same side of the pipe.

### Sound path

The distance covered by the ultrasonic signal after crossing the pipe once. The number of the sound paths is:

- odd if the measurement is carried out in diagonal arrangement
- even if the measurement is carried out in reflection arrangement

### Beam

The path covered by the ultrasonic signal between the transducers, i.e., the transducer emitting the ultrasonic signal and the transducer receiving it. One beam consists of 1 or several sound paths.

Fig. 4.4: Diagonal arrangement with 2 beams and 3 sound paths

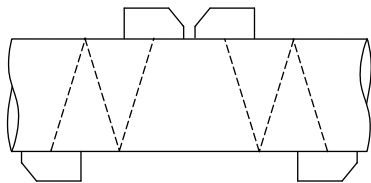
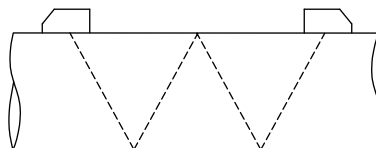
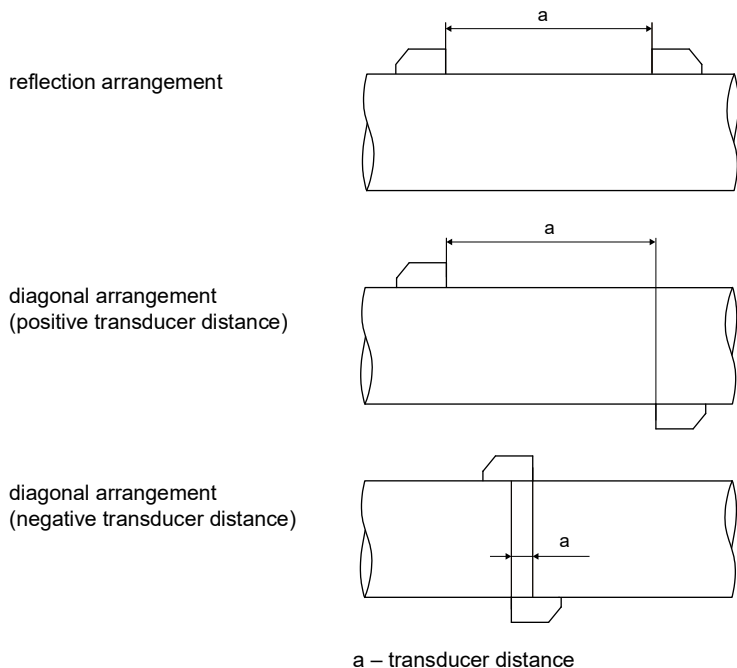


Fig. 4.5: Reflection arrangement with 1 beam and 4 sound paths



**Transducer distance**

The transducer distance is measured between the inner edges of the transducers.



**Sound beam plane**

Plane containing 1 or several sound paths or beams

Fig. 4.6: 2 beams in 1 plane

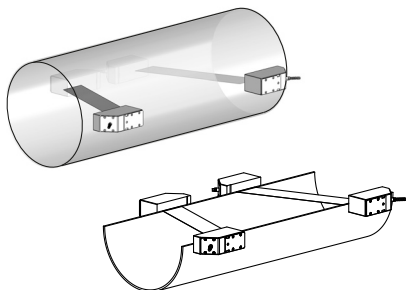
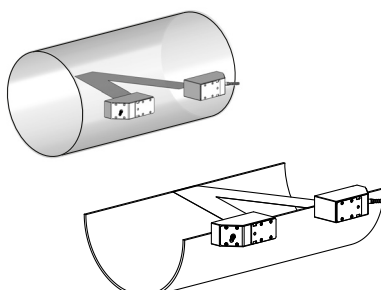
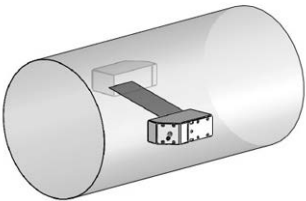
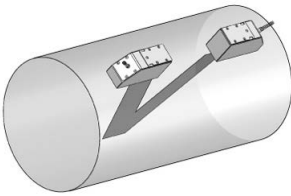


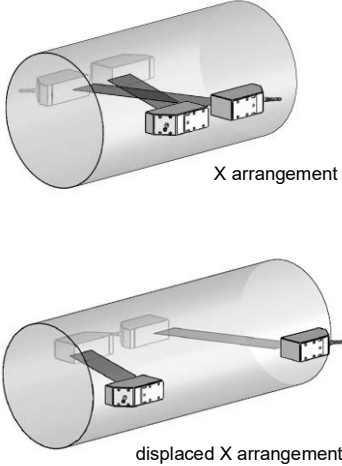
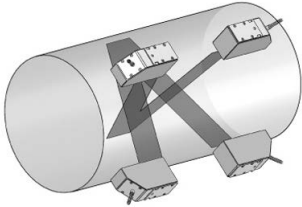
Fig. 4.7: 2 sound paths in 1 plane



**4.2.2 Examples**

diagonal arrangement with 1 beam	reflection arrangement with 1 beam
1 transducer pair 1 sound path 1 beam 1 plane 	1 transducer pair 2 sound paths 1 beam 1 plane 



diagonal arrangement with 2 beams	reflection arrangement with 2 beams and 2 planes
<p>2 transducer pairs 2 sound paths 2 beams 1 plane</p>  <p>X arrangement</p> <p>displaced X arrangement</p>	<p>2 transducer pairs 4 sound paths 2 beams 2 planes</p> 

### 4.3 Acoustic penetration

The pipe has to be acoustically penetrable at the measuring point. The acoustic penetration is given when pipe and fluid do not attenuate the sound signal so strongly that it is completely absorbed before reaching the second transducer.

The attenuation caused by the pipe and the fluid depends on:

- kinematic viscosity of the fluid
- proportion of gas bubbles and solid particles in the fluid
- deposits on the inner pipe wall
- pipe material

The following requirements have to be met at the measuring point:

- pipe always completely filled
- no deposits of solid particles in the pipe
- no formation of gas bubbles

#### Notice!

Even bubble-free fluids can form gas bubbles when the fluid expands, e.g., before pumps and after great cross-section extensions.

Observe the following notes on the selection of the measuring point:

#### Horizontal pipe

Select a measuring point where the transducers can be mounted laterally on the pipe, allowing the sound waves to propagate horizontally in the pipe. Thus, solid particles on the bottom of the pipe or gas bubbles in the upper part are prevented from influencing the propagation of the signal.

Fig. 4.8: Recommended transducer mounting position (laterally)

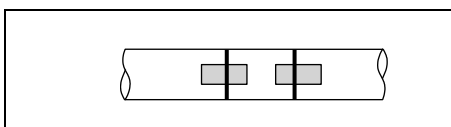
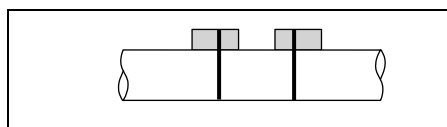


Fig. 4.9: Disadvantageous transducer mounting position (on top)



**Vertical pipe**

Select the measuring point at a pipe section where the fluid flows upward. The pipe has to be completely filled.

Fig. 4.10: Recommended transducer mounting position

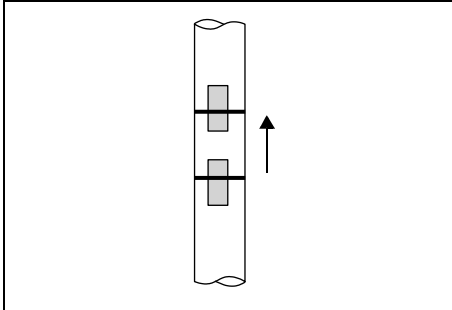
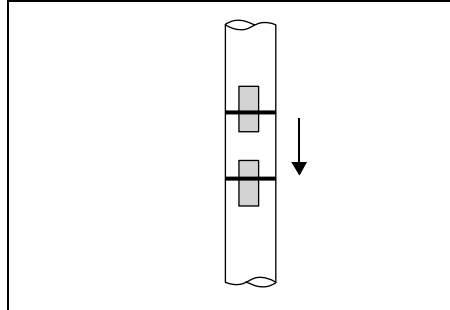


Fig. 4.11: Disadvantageous transducer mounting position



**Free inlet or outlet pipe section**

Select the measuring point at a pipe section where the pipe cannot run empty.

Fig. 4.12: Recommended transducer mounting position

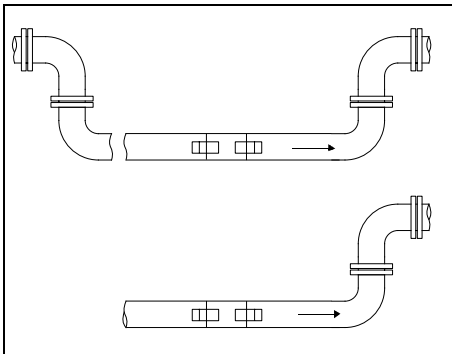
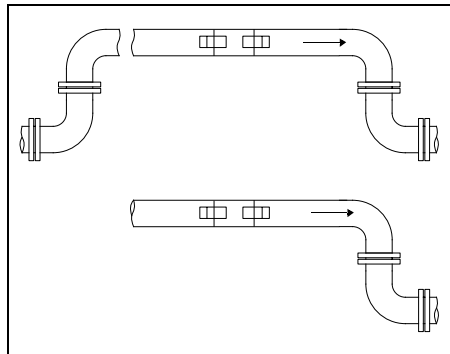


Fig. 4.13: Disadvantageous transducer mounting position



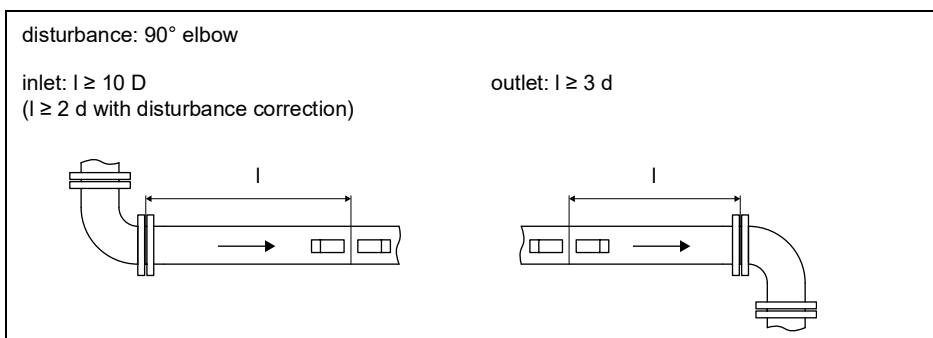
**4.4 Undisturbed flow profile**

Some flow elements (e.g., elbows, valves, pumps, reducers) distort the flow profile in their vicinity. The axisymmetrical flow profile in the pipe needed for correct measurement is no longer given. A careful selection of the measuring point helps to reduce the impact of disturbances.

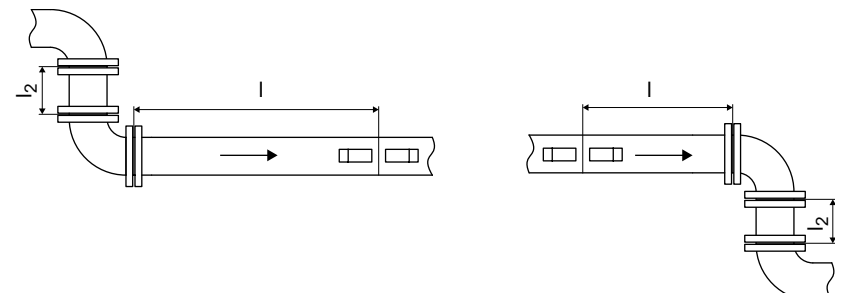
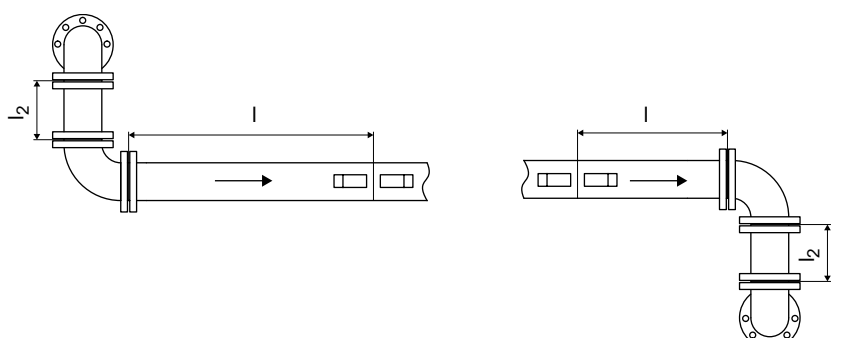
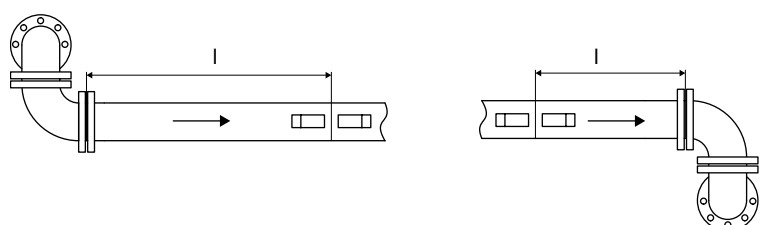

It is most important that the measuring point is chosen at a sufficient distance from any disturbances. Only then it can be assumed that the flow profile in the pipe is fully developed. The use of the disturbance correction (see section 14.2.1) allows a measurement even at smaller distances of min. 2 d.

The recommended straight inlet and outlet pipe lengths for different types of flow disturbances are shown in the following table.

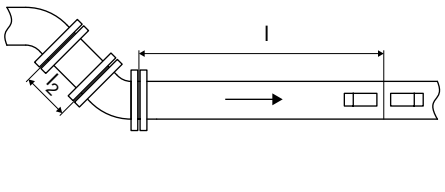
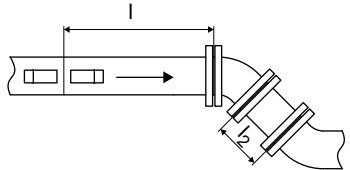
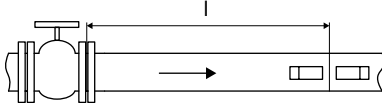
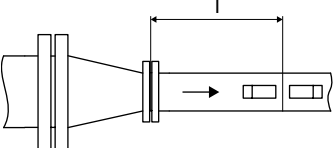
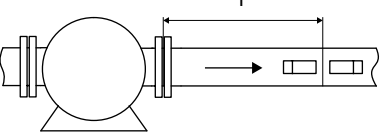
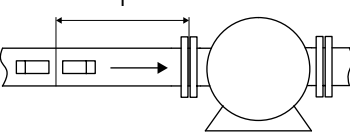
Tab. 4.1: Recommended distance from disturbances  
 d – inner pipe diameter at the measuring point  
 l – recommended distance between disturbance and transducer position



Tab. 4.1: Recommended distance from disturbances  
 $d$  – inner pipe diameter at the measuring point  
 $l$  – recommended distance between disturbance and transducer position

<p>disturbance: 90° double elbow (with elbow distance <math>l_2 \geq 3 d</math>)</p> <p>inlet: <math>l \geq 10 D</math> (<math>l \geq 2 d</math> with disturbance correction)</p> <p>outlet: <math>l \geq 3 d</math></p> 
<p>disturbance: double elbow out of plane (with elbow distance <math>l_2 \geq 3 d</math>)</p> <p>inlet: <math>l \geq 10 D</math> (<math>l \geq 2 d</math> with disturbance correction)</p> <p>outlet: <math>l \geq 3 d</math></p> 
<p>disturbance: double elbow out of plane (directly coupled)</p> <p>inlet: <math>l \geq 40 D</math> (<math>l \geq 2 d</math> with disturbance correction)</p> <p>outlet: <math>l \geq 3 d</math></p> 
<p>disturbance: 45° elbow</p> <p>inlet: <math>l \geq 15 D</math> (<math>l \geq 2 d</math> with disturbance correction)</p> <p>outlet: <math>l \geq 3 d</math></p> 

Tab. 4.1: Recommended distance from disturbances  
 d – inner pipe diameter at the measuring point  
 l – recommended distance between disturbance and transducer position

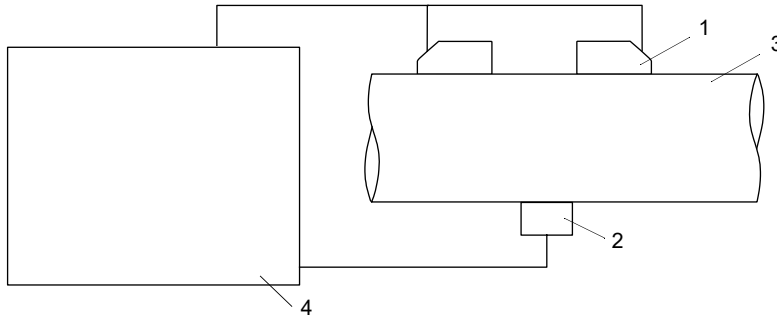
disturbance: 45° double elbow (with elbow distance $l_2 \geq 3 d$ ) inlet: $l \geq 15 D$ ( $l \geq 2 d$ with disturbance correction)		outlet: $l \geq 3 d$	
			
disturbance: valve		outlet: $l \geq 3 d$	
inlet: $l \geq 40 d$			
disturbance: reducer		outlet: $l \geq 3 d$	
inlet: $l \geq 10 D$ ( $l \geq 2 d$ with disturbance correction)			
disturbance: pump		outlet: $l \geq 3 d$	
inlet: $l \geq 20 D$			
			

## 5 Product description

### 5.1 Measuring system

The measuring system consists of the transmitter, the temperature probe, the ultrasonic transducers and the pipe on which the measurement is taken.

Fig. 5.1: Example of a measurement arrangement



- 1 – transducer
- 2 – temperature probe
- 3 – pipe
- 4 – transmitter

### 5.2 Handling concept

The command panel is on the front side of the transmitter. The keys are operated using a magnetic pen with the housing being closed.


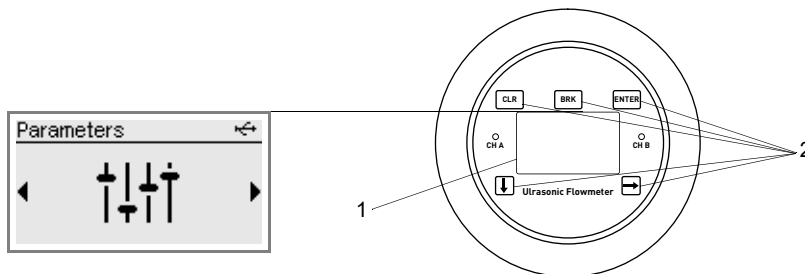
By pressing  or CLR the menus are displayed consecutively:

Fig. 5.2: Command panel of the transmitter



- 1 – LCD display (backlight)
- 2 – keyboard

Tab. 5.1: Description of the menus

menu	description
Parameters	input of sensor, pipe and fluid parameters
Installation	input of measuring point specific parameters
Start measurement	measurement start <sup>(1)</sup>
Show measurement	measured value display <sup>(2)</sup>
Stop measurement	measurement stop <sup>(2)</sup>
Inputs	configuration and assignment of inputs
Outputs	output configuration
Functions	configuration of event triggers and remote functions
Storage	configuration of the data logger and snaps
Calibration	definition of correction values to compensate unfavorable measuring conditions
Communication	configuration of communication interfaces (e.g. fieldbuses (option))
Miscellaneous	settings of system and measurement and changes in dialogs and menus

<sup>(1)</sup> will only be displayed if no measurement is running

<sup>(2)</sup> will only be displayed if a measurement is running

When starting up the transmitter for the first time, settings relating to the language, time, date and system of units have to be made. Afterwards the menu `Parameters` will be displayed.

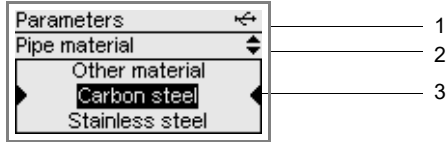
At later start-ups the measured values will be displayed in case the measurement had not been stopped before the transmitter was disconnected from the power supply. If the measurement is stopped, the menu `Parameters` will be displayed.

After starting the measurement, the parameter settings or the configuration of the transmitter outputs can be displayed at any time without interrupting the measurement. A change of the parameter settings is not possible during the measurement. The measurement has to be stopped in order to change the parameter settings or configuration of the transmitter outputs.

### 5.3 Display

#### Structure

Fig. 5.3: Example: menu Parameters



- 1 – menu
- 2 – menu item currently edited
- 3 – area for scroll lists, selection fields or input fields

Tab. 5.2: Navigation

horizontal scroll list	vertical scroll list	selection fields	input fields
<ul style="list-style-type: none"> <li>• scroll horizontally with  or CLR</li> </ul>	<ul style="list-style-type: none"> <li>• scroll vertically with  or </li> </ul>	<ul style="list-style-type: none"> <li>• scroll horizontally with  or CLR</li> <li>• activate/deactivate with </li> </ul>	<ul style="list-style-type: none"> <li>• input numbers or text with  or </li> <li>• delete with CLR</li> </ul>

#### Status indicators

Several symbols are used as status indicators.

Fig. 5.4: Status indicators (line 1)

Measurement

Volumetric flow rate

**16.97**

+157.404 m3?

1.91 m/s

running measurement

error message

data logger full

connection via USB cable

key lock activated

F



C

S

M

status signal symbol



## 5.4 Keyboard

The keyboard consists of the following keys: ENTER, BRK, CLR,  and . The keys are operated using a magnetic pen with the housing being closed.



Tab. 5.3: General functions

ENTER	confirmation of selection or input
BRK	during the parameter input: short press: return to the previous menu item long press (several seconds): return to the beginning of the menu during the measurement: return to the main menu, stop of measurement or parameter display



Tab. 5.4: Navigation

	scroll to the right or up through a scroll list
	scroll down through a scroll list
CLR	scroll to the left through a scroll list

Tab. 5.5: Input of numbers

	move the cursor to the right
	scroll through the numbers above the cursor
CLR	short press: move the cursor to the left long press (several seconds): reset the value to the previously stored one

Tab. 5.6: Input of text

	move the cursor to the right
	scroll through the characters above the cursor
CLR	short press: move the cursor to the left long press (several seconds): reset the text to the previously stored one



## 6 Transport and storage

### Caution!

**When packaging, the transmitter can fall down.**

There is a danger of crushing body parts or damaging the measuring equipment.

- Secure the transmitter against falling during packaging.
- Wear the required personal protective equipment.
- Observe the applicable rules.

### Caution!

**When lifting, the center of gravity of the transmitter can be displaced within the cardboard box. The transmitter can fall down.**

There is a danger of crushing body parts or damaging the measuring equipment.

- Secure the transmitter against falling during transport.
- Wear the required personal protective equipment.
- Observe the applicable rules.

### 6.1 Transport

The measuring equipment must be packaged properly for transport. For weight indications, see technical specification.

- Use, if possible, the original packaging by FLEXIM or an equivalent cardboard box.
- Position the transmitter, transducers and accessories in the middle of the cardboard box.
- Fill any voids with appropriate packaging material (e.g., paper, foam, bubble wrap).
- Protect the cardboard box against humidity.

### 6.2 Storage

- Store the measuring equipment within the original package.
- Do not store the measuring equipment outdoors.
- Seal all openings with blind plugs.
- Protect the measuring equipment against sunlight.
- Storage the measuring equipment in a dry place without dust and within the valid temperature range, see technical specification.

## 7 Mounting

### Danger!



#### **Risk of explosion when using the measuring equipment in explosive atmospheres**

This may result in personal or material damage or dangerous situations.

→ Observe the "Safety instructions for the use in explosive atmospheres".

### Warning!



#### **Installation, connection and start-up by unauthorized and unqualified personnel**

This may result in personal or material damage or dangerous situations.

→ Any work on the transmitter has to be carried out by authorized and qualified personnel.

### Warning!



#### **Touching live parts**

Electric shock or arc faults can lead to severe injuries. The measuring equipment can be damaged.

→ Prior to any work on the transmitter (e.g., installation, dismantling, connection, start-up), the transmitter has to be disconnected from the power supply.

### Caution!



#### **Safety and accident prevention regulations for electrical systems and equipment**

Failure to observe these regulations may lead to severe injuries.

→ Observe the safety and accident prevention regulations for electrical systems and equipment.

### Caution!



#### **Touching hot or cold surfaces**

This may result in injuries (e.g., thermal damages).

→ Observe the ambient conditions at the measuring point during installation.

→ Wear the required personal protective equipment.

→ Observe the applicable rules.

### Important!

Remove all protective foils before using the measuring equipment in explosive atmospheres (see document SIFLUXUS).

## 7.1 Transmitter

### 7.1.1 Opening and closing the housings

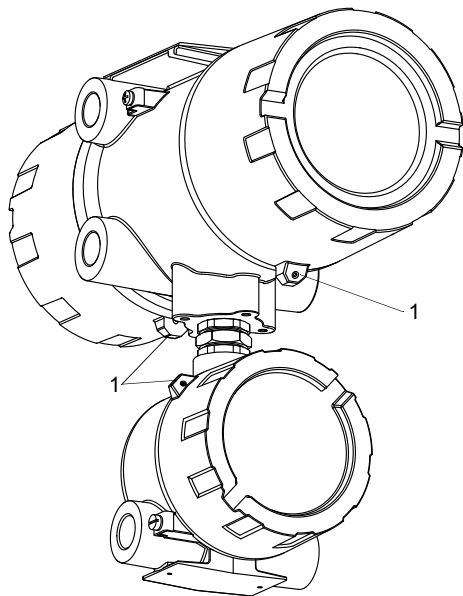
**Important!**

Do not open the housings using objects which may damage the thread or housing gasket.

#### 7.1.1.1 Transmitter with aluminum housing

The transmitter has 3 set screws which have to be unscrewed before the housings can be opened. After the installation of the transmitter, make sure that the housings are closed correctly and that the set screws are tightened.

Fig. 7.1: Transmitter



1 – set screw

### 7.1.1.2 Transmitter with stainless steel housing

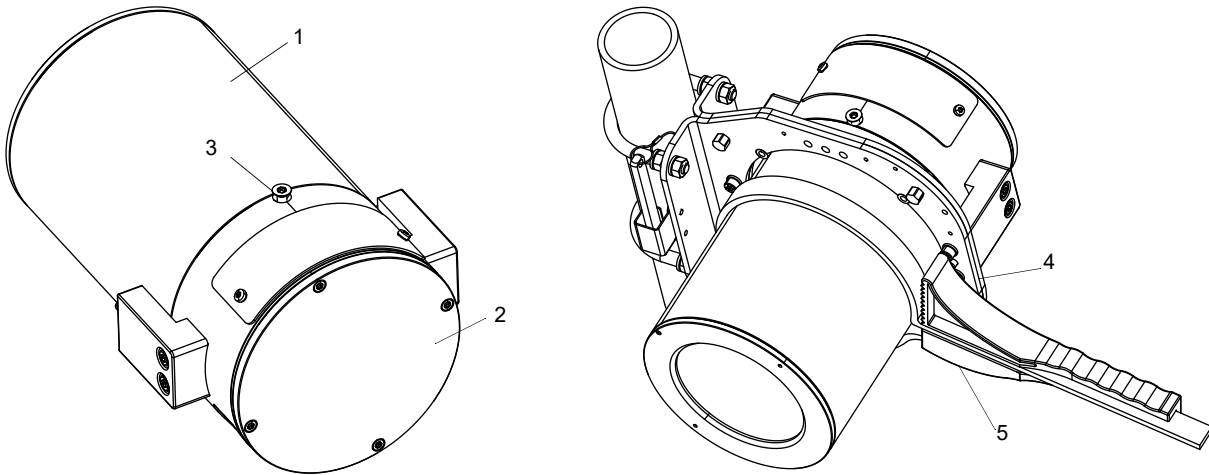
#### Housing

The transmitter has a countersunk screw which has to be unscrewed before the housing can be opened. The transmitter has to be mounted to the instrument mounting plate in case the housing is to be opened. Use a strap wrenches (not included in the delivery) to open and close the housing. After the installation, make sure that the housing is closed correctly and that the countersunk screw is tightened.

#### Cover plate

- Loosen the 4 screws of the cover plate.
- Remove the cover plate. Do not use tools that may damage the gasket. If necessary, lightly tap the cover plate with a plastic hammer.

Fig. 7.2: Transmitter and strap wrench



- 1 – housing
- 2 – cover plate
- 3 – countersunk screw
- 4 – instrument mounting plate
- 5 – strap wrench

### 7.1.2 Installation of the transmitter

#### Caution!



**The transmitter can fall down during installation.**

There is a danger of crushing body parts or damaging the measuring equipment.

- Secure the transmitter against falling.
- Wear the required personal protective equipment.
- Observe the applicable rules.

#### Caution!



**The instrument mounting plate has sharp edges.**

Risk of injury.

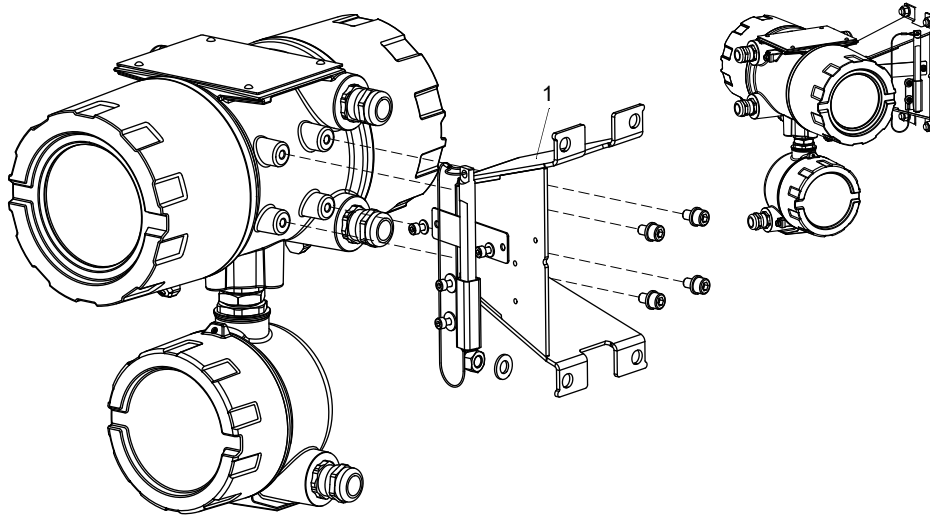
- Debur sharp edges.
- Wear the required personal protective equipment.
- Observe the applicable rules.

### 7.1.2.1 Wall mounting

#### Transmitter with aluminum housing

- Fix the instrument mounting plate to the wall using the 4 screws.
- Fix the transmitter to the instrument mounting plate.

Fig. 7.3: Wall mounting of the transmitter

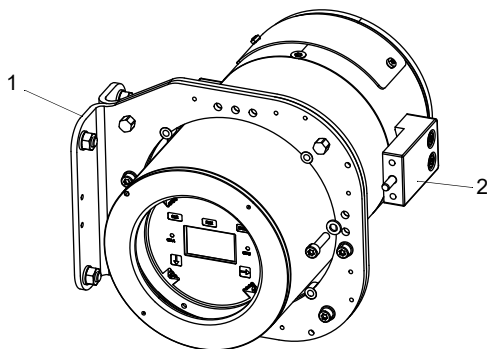


1 – instrument mounting plate

#### Transmitter with stainless steel housing

- Fix the instrument mounting plate to the wall using the 4 screws.
- Slide the transmitter into the instrument mounting plate.
- Fix the transmitter support to the instrument mounting plate.

Fig. 7.4: Installation of the transmitter



1 – instrument mounting plate  
2 – support

### 7.1.2.2 Pipe mounting

#### Notice!

The pipe has to be sufficiently stable to withstand the pressure exerted by the transmitter and the shackles.

#### Transmitter with aluminum housing

##### *Mounting on a 2" pipe*

The instrument mounting plate is fixed to the pipe using the shackles.

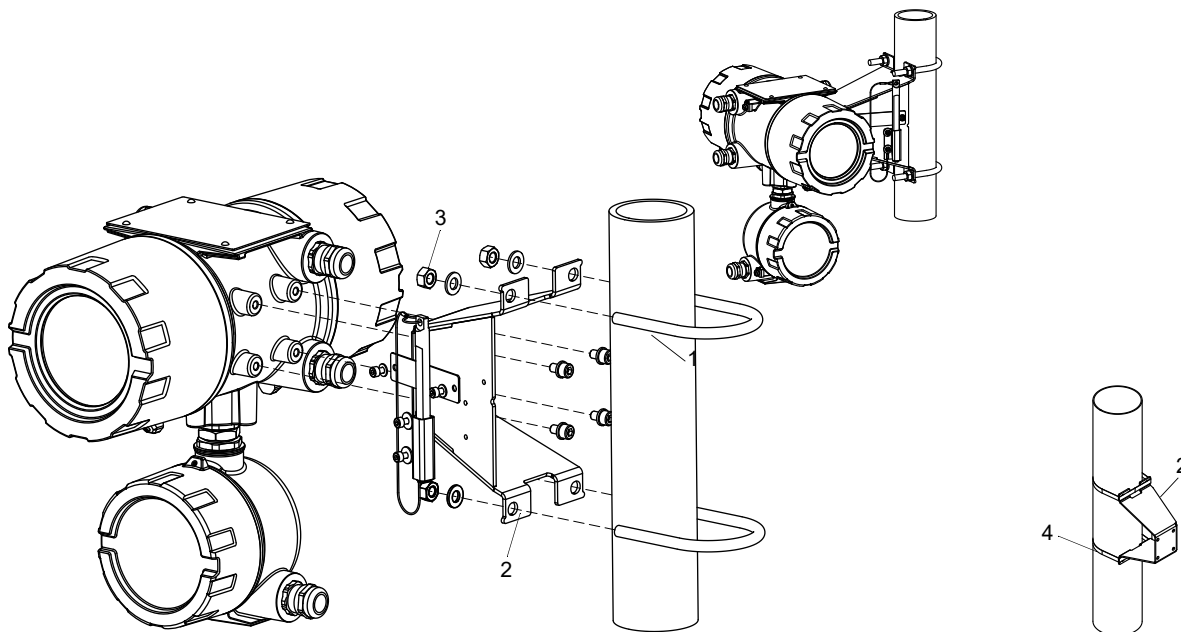
- Fix the instrument mounting plate with the shackles to the pipe by tightening the nuts.
- Fix the transmitter to the instrument mounting plate.

##### *Mounting on a pipe > 2"*

The instrument mounting plate is fixed to the pipe using tension straps.

- Fix the instrument mounting plate to the pipe using the tension straps instead of the shackles.
- Fix the transmitter to the instrument mounting plate.

Fig. 7.5: Pipe mounting of the transmitter



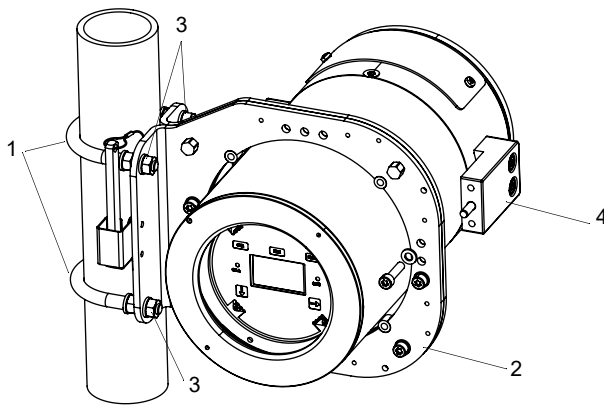
- 1 – shackle
- 2 – instrument mounting plate
- 3 – nut
- 4 – tension strap

### Transmitter with stainless steel housing

#### **Mounting on a 2" pipe**

- Position the shackles on the pipe.
- Fix the instrument mounting plate with the shackles and the nuts to the pipe.
- Fix the transmitter support to the instrument mounting plate.

Fig. 7.6: Installation of the transmitter



- 1 – shackle
- 2 – instrument mounting plate
- 3 – nut
- 4 – support

## 7.2 Transducers

### Caution!



#### Warning of severe injuries from hot or cold components

Touching hot or cold components can lead to severe injuries (e.g., thermal damage).

- Any mounting, installation or connection work has to be concluded.
- Any work on the measuring point during the measurement is prohibited.
- Observe the ambient conditions at the measuring point during installation.
- Wear the required personal protective equipment.
- Observe the applicable rules.

### 7.2.1 Preparation

#### 7.2.1.1 Measuring point selection

The correct selection of the measuring point is crucial for achieving reliable measurement results and a high measurement accuracy.

A measurement on a pipe is possible if:

- the ultrasound propagates with a sufficiently high amplitude
- the flow profile is fully developed

The correct selection of the measuring point and the correct transducer positioning guarantee that the sound signal will be received under optimum conditions and evaluated correctly.

Because of the variety of applications and the different factors that influence the measurement, there is no standard solution for the transducer positioning.


The measurement is influenced by the following factors:

- diameter, material, lining, wall thickness and shape of the pipe
- fluid
- gas bubbles in the fluid
- Avoid measuring points in the vicinity of distorted or defective areas of the pipe or in the vicinity of welds.
- Avoid measuring points with deposit formation in the pipe.
- Make sure the pipe surface at the selected measuring point is even.
- Select the location of the transmitter within the transducer cable range.
- The temperature at the measuring point has to be within the specific ambient temperature range of the transmitter and the transducers (see technical specification).

If the measuring point is within an explosive atmosphere, possibly present danger zones and gases have to be determined. The transducers and the transmitter have to be appropriate for these conditions.



**7.2.1.2 Pipe preparation**

<b>Caution!</b>	
	<b>Contact with grinding dust</b>
	This may result in injuries (e.g., breathing difficulties, skin reactions, eye irritations).
	→ Wear the required personal protective equipment. → Observe the applicable rules.

<b>Important!</b>
The pipe has to be sufficiently stable to withstand the pressure exerted by the transducers and the fasteners.

<b>Notice!</b>
Observe the selection criteria of pipe and measuring point.

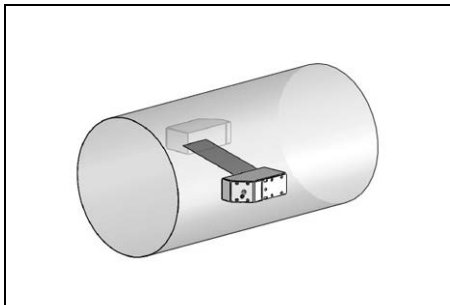
Rust, paint or deposits on the pipe absorb the sound signal. A good acoustic contact between the pipe and the transducers is obtained as follows:

- Clean the pipe at the selected measuring point.
  - If present, the paint layer has to be smoothed by grinding. The paint does not need to be removed completely.
  - Remove any rust or loose paint.

**7.2.1.3 Selection of the measurement arrangement**

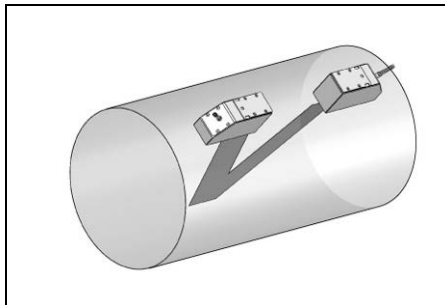
<b>Notice!</b>
The determination of the fluid sound speed which is necessary for the analysis, is independent of the flow profile. The following measuring arrangements can be selected:

**Diagonal arrangement with 1 beam**



- wider flow velocity and sound speed range compared to the reflection arrangement
- use in the presence of deposits on the inner pipe wall or with strongly attenuating gases or liquids (only 1 sound path)

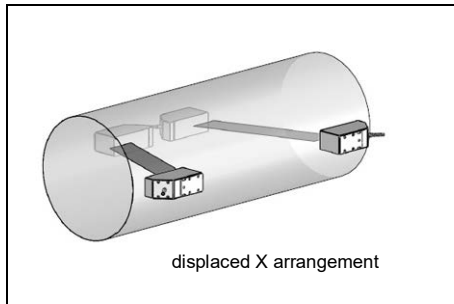
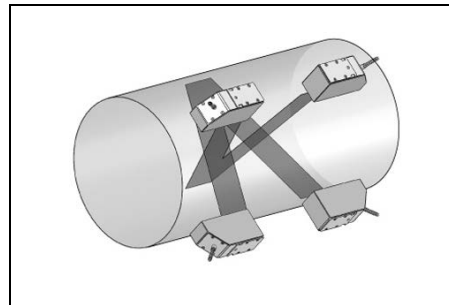
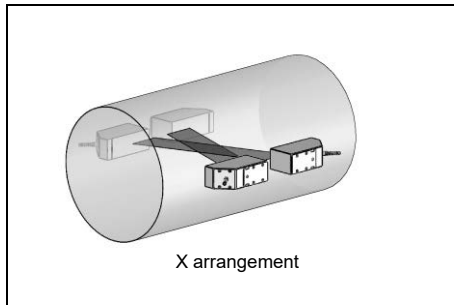
**Reflection arrangement with 1 beam**



- smaller flow velocity and sound speed range compared to the diagonal arrangement
- cross-flow effects are compensated because the beam crosses the pipe in 2 directions
- higher accuracy of measurement because the accuracy increases with the number of sound paths

**Diagonal arrangement with 2 beams**

**Reflection arrangement with 2 beams and 2 planes**



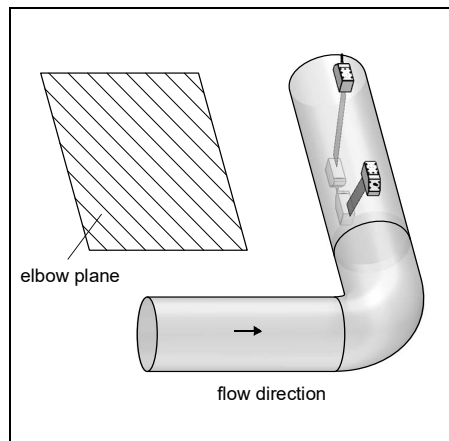
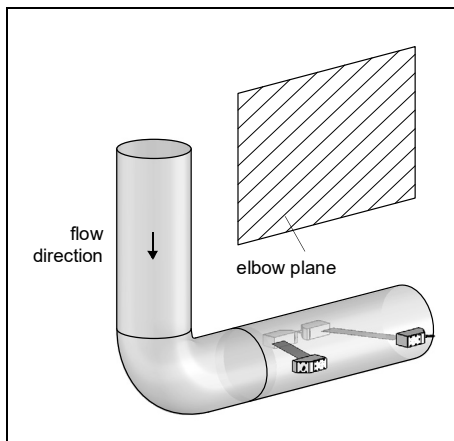
- same characteristics as reflection arrangement with 1 beam
- additional characteristic: influences of the flow profile are compensated because the measurement takes place in 2 planes

- same characteristics as diagonal arrangement with 1 beam
- additional characteristic: cross-flow effects are compensated because the measurement is conducted with 2 beams

If the measuring point is situated near an elbow, the following measurement arrangements are recommended for the selection of the sound beam plane.

**Vertical pipe**

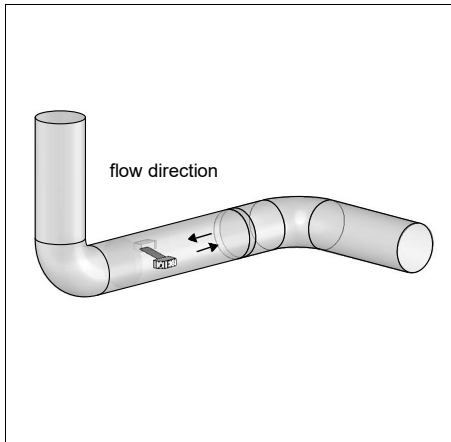
**Horizontal pipe**



- The sound beam plane is selected at an angle of  $90^\circ$  to the elbow plane. The elbow is upstream of the measuring point.

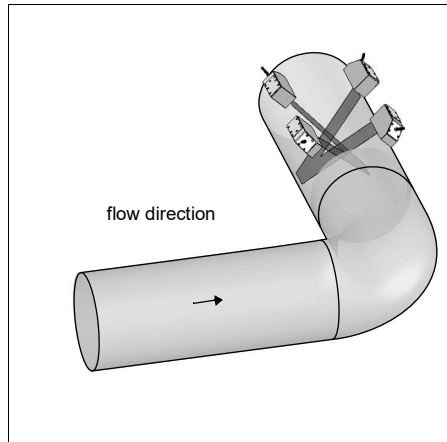
- The sound beam plane is selected at an angle of  $90^\circ \pm 45^\circ$  to the elbow plane. The elbow is upstream of the measuring point.

**Bidirectional measurement**



- The sound beam plane is selected according to the nearest elbow (horizontal or vertical, depending on the pipe orientation, see above).

**Measurement in reflection arrangement with 2 beams and 2 planes**



- The 2 sound beam planes are selected at an angle of 45° to the elbow plane. The elbow is upstream of the measuring point.
- On horizontal pipes, the transducers are mounted on the upper half of the pipe.

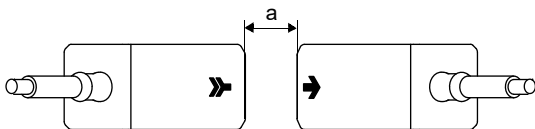
**7.2.2 Installation of the transducers**

**7.2.2.1 Orientation of the transducers and determination of the transducer distance**

Observe the orientation of the transducers. If the transducers have been mounted properly, the engravings on them form an arrow. The transducer cables show in opposite directions.

The transducer distance is measured between the inner edges of the transducers.

Fig. 7.7: Orientation and distance of the transducers



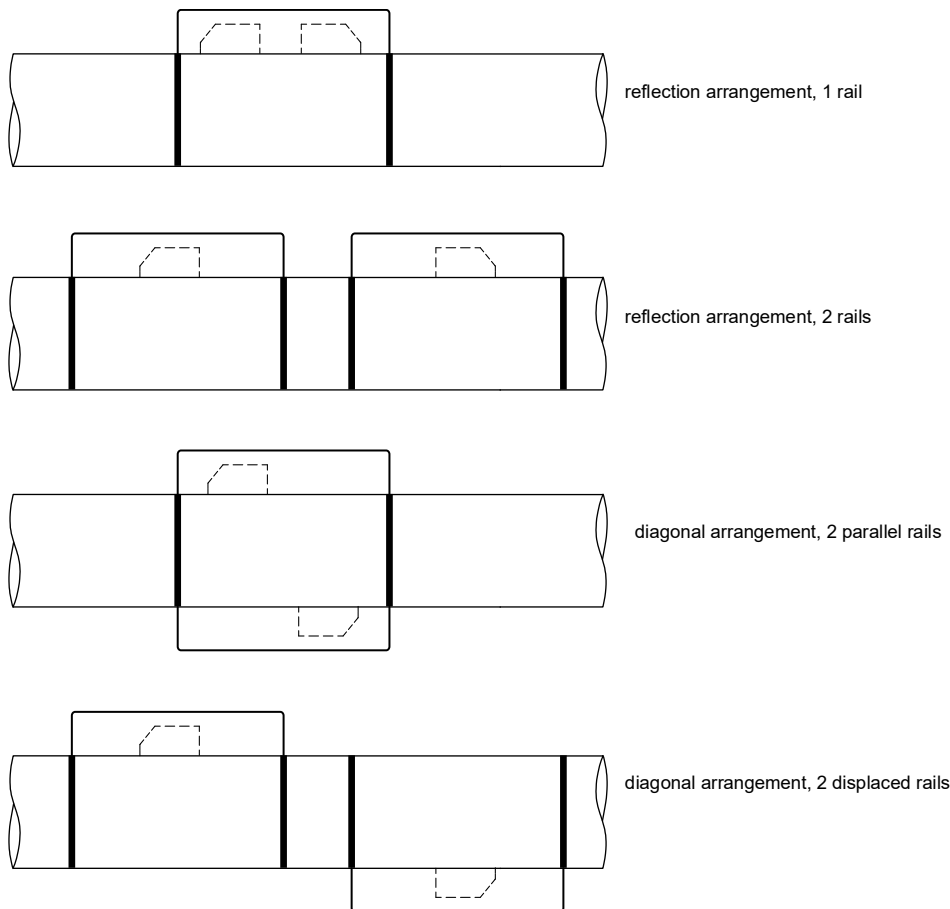
a – transducer distance

- Select the installation instructions of the supplied transducer mounting fixture.

### 7.2.2.2 Transducer arrangement

The transducers can be arranged in the mounting rails in different ways:

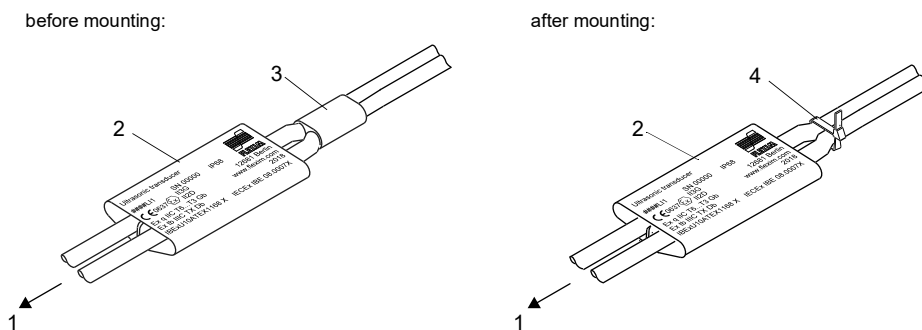
Fig. 7.8: Transducer arrangement in mounting rails



### 7.2.2.3 Mounting the transducers of type \*\*\*\*LI\*\*

If the nameplate of the transducers \*\*\*\*LI\*\* is removed from the transducer cable during installation, it has afterwards to be remounted and fixed to the transducer cable using the provided cable tie. The heat shrink tubing must not be reused.

Fig. 7.9: Nameplate on the transducer cable

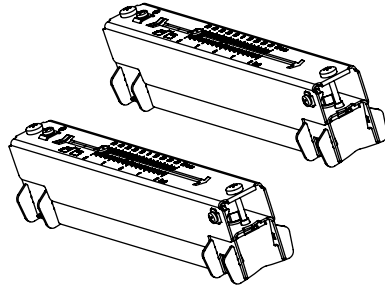


- 1 – transducers
- 2 – nameplate
- 3 – heat shrink tubing
- 4 – cable tie

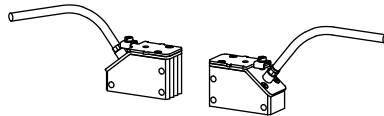
**7.2.2.4 Mounting with Variofix L (PermaRail)**

**Scope of delivery (example)**

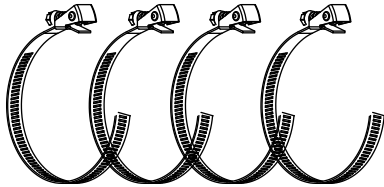
Variofix L



transducer pair

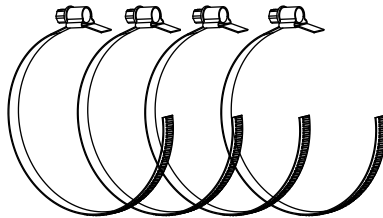


quick release clasp with tension strap



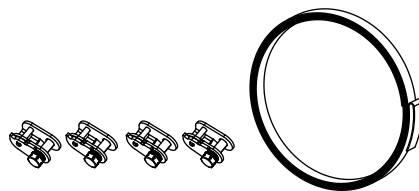
or

band clamp clasp with tension strap



or

ratchet clasp and tension strap coil



### Mounting

When measuring in diagonal arrangement, the transducer mounting fixtures are mounted on opposite sides of the pipe. When measuring in reflection arrangement, the transducer mounting fixtures are mounted on the same side of the pipe. When measuring in diagonal arrangement with 2 beams in displaced X arrangement, 4 transducer mounting fixtures have to be mounted. When measuring in reflection arrangement with a small transducer distance, only 1 transducer mounting fixture has to be mounted.

Tab. 7.1: Approximate values for the mounting of both transducers in one Variofix L

transducer frequency (3rd character of the technical type)	rail length [mm]	transducer distance [mm]
F	368	< 94
G, H, K (****LI*)	368	< 94
G, H, K (except ****LI*)	348	< 89
M, P (Lamb wave transducers)	234	< 84
M, P (shear wave transducers)		< 100
Q	176	< 69

In the following, the mounting of 2 transducer mounting fixtures in reflection arrangement is described (1 transducer mounting fixture for each transducer).

Fig. 7.10: Transducer mounting fixture Variofix L (diagonal arrangement)

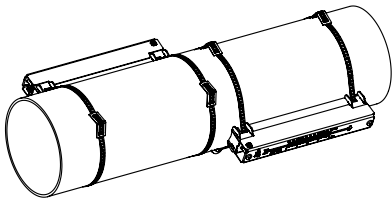
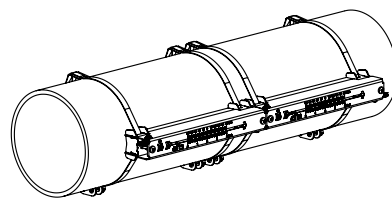


Fig. 7.11: Transducer mounting fixture Variofix L (reflection arrangement)



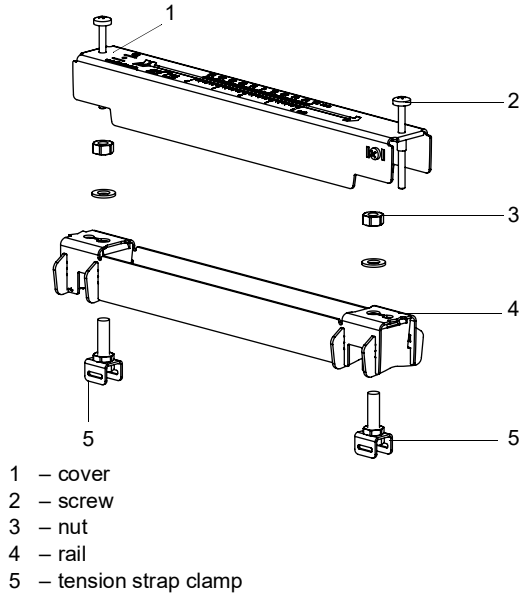
### Overview of mounting steps

- **step 1**  
disassembly of the transducer mounting fixture Variofix L
- **step 2**  
fixation of the clasps to the tension straps
- **step 3**  
fixation of the tension strap to the pipe
- **step 4**  
fixation of the rail to the pipe
- **step 5**  
installation of the transducers in the mounting fixture Variofix L

**Step 1: Disassembly of the transducer mounting fixture Variofix L**

- Disassemble the transducer mounting fixture Variofix L.

Fig. 7.12: Disassembly of the transducer mounting fixture Variofix L



**Step 2: Fixation of the clasps to the tension straps**

- Select the installation instruction of the supplied clasp:

***Band clamp clasp***

The clasp is fixed to the tension strap (see Fig. 7.13).

***Quick release clasp***

The clasp is fixed to the tension strap (see Fig. 7.14).

- Cut the tension strap to length (pipe circumference + at least 120 mm).

Fig. 7.13: Band clamp clasp with tension strap

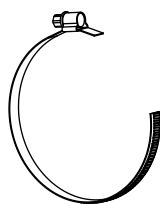
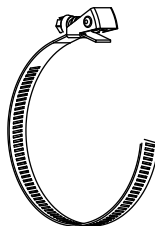


Fig. 7.14: Quick release clasp with tension strap



### Ratchet clasp

- Cut the tension strap to length (pipe circumference + at least 120 mm).

#### Caution!



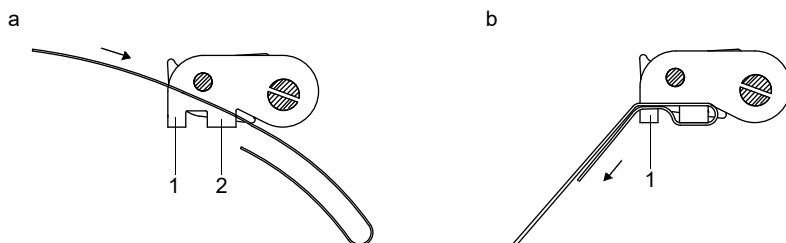
**The edge of the tension strap is very sharp.**

risk of injury

- Debur sharp edges.
- Wear the required personal protective equipment.
- Observe the applicable rules.

- Insert approx. 100 mm of the tension strap into part (1) and (2) of the ratchet clasp (see Fig. 7.15 a).
- Bend the tension strap.
- Insert the tension strap into part (1) of the ratchet clasp (see Fig. 7.15 b).
- Tighten the tension strap.
- Repeat the steps for the second tension strap.

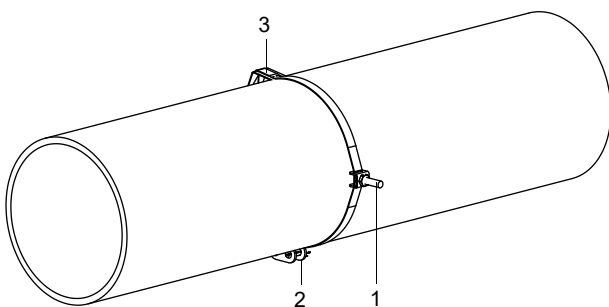
Fig. 7.15: Ratchet clasp with tension strap



### Step 3: Fixation of the tension strap to the pipe

One tension strap is fixed to the pipe. The second tension strap will be mounted later.

Fig. 7.16: Tension strap with clamp and metal spring on the pipe



- 1 – tension strap clamp
- 2 – clasp
- 3 – metal spring

Select the installation instruction of the supplied clasp:

#### Band clamp clasp

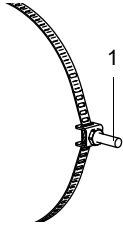
- Insert the tension strap into its clamp (see Fig. 7.17).
- Position the clasp and the tension strap clamp on the pipe (see Fig. 7.16). On a horizontal pipe, mount the tension strap clamp laterally to the pipe, if possible.
- Place the tension strap around the pipe and insert it into the clasp (see Fig. 7.19).
- Tighten the tension strap.
- Tighten the clasp screw.



**Quick release clasp**

- Insert the tension strap into its clamp and the metal spring (see Fig. 7.17 and Fig. 7.18).
- Position the clasp, the tension strap clamp and the metal spring on the pipe (see Fig. 7.16):
  - On a horizontal pipe, mount the tension strap clamp laterally to the pipe, if possible.
  - Mount the metal spring opposite the tension strap clamp.

Fig. 7.17: Tension strap with clamp



1 – tension strap clamp

Fig. 7.18: Tension strap with quick release clasp and metal spring

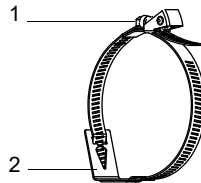
1 – clasp screw  
2 – metal spring

Fig. 7.19: Tension strap with band clamp clasp



1 – clasp screw

- Place the tension strap around the pipe and insert it into the clasp (see Fig. 7.18).
- Tighten the tension strap.
- Tighten the clasp screw.

**Ratchet clasp**

- Insert the tension strap into its clamp and the metal spring (see Fig. 7.20). The metal spring does not have to be mounted on:
  - steel pipes
  - pipes with an outer diameter < 80 mm
  - pipes that are not subjected to significant temperature fluctuations
- Position the ratchet clasp, tension strap clamp and metal spring (if necessary) on the pipe (see Fig. 7.16):
  - On a horizontal pipe, mount the tension strap clamp laterally to the pipe, if possible.
  - Mount the metal spring (if necessary) opposite the tension strap clamp.
- Place the tension strap around the pipe and pass it through the slot of the clasp screw (see Fig. 7.21).
- Tighten the tension strap.
- Cut off the protruding tension strap (see Fig. 7.21).

**Caution!****The edge of the tension strap is very sharp.**

risk of injury

- Debur sharp edges.
- Wear the required personal protective equipment.
- Observe the applicable rules.

- Tighten the clasp screw.

**Notice!**

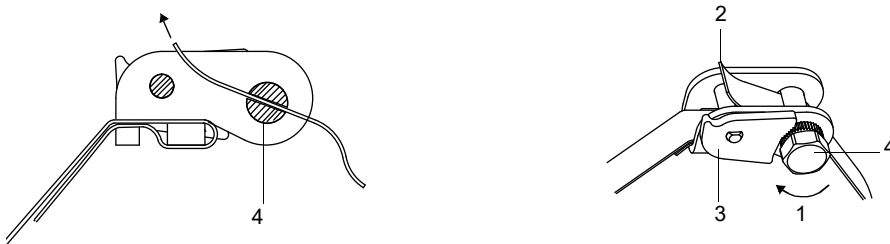
In order to release the screw and the tension strap, press the lever down (see Fig. 7.21).

Fig. 7.20: Tension strap with metal spring and clamp



- 1 – metal spring
- 2 – tension strap clamp

Fig. 7.21: Ratchet clasp with tension strap

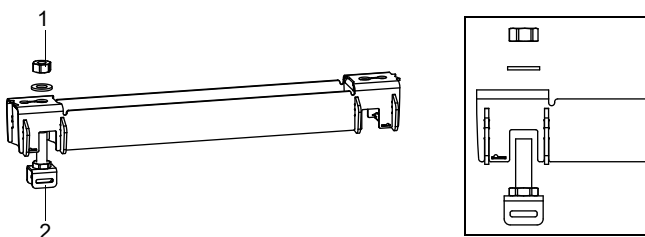


- 1 – sense of rotation
- 2 – edge
- 3 – lever
- 4 – clasp screw with slot

**Step 4: Fixation of the rail to the pipe**

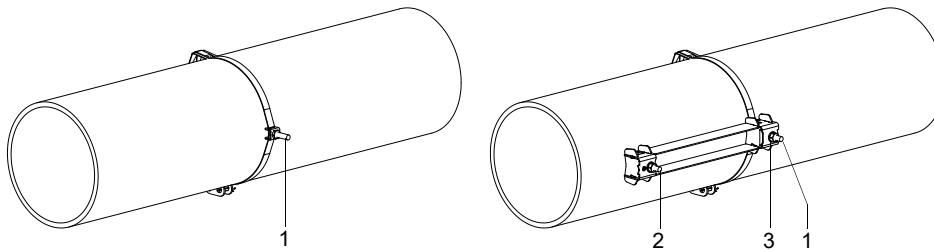
- Place the tension strap clamp (2) in the rail (see Fig. 7.22). Observe the orientation of the tension strap clamp.
- Slightly tighten the nut of the tension strap clamp (2).
- Screw the rail to tension strap clamp (1) (see Fig. 7.23).
- Tighten the nut of tension strap clamp (1), but not too firmly in order not to damage the tension strap.

Fig. 7.22: Rail with tension strap clamp



- 1 – nut
- 2 – tension strap clamp

Fig. 7.23: Rail, fixed on one side to the pipe



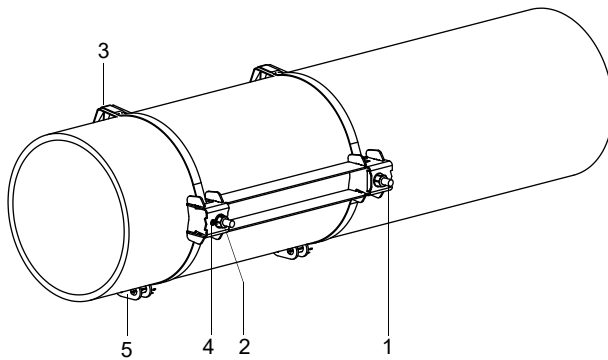
- 1 – tension strap clamp
- 2 – tension strap clamp
- 3 – nut

- Select the installation instruction of the supplied clasp:

**Band clamp clasp**

- Insert the tension strap into the tension strap clamp (2).
- Place the tension strap around the pipe and insert it into the clasp (see Fig. 7.24 and Fig. 7.25).
- Tighten the tension strap.
- Tighten the clasp screw.
- Tighten the nut of tension strap clamp (2), but not too firmly in order not to damage the tension strap.

Fig. 7.24: Rail on the pipe



- 1 – tension strap clamp
- 2 – tension strap clamp
- 3 – metal spring
- 4 – nut
- 5 – clasp

### Quick release clasp

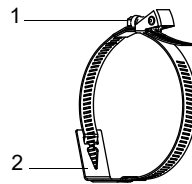
- Insert the tension strap into its clamp (2) and the metal spring.
- Place the tension strap around the pipe and insert it into the clasp (see Fig. 7.24 and Fig. 7.26).
- Position the metal spring opposite the tension strap clamp (2).
- Tighten the tension strap.
- Tighten the clasp screw.
- Tighten the nut of tension strap clamp (2), but not too firmly in order not to damage the tension strap.

Fig. 7.25: Tension strap with band clamp clasp



1 – clasp screw

Fig. 7.26: Tension strap with quick release clasp and metal spring



1 – clasp screw  
2 – metal spring

### Ratchet clasp

- Insert the tension strap into its clamp (2) and the metal spring (see Fig. 7.24 and Fig. 7.27). The metal spring does not have to be mounted on:
  - steel pipes
  - pipes with an outer diameter < 80 mm
  - pipes that are not subjected to significant temperature fluctuations
- Position the ratchet clasp, tension strap clamp (2) and metal spring (if necessary) on the pipe.
- Mount the metal spring opposite the tension strap clamp.
- Place the tension strap around the pipe and pass it through the slot of the clasp screw (see Fig. 7.28).
- Tighten the tension strap.
- Cut off the protruding tension strap (see Fig. 7.28).

#### Caution!



#### The edge of the tension strap is very sharp.

risk of injury

- Debur sharp edges.
- Wear the required personal protective equipment.
- Observe the applicable rules.

- Tighten the clasp screw.
- Tighten the nut of the tension strap clamp (2), but not too firmly in order not to damage the tension strap (see Fig. 7.24).

#### Notice!

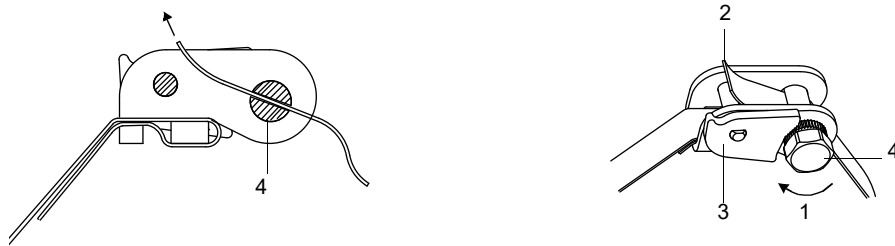
In order to release the screw and the tension strap, press the lever down (see Fig. 7.21).

Fig. 7.27: Tension strap with metal spring and clamp



- 1 – metal spring
- 2 – tension strap clamp

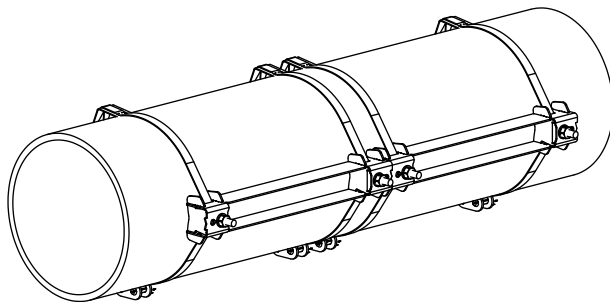
Fig. 7.28: Ratchet clasp with tension strap



- 1 – sense of rotation
- 2 – edge
- 3 – lever
- 4 – clasp screw with slot

• Repeat the steps to fix the second rail, see Fig. 7.29.

Fig. 7.29: Pipe with 2 rails



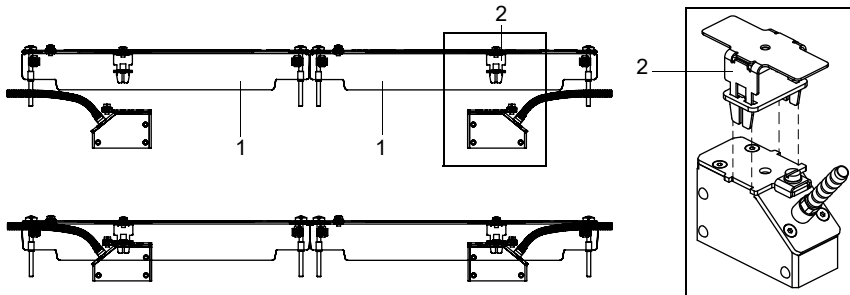
**Step 5: Installation of the transducers in the mounting fixture Variofix L**

- Press the transducers firmly into their clamping fixtures in the covers until they are tightly fixed. The transducer cables show in opposite directions (see Fig. 7.30).

**Notice!**

The arrows on the transducers and the covers have to point in the same direction.

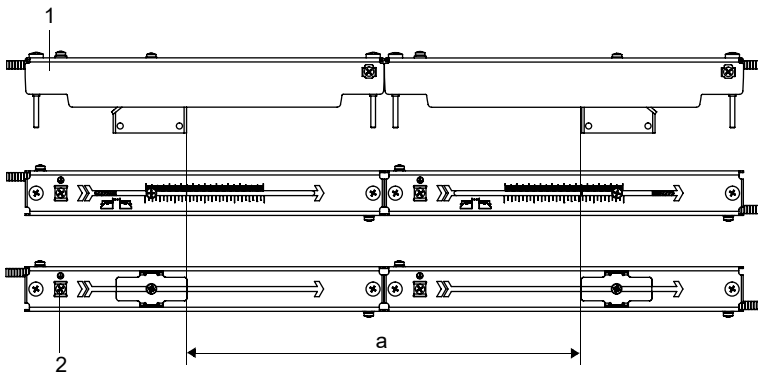
Fig. 7.30: Installation of the transducers in the covers



- 1 – cover
- 2 – transducer clamping fixture

- Adjust the transducer distance displayed by the transmitter (see Fig. 7.31).

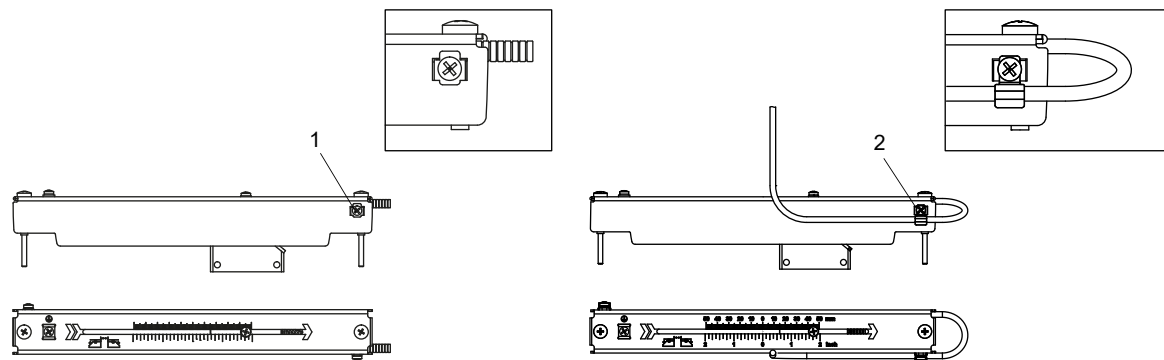
Fig. 7.31: Adjustment of the transducer distance



- 1 – cover
- 2 – equipotential bonding terminal
- a – transducer distance

- Fix the transducer cables with the strain relief clamp to protect them from mechanical strain. Transducer cables with stainless steel conduit are fixed inside the housing, transducer cables with plastic conduit are fixed to the outside of the housing, see Fig. 7.32.
- Put coupling foil (or apply some coupling compound for a short-term installation) on the contact surface of the transducers. The coupling foil can be fixed to the contact surface with some coupling compound.
- Put the covers with the transducers on the rails.
- Correct the transducer distance, if necessary.

Fig. 7.32: Fixing the transducer cables



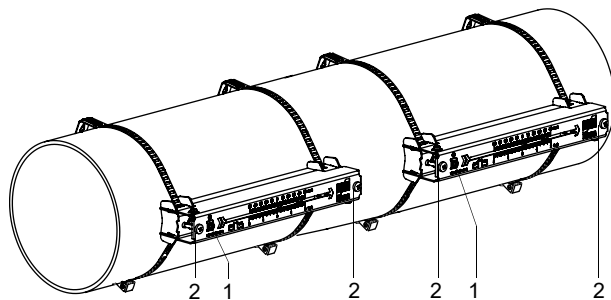
- 1 – strain relief clamp for transducer cable with stainless steel conduit
- 2 – strain relief clamp for transducer cable with plastic conduit

**Notice!**

Make sure that the coupling foil remains on the contact surface of the transducers. For information concerning the coupling foil, see the safety data sheet.

- Tighten the cover screws, see Fig. 7.33.

Fig. 7.33: Variofix L with transducers on the pipe

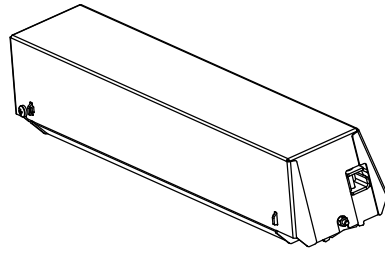


- 1 – equipotential bonding terminal
- 2 – cover screws

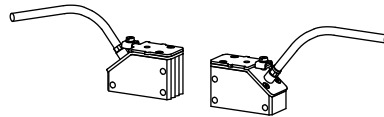
### 7.2.2.5 Mounting with Variofix C

#### Scope of delivery (example)

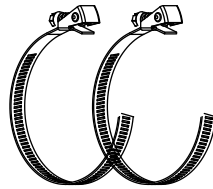
Variofix C



transducer pair

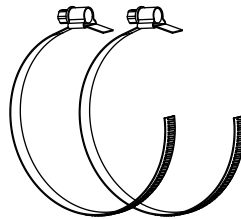


quick release clasp with tension strap



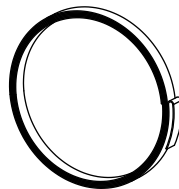
or

band clamp clasp with tension strap



or

tension strap coil



ratchet clasp





## Mounting

When measuring in reflection arrangement, 1 transducer mounting fixture is mounted laterally on the pipe.

When measuring in diagonal arrangement, 2 transducer mounting fixtures are mounted on opposite sides of the pipe.

In the following, the installation of 1 transducer mounting fixture in reflection arrangement is described.

Fig. 7.34: Transducer mounting fixture Variofix C (reflection arrangement)

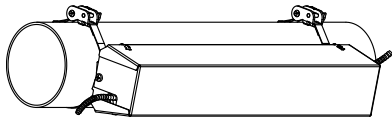
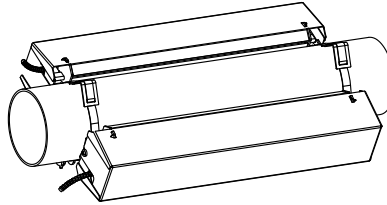


Fig. 7.35: Transducer mounting fixture Variofix C (diagonal arrangement)



## Overview of the mounting steps

- **step 1**  
disassembly of the transducer mounting fixture Variofix C
- **step 2**  
fixation of the clasps to the tension straps
- **step 3**  
fixation of the tension strap to the pipe
- **step 4**  
fixation of the rail to the pipe
- **step 5**  
installation of the transducers in the transducer mounting fixture Variofix C

### Step 1: Disassembly of the transducer mounting fixture Variofix C

- Disassemble the transducer mounting fixture Variofix C.

In order to remove the cover from the rail, bend the outer sides of the cover outwards.

In order to remove the spring clip from the rail, slide it over the indentations on the rail and lift it off.

Fig. 7.36: Removal of the cover

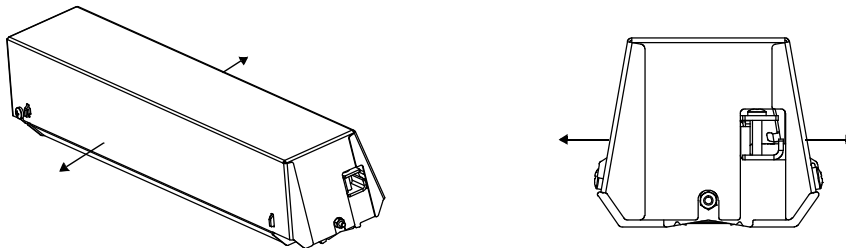
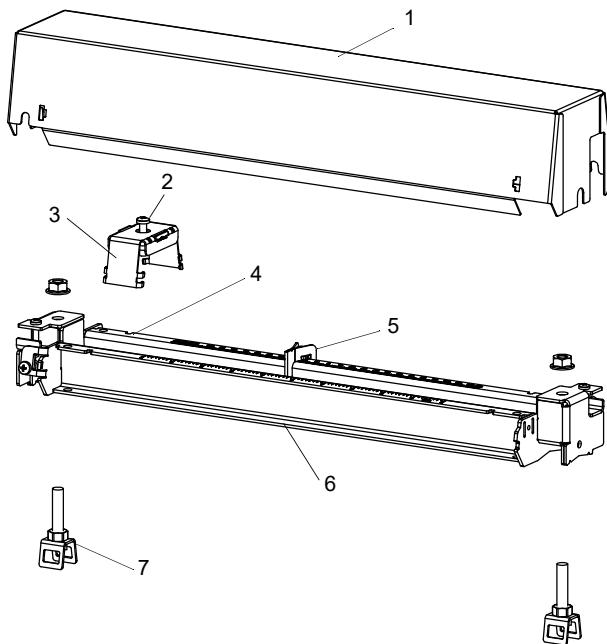


Fig. 7.37: Disassembly of the transducer mounting fixture Variofix C



- 1 – cover
- 2 – tensioning screw
- 3 – spring clip
- 4 – indentation
- 5 – spacing element
- 6 – rail
- 7 – tension strap clamp

**Step 2: Fixation of the clasps to the tension straps**

- Select the installation instruction of the supplied clasp:

**Band clamp clasp**

The clasp is fixed to the tension strap (see Fig. 7.38).

**Quick release clasp**

The clasp is fixed to the tension strap (see Fig. 7.39).

- Cut the tension strap to length (pipe circumference + at least 120 mm).

Fig. 7.38: Band clamp clasp with tension strap

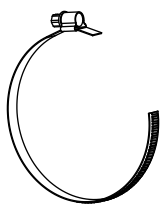
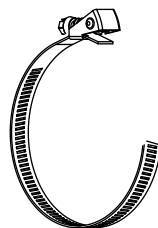


Fig. 7.39: Quick release clasp with tension strap



**Ratchet clasp**

- Cut the tension strap to length (pipe circumference + at least 120 mm).

**Caution!**

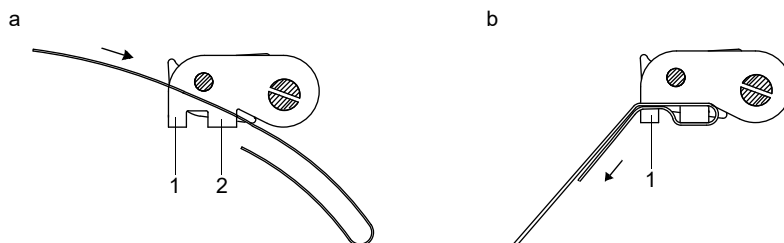
**The edge of the tension strap is very sharp.**

risk of injury

- Debur sharp edges.
- Wear the required personal protective equipment.
- Observe the applicable rules.

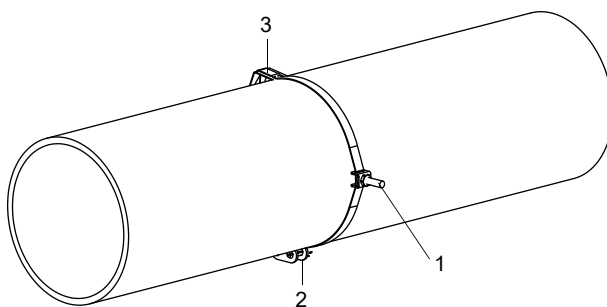
- Insert approx. 100 mm of the tension strap into part (1) and (2) of the ratchet clasp (see Fig. 7.40 a).
- Bend the tension strap.
- Insert the tension strap into part (1) of the ratchet clasp (see Fig. 7.40 b).
- Tighten the tension strap.
- Repeat the steps for the second tension strap.

Fig. 7.40: Ratchet clasp with tension strap

**Step 3: Fixation of the tension strap to the pipe**

One tension strap is fixed to the pipe. The second tension strap will be mounted later.

Fig. 7.41: Tension strap with clamp and metal spring on the pipe



- 1 – tension strap clamp
- 2 – clasp
- 3 – metal spring

Select the installation instruction of the supplied clasp:

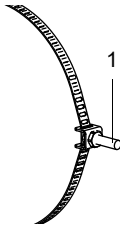
**Band clamp clasp**

- Insert the tension strap into its clamp (see Fig. 7.42).
- Position the clasp and the tension strap clamp on the pipe (see Fig. 7.41). On a horizontal pipe, mount the tension strap clamp laterally to the pipe, if possible.
- Place the tension strap around the pipe and insert it into the clasp (see Fig. 7.44).
- Tighten the tension strap.
- Tighten the clasp screw.

### Quick release clasp

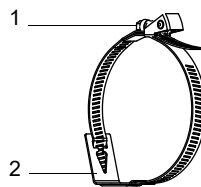
- Insert the tension strap into its clamp and the metal spring (see Fig. 7.42 and Fig. 7.43).
- Position the clasp, the tension strap clamp and the metal spring on the pipe (see Fig. 7.41):
  - On a horizontal pipe, mount the tension strap clamp laterally to the pipe, if possible.
  - Mount the metal spring opposite the tension strap clamp.

Fig. 7.42: Tension strap with clamp



1 – tension strap clamp

Fig. 7.43: Tension strap with quick release clasp and metal spring



1 – clasp screw  
2 – metal spring

Fig. 7.44: Tension strap with band clamp clasp



1 – clasp screw

- Place the tension strap around the pipe and insert it into the clasp (see Fig. 7.43).
- Tighten the tension strap.
- Tighten the clasp screw.

### Ratchet clasp

- Insert the tension strap into its clamp and the metal spring (see Fig. 7.45). The metal spring does not have to be mounted on:
  - steel pipes
  - pipes with an outer diameter < 80 mm
  - pipes that are not subjected to significant temperature fluctuations
- Position the ratchet clasp, tension strap clamp and metal spring (if necessary) on the pipe (see Fig. 7.41):
  - On a horizontal pipe, mount the tension strap clamp laterally to the pipe, if possible.
  - Mount the metal spring (if necessary) opposite the tension strap clamp.
- Place the tension strap around the pipe and pass it through the slot of the clasp screw (see Fig. 7.46).
- Tighten the tension strap.
- Cut off the protruding tension strap (see Fig. 7.46).

#### Caution!



**The edge of the tension strap is very sharp.**

risk of injury

- Debur sharp edges.
- Wear the required personal protective equipment.
- Observe the applicable rules.

- Tighten the clasp screw.

**Notice!**

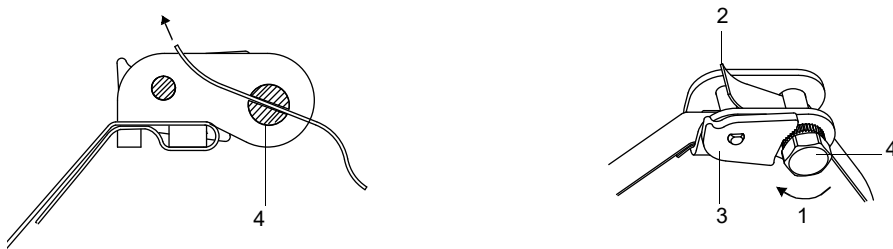
In order to release the screw and the tension strap, press the lever down (see Fig. 7.46).

Fig. 7.45: Tension strap with metal spring and clamp



- 1 – metal spring
- 2 – tension strap clamp

Fig. 7.46: Ratchet clasp with tension strap

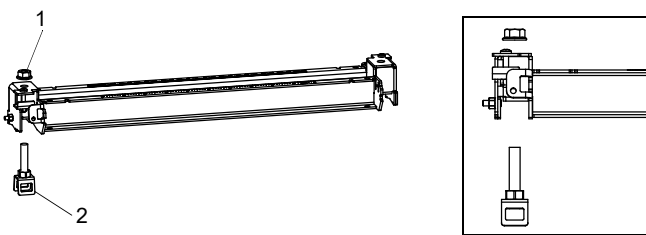


- 1 – sense of rotation
- 2 – edge
- 3 – lever
- 4 – clasp screw with slot

**Step 4: Fixation of the rail to the pipe**

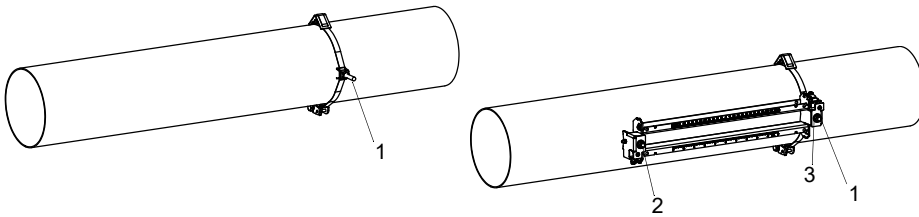
- Place the tension strap clamp (2) in the rail (see Fig. 7.47). Observe the orientation of the tension strap clamp.
- Slightly tighten the nut of the tension strap clamp (2).
- Screw the rail to tension strap clamp (1) (see Fig. 7.48).
- Tighten the nut of tension strap clamp (1), but not too firmly in order not to damage the tension strap.

Fig. 7.47: Rail with tension strap clamp



- 1 – nut
- 2 – tension strap clamp

Fig. 7.48: Rail, fixed on one side to the pipe



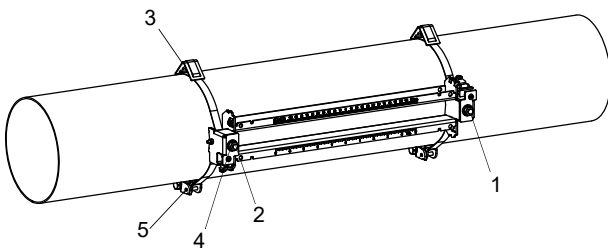
- 1 – tension strap clamp
- 2 – tension strap clamp
- 3 – nut

• Select the installation instruction of the supplied clasp:

**Band clamp clasp**

- Insert the tension strap into the tension strap clamp (2).
- Place the tension strap around the pipe and insert it into the clasp (see Fig. 7.49 and Fig. 7.50).
- Tighten the tension strap.
- Tighten the clasp screw.
- Tighten the nut of tension strap clamp (2), but not too firmly in order not to damage the tension strap. The rail has to be firmly fixed to the pipe.

Fig. 7.49: Rail on the pipe



- 1 – tension strap clamp
- 2 – tension strap clamp
- 3 – metal spring
- 4 – nut
- 5 – clasp

**Quick release clasp**

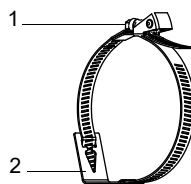
- Insert the tension strap into its clamp (2) and the metal spring.
- Place the tension strap around the pipe and insert it into the clasp (see Fig. 7.49 and Fig. 7.51).
- Position the metal spring opposite the tension strap clamp (2).
- Tighten the tension strap.
- Tighten the clasp screw.
- Tighten the nut of tension strap clamp (2), but not too firmly in order not to damage the tension strap.

Fig. 7.50: Tension strap with band clamp clasp



- 1 – clasp screw


Fig. 7.51: Tension strap with quick release clasp and metal spring



- 1 – clasp screw
- 2 – metal spring

**Ratchet clasp**

- Insert the tension strap into its clamp (2) and the metal spring (see Fig. 7.49 and Fig. 7.52). The metal spring does not have to be mounted on:
  - steel pipes
  - pipes with an outer diameter < 80 mm
  - pipes that are not subjected to significant temperature fluctuations
- Position the ratchet clasp, tension strap clamp (2) and metal spring (if necessary) on the pipe.
- Mount the metal spring opposite the tension strap clamp.
- Place the tension strap around the pipe and pass it through the slot of the clasp screw (see Fig. 7.53).
- Tighten the tension strap.
- Cut off the protruding tension strap (see Fig. 7.53).

<b>Caution!</b>	
	<p><b>The edge of the tension strap is very sharp.</b> risk of injury</p> <ul style="list-style-type: none"> <li>→ Debur sharp edges.</li> <li>→ Wear the required personal protective equipment.</li> <li>→ Observe the applicable rules.</li> </ul>

- Tighten the clasp screw.
- Tighten the nut of the tension strap clamp (2), but not too firmly in order not to damage the tension strap (see Fig. 7.49).

<b>Notice!</b>	
<p>In order to release the screw and the tension strap, press the lever down (see Fig. 7.53).</p>	

Fig. 7.52: Tension strap with metal spring and clamp

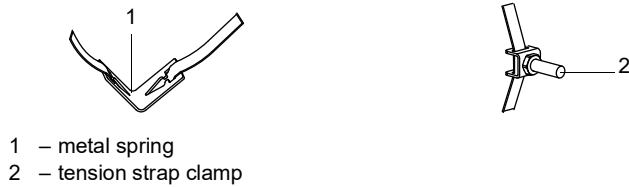
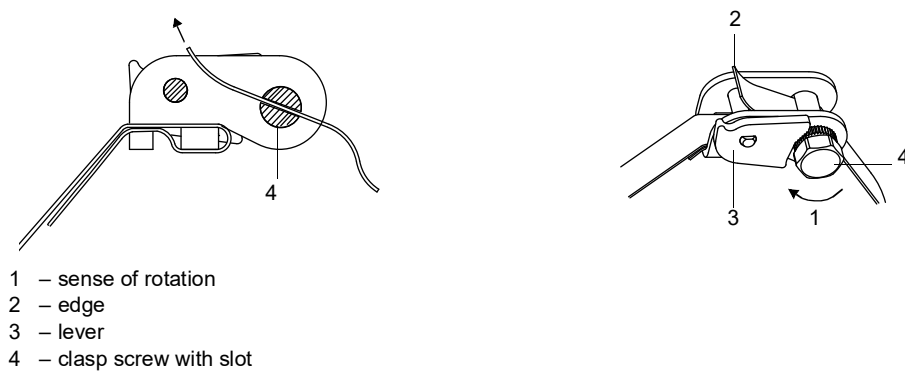


Fig. 7.53: Ratchet clasp with tension strap



### Step 5: Installation of the transducers in the mounting fixture Variofix C

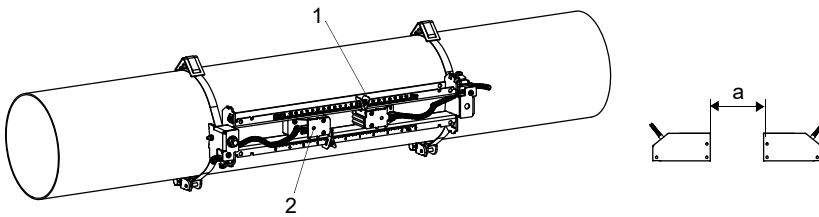
- Put coupling foil (or apply some coupling compound for a short-term installation) on the contact surface of the transducers. The coupling foil can be fixed to the contact surface with a small amount of coupling compound.

#### Notice!

If the signal is not sufficient for the measurement, use coupling compound instead of coupling foil. For information concerning the coupling foil or coupling compound, see the safety data sheet.

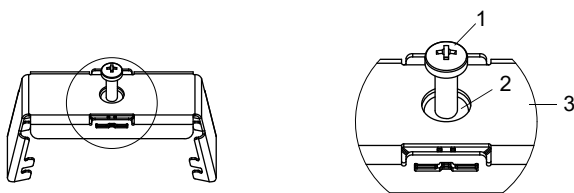
- Position the transducers on the rail in such a way that the engravings on them form an arrow. The transducer cables show in opposite directions (see Fig. 7.54).
- Adjust the transducer distance displayed by the transmitter (see Fig. 7.54).
- Slide the spring clips on the transducers (see Fig. 7.56).
- Fix the transducers by slightly tightening the tensioning screws. The end of each tensioning screw has to be placed above the hole in the respective transducer (see Fig. 7.54 and Fig. 7.56).
- Correct the transducer distance, if necessary.
- Tighten the tensioning screws until the collar of the rivet nut is flush with the mounting bracket, see Fig. 7.55.
- Fix the spacing elements on the rail to mark the transducer position (see Fig. 7.54).
- Use the cable fixture to fix the transducer cables in order to protect them from mechanical strain (see Fig. 7.56).
- Put the cover on the rail (see Fig. 7.57).
- Tighten the screws (2) on both sides of the cover (see Fig. 7.57).

Fig. 7.54: Transducers in the rail (spring clip not shown)



- 1 – spacing element
- 2 – hole
- a – transducer distance

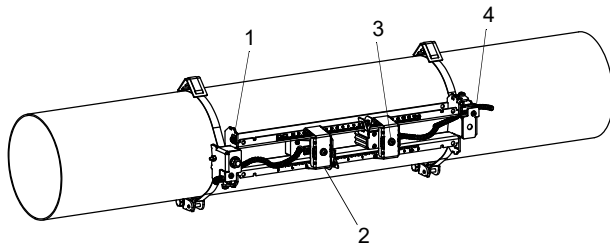
Fig. 7.55: Spring clip



- 1 – tensioning screw
- 1 – rivet nut
- 2 – mounting bracket

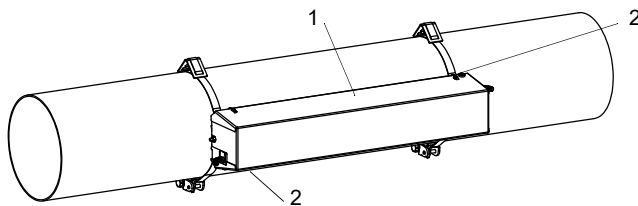


Fig. 7.56: Transducers in rail



- 1 – equipotential bonding terminal
- 2 – spring clip
- 3 – tensioning screw
- 4 – cable fixture

Fig. 7.57: Variofix C with transducers on the pipe

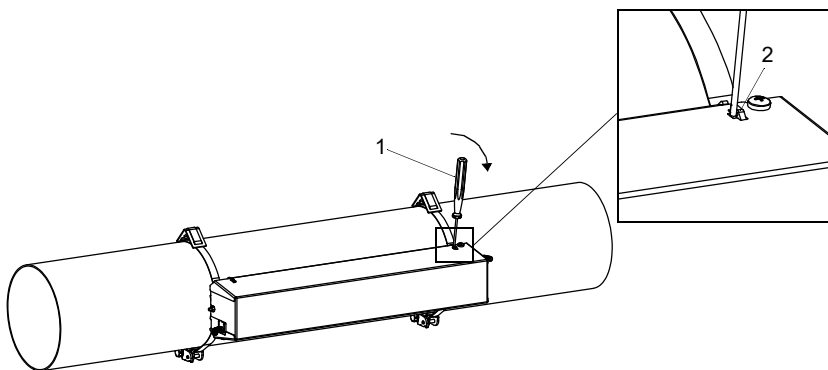


- 1 – cover
- 2 – screw

Remove the cover from the mounted transducer mounting fixture Variofix C as follows:

- Loosen the screws (see Fig. 7.57).
- Use a lever tool to remove the cover.
- Insert the lever tool (max. 3 mm) in one of the 4 openings of the cover (see Fig. 7.58).
- Press the lever tool against the fixture.
- Bend the cover outwards and release it from the anchoring.
- Repeat the steps for the other 3 openings.
- Remove the cover from the rail.

Fig. 7.58: Cover removal



- 1 – lever tool
- 2 – support

**7.2.2.6 Mounting with PermaFix**

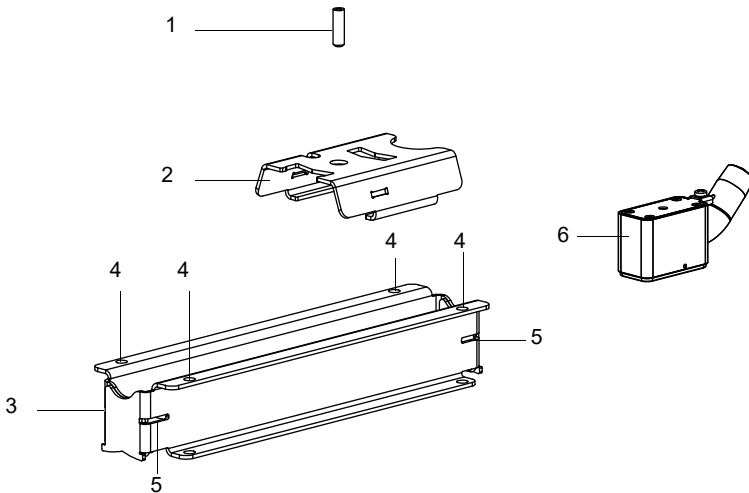
In explosive atmospheres of FM Class I Div. 1, the transducer mounting fixture PermaFix has to be used.

When measuring in reflection arrangement, the transducers are installed on the same side of the pipe. If the transducer distance is small, both transducers are mounted into one rail. If the transducer distance is large, it can be necessary to mount 2 transducer mounting fixtures (one for each transducer).

When measuring in diagonal arrangement, the transducers are installed on opposite sides of the pipe.

The transducer mounting fixture PermaFix can be installed on the pipe using bolts or tension straps. Select the corresponding installation instruction. It is recommended to fix the PermaFix on pipes with a diameter of max. 40 mm using bolts, and on larger pipes using tension straps.

Fig. 7.59: Dismounting of PermaFix

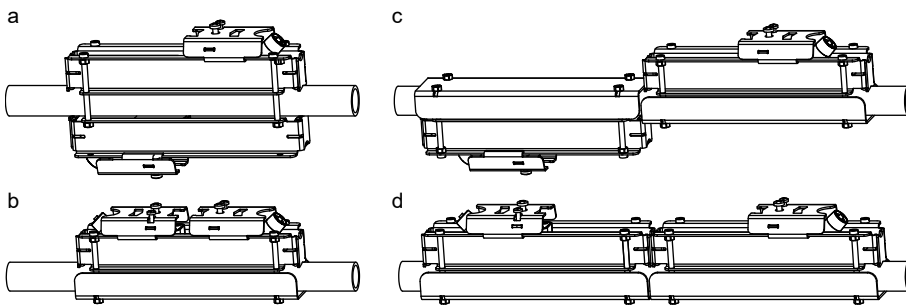


- 1 – tensioning screw
- 2 – cover
- 3 – rail
- 4 – holes for the bolts
- 5 – slots for the tension straps
- 6 – transducer

**Installation of the rail with bolts**

The number and arrangement of PermaFix rails depend on the required transducer arrangement and transducer distance.

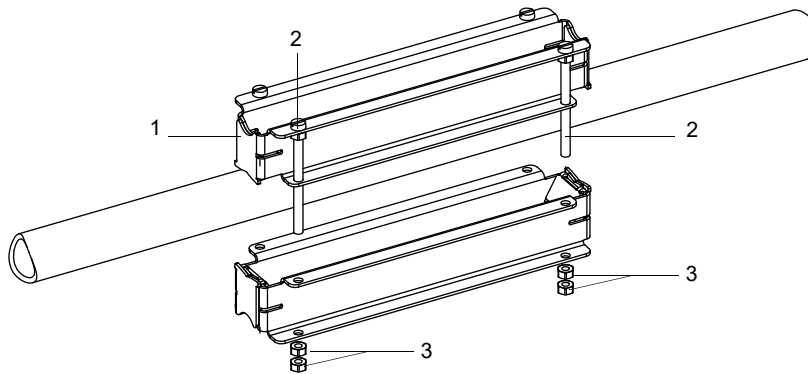
Fig. 7.60: Possible PermaFix arrangements (installation with bolts)



- a – diagonal arrangement, small transducer distance
- b – reflection arrangement, small transducer distance
- c – diagonal arrangement, large transducer distance
- d – reflection arrangement, large transducer distance

- Select the arrangement according to the measurement.
- Disassemble the transducer mounting fixture PermaFix.
- Place one rail on the pipe.
- Insert the bolts (M6) into the holes of the rail and secure them with nuts.
- Slide the second rail (arrangement a) or the counter plate (arrangements b, c, d) onto the bolts on the opposite side of the pipe and secure it with nuts.
- Make sure not to deform the rails when tightening the nuts.
- Repeat the steps for the second rail, if necessary.

Fig. 7.61: Installation of the rail with bolts (diagonal arrangement, small transducer distance)

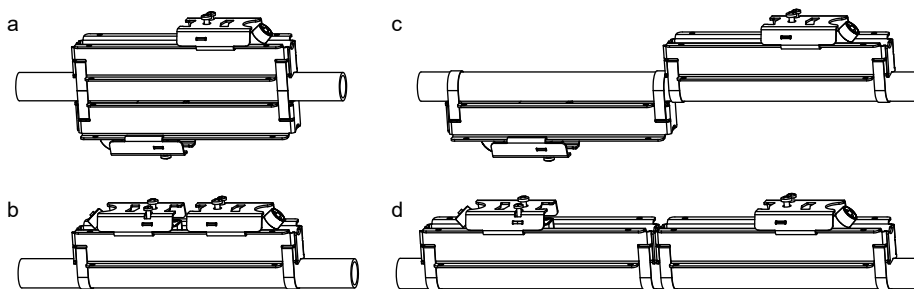


- 1 – rail
- 2 – bolt
- 3 – nut

**Installation of the rail with tension straps**

The number and arrangement of PermaFix rails depend on the required transducer arrangement and transducer distance.

Fig. 7.62: Possible PermaFix arrangements (installation with tension straps)



- a – diagonal arrangement, small transducer distance
- b – reflection arrangement, small transducer distance
- c – diagonal arrangement, large transducer distance
- d – reflection arrangement, large transducer distance

- Select the arrangement according to the measurement.
- Disassemble the transducer mounting fixture PermaFix.
- Cut the tension strap to length (pipe circumference + at least 120 mm).

**Caution!**



**The edge of the tension strap is very sharp.**

Risk of injury.

- Debur sharp edges.
- Wear the required personal protective equipment.
- Observe the applicable rules.

- Insert approx. 100 mm of the tension strap into part (1) and (2) of the clasp (see Fig. 7.63 a).
- Bend the tension strap.
- Insert the tension strap into part (1) of the ratchet clasp (see Fig. 7.63 b).
- Tighten the tension strap.
- Insert the tension strap into the slots of one rail (arrangements b, c, d) or both rails (arrangement a) (see Fig. 7.65).
- Place the rail (arrangement b, c, d) or both rails (arrangement a) on the pipe and place the tension strap around the pipe.
- Insert the loosen end of the tension strap into the slot of the clasp screw (see Fig. 7.64).
- Tighten the tension strap.
- Cut off the protruding tension strap (see Fig. 7.63).
- Tighten the screw of the ratchet clasp.
- Repeat the steps for the second tension strap.
- Repeat the steps for the second rail, if necessary.

Fig. 7.63: Ratchet clasp with tension strap

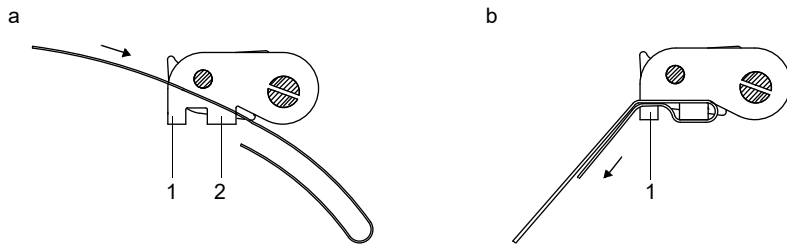
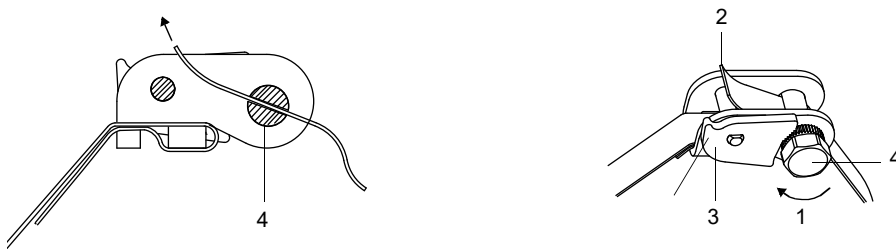
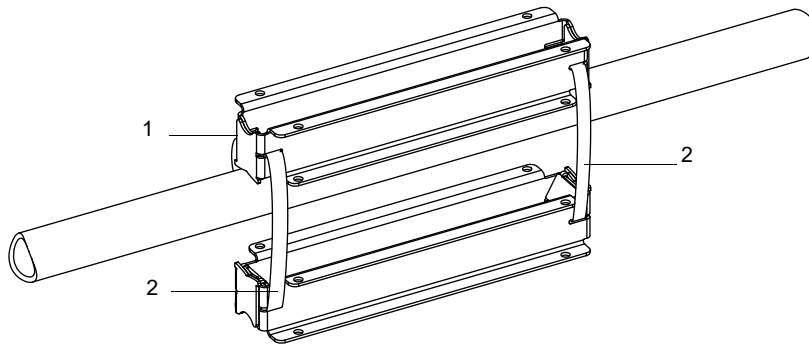


Fig. 7.64: Ratchet clasp with tension strap



- 1 – sense of rotation
- 2 – edge
- 3 – lever
- 4 – clasp screw with slot

Fig. 7.65: Installation of the rail with tension straps (diagonal arrangement, small transducer distance)



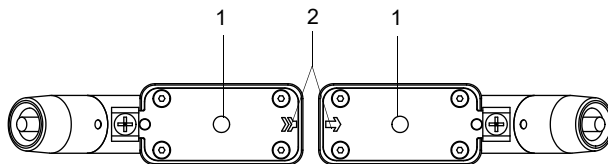
- 1 – rail
- 2 – tension strap

**Installation of the transducers**

Mount the transducers into the rail in such a way that the engravings on them form an arrow. The transducer cables show in opposite directions.

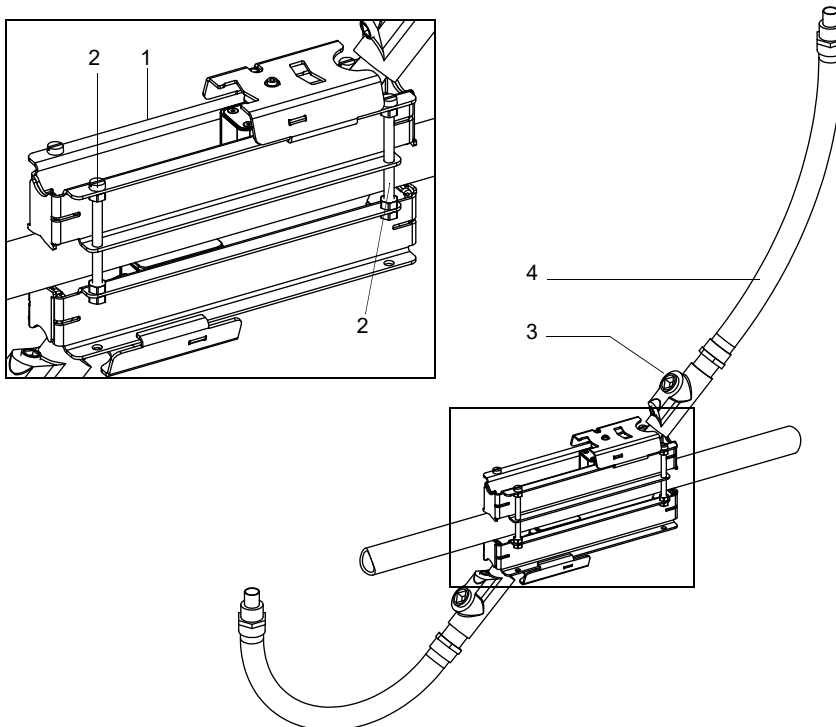
- Insert the transducer with the cable conduit fitting into the rail.
- Observe that there must be no air pockets between the transducer contact surface and the pipe wall.
- Slide the cover over the rail. The round cutout of the cover faces the cable conduit fitting.
- Align the transducer with the cover in such a way that the hole in the transducer is placed below the tensioning screw. Tighten the tensioning screw of the cover to press the transducer against the pipe.
- Screw the cable conduit (approved for FM Class I Div. 1) to the corresponding fitting of the transducer.
- Repeat the steps for the second transducer.
- Connect the cable conduit to the cable routing system of the facility in accordance with the local regulations.

Fig. 7.66: Correct positioning of the transducers



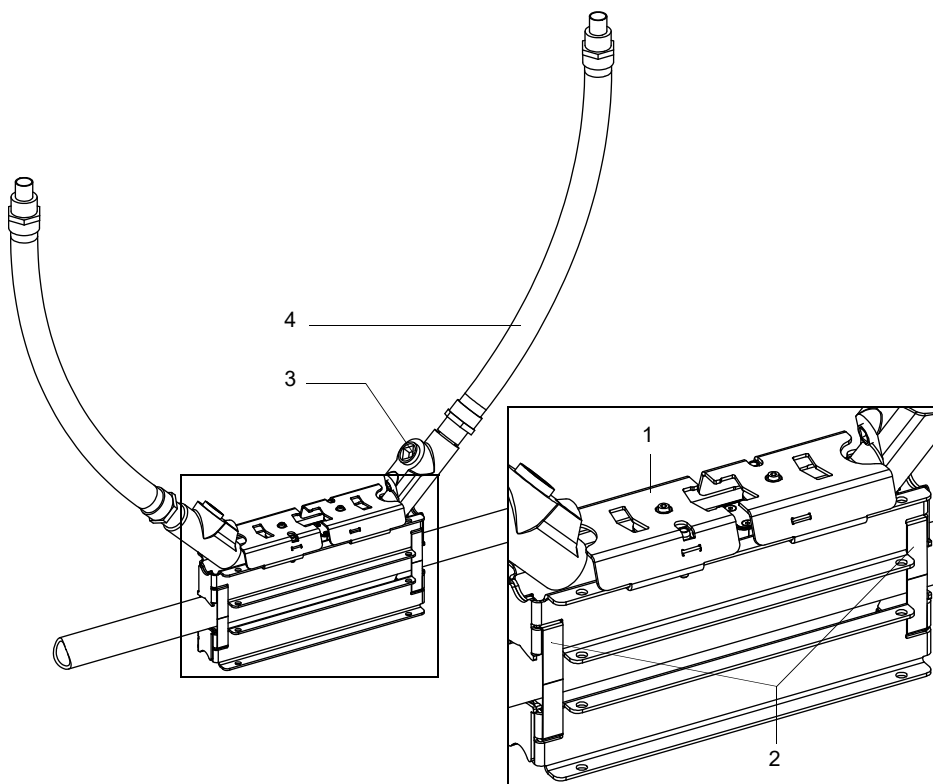
- 1 – holes for the bolts
- 2 – engravings

Fig. 7.67: PermaFix on the pipe (example: diagonal arrangement with bolts)



- 1 – PermaFix
- 2 – bolt
- 3 – cable conduit fitting
- 4 – cable conduit (approved for FM Class I Div. 1)

Fig. 7.68: PermaFix on the pipe (example: reflection arrangement with tension straps)



- 1 – PermaFix
- 2 – tension strap
- 3 – cable conduit fitting
- 4 – cable conduit (approved for FM Class I Div. 1)

## 7.3 Temperature probe

### 7.3.1 Pipe preparation

#### Caution!



#### Contact with grinding dust

This may result in injuries (e.g., breathing difficulties, skin reactions, eye irritations).

- Wear the required personal protective equipment.
- Observe the applicable rules.

#### Important!

The pipe has to be sufficiently stable to withstand the pressure exerted by the temperature probe.

Rust, paint or deposits on the pipe thermally insulate the measuring point. A good thermal contact between the pipe and the temperature probe is obtained as follows:

- Clean the pipe at the selected measuring point.
  - Remove any insulation material, rust or loose paint.
  - If present, the paint layer has to be smoothed by grinding. The paint does not need to be removed completely.
- Use coupling foil or apply a layer of thermal conductivity paste or coupling compound on the contact surface of the temperature probe. Observe the specific ambient temperature.
- Observe that there must be no air pockets between the contact surface of the temperature probe and the pipe wall.

### 7.3.2 Installation of the temperature probe (response time 50 s)

#### Notice!

The temperature probe has to be thermally insulated.

Select the installation instruction of the supplied clasp:

#### 7.3.2.1 Installation with clasp

#### Caution!



#### The edge of the tension strap is very sharp.

Risk of injury!

- Debur sharp edges.
- Wear the required personal protective equipment.
- Observe the applicable rules.

- Cut the tension strap to length (pipe circumference + at least 120 mm).
- Make sure that part (2) of the clasp is on top of part (1) (see Fig. 7.69 a). The hooks of part (2) have to be on the outer side of the clasp.
- Pull approx. 20 mm of the tension strap through the slot of the clasp to fix the clasp to the tension strap (see Fig. 7.69 b).
- Bend the end of the tension strap.
- Position the temperature probe on the pipe (see Fig. 7.70).
- Place the tension strap around the temperature probe and the pipe.
- Push the tension strap through part (2) and (1) of the clasp.
- Tighten the tension strap and engage it in the inner hook of the clasp.
- Tighten the screw of the clasp.

Fig. 7.69: Clasp

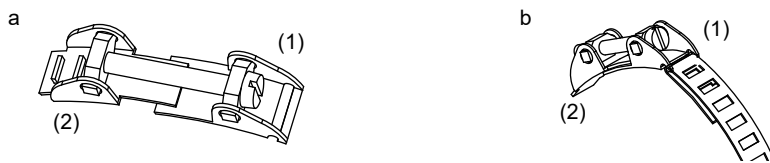
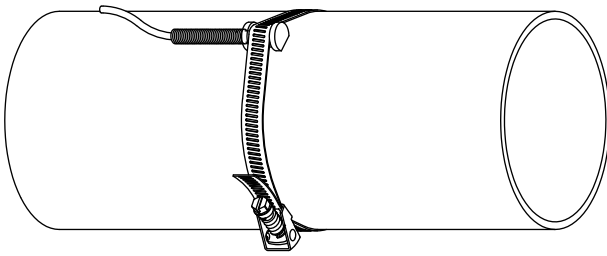


Fig. 7.70: Temperature probe on the pipe



### 7.3.2.2 Installation with FLEXIM clasp

#### Caution!



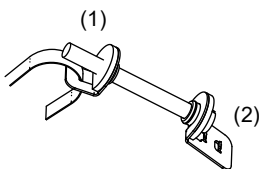
**The edge of the tension strap is very sharp.**

Risk of injury!

- Debur sharp edges.
- Wear the required personal protective equipment.
- Observe the applicable rules.

- Cut the tension strap to length (pipe circumference + at least 120 mm).
- Insert approx. 20 mm of the tension strap into the slot of the clasp.
- Bend the end of the tension strap.
- Position the temperature probe on the pipe (see Fig. 7.70).
- Place the tension strap around the temperature probe and the pipe.
- Push the tension strap through part (2) and (1) of the clasp.
- Tighten the tension strap and engage it in the inner hook of the clasp.
- Tighten the screw of the clasp.

Fig. 7.71: FLEXIM clasp





### 7.3.2.3 Installation with quick release clasp

#### Caution!



**The edge of the tension strap is very sharp.**

Risk of injury!

- Debur sharp edges.
- Wear the required personal protective equipment.
- Observe the applicable rules.

- Cut the tension strap to length (pipe circumference + at least 120 mm).
- Position the temperature probe on the pipe (see Fig. 7.70).
- Place the tension strap around the temperature probe and the pipe.
- Insert the tension strap into the clasp.
- Tighten the tension strap.
- Tighten the screw of the clasp.

Fig. 7.72: Quick release clasp



## 8 Connection

### Danger!

**Risk of explosion when using the measuring equipment in explosive atmospheres**

This may result in personal or material damage or dangerous situations.

→ Observe the "Safety instructions for the use in explosive atmospheres".

### Warning!

**Installation, connection and start-up by unauthorized and unqualified personnel**

This may result in personal or material damage or dangerous situations.

→ Any work on the transmitter has to be carried out by authorized and qualified personnel.

### Warning!

**Touching live parts**

Electric shock or arc faults can lead to severe injuries. The measuring equipment can be damaged.

→ Prior to any work on the transmitter (e.g., installation, dismantling, connection, start-up), the transmitter has to be disconnected from the power supply.

### Caution!

**Safety and accident prevention regulations for electrical systems and equipment**

Failure to observe these regulations may lead to severe injuries.

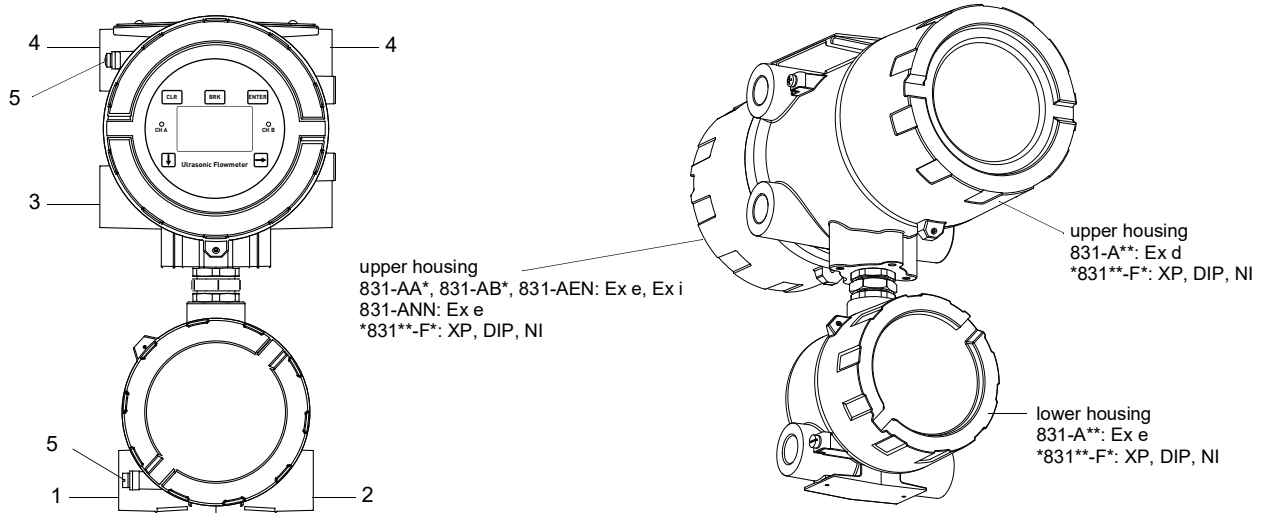
→ Observe the safety and accident prevention regulations for electrical systems and equipment.

### Transmitter with aluminum housing

The transmitter has 2 housing. The terminals for the connection of the transducers are in the lower housing, the terminals for the connection of the outputs and of the power supply on the rear side of the upper housing.

**Important!**  
Do not open the housings using objects which may damage the thread or housing gasket.

Fig. 8.1: Connections of the transmitter



- 1 – transducers (measuring channel A)
- 2 – transducers (measuring channel B)
- 3 – power supply
- 4 – inputs/outputs
- 5 – equipotential bonding terminal

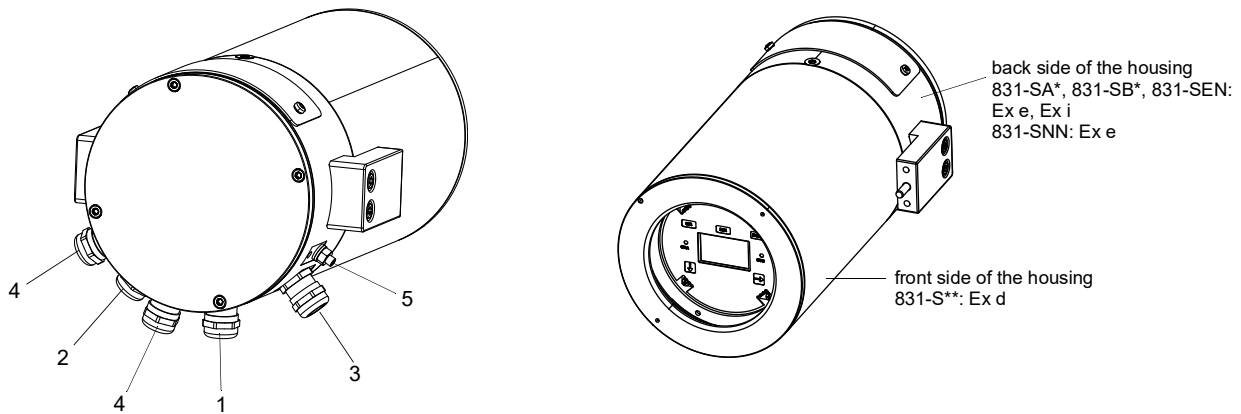
### Transmitter with stainless steel housing

The transmitter has 1 housing. The terminals for the connection of transducers, outputs and power supply are on the rear side of the housing.

#### Important!

Do not open the housings using objects which may damage the thread or housing gasket.

Fig. 8.2: Connections of the transmitter



- 1 – transducers (measuring channel A)
- 2 – transducers (measuring channel B)
- 3 – power supply
- 4 – inputs/outputs
- 5 – equipotential bonding terminal

### 8.1 Transducers (ATEX, IECEx)

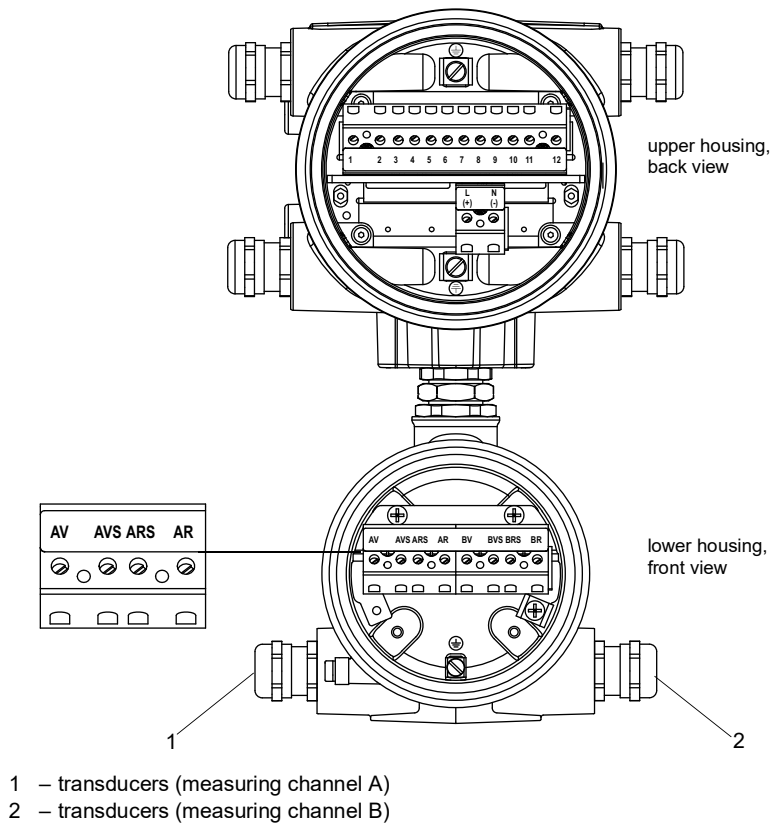
The transmitter has 2 cable glands for the connection of the transducers. If the transmitter has only one measuring channel, one of the openings is closed with a blind plug.

It is recommended to run the cables from the measuring point to the transmitter before connecting the transducers to avoid load on the connectors.

**Notice!**  
If transducers are replaced or added, the SENSPROM has to be replaced or added as well.

#### Transmitter with aluminum housing

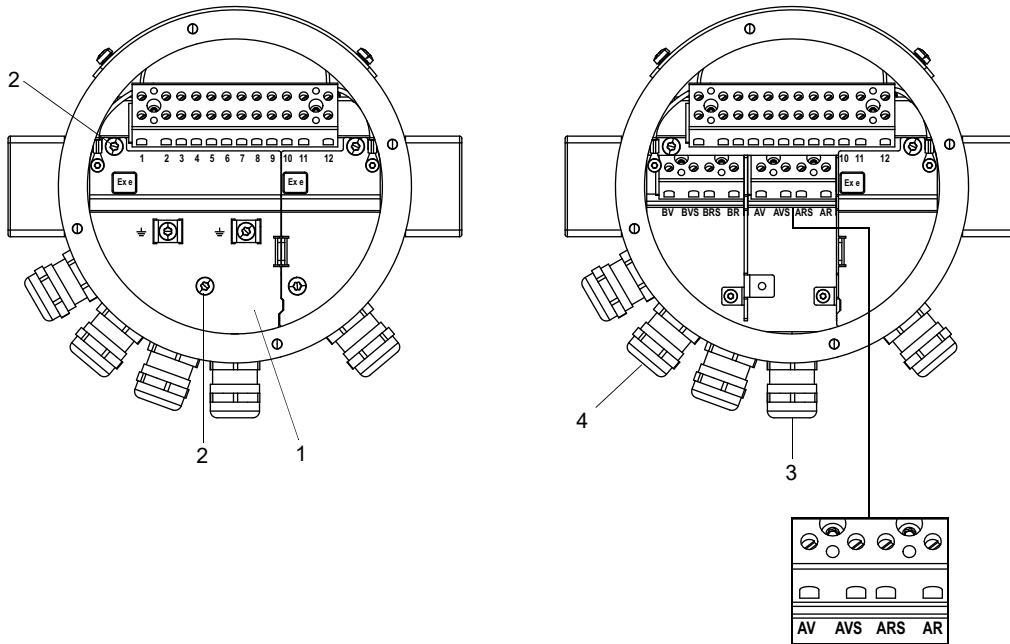
Fig. 8.3: Connection of the transducers to the transmitter



**Transmitter with stainless steel housing**

- Loosen the 2 screws of the cover for the connection of the transducers.
- Remove the cover.
- When the transducers are connected, put the cover back in place.
- Tighten the screws of the cover.

Fig. 8.4: Connection of the transducers to the transmitter



- 1 – cover for the connection of the transducers
- 2 – screws of the cover for the connection of the transducers
- 3 – transducers (measuring channel A)
- 4 – transducers (measuring channel B)

**8.1.1 Connection of the transducer cable to the transmitter**

**Important!**

The degree of protection of the transmitter is only ensured if all cables are tightly fitted using cable glands and the housing is firmly screwed.

**8.1.1.1 Transducer cable with plastic jacket and stripped ends**

- Remove the blind plug for the connection of the transducer cable.
- Open the cable gland of the transducer cable. The compression part remains in the cap nut.
- Push the transducer cable through the cap nut and the compression part.
- Prepare the transducer cable.
- Cut the external shield to length and brush it back over the compression part.
- Screw the sealing ring side of the basic part into the transmitter housing.
- Insert the transducer cable into the housing.

**Notice!**

For good electromagnetic compatibility (EMC), it is important to ensure good electrical contact between the external shield and the cap nut (and thus the housing).

- Fix the cable gland by screwing the cap nut onto the basic part.
- Connect the transducer cable to the terminals of the transmitter.

Tab. 8.1: Terminal assignment





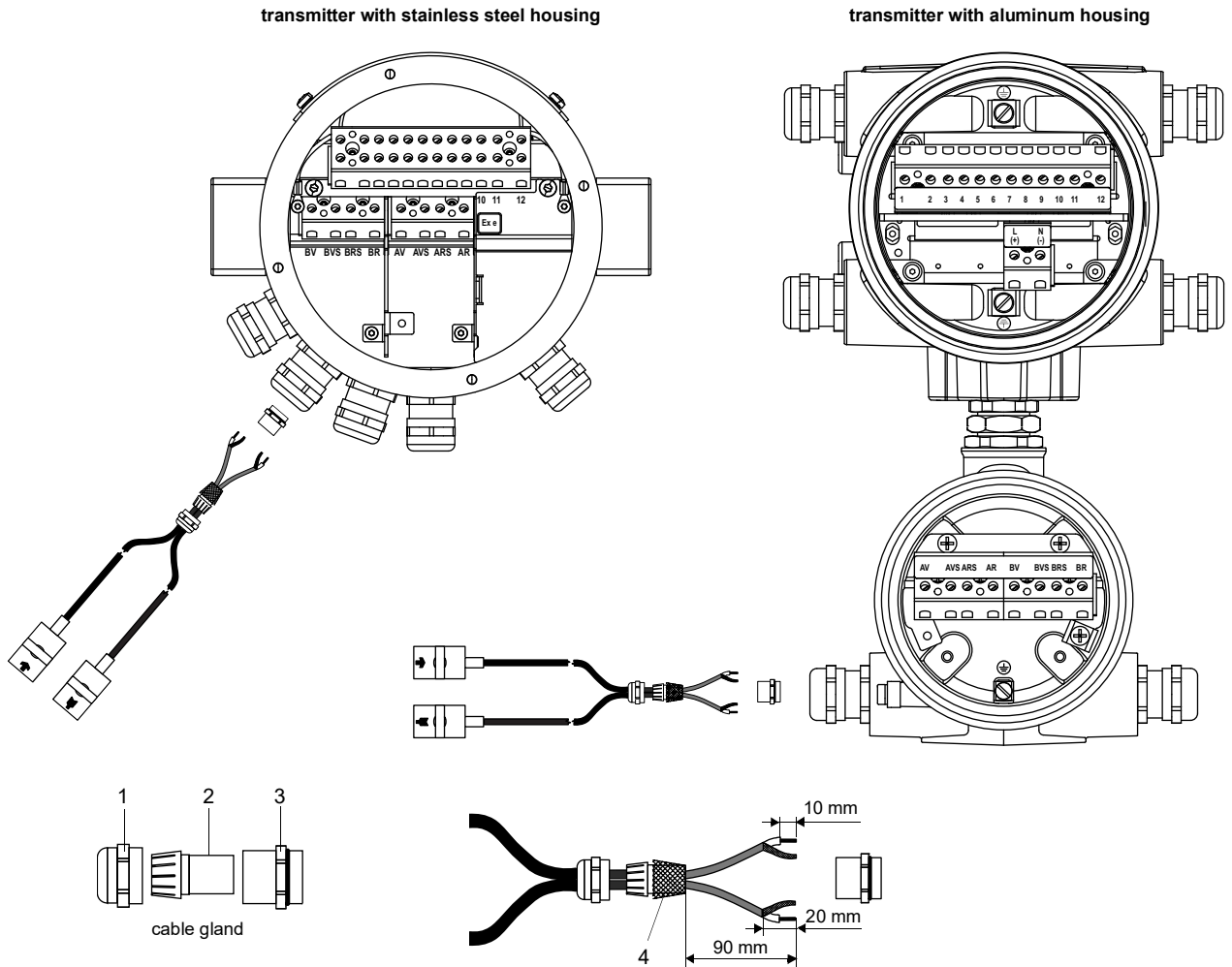
terminal	connection
xV	transducer  (core)
xVS	transducer  (internal shield)
xRS	transducer  (internal shield)
xR	transducer  (core)

Fig. 8.5: Connection of the transducer cable with plastic jacket and stripped ends to the transmitter



- 1 – cap nut
- 2 – compression part
- 3 – basic part
- 4 – external shield, brushed back

**8.1.1.2 Transducer cable with stainless steel conduit and stripped ends**

- Remove the blind plug for the connection of the transducer cable.
- Insert the transducer cable into the housing.
- Fix the transducer cable by tightening the cable gland.
- Connect the transducer cable to the terminals of the transmitter.

Tab. 8.2: Terminal assignment





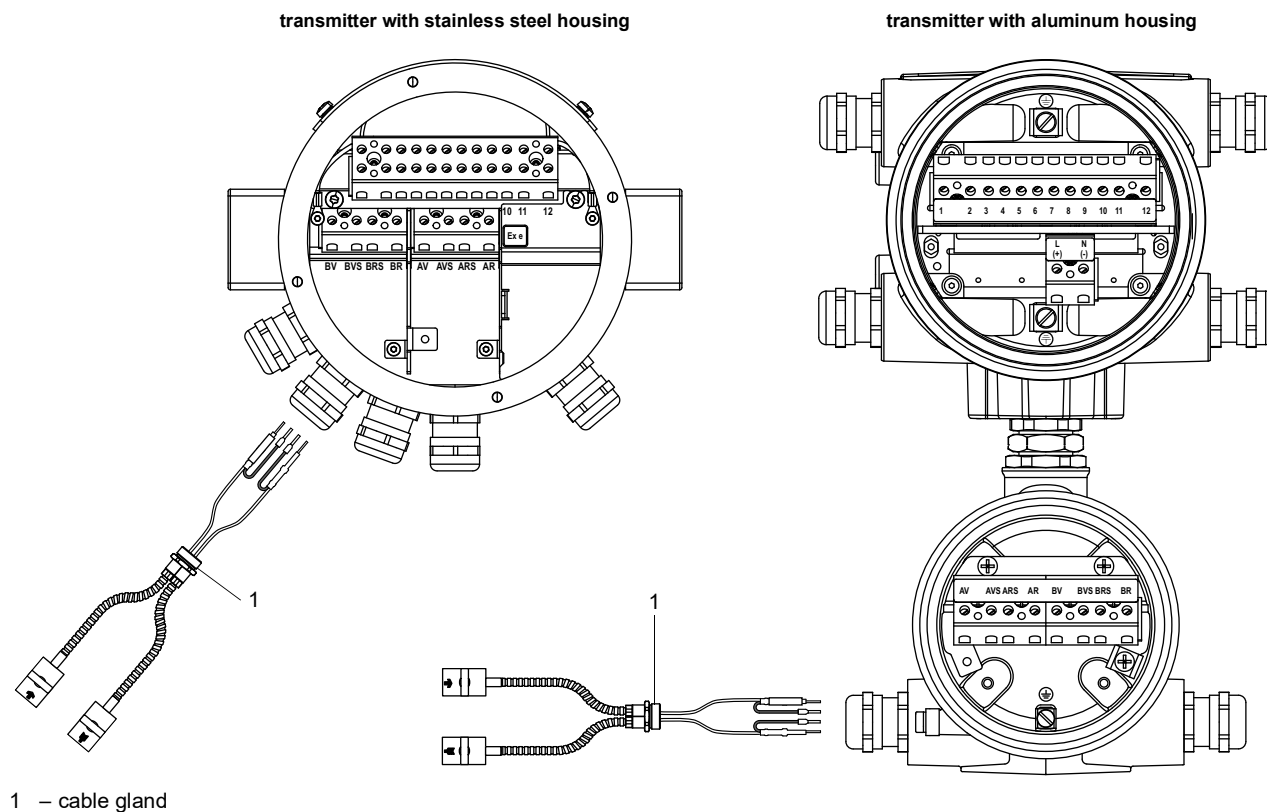
terminal	connection
xV	transducer  (brown cable, marked white)
xVS	transducer  (red cable)
xRS	transducer  (red cable)
xR	transducer  (brown cable)

Fig. 8.6: Connection of the transducer cable with stainless steel conduit and stripped ends to the transmitter



1 – cable gland



### 8.1.2 Connection of the extension cable to the transmitter

The extension cable is connected to the transmitter via the transducer connection.

- Remove the blind plug for the connection of the transducer cable.
- Open the cable gland of the extension cable. The compression part remains in the cap nut.
- Push the extension cable through the cap nut and the compression part.
- Prepare the extension cable.
- Cut the external shield to length and brush it back over the compression part.
- Screw the sealing ring side of the basic part into the transmitter housing.
- Insert the extension cable into the housing.

#### Notice!

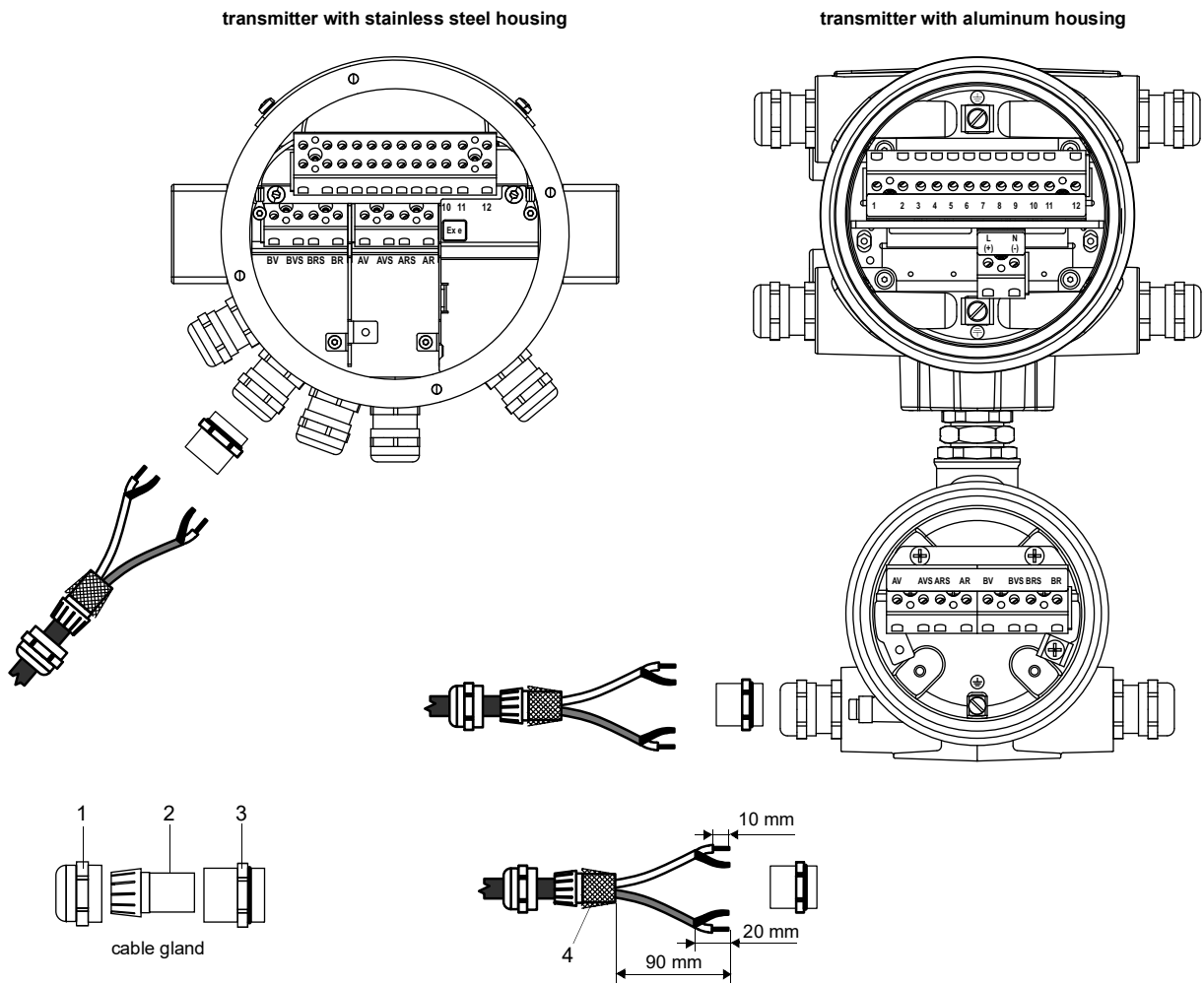
For good electromagnetic compatibility (EMC), it is important to ensure good electrical contact between the external shield and the cap nut (and thus the housing).

- Fix the cable gland by screwing the cap nut onto the basic part.
- Connect the extension cable to the terminals of the transmitter.

Tab. 8.3: Terminal assignment

terminal	connection
xV	white or marked cable (core)
xVS	white or marked cable (internal shield)
xRS	brown cable (internal shield)
xR	brown cable (core)

Fig. 8.7: Connection of the extension cable to the transmitter



- 1 – cap nut
- 2 – compression part
- 3 – basic part
- 4 – external shield, brushed back

### 8.1.3 Connection of the transducer cable to the junction box

#### 8.1.3.1 Transducer cable with plastic jacket and stripped ends

- Remove the blind plug for the connection of the transducer cable.
- Open the cable gland of the transducer cable. The compression part remains in the cap nut.
- Push the transducer cable through the cap nut and the compression part.
- Prepare the transducer cable.
- Shorten the external shield and brush it back over the compression part.
- Screw the gasket ring side of the basic part into the junction box.
- Insert the transducer cable into the junction box.

#### Notice!

For good electromagnetic compatibility (EMC), it is important to ensure good electrical contact between the external shield and the cap nut (and thus the housing).

- Fix the cable gland by screwing the cap nut onto the basic part.
- Connect the transducer cable to the terminals of the junction box.

Tab. 8.4: Terminal assignment





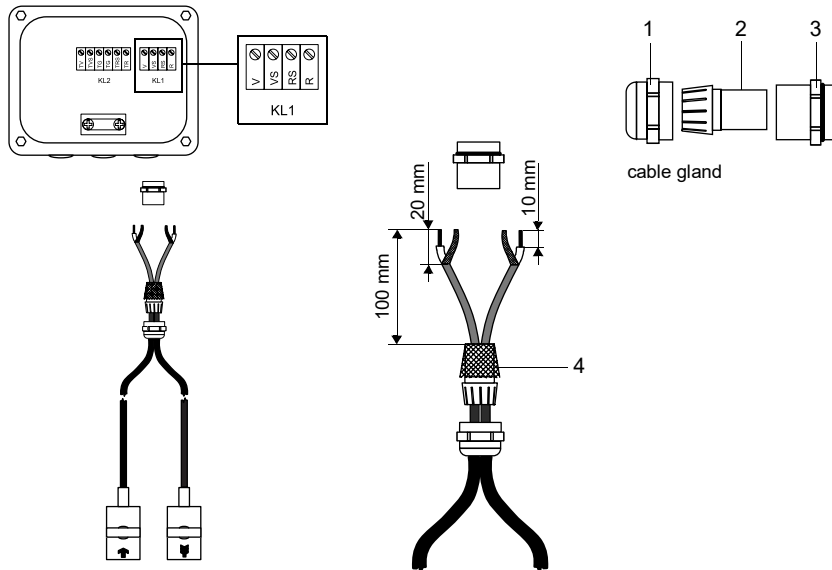
terminal	connection
V	transducer  (core)
VS	transducer  (internal shield)
RS	transducer  (internal shield)
R	transducer  (core)

Fig. 8.8: Connection of the transducer cable with plastic jacket and stripped ends



- 1 – cap nut
- 2 – compression part
- 3 – basic part
- 4 – external shield, brushed back

### 8.1.3.2 Transducer cable with stainless steel conduit and stripped ends

- Remove the blind plug for the connection of the transducer cable.
- Insert the transducer cable into the junction box.
- Fix the transducer cable by tightening the cable gland.
- Connect the transducer cable to the terminals of the junction box.

Tab. 8.5: Terminal assignment





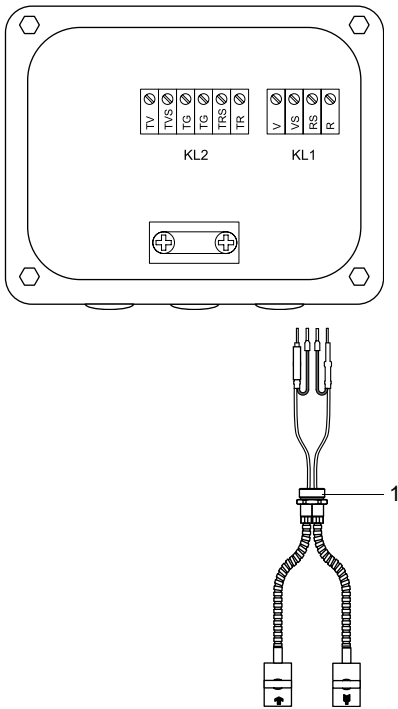
terminal	connection
V	transducer  (brown cable, marked white)
VS	transducer  (red cable)
RS	transducer  (red cable)
R	transducer  (brown cable)

Fig. 8.9: Connection of the transducer cable with stainless steel conduit and stripped ends



1 – cable gland

#### 8.1.4 Connection of the extension cable to the junction box

##### 8.1.4.1 Connection without potential separation (standard)

The connection of the extension cable to the junction box without potential separation ensures that the transducer, junction box and transmitter are on the same potential. The extension cable should always be connected in this manner, especially if power current cables are nearby. If earthing on the same potential cannot be ensured, see section 8.1.4.2.

- Remove the blind plug for the connection of the extension cable.
- Open the cable gland of the extension cable. The compression part remains in the cap nut.
- Push the extension cable through the cap nut and the compression part.
- Prepare the extension cable.
- Shorten the external shield and brush it back over the compression part.
- Screw the gasket ring side of the basic part into the junction box.
- Insert the extension cable into the junction box.

#### Notice!

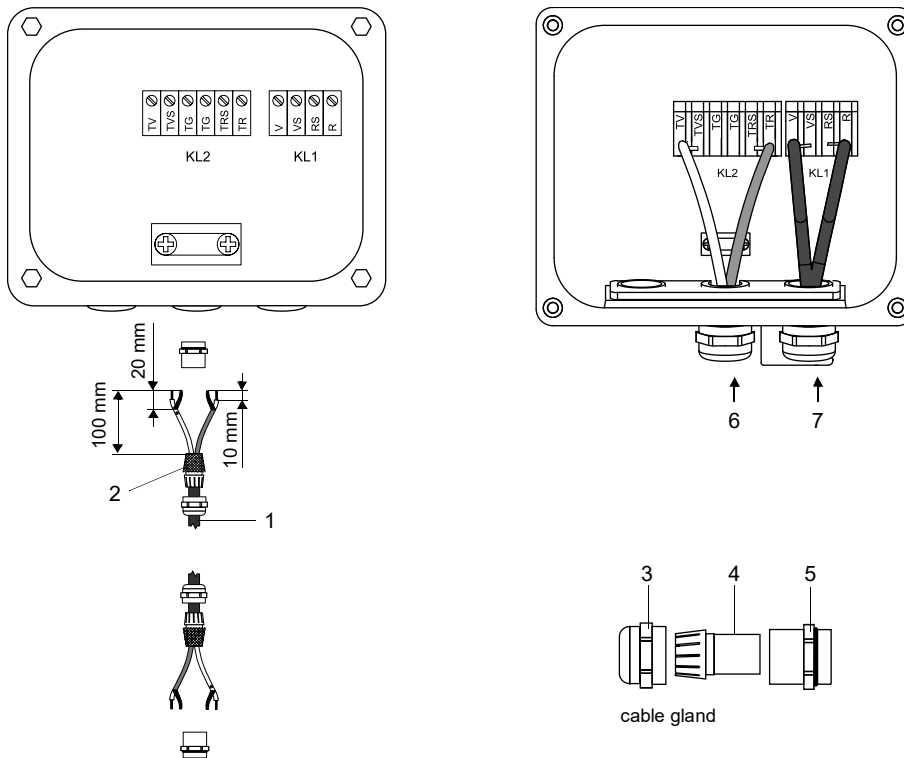
For good electromagnetic compatibility (EMC), it is important to ensure good electrical contact between the external shield and the cap nut (and thus the housing).

- Fix the cable gland by screwing the cap nut onto the basic part.
- Connect the extension cable to the terminals of the junction box.

Tab. 8.6: Terminal assignment

terminal	connection (extension cable)
TV	white or marked cable (core)
TVS	white or marked cable (internal shield)
TRS	brown cable (internal shield)
TR	brown cable (core)
cable gland	external shield

Fig. 8.10: Connection of the extension cable to the junction box (without potential separation)



- 1 – extension cable
- 2 – external shield, brushed back
- 3 – cap nut
- 4 – compression part
- 5 – basic part
- 6 – connection of the extension cable
- 7 – connection of the transducer cable

### 8.1.4.2 Connection with potential separation

If earthing on the same potential cannot be ensured, e.g., in measurement arrangements with long extension cables, the extension cable and the junction box have to be electrically insulated from each other. The junction box and the transducers have to be on the same potential. Thus, no compensation currents can flow to the transmitter via the extension cable.

For measurement arrangements where the junction box and the transducers have to be electrically insulated from each other see the document TIFLUXUS\_GalvSep.

- Remove the blind plug for the connection of the extension cable.
- Open the cable gland of the extension cable. The compression part remains in the cap nut.
- Push the extension cable through the cap nut, the compression part and the basic part.
- Insert the extension cable into the junction box.
- Prepare the extension cable.
- Cut the external shield and brush it back.
- Pull the extension cable back until the brushed-back external shield is below the shield terminal. The extension cable has to remain completely insulated up to the shield terminal.
- Screw the gasket ring side of the basic part into the junction box.
- Fix the cable gland by screwing the cap nut onto the basic part.

#### Important!

Observe the max. permissible voltage of 60 V DC between the earth potentials.

#### Important!

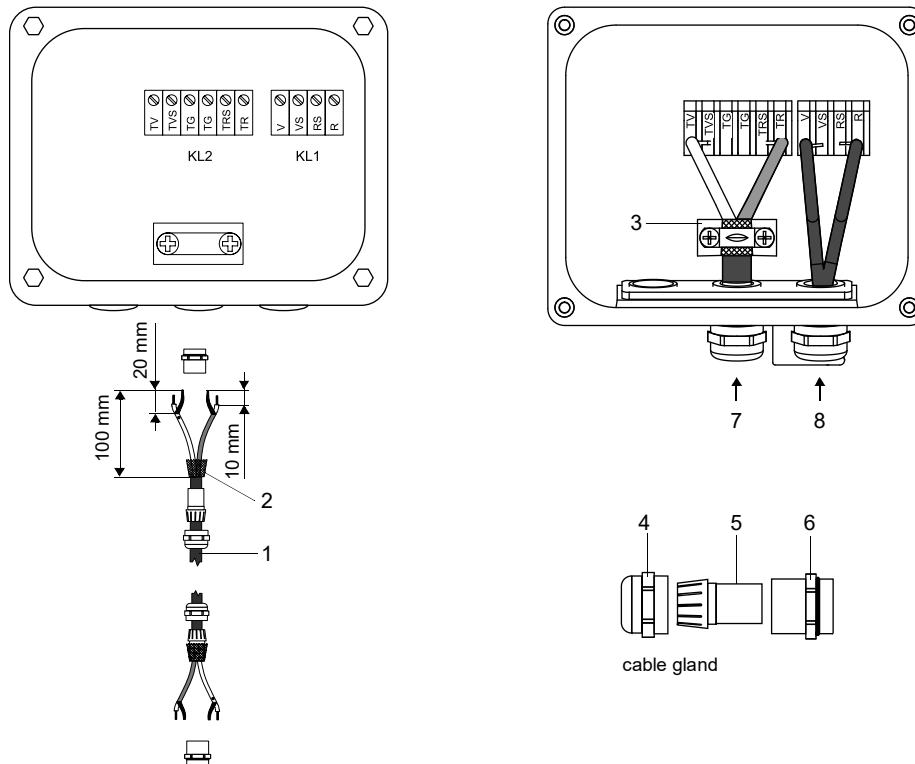
The external shield of the extension cable must not have electrical contact to the junction box. Therefore, the extension cable has to remain completely insulated up to the shield terminal.

- Fix the extension cable and the external shield to the shield terminal.
- Connect the extension cable to the terminals of the junction box.

Tab. 8.7: Terminal assignment

terminal	connection (extension cable)
TV	white or marked cable (core)
TVS	white or marked cable (internal shield)
TRS	brown cable (internal shield)
TR	brown cable (core)
shield terminal	external shield

Fig. 8.11: Connection of the extension cable to the junction box (with potential separation)



- 1 – extension cable
- 2 – external shield
- 3 – shield terminal
- 4 – cap nut
- 5 – compression part
- 6 – basic part
- 7 – connection of the extension cable
- 8 – connection of the transducer cable

## 8.2 Transducers (FM Class I Div. 1)

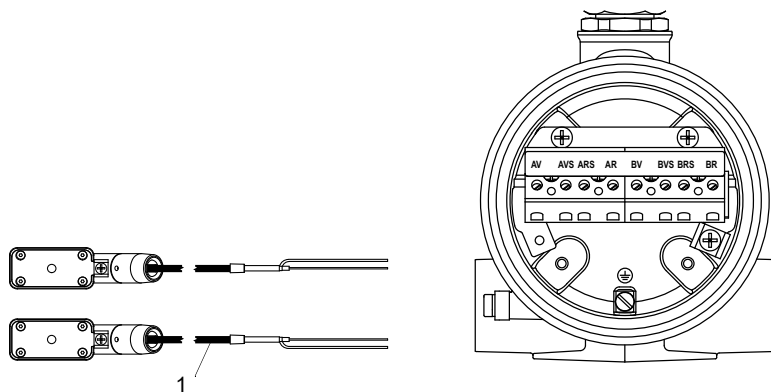
### 8.2.1 Connection of the transducer cable to the transmitter

- Remove the blind plug for the connection of the transducer cable.
- Insert the transducer cable through the cable conduit (approved for FM Class I Div. 1) into the housing.
- Connect the transducer cable to the terminals of the transmitter.

Tab. 8.8: Terminal assignment

terminal	connection
xV	transducer  (core)
xVS	transducer  (internal shield)
xRS	transducer  (internal shield)
xR	transducer  (core)

Fig. 8.12: Connection of the transducer cable to the transmitter



1 – transducer cable

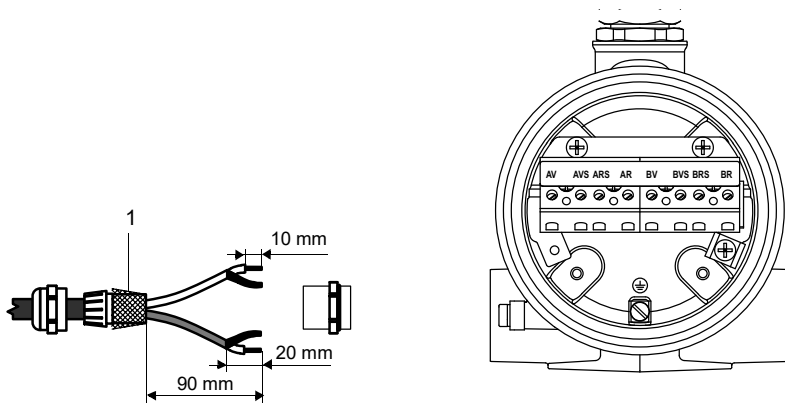
### 8.2.2 Connection of the extension cable to the transmitter

- The extension cable is connected to the transmitter via the transducer connection.
- Remove the blind plug for the connection of the transducer cable.
- Insert the extension cable through the cable conduit (approved for FM Class I Div. 1) into the housing.
- Prepare the extension cable.
- Connect the extension cable to the terminals of the transmitter.

Tab. 8.9: Terminal assignment

terminal	connection
xV	white or marked cable (core)
xVS	white or marked cable (internal shield)
xRS	brown cable (internal shield)
xR	brown cable (core)
equipotential bonding terminal	external shield

Fig. 8.13: Connection of the extension cable to the transmitter



1 – external shield, brushed back

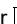

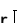

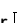



### 8.2.3 Connection to the junction box

Transducer and extension cables are connected via the terminal board KFM1. This has to be installed in a junction box (provided by customer) approved for the use in explosive atmospheres.

- Connect the transducer and extension cables to the terminals of the junction box.

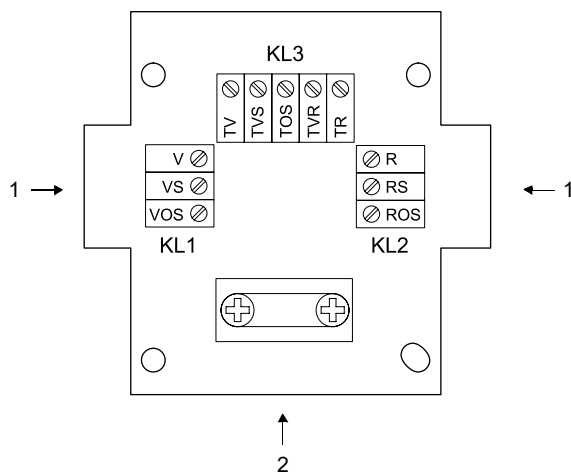
Tab. 8.10: Terminal assignment (transducer cable)

terminal	connection (KL1)	terminal	connection (KL2)
V	transducer  (core)	R	transducer  (core)
VS	transducer  (internal shield)	RS	transducer  (internal shield)
VOS	transducer  (external shield)	ROS	transducer  (external shield)

Tab. 8.11: Terminal assignment (extension cable)

terminal	connection (KL3)
TV	core
TVS	internal shield
TOS	external shield
TRS	internal shield
TR	core

Fig. 8.14: Terminal board KFM1



- 1 – connection of the transducer cable
- 2 – connection of the extension cable

## 8.3 Transducers (FM Class I Div. 2)

### 8.3.1 Connection of the transducer cable to the transmitter

For mounting the transducers, an M20/NPT adapter is required in each case. For the installation of transducers with SMB connectors an SMB adapter is required.

- Remove the blind plug for the connection of the transducer cable.
- Connect the transducers to the SMB adapter.
- Insert the transducer cable with SMB adapter into the housing.
- Screw the sealing ring side of the basic part into the M20/NPT adapter.
- Fix the cable gland by screwing the cap nut onto the basic part.
- Connect the cable of the SMB adapter to the terminals of the transmitter.

Tab. 8.12: Terminal assignment





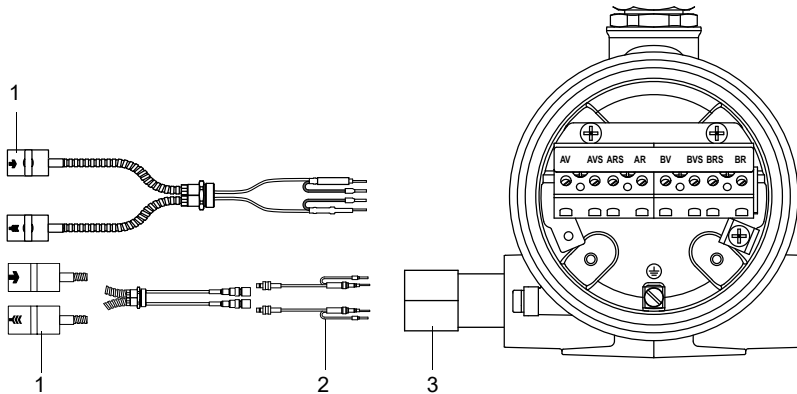
terminal	connection
xV	SMB adapter  (brown cable, marked white)
xVS	SMB adapter  (red cable)
xRS	SMB adapter  (red cable)
xR	SMB adapter  (brown cable)

Fig. 8.15: Connection of the transducer cable to the transmitter



- 1 – transducers
- 2 – SMB adapter
- 3 – M20/NPT adapter

### 8.3.2 Connection of the extension cable to the transmitter

- The extension cable is connected to the transmitter via the transducer connection.
- Remove the blind plug for the connection of the transducer cable.
- Open the cable gland of the extension cable. The compression part remains in the cap nut.
- Push the extension cable through the cap nut and the compression part.
- Prepare the extension cable.
- Cut the external shield to length and brush it back over the compression part.
- Screw the sealing ring side of the basic part into the transmitter housing.
- Insert the extension cable into the housing.

#### Notice!

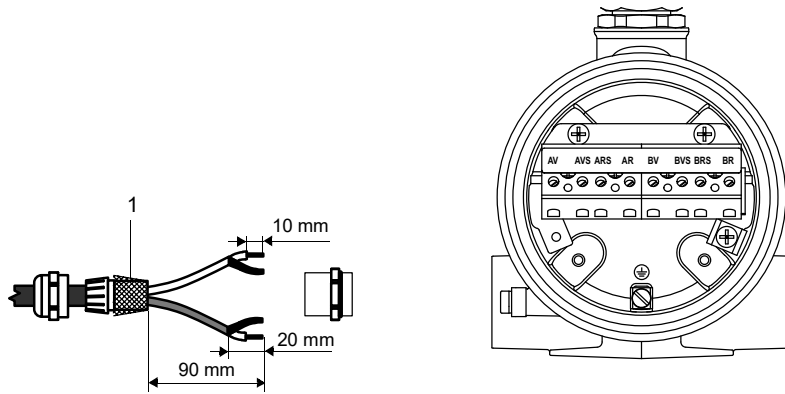
For good electromagnetic compatibility (EMC), it is important to ensure good electrical contact between the external shield and the cap nut (and thus the housing).

- Fix the cable gland by screwing the cap nut onto the basic part.
- Connect the extension cable to the terminals of the transmitter.

Tab. 8.13: Terminal assignment

terminal	connection
xV	white or marked cable (core)
xVS	white or marked cable (internal shield)
xRS	brown cable (internal shield)
xR	brown cable (core)

Fig. 8.16: Connection of the extension cable to the transmitter



1 – external shield, brushed back

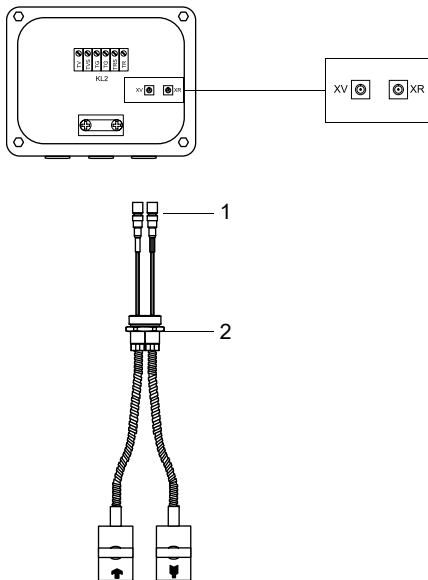
### 8.3.3 Connection of the transducer cable to the junction box

- Remove the blind plug for the connection of the transducer cable.
- Insert the transducer cable with the SMB connectors into the junction box.
- Fix the transducer cable by tightening the cable gland.
- Connect the SMB connectors to the sockets of the junction box.

Tab. 8.14: Terminal assignment

terminal	connection
XV	SMB connector (brown cable, marked white)
XR	SMB connector (brown cable, marked black)

Fig. 8.17: Connection of the transducer cable with SMB connectors



1 – SMB connector  
2 – cable gland

### 8.3.4 Connection of the extension cable to the junction box

#### 8.3.4.1 Connection without potential separation (standard)

The connection of the extension cable to the junction box without potential separation ensures that the transducer, junction box and transmitter are on the same potential. The extension cable should always be connected in this manner, especially if power current cables are nearby. If grounding on the same potential cannot be ensured, see section 8.3.4.2.

- Remove the blind plug for the connection of the extension cable.
- Open the cable gland of the extension cable. The compression part remains in the cap nut.
- Push the extension cable through the cap nut and the compression part.
- Prepare the extension cable.
- Cut the external shield to length and brush it back over the compression part.
- Screw the gasket ring side of the basic part into the junction box.
- Insert the extension cable into the junction box.

**Notice!**

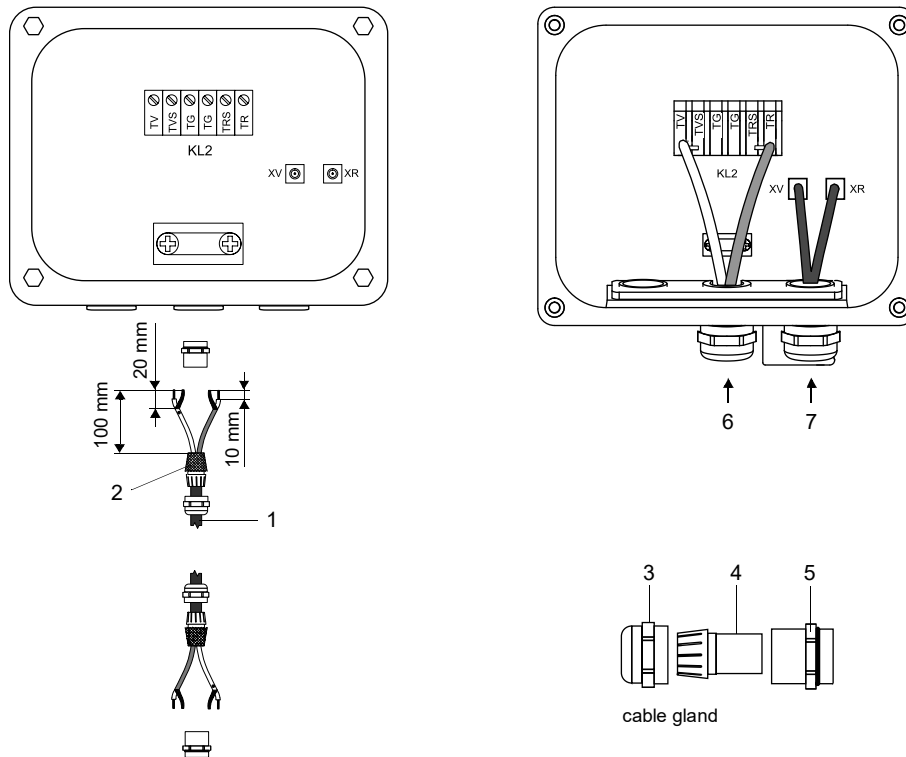
For good electromagnetic compatibility (EMC), it is important to ensure good electrical contact between the external shield and the cap nut (and thus the housing).

- Fix the cable gland by screwing the cap nut onto the basic part.
- Connect the extension cable to the terminals of the junction box.

Tab. 8.15: Terminal assignment

terminal	connection (extension cable)
TV	white or marked cable (core)
TVS	white or marked cable (internal shield)
TRS	brown cable (internal shield)
TR	brown cable (core)
cable gland	external shield

Fig. 8.18: Connection of the extension cable to the junction box (without potential separation)



- 1 – extension cable
- 2 – external shield, brushed back
- 3 – cap nut
- 4 – compression part
- 5 – basic part
- 6 – connection of the extension cable
- 7 – connection of the transducer cable

**8.3.4.2 Connection with potential separation**

If grounding on the same potential cannot be ensured, e.g., in measurement arrangements with long extension cables, the extension cable and the junction box have to be electrically insulated from each other. The junction box and the transducers have to be on the same potential. Thus, no compensation currents can flow to the transmitter via the extension cable.

For measurement arrangements where the junction box and the transducers have to be electrically insulated from each other see the document TIFLUXUS\_GalvSep.

- Remove the blind plug for the connection of the extension cable.
- Open the cable gland of the extension cable. The compression part remains in the cap nut.
- Push the extension cable through the cap nut, the compression part and the basic part.
- Insert the extension cable into the junction box.
- Prepare the extension cable.
- Cut the external shield to length and brush it back.
- Pull the extension cable back until the brushed-back external shield is below the shield terminal. The extension cable has to remain completely insulated up to the shield terminal.
- Screw the gasket ring side of the basic part into the junction box.
- Fix the cable gland by screwing the cap nut onto the basic part.

**Important!**  
Observe the max. permissible voltage of 60 V DC between the ground potentials.

**Important!**

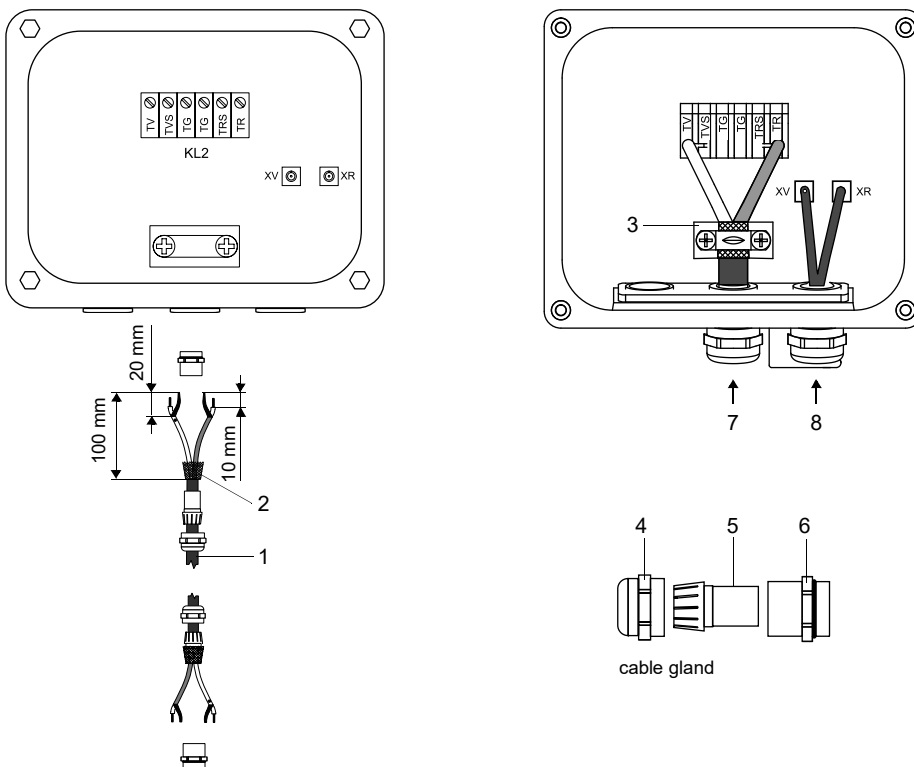
The external shield of the extension cable must not have electrical contact to the junction box. Therefore, the extension cable has to remain completely insulated up to the shield terminal.

- Fix the extension cable and the external shield to the shield terminal.
- Connect the extension cable to the terminals of the junction box.

Tab. 8.16: Terminal assignment

terminal	connection (extension cable)
TV	white or marked cable (core)
TVS	white or marked cable (internal shield)
TRS	brown cable (internal shield)
TR	brown cable (core)
shield terminal	external shield

Fig. 8.19: Connection of the extension cable to the junction box (with potential separation)



- 1 – extension cable
- 2 – external shield
- 3 – shield terminal
- 4 – cap nut
- 5 – compression part
- 6 – basic part
- 7 – connection of the extension cable
- 8 – connection of the transducer cable

## 8.4 SENSPROM

The SENSPROM contains important transducer data for the operation of the transmitter with the transducers. If transducers are replaced or added, the SENSPROM has to be replaced or added as well.

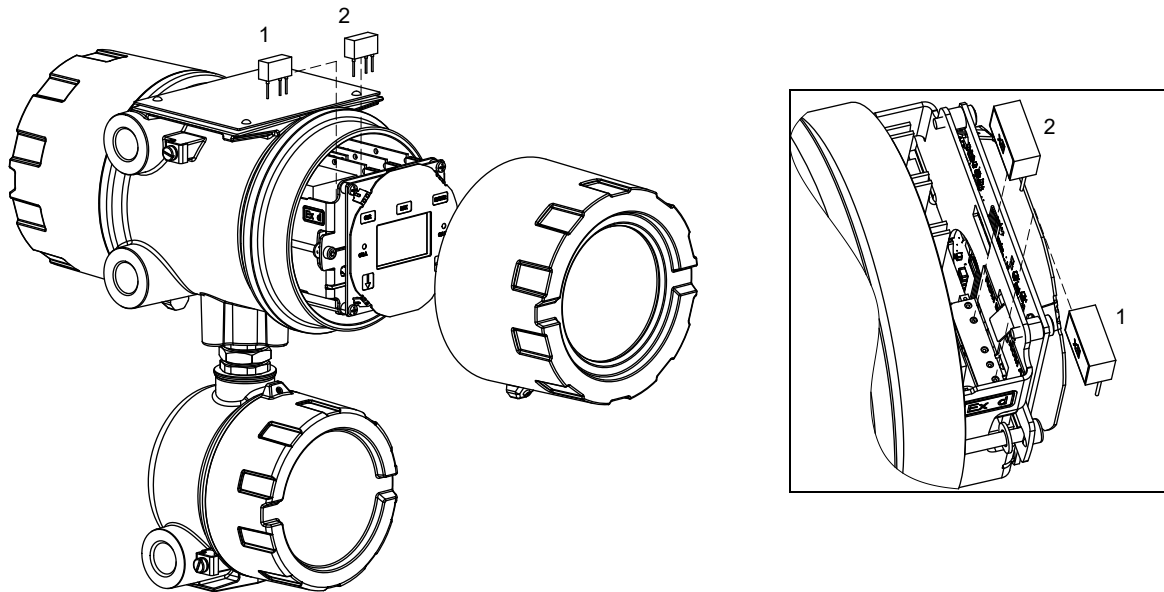
### Notice!

The serial numbers of the SENSPROM and the transducer have to be identical. A wrong or wrongly connected SENSPROM will lead to incorrect measured values or to a measurement failure.

#### Transmitter with aluminum housing

- Disconnect the transmitter from the power supply.
- Open the front side of the upper housing.
- Insert each SENSPROM into its socket.
- Close the housing.
- Make sure that the housing is closed correctly and that the set screws are tightened.
- Connect the transmitter to the power supply.
- Enter all parameters of the menu `Parameters`.
- Start the measurement.

Fig. 8.20: Connection of the SENSPROM

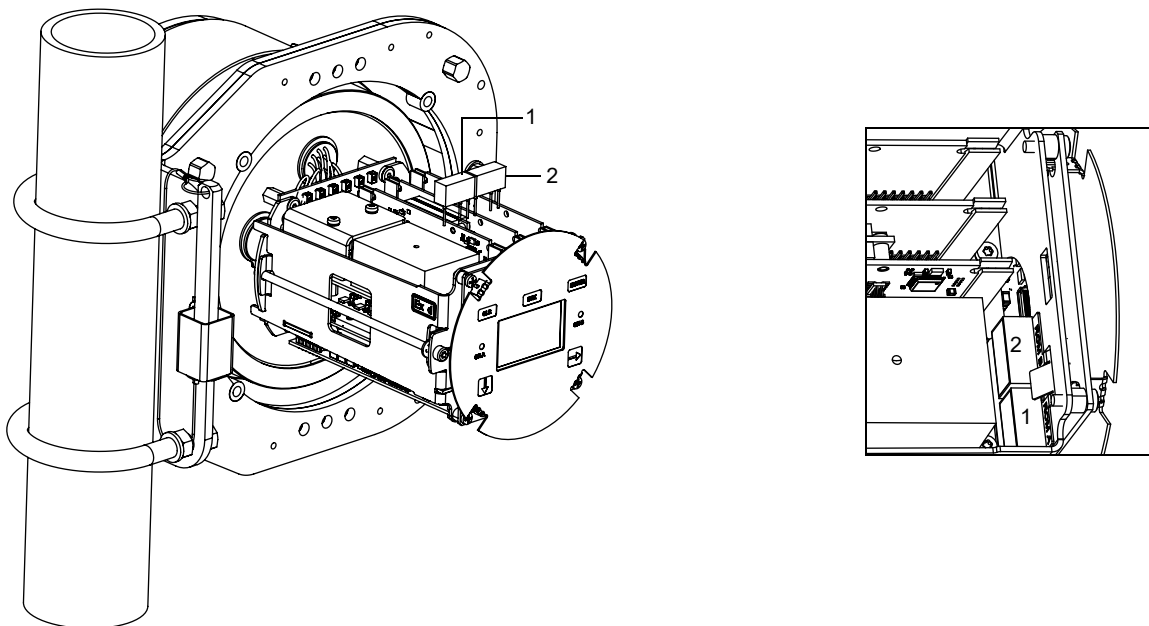


- 1 – SENSPROM of measuring channel A
- 2 – SENSPROM of measuring channel B

### Transmitter with stainless steel housing

- Disconnect the transmitter from the power supply.
- Open the housing (see section 7.1.1.2).
- Insert each SENSPROM into its socket.
- Close the housing.
- Make sure the housing is correctly closed.
- Connect the transmitter to the power supply.
- Enter all parameters of the menu *Parameters*.
- Start the measurement.

Fig. 8.21: Connection of the SENSPROM



- 1 – SENSPROM of measuring channel A
- 2 – SENSPROM of measuring channel B



### 8.5 Power supply

The installation of the power supply is carried out by the operator. The operator has to provide an overcurrent protector of max. 16 A (fuse or similar device) disconnecting all energizing wires in case of an inadmissible high current consumption. The impedance of the protective ground has to be low ohmic in order not to allow touch voltage pass the permissible limit. The equipotential bonding terminal serves as functional ground of the transmitter.

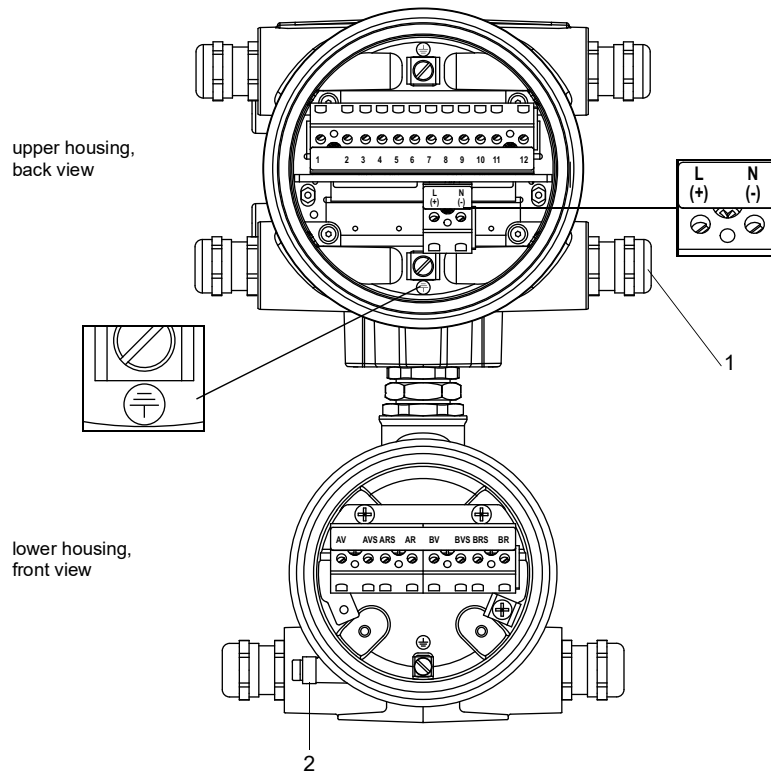
**Important!**

The degree of protection of the transmitter will only be guaranteed if the power cable fits firmly and tightly in the cable gland.

#### Transmitter with aluminum housing

- Connect the power cable to the transmitter (see section 8.5.1, Fig. 8.22 and Tab. 8.17).

Fig. 8.22: Connection of the power supply to the transmitter



- 1 – connection of the power supply
- 2 – equipotential bonding terminal

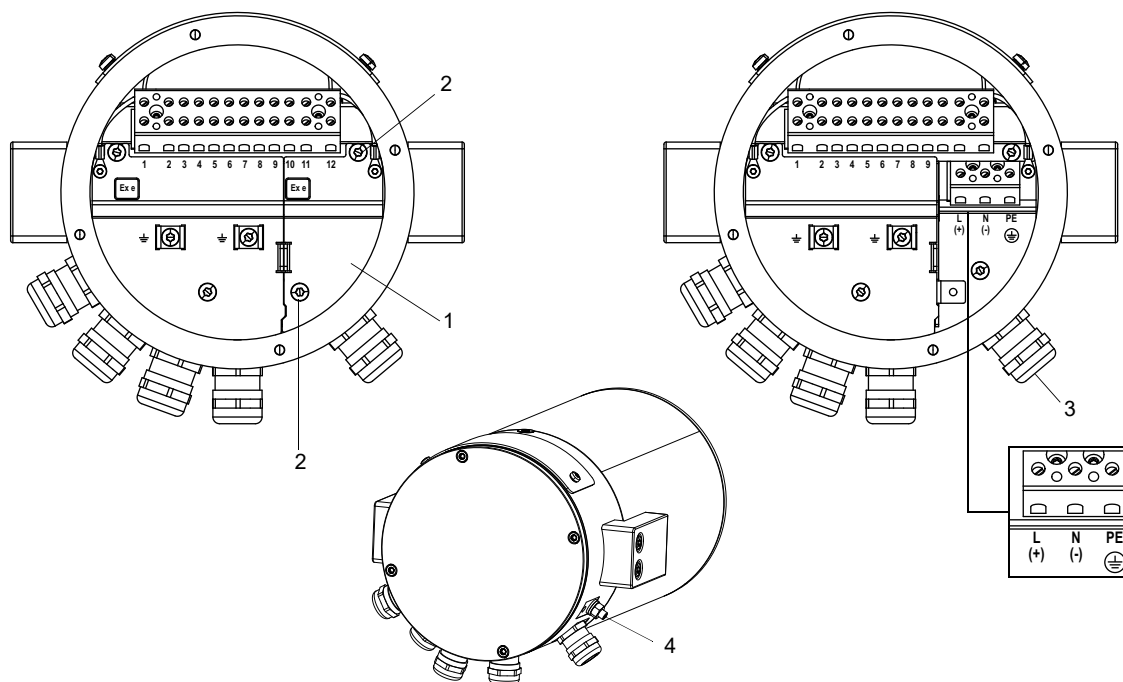
Tab. 8.17: Terminal assignment

terminal	connection AC	terminal	connection DC
L	outer conductor	(+)	DC
N	neutral conductor	(-)	GND
⊕	protective conductor	⊕	protective conductor

### Transmitter with stainless steel housing

- Loosen the 2 screws of the cover for the connection of the power supply.
- Remove the cover.
- Connect the power cable to the transmitter, see section 8.5.1, Fig. 8.23 and Tab. 8.18.
- Inset the cover.
- Tighten the screws of the cover.

Fig. 8.23: Connection of the power supply to the transmitter



- 1 – cover for the connection of the power supply
- 2 – cover screws
- 3 – connection of the power supply
- 4 – equipotential bonding terminal

Tab. 8.18: Terminal assignment

terminal	connection AC	terminal	connection DC
L	outer conductor	(+)	DC
N	neutral conductor	(-)	GND
⊕	protective conductor	⊕	protective conductor

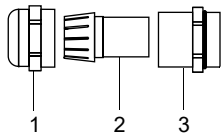
### 8.5.1 Cable connection

- Remove the blind plug to connect the cable to the transmitter.
- Prepare the cable with an M20 cable gland.

The used cable has to have a wire cross-section of 0.25...2.5 mm<sup>2</sup>.

- Push the cable through the cap nut, compression part and basic part of the cable gland.
- Insert the cable into the housing of the transmitter.
- Screw the sealing ring side of the basic part into the transmitter housing.
- Fix the cable gland by screwing the cap nut onto the basic part.
- Connect the cable to the terminals of the transmitter.

Fig. 8.24: Cable gland



- 1 – cap nut
- 2 – compression part
- 3 – basic part

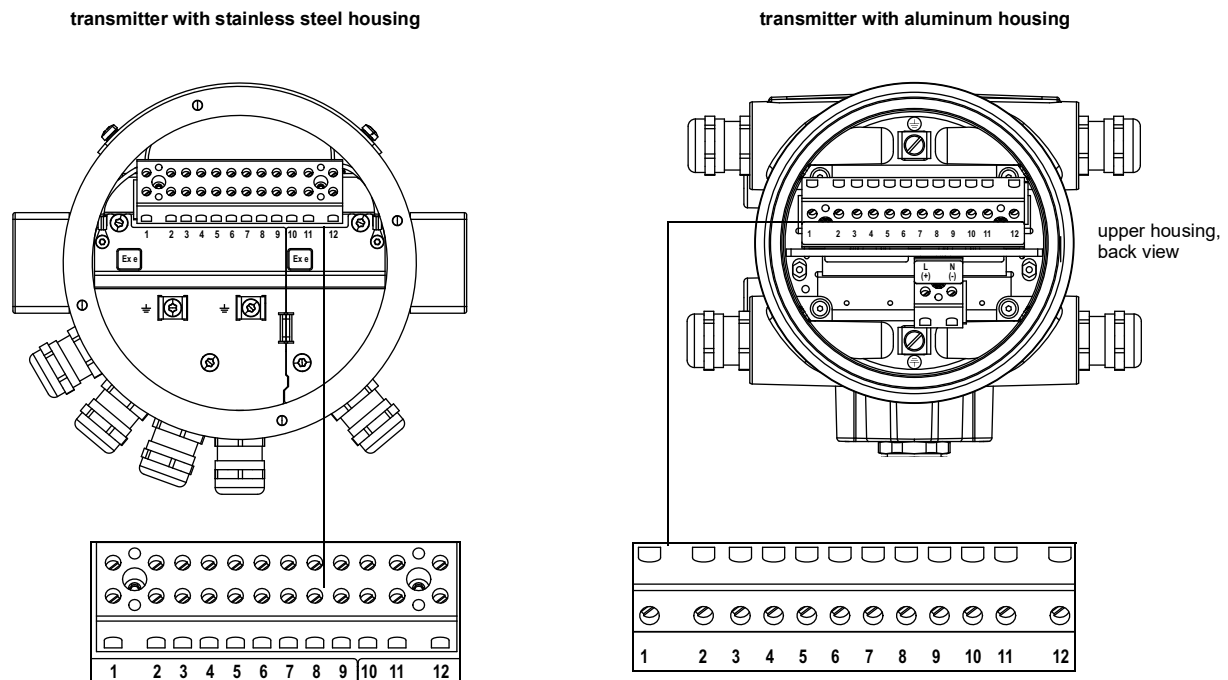
### 8.6 Outputs

**Important!**

The max. permissible voltage between the outputs and against PE is 60 V DC (permanent).

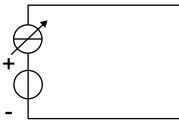
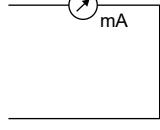
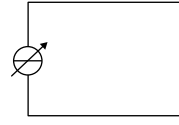
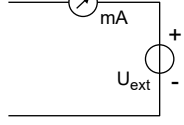
- Connect the output cable to the transmitter (see section 8.5.1, Fig. 8.25 and section 8.6.1).

Fig. 8.25: Connection of the outputs to the transmitter

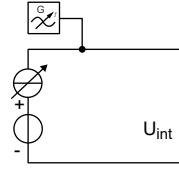
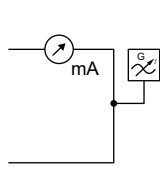
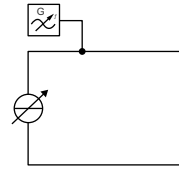
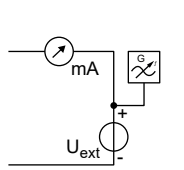


### 8.6.1 Output circuits

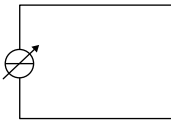
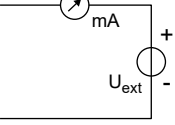
Tab. 8.19: Switchable current output Ix

transmitter		external circuit	remark
internal circuit	connection		
active			
	x+  x-		$R_{ext} = 250 \dots 530 \Omega$ $U_{opencircuit} = 28 \text{ V DC}$ adjustable fault current (no valid measured value, no measurement): 3.2...3.99 mA, 20.01...24 mA hardware fault current: 3.2 mA
passive			
	x+  x-		$U_{ext} = 9 \dots 30 \text{ V DC}$ , dependent on $R_{ext}$ ( $R_{ext} < 458 \Omega$ with 20 V) adjustable fault current (no valid measured value, no measurement): 3.2...3.99 mA, 20.01...24 mA hardware fault current: 3.2 mA

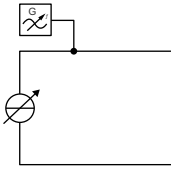
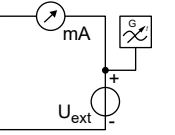
Tab. 8.20: Switchable current output Ix/HART

transmitter		external circuit	remark
internal circuit	connection		
active			
	x+  x-		$R_{ext} = 250 \dots 530 \Omega$ $U_{opencircuit} = 28 \text{ V DC}$ adjustable fault current (no valid measured value, no measurement): 3.5...3.99 mA, 20.01...22 mA hardware fault current: 3.2 mA
passive			
	x+  x-		$U_{ext} = 9 \dots 30 \text{ V DC}$ , dependent on $R_{ext}$ ( $R_{ext} = 250 \dots 458 \Omega$ with 20 V) adjustable fault current (no valid measured value, no measurement): 3.5...3.99 mA, 20.01...22 mA hardware fault current: 3.2 mA

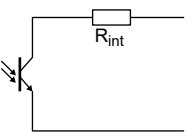
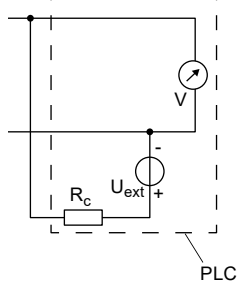
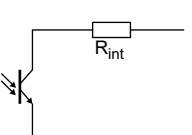
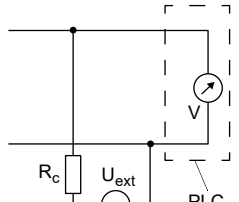
Tab. 8.21: Current output Ix, intrinsically safe, passive

transmitter		external circuit	remark
internal circuit	connection		
	<p>x+</p> <p>x-</p>		<p><math>U_i = 29\text{ V}</math>  <math>I_i = 100\text{ mA}</math>  <math>P_i = 0.725\text{ W}</math>  <math>C_i = 1\text{ nF}</math>  <math>L_i = 50\text{ nH}</math>  <math>U_{\text{ext}} \leq 29\text{ V DC}</math>, dependent on <math>R_{\text{ext}}</math>  <math>(R_{\text{ext}} &lt; 458\ \Omega \text{ with } 20\text{ V})</math></p> <p>adjustable fault current (no valid measured value, no measurement):                      3.2...3.99 mA, 20.01...24 mA                      hardware fault current: 3.2 mA</p>

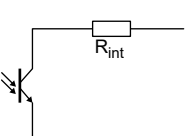
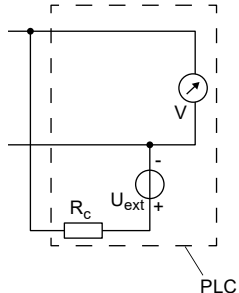
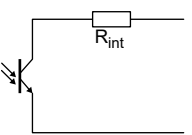
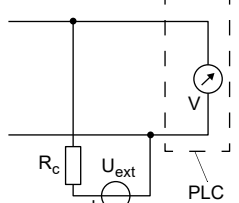
Tab. 8.22: Current output Ix/HART, intrinsically safe, passive

transmitter		external circuit	remark
internal circuit	connection		
	<p>x+</p> <p>x-</p>		<p><math>U_i = 29\text{ V}</math>  <math>I_i = 100\text{ mA}</math>  <math>P_i = 0.725\text{ W}</math>  <math>C_i = 1\text{ nF}</math>  <math>L_i = 50\text{ nH}</math>  <math>U_{\text{ext}} = 9...29\text{ V DC}</math>, dependent on <math>R_{\text{ext}}</math>  <math>(R_{\text{ext}} = 250...458\ \Omega \text{ with } 20\text{ V})</math></p> <p>adjustable fault current (no valid measured value, no measurement):                      3.5...3.99 mA, 20.01...22 mA                      hardware fault current: 3.2 mA</p>

Tab. 8.23: Digital output (according to IEC 60947-5-6 (NAMUR))

transmitter		external circuit	remark
internal circuit	connection		
circuit 1			
	x+  x-		$U_{ext} = 8.2 \text{ V}$ $I_{max} = 8 \text{ mA with } 29 \text{ V DC}$ $f = 2 \dots 10 \text{ kHz}$ $T_p = 0.05 \dots 1000 \text{ ms}$
circuit 2			
	x+  x-		

Tab. 8.24: Digital output, intrinsically safe (according to IEC 60947-5-6 (NAMUR))

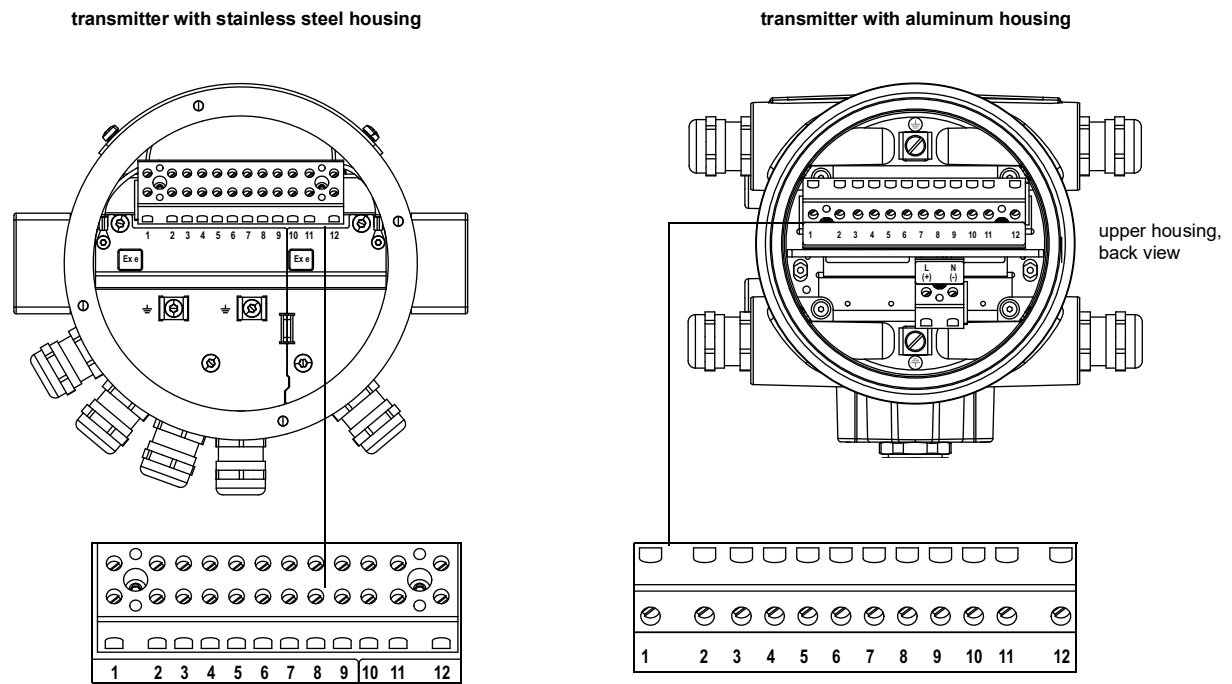
transmitter		external circuit	remark
internal circuit	connection		
circuit 1			
	x+  x-		$U_i = 29 \text{ V}$ $I_i = 100 \text{ mA}$ $P_i = 0.725 \text{ W}$ $C_i = 1 \text{ nF}$ $L_i = 50 \text{ nH}$ $U_{ext} = 8.2 \text{ V}$ $I_{max} = 8 \text{ mA with } 29 \text{ V DC}$ $f = 2 \dots 10 \text{ kHz}$ $T_p = 0.05 \dots 1000 \text{ ms}$
circuit 2			
	x+  x-		

For all circuits apply:

- $R_{ext}$  is the sum of all ohmic resistances in the circuit (e.g., resistance of the conductors, resistance of the ammeter/voltmeter).
- The number, type and connections of the outputs depend on the order.
- The terminal assignment is displayed on the transmitter during configuration of the outputs.

## 8.7 Inputs

Fig. 8.26: Connection of the inputs to the transmitter



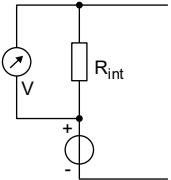
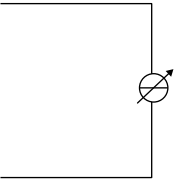
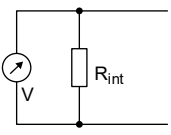
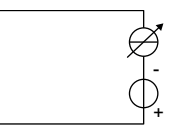
### 8.7.1 Circuits of the inputs

#### Important!

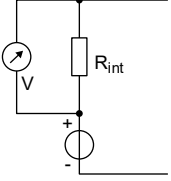
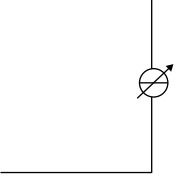
Observe the correct polarity in order to avoid damaging the current source. A permanent short circuit can destroy the current input.

For the connection of the input cable to the transmitter, see section 8.5.1 and Fig. 8.26.

Tab. 8.25: Switchable current input Ix

transmitter		external circuit	remark
internal circuit	connection		
active			
	x+          x-		$R_{int} = 75 \Omega$ $I_{max} \leq 30 \text{ mA}$ $I = 0 \dots 20 \text{ mA}$ (measuring range) $U_{opencircuit} = 28 \text{ V}$ $U_{min} = 21.4 \text{ V}$ with 20 mA The current input is galvanically isolated from the transmitter.
passive			
	x-          x+		$R_{int} = 35 \Omega$ $U_{max} = 24 \text{ V}$ $I_{max} \leq 24 \text{ mA}$ $I = 0 \dots 20 \text{ mA}$ (measuring range) The current input is galvanically isolated from the transmitter.

Tab. 8.26: Current input Ix, intrinsically safe, active

transmitter		external circuit	remark
internal circuit	connection		
	x+          x-		$U_o = 29.2 \text{ V}$ $I_o = 88 \text{ mA}$ $P_o = 0.64 \text{ W}$ $L_o = 4.1 \text{ mH}$ $C_o = 73 \text{ nF}$ $R_{int} \leq 385 \Omega$ $U_{int} < 20 \text{ V}$ $I_{max} \leq 40 \text{ mA}$ $U_{min} = 19.6 \text{ V} - (R_{int} \cdot I)$ $I = 0 \dots 20 \text{ mA}$ (measuring range) The current input is not galvanically isolated from the transmitter.

For all circuits apply:

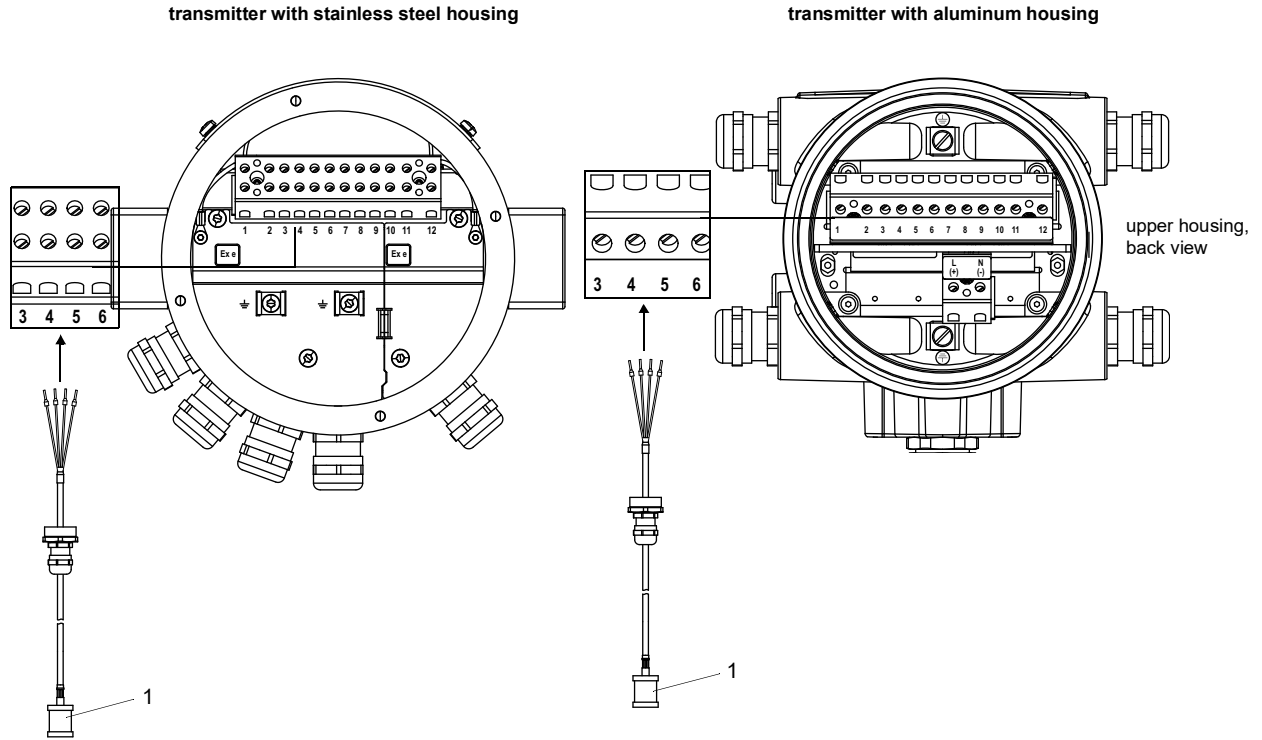
- The number, type and connections of the inputs depend on the order.
- The terminal assignment is displayed on the transmitter during the configuration of the inputs.



### 8.8 Temperature probe

It is possible to connect the temperature probes Pt100/Pt1000 (4-wire) to the inputs of the transmitter (optional).

Fig. 8.27: Connection of the temperature probes to the transmitter



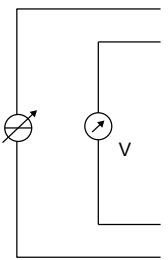
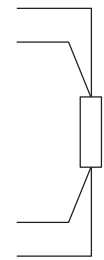
1 – temperature probe

#### 8.8.1 Circuit of the temperature inputs

Tab. 8.27: Temperature input – not intrinsically safe

transmitter		external circuit	explanation
internal circuit	connection		
	<p>6</p> <p>4</p> <p>3</p> <p>5</p>		<p>Pt100/Pt1000 (4-wire)</p> <p>The input is galvanically isolated from the transmitter.</p>

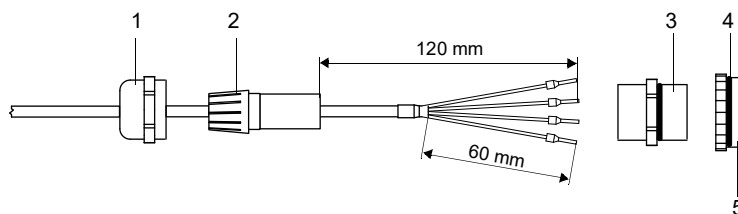
Tab. 8.28: Temperature input – intrinsically safe

transmitter		external circuit	remark
internal circuit	connection		
	6 4  3 5		$U_o = 9.2 \text{ V}$ $I_o = 25 \text{ mA}$ $P_o = 0.057 \text{ W}$ $L_o = 57 \text{ mH}$ $C_o = 4283 \text{ nF}$ Pt100/Pt1000 (4-wire)

### 8.8.2 Direct connection of the temperature probe

- Remove the blind plug for the connection of the temperature probe.
- Open the cable gland of the temperature probe. The compression part remains in the cap nut.
- Push the cable of the temperature probe through the cap nut, the compression part, the basic part and the reducer.
- Prepare the cable.
- Insert the cable into the housing.
- Screw the sealing ring side of the reducer into the transmitter housing.
- Screw the basic part into the reducer.
- Fix the cable gland by screwing the cap nut onto the basic part.
- Connect the temperature probe to the terminals of the transmitter.

Fig. 8.28: Preparation of the temperature probe



- 1 – cap nut
- 2 – compression part
- 3 – basic part
- 4 – reducer
- 5 – sealing ring side

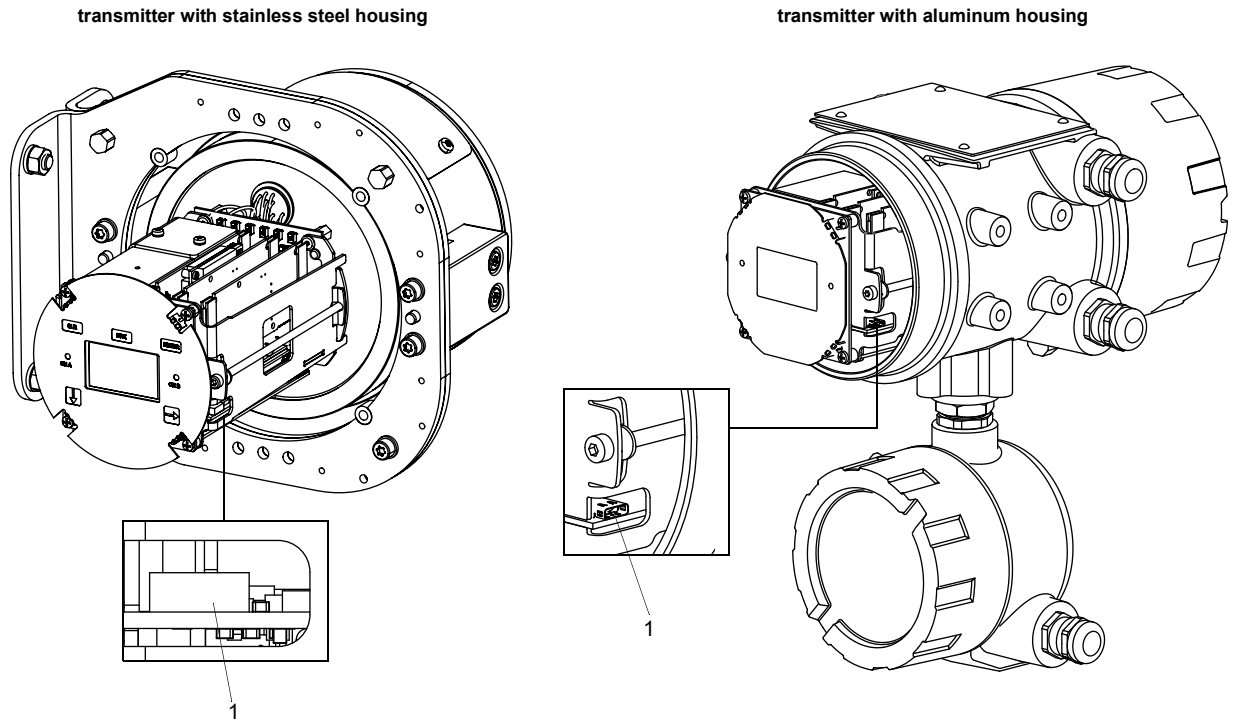
## 8.9 Service interface

### 8.9.1 USB interface

The transmitter can be connected directly to the PC via the USB interface. The USB interface may only be connected outside the explosive atmosphere (open housing).

- Connect the USB cable to the USB interface of the transmitter and to the PC.

Fig. 8.29: Connection of the USB cable



## 9 Start-up

### Danger!



#### **Risk of explosion when using the measuring equipment in explosive atmospheres**

This may result in personal or material damage or dangerous situations.

→ Observe the "Safety instructions for the use in explosive atmospheres".

### Warning!



#### **Installation, connection and start-up by unauthorized and unqualified personnel**

This may result in personal or material damage or dangerous situations.

→ Any work on the transmitter has to be carried out by authorized and qualified personnel.

### Warning!



#### **Touching live parts**

Electric shock or arc faults can lead to severe injuries. The measuring equipment can be damaged.

→ Prior to any work on the transmitter (e.g., installation, dismantling, connection, start-up), the transmitter has to be disconnected from the power supply.

### Caution!



#### **Safety and accident prevention regulations for electrical systems and equipment**

Failure to observe these regulations may lead to severe injuries.

→ Observe the safety and accident prevention regulations for electrical systems and equipment.

### Caution!



#### **Warning of severe injuries from hot or cold components**

Touching hot or cold components can lead to severe injuries (e.g., thermal damage).

- Any mounting, installation or connection work has to be concluded.
- Any work on the measuring point during the measurement is prohibited.
- Observe the ambient conditions at the measuring point during installation.
- Wear the required personal protective equipment.
- Observe the applicable rules.

### Notice!

The transmitter and transducers have to be checked to ensure proper condition and operational safety before each use. The transmitter housing must always be closed during operation. Observe that maintenance work must be concluded.

## 9.1 Start-up settings

When starting up the transmitter for the first time, the following settings are required:

- language
- time/date
- system of units

These displays will only be indicated when the transmitter is switched on for the first time or after an initialization.

### Language

The available transmitter languages are displayed.

- Select a language.
- Press ENTER.

The menus are displayed in the selected language.

### Set time

The current time is displayed.

- Press ENTER to confirm the time or set the current time via the numeric field.
- Press ENTER.

### Set date

The current date is displayed.

- Press ENTER to confirm the date or set the current date via the numeric field.
- Press ENTER.

### Units of measurement

- Select **Metric** or **Imperial**.
- Press ENTER.

### Region of Canada

- Select **Yes** if the transmitter is to be used in the region of Canada.
- Press ENTER.

This display will only be indicated if **Imperial** is selected.

## 9.2 Switching on

As soon as the transmitter is connected to the power supply, the menu is displayed in the adjusted language. The language can be changed.

### Notice!

The parameters cannot be changed during the measurement. The measurement has to be stopped in order to change the parameters.

If the transmitter was switched off during the measurement, the message `Measurement started` will be displayed after connecting the transmitter to the power supply. The measurement continues with the parameters set last.

By pressing BRK in the menu `Measurement` it is possible either to stop the measurement or to display the current parameter settings.

### Operation state indication

The operation state is indicated by LEDs above the display.

Tab. 9.1: Operation state of the transmitter

LED off	transmitter in idle state
LED lights green	signal quality of the measuring channel sufficient for a measurement
LED lights red	signal quality of the measuring channel not sufficient for a measurement

## 9.3 Language

Miscellaneous\System settings\Language

The language of the transmitter can be selected:

- Select the menu item `Language`.
- Press ENTER.
- Select the desired language from the scroll list.
- Press ENTER.

Afterwards the menu will be displayed in the selected language. The selected language remains activated when the transmitter is switched off and on again.

The language can also be changed by entering a HotCode.

### 9.4 Initialization

During an initialization (INIT) of the transmitter, all settings are reset to factory default. The initialization is started with the HotCode **909000**.

During an initialization it is tested whether the key lock is activated. If so, it has to be deactivated.

- Enter the 6-digit key lock code. For the input of numbers see section 5.4.
- Press ENTER.

If a measurement is running, it will be stopped.

It will be asked whether the initial settings are to be carried out.

Initial settings

If `Yes` is selected, the following setting dialogs will be displayed:

- `Language`
- `Date/time`
- `Units of measurement`
- `Delete meas. values`
- `Delete snaps`
- `Delete user subst.` (all customized materials and fluids which were stored after delivery will be deleted)
- `Reset totalizers`

The initialization can also be started with the HotCode **909000**.

## 9.5 Date and time

Miscellaneous\System settings>Date/time

The transmitter has a battery-powered clock. Measured values are automatically stored with date and time.

- Select the menu item `Date/time`.

The adjusted time is displayed.


- Enter the current time. For the input of numbers, see section 5.4.
- Press ENTER.

The adjusted date is displayed.

- Enter the current date. For the input of numbers, see section 5.4.
- Press ENTER.

## 9.6 Information regarding the transmitter

Miscellaneous\System settings\Transmitter info

- Select the menu item `Transmitter info`.
- Press ENTER.
- Press  to scroll through the list.
- Press BRK to return to the menu item `System settings`.

The following information relating to the transmitter is displayed:

display	description
Serial number	serial number of the transmitter
Firmware version	version number of the installed firmware
Firmware date	creation date of the installed firmware
Verification log	state of the verification logger

## 10 Measurement

### Danger!



#### Risk of explosion when using the measuring equipment in explosive atmospheres

This may result in personal or material damage or dangerous situations.

→ Observe the "Safety instructions for the use in explosive atmospheres".

### Caution!



#### Warning of severe injuries from hot or cold components

Touching hot or cold components can lead to severe injuries (e.g., thermal damage).

→ Any mounting, installation or connection work has to be concluded.

→ Any work on the measuring point during the measurement is prohibited.

→ Observe the ambient conditions at the measuring point during installation.

→ Wear the required personal protective equipment.

→ Observe the applicable rules.

## 10.1 Enabling the analysis

### Notice!

If the analysis is not enabled, the transmitter works as an ultrasonic flowmeter. All menu displays relating to the analysis are faded out.

During the parameter input, all fluids stored in the transmitter are displayed. A mass flow rate measurement for a given concentration (e.g. H<sub>2</sub>SO<sub>4</sub> of 0...80 %) is possible.

Miscellaneous\Measurement\Measurement modes

- Select the menu item `Measurement` in the menu `Miscellaneous`.
- Press ENTER.
- Select the menu item `Measurement modes`.
- Press ENTER.

Miscellaneous\Measurement\Measurement modes\Enable analysis

- Select `On` to enable the analysis. Select `Off` to disable it.
- Press ENTER.

Miscellaneous\Measurement\Measurement modes\Reference temp.

- Enter the temperature according to the local reference conditions (default: 20 °C).
- Press ENTER.

Miscellaneous\Measurement\Measurement modes\Reference pressure

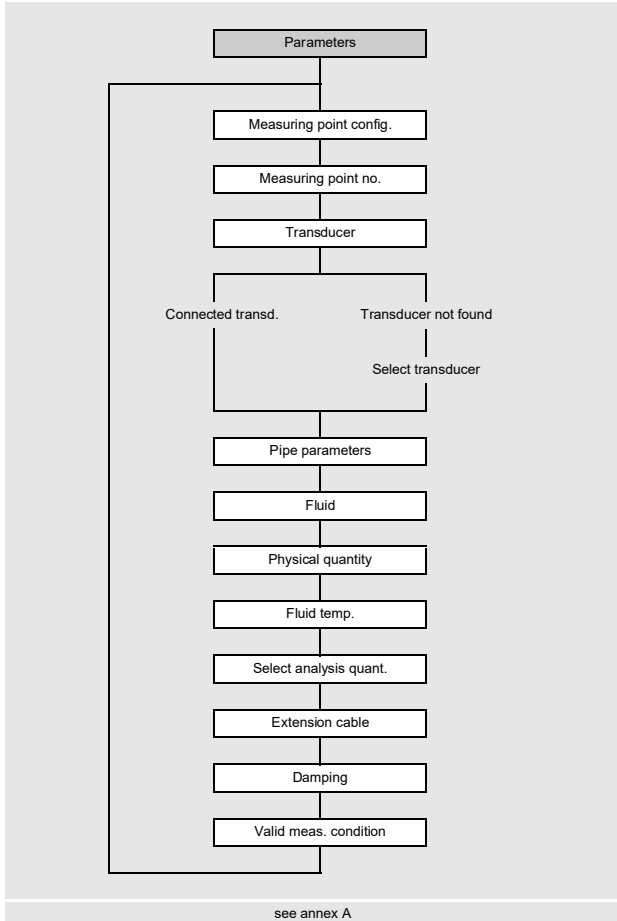
- Enter the pressure according to the local reference conditions (default: 1 bar).
- Press ENTER.



## 10.2 Parameter input

### Notice!

Avoid a simultaneous parameter entry via the keyboard and the USB or process interface. The parameter records received via these interfaces will overwrite the current transmitter parametrization.



The pipe and fluid parameters are entered for the selected measuring point. The parameter ranges are limited by the technical characteristics of the transducers and the transmitter.

- Select the menu `Parameters`.
- Press `ENTER`.

### 10.2.1 Measuring point configuration

`Parameters\Measuring point config.\1 meas. point (AB)`

- Select the configuration of the measuring point (here: `1 meas. point (AB)`).
- Press `ENTER`.

The display will not be indicated if the transmitter has only one measuring channel.

Tab. 10.1: Measuring point configuration

1 meas. point (A)	1 meas. point (AB)	2 meas. points (A B)
The measurement is carried out using 1 measuring channel at 1 measuring point.	The measurement is carried out using 2 measuring channels at 1 measuring point.	The measurement is carried out using 2 measuring channels at 2 measuring points.

If `2 meas. points (A|B)` is selected for the configuration of the measuring point, the parameters have to be entered for each measuring point.

```
Parameters\Measuring point config.\2 meas. points (A|B)\Select meas. point\A
```

- Select a measuring point.
- Press ENTER.

### 10.2.2 Input of the measuring point number

```
Parameters\Measuring point no.
```

- Enter the number of the measuring point.
- Press ENTER.

For the activation of text input see `Miscellaneous\Dialogs/Menus\Measuring point no.`

### 10.2.3 Transducer selection

#### Notice!

The transducers have to be selected depending on the application parameters (see technical specification).

```
Parameters\Connected transd.
```

- The transducer connected to the transmitter is displayed.
- Press ENTER.

The display will only be indicated if a SENSPROM is connected to the transmitter.

The display `Transducer not found` will be indicated if neither transducers nor SENSPROM are connected.

- Press ENTER.

```
Parameters\Select transducer
```

The following display appears: `Select transducer`. Standard sensors that are stored in the transmitter can be selected.

- Select the transducer.
- Press ENTER.

#### Notice!

If a standard transducer is selected, no transducer-specific calibration values are considered. A higher uncertainty has to be expected.

### 10.2.4 Input of pipe parameters

#### Outer pipe diameter

```
Parameters\Outer diameter
```

- Enter the outer pipe diameter.
- Press ENTER.

It is possible to enter the pipe circumference instead of the outer pipe diameter.

### Pipe circumference

Parameters\Pipe circumference

- Activate the input of the pipe circumference in the menu item `Miscellaneous\Dialogs/Menus\Pipe circumference`.
- Enter zero in the menu item `Outer diameter`. The menu item `Pipe circumference` will be displayed.
- Enter the pipe circumference.
- Press ENTER.

If the outer pipe diameter is to be entered, enter zero. The menu item `Outer diameter` will be displayed.

### Pipe material

Parameters\Pipe material

The pipe material has to be selected to be able to determine the corresponding sound speed.

The sound speeds for the materials in the scroll list are stored in the transmitter.

- Select the pipe material.
- If the material is not in the scroll list, select the list item `Other material`.
- Press ENTER.

### Sound speed of the pipe material

Parameters\Pipe material\Other material\c material

- Enter the sound speed of the pipe material.

#### Notice!

There are 2 sound speeds for pipe materials: the longitudinal and the transversal one. Enter the sound speed which is nearer to 2500 m/s.

- Press ENTER.
- Select `Transverse wave` or `Longitudinal wave`.
- Press ENTER.

These displays will only be indicated if `Other material` is selected.

For the sound speed of some materials see annex C.

### Roughness of the pipe material

Parameters\Pipe material\Other material\Roughness

The flow profile of the fluid is influenced by the roughness of the inner pipe wall.

The roughness is used for the calculation of the profile correction factor.

In most cases, the pipe roughness cannot be exactly determined and must therefore be estimated.

- Press ENTER if the pipe has a lining. The roughness of the lining is included into the calculation.
- Enter the roughness of the pipe material in case the pipe has no lining. Press ENTER.

This display will only be indicated if `Other material` is selected.

For the roughness of some materials see annex C.

### Wall thickness

Parameters\Pipe wall thickness

- Enter the pipe wall thickness.
- Press ENTER.

## Lining

Parameters\Lining

- Select **Yes** if the pipe has a lining. Select **No** if the pipe has no lining.
- Press **ENTER**.

### Lining material

Parameters\Lining material

- Select the lining material.
- Press **ENTER**.
- If the lining material is not included in the scroll list, select the list item **Other material**.
- Press **ENTER**.

This display will only be indicated if **Yes** is selected in the menu item **Lining**.

### Sound speed of the lining material

Parameters\Lining material\Other material\c material

- Enter the sound speed of the lining material.

#### Notice!

For pipe materials there are 2 sound speeds, the longitudinal and the transversal one. Enter the sound speed which is nearer to 2500 m/s.

- Press **ENTER**.
- Select **Transverse wave** or **Longitudinal wave**.
- Press **ENTER**.

These displays will only be indicated if **Other material** is selected.

### Roughness of the lining material

Parameters\Lining material\Other material\Roughness

The flow profile of the fluid is influenced by the roughness of the inner pipe wall.  
The roughness is used for the calculation of the profile correction factor.  
In most cases, the pipe roughness cannot be exactly determined and must therefore be estimated.

- Enter the roughness of the lining material.
- Press **ENTER**.

This display will only be indicated if **Other material** is selected.

### Lining thickness

Parameters\Lining thickness

- Enter the thickness of the lining.
- Press **ENTER**.

This display will only be indicated if **Yes** is selected in the menu item **Lining**.

## Roughness

Parameters\Roughness

The flow profile of the fluid is influenced by the roughness of the inner pipe wall.

The roughness is used for the calculation of the profile correction factor.

In most cases, the pipe roughness cannot be exactly determined and must therefore be estimated.

- If `Automatic` is selected, the roughness values stored in the transmitter are used.
- If `Customized` is selected, a roughness value has to be entered.
- Press ENTER.

This display will not be indicated if `Other material` is selected in the menu item `Pipe material` or `Lining material`.

### 10.2.5 Input of fluid parameters

#### Fluid

##### Notice!

If analysis is enabled as measuring mode, the scroll list will only display fluid data sets which can output a physical quantity for analysis.

Parameters\Fluid

- Select the fluid from the scroll list.
- If analysis is not enabled and the fluid is not in the scroll list, select the list item `Other fluid`.
- Press ENTER.

#### Sound speed of the fluid

Parameters\Fluid\Other fluid\c fluid

The sound speed of the fluid is used for the calculation of the transducer distance. The exact value of the sound speed is not always known. Therefore, a range of possible values for the sound speed has to be entered.

- Enter the average sound speed of the fluid.
- Press ENTER.

This display will only be indicated if `Other fluid` is selected.

#### Sound speed range of the fluid

Parameters\Fluid\Other fluid\Range c fluid

- Select `Automatic` if the range around the average sound speed has to be set to  $\pm 10\%$  the entered sound speed.
- Select `Customized` if the range around the average sound speed has to be entered.
- Press ENTER.

This display will only be indicated if `Other fluid` is selected.

Parameters\Fluid\Other fluid\Range c fluid\Customized

- Enter the range around the average sound speed of the fluid.
- Press ENTER.

This display will only be indicated if `Customized` is selected.

### Kinematic viscosity of the fluid

```
Parameters\Fluid\Other fluid\Kin. viscosity
```

The kinematic viscosity influences the flow profile of the fluid. The value is considered in the profile correction.

- Enter the kinematic viscosity of the fluid.
- Press ENTER.

This display will only be indicated if `Other fluid` is selected.

### Fluid density

```
Parameters\Fluid\Other fluid\Fluid density
```

The density is used to calculate the mass flow.

If the mass flow is not measured, an input is unnecessary. The default value can be used.

- Enter the operating density of the fluid.
- Press ENTER.

This display will only be indicated if `Other fluid` is selected.

## 10.2.6 Definition of the physical quantity for analysis

```
Parameters\Physical quantity
```

- Select the list item `Analysis quantity`.
- Press ENTER.

### Fluid temperature

```
Parameters\Fluid temp.
```

The fluid temperature is used:

- at the beginning of the measurement for the interpolation of the sound speed and therefore for the calculation of the recommended transducer distance
- during the measurement for the interpolation of the density and the viscosity of the fluid

This value is only used, if the fluid temperature is not measured. The value has to be within the ambient temperature of the transducers.

- Enter the fluid temperature. In case of a temperature range, enter the average fluid temperature.

#### Notice!

If the relation between the sound speed and the temperature is not linear, see the sound speed-temperature curve.

- Press ENTER.

**Selection of the physical quantity for analysis**

Parameters\Select analysis quant.

- Select one of the following physical quantities for analysis.
  - Mass fraction
  - Volume fraction
  - Mole fraction
  - Analyte concentr.
  - Matrix concentration
  - Density
  - Norm. density
  - Std. sound speed
- Press ENTER.

Parameters\Volume fraction

- Enter the operating point for the physical quantity for analysis (here: volume fraction).
- Press ENTER.

If the selected operating point of the physical quantity for analysis is outside the valid range, a substitute value has to be entered.

Parameters\Show range info

The valid range of the selected physical quantity for analysis, the temperature, the density and the sound speed can be displayed.

- Select **Yes** to display the valid range. Select **No** to change to the next menu item.

**10.2.7 Further parameters****Fluid temperature**

Parameters\Fluid temp.

The fluid temperature is used:

- at the beginning of the measurement for the interpolation of the sound speed and therefore for the calculation of the recommended transducer distance
- during the measurement for the interpolation of the density and the viscosity of the fluid

This value is only used, if the fluid temperature is not measured. The value has to be within the ambient temperature of the transducers.

- Enter the fluid temperature. In case of a temperature range, enter the average fluid temperature.

**Notice!**

If the relation between the sound speed and the temperature is not linear, see the sound speed-temperature curve.

- Press ENTER.

### Extension cable

Parameters\Extension cable

In case the transducer cable is extended (e.g., between junction box and transmitter), enter the length of the extension cable.

- Enter the length of the extension cable.
- Press ENTER.

### Input of the damping factor

Parameters\Damping

Each displayed measured value is a floating average of the last x seconds, with x being the damping factor. If 0 s is entered as damping factor, no average is calculated.

The value of 10 s is appropriate for normal flow conditions. If the values fluctuate strongly, caused by a higher dynamic flow, a higher damping factor can be very useful.

- Enter the damping factor.
- Press ENTER.

### Dynamic damping

If dynamic damping is activated, volatile changes in the measured values of the selected physical quantity are transmitted through the transmitter without any time lag.

#### Important!

The dynamic damping will only have impact on the selected physical quantity. All other physical quantities are not dynamically damped.

Parameters\Dynamic damping

- Select **On** to activate the dynamic damping.
- Press ENTER.

This display will only be indicated if dynamic damping has been activated in the menu item `Miscellaneous\Measurement\Measurement settings\Dynamic damping`.

Parameters\...\Dynamic threshold

- Enter the value for the dynamic threshold. If zero is entered, dynamic damping will be deactivated.
- Press ENTER.

Parameters\...\Transient damping

- Enter the damping factor for the temporary damping.
- Press ENTER.

#### Notice!

If another physical quantity is selected, the dynamic damping has to be entered again.



### Input of the error delay

Parameters\Error delay

The error delay is the time interval after which the error value is transmitted to the output.

This display will only be indicated if the list item `Edit` is selected in the menu item `Miscellaneous\Dialogs/Menu\Error delay`.

If no error delay is entered, the damping factor will be used.

- Enter a value for the error delay.
- Press ENTER.

### Definition of conditions for valid measurements

Parameters\Valid meas. condition

- Select a condition.
- Press ENTER.

This display will only be indicated if the list item `1 meas. point (AB)` is selected in the menu item `Parameters\Measuring point config`.

Tab. 10.2: Condition for a valid measurements

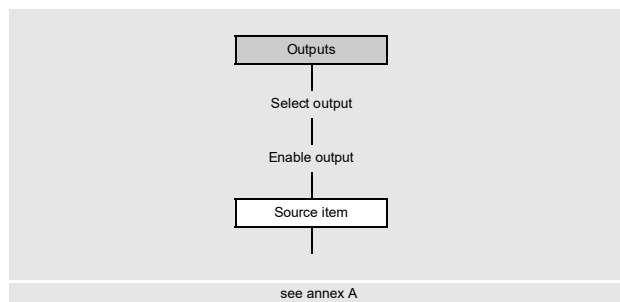
all channels OK	1 channel OK
mean with "AND" All measuring channels have to deliver a valid measuring value.	mean with "OR" At least one measuring channel has to deliver a valid measuring value.

## 10.3 Configuration of an output

If a current output has to be operated according to NAMUR NE43, this function has to be enabled.

Outputs\Current output modes\NAMUR NE43

- Select the list item `Current output modes` in the menu item `Outputs`.
- Press ENTER until the menu item `NAMUR NE43` is displayed.
- Select `Yes` to enable NAMUR NE43.
- Press ENTER.



If the transmitter is equipped with outputs, they have to be configured. The measured value, the status value or an event value can be transmitted via the different outputs.

In the following the configuration of the current output is described.

- Select the menu `Outputs`.
- Press ENTER.

The scroll list contains all available outputs of the transmitter.

Outputs\Current I1 (-)

- Select an output (here: `Current I1 (-)`).
- Press ENTER.

If the output has already been enabled, it is displayed as follows: `I1 (✓)`.

Outputs\Current I1\I1 Enable

- Select **Yes** to change the settings for an already enabled output.
- Select **No** to cancel the assignment and to return to the previous menu item.
- Press **ENTER**.

If the list item **2 meas. points (A|B)** is selected in the menu item **Parameters\Measuring point config.**, the measuring point must be selected for which the measured values are to be transmitted to the output.

- Select a list item.
- Press **ENTER**.

**Assignment of a source item**

A source item has to be assigned to each selected output.

Outputs\...\Source item

- Select a source item whose measured value, status value or event value is to be transmitted to the output.
- Press **ENTER**.

Tab. 10.3: Configuration of the outputs

source item	list item	output
Flow/analysis	Mass fraction	physical quantity for analysis selected in the menu item <b>Select analysis quant. (here:Mass fraction)</b>
	Flow velocity	flow velocity
	Volumetric flow rate	volumetric flow rate
	Mass flow rate	mass flow rate
Totalizers	Volume (+)	totalizer for the volumetric flow rate in positive flow direction
	Volume (-)	totalizer for the volumetric flow rate in negative flow direction
	Volume ( $\Delta$ )	difference of the totalizers for the positive and negative flow direction
	Mass (+)	totalizer for the mass flow rate in positive flow direction
	Mass (-)	totalizer for the mass flow rate in negative flow direction
	Mass ( $\Delta$ )	difference of the totalizers for the positive and negative flow direction
Fluid properties	Fluid temp.	fluid temperature
	Fluid pressure	fluid pressure
	Fluid density	fluid density
	Kin. viscosity	kinematic viscosity
	Dyn. viscosity	dynamic viscosity
	Norm. density	standardized density
Event trigger	R1	limit message (Event trigger R1)
	R2	limit message (Event trigger R2)
	R3	limit message (Event trigger R3)
	R4	limit message (Event trigger R4)

Tab. 10.3: Configuration of the outputs

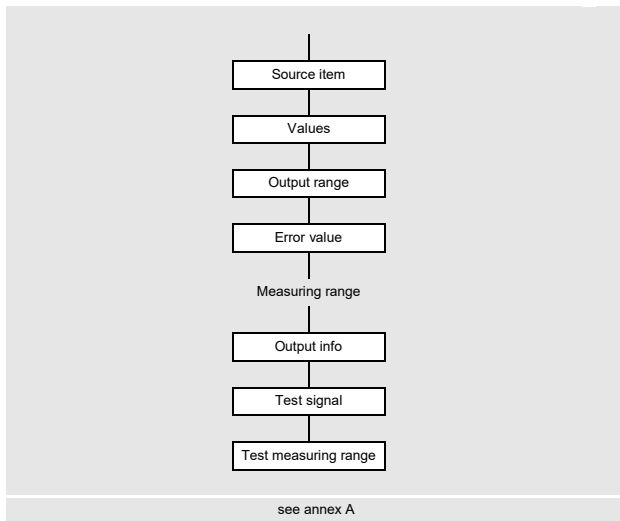
source item	list item	output
Diagnostic values	Amplitude	signal amplitude
	Quality	signal quality
	SNR	signal-to-noise ratio
	SCNR	signal-to-correlated noise ratio
	VariAmp	amplitude variation
	VariTime	transit time variation
	Gain	gain required to receive a useful signal
	Pig detection	signalizes whether a pig is detected This display will only be indicated if Pig detection is activated.
Miscellaneous	Custom. Input 1	measured values of input quantities (e.g., temperature, density) which are not used for calculation  In the menu item Inputs\Assign inputs it is possible to assign configured inputs to customized inputs.
	Custom. Input 2	
	Custom. Input 3	
	Custom. Input 4	
Sound speed	Sound speed	sound speed

Depending on the selected source item, it is possible to output measured values, status values or event values.

Tab. 10.4: Output of measured values, status values or event values

	source item	measured value		event value
		value	status	
physical quantities	Flow quantities	x	x	
	Totalizers	x	x	
	Fluid properties	x	x	
	Sound speed	x	x	
	Miscellaneous	x	x	
	Diagnostic values (except Pig detection)	x		
events	Diagnostic values\ Pig detection			x
	Event trigger			x

### 10.3.1 Output of a measured value



- Select the list item `Outputs\...\Values`.
- Press ENTER.

#### Output range

`Outputs\...\Output range`

- Select a list item.
  - 4...20 mA
  - Other range

• Press ENTER.

If `Other range` is selected, enter the values `Output MIN` and `Output MAX`.

The output range has to be > 10 % of the max. output value (`Output MAX`). If the output range is smaller, an error message will be displayed.

If the function `NAMUR NE43` is activated in the menu item `Outputs\Current output modes`, only the output range 4...20 mA applies.

#### Error output

`Outputs\...\Error value`

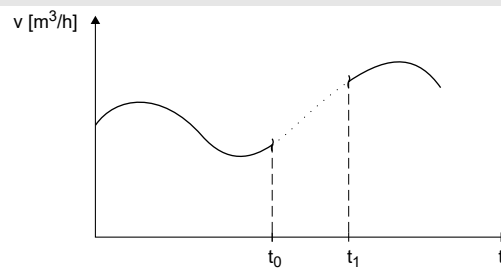
An error value can be defined which is output if the source item cannot be measured.

- Select a list item for the error output.
- Press ENTER.
- If `Other value` is selected or the function `NAMUR NE43` is activated, enter an error value. The value has to be outside the output range. If the entered value is not valid, an error message and the permissible range will be displayed.
- Press ENTER.

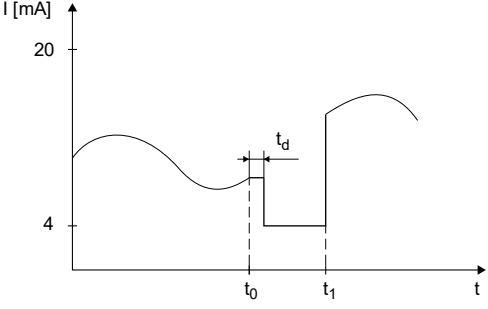
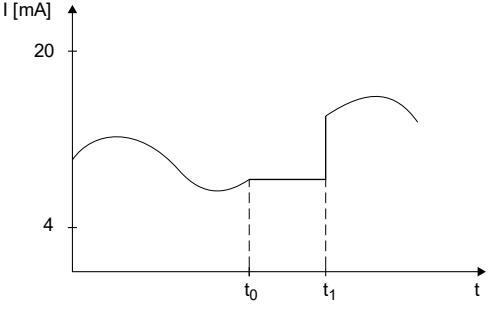
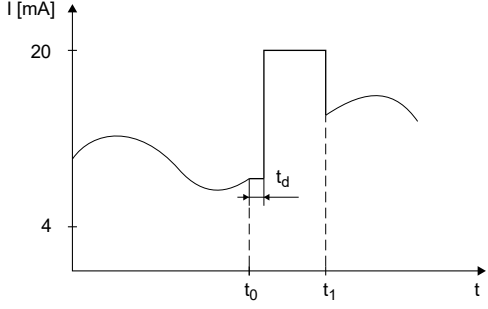
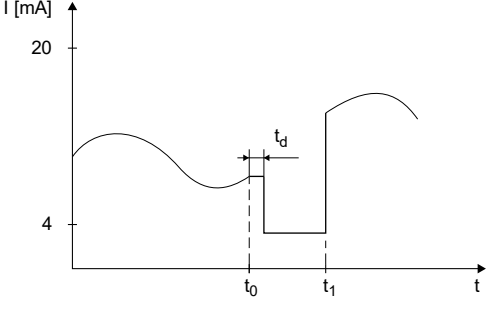
#### Example

source item: volumetric flow rate  
 output: current output  
 output range: 4...20 mA  
 error delay:  $t_d > 0$

The volumetric flow rate cannot be measured during the time interval  $t_0...t_1$ . The error value will be output.



Tab. 10.5: Examples for the error output (output range: 4...20 mA)

list item	output signal
4.0 mA	
Last value	
20.0 mA	
Other value error value = 3.5 mA	

### Measuring range

The sign of the measured value and the measuring range are determined.

```
Outputs\...\Measured values\Absolute value
```

- Select `Sign` if the sign of the measured values is to be considered for the output.
- Select `Absolute value` if the sign of the measured values is not to be considered for the output.

```
Outputs\...\Start of meas. range
```

- Enter the lowest expected measured value. The unit of measurement of the source item will be displayed.
- `Start of meas. range` is the value assigned to the value `Output MIN` of the output range.

```
Outputs\...\End of meas. range
```

- Enter the highest expected measured value. The unit of measurement of the source item will be displayed.
- `End of meas. range` is the value assigned to the value `Output MAX` of the output range.

### Terminal assignment

```
Outputs\...\Output info
```

The terminals for the connection of the output are displayed.

By pressing  or  further information is displayed.

- Press ENTER.

### Output function test

The function of the output can now be tested.

- Connect an external measuring instrument to the terminals of the installed output.

```
Outputs\...\Test signal
```

- Select `Yes` to test the output. Select `No` to display the next menu item.
- Press ENTER.

```
Outputs\...\Enter test value
```

- Enter a test value. It has to be within the output range.
- Press ENTER.

If the external measuring instrument displays the entered value, the output functions correctly.

- Select `Repeat` to repeat the test or `Finish` to display the next menu item.
- Press ENTER.

```
Outputs\...\Test measuring range
```

- Select `Yes` to test the assignment of the measured value to the output signal. Select `No` to display the next menu item.
- Press ENTER.

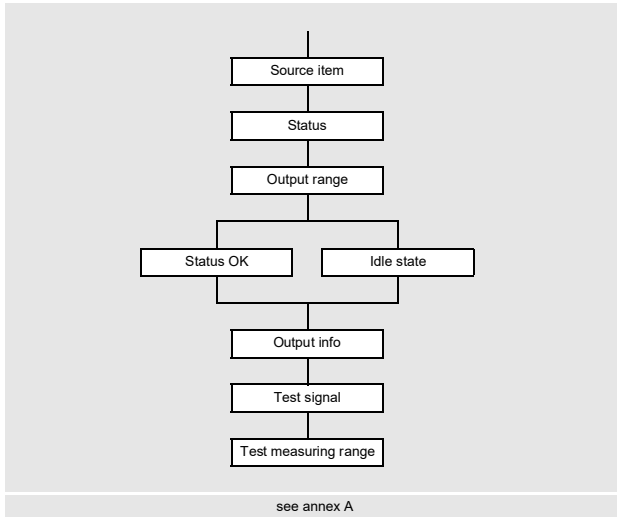
Outputs\...\Enter test value

- Select **Active** or **Passive** from the scroll list.
- Press **ENTER**.

If the external measuring instrument displays the value (min. output value for **Passive**, max. output value for **Active**), the output functions correctly.

- Select **Repeat** to repeat the test. Select **Finish** to display the next menu item.
- Press **ENTER**.

### 10.3.2 Output of a status/event value



- Select the list item **Outputs\...\Status**.
- Press **ENTER**.

#### Output range

Outputs\...\Output range

- Select a list item.
  - 4...20 mA
  - Other range
- Press **ENTER**.

If **Other range** is selected, enter the values **Output MIN** and **Output MAX**.

The output range has to be > 10 % of the max. output value (**Output MAX**). If the output range is smaller, an error message will be displayed. The next possible value will be displayed.

status value – status OK	event value – idle state
The status of the output signal is defined which is to be output when measuring a measured value.	The status of the output signal is defined which is to be output if no event occurs.
<ul style="list-style-type: none"> <li>• Select the value for status OK from the scroll list.</li> <li>• Press <b>ENTER</b>.</li> </ul>	<ul style="list-style-type: none"> <li>• Select the value for the idle state.</li> <li>• Press <b>ENTER</b>.</li> </ul>

#### Terminal assignment

Outputs\...\Output info

The terminals for the connection of the output are displayed.

By pressing or further information is displayed.

- Press **ENTER**.

### Output function test

The function of the output can now be tested.

- Connect an external measuring instrument to the terminals of the installed output.

```
Outputs\...\Test signal
```

- Select `Yes` to test the output. Select `No` to display the next menu item.
- Press `ENTER`.

```
Outputs\...\Enter test value
```

- Enter a test value. It has to be within the output range.
- Press `ENTER`.

If the external measuring instrument displays the entered value, the output functions correctly.

- Select `Repeat` to repeat the test or `Finish` to display the next menu item.
- Press `ENTER`.

```
Outputs\...\Test measuring range
```

- Select `Yes` to test the status of the output signal. Select `No` to display the next menu item.
- Press `ENTER`.

```
Outputs\...\Enter test value
```

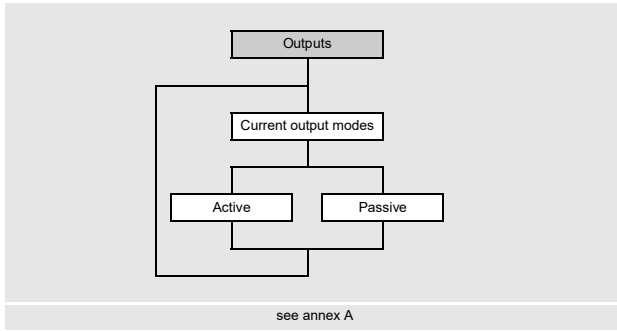
- Select a list item as test value.
- Press `ENTER`.

status value	event value
Status <code>OK</code> or Status <code>error</code> If the external measuring instrument displays the value (min. output value for Status <code>error</code> , max. output value for Status <code>OK</code> ), the output functions correctly.	Active or Passive If the external measuring instrument displays the value (min. output value for Passive, max. output value for Active), the output functions correctly.

- Select `Repeat` to repeat the test. Select `Finish` to display the next menu item.
- Press `ENTER`.



### 10.3.3 Operating mode for current outputs



If the transmitter has current outputs that can be operated actively or passively, it must be specified in which operating mode the current outputs are to operate.

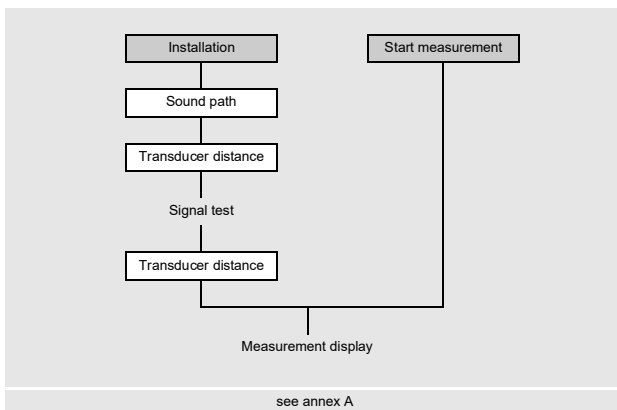
- Select the list item `Outputs` in the menu `Current output modes`.
- Press ENTER.

`Outputs\Current output modes`

- Select `Active` or `Passive` to operate the current outputs in the corresponding mode.
- Press ENTER.

The selected setting always applies to all available current outputs.

## 10.4 Start of measurement



Before starting the measurement, the measuring point has to be parameterized. If another measurement has already been performed using the same measuring point parameters, the measurement can be started immediately.

- Select the menu `Start measurement`.
- Press ENTER.

The measurement is started. The measured values are displayed.

In case parameters or the measurement arrangement have changed, the measurement has to be started via the menu `Installation`.

- Select the menu `Installation`.
- Press ENTER.

If the list item `2 meas. points (A|B)` is selected in the menu item `Parameters\Measuring point config.`, the following settings are queried for each measuring point.

#### Input of the sound path number

`Installation\Sound path`

- Enter the number of sound paths.
- Press ENTER.

#### Adjustment of the transducer distance

`Installation\Transducer distance`

The recommended transducer distance will be displayed. The transducer distance is measured between the inner edges of the transducers. In case of a measurement in diagonal arrangement on very small pipes, a negative transducer distance is possible.

#### Notice!

The accuracy of the recommended transducer distance depends on the accuracy of the entered pipe and fluid parameters.

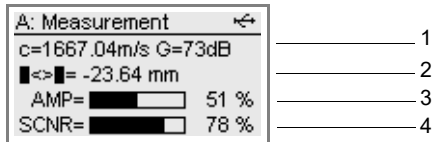
- Mount the transducers on the pipe and adjust the recommended transducer distance.
- Press ENTER.

The diagnostics window is displayed.

The amplitude of the received signal is displayed by bar graph AMP.

The bar graph SCNR shows the ratio of the useful signal an the correlated noise signal.

Fig. 10.1: Diagnostics window



- 1 – diagnostic value, selection with
- 2 – diagnostic value, selection with
- 3 – amplitude (bar graph)
- 4 – SCNR value (bar graph)

Tab. 10.6: Diagnostic values

	display <sup>(1)</sup>	explanation
line 1 of the display, scroll with	c, G	measured sound speed of the fluid and signal amplification
	SCNR	signal-to-correlated noise ratio
	SNR	signal-to-noise ratio
	Q	signal quality
	GAIN	signal amplification If the current signal amplification value exceeds the max. amplification, it is followed by →FAIL!.
line 2 of the display, scroll with	■<>■	recommended transducer distance
	SCNR	signal-to-correlated noise ratio
	SNR	signal-to-noise ratio
	Q	signal quality

<sup>(1)</sup> In order to avoid doubling, a value already displayed in one of the lines will be ignored in the other.

- In case of large diagnostic value deviations of the recommended limits, check if the entered parameters are correct or repeat the measurement at a different point on the pipe.
- Press ENTER.

Tab. 10.7: Recommended diagnostic limits

good measurement	measurement at limit	measurement not possible
SCNR > 30 dB (> 50 %)	20 dB ≤ SCNR ≤ 30 dB (0 % < SCNR ≤ 50 %)	SCNR < 20 dB (= 0 %)
SNR > 15 dB	0 dB ≤ SNR ≤ 15 dB	SNR < 0 dB
GAIN < 98 dB	98 dB ≤ GAIN ≤ 113 dB	GAIN > 113 dB

### Input of the transducer distance

Installation\Transducer distance

The recommended transducer distance is calculated on the basis of the measured sound speed. It is therefore a better approximation than the first recommended value which had been calculated on the basis of the parameters entered in the menu *Parameters*.

- Measure the adjusted transducer distance.
- Enter the measured transducer distance. The max. permissible difference to the recommended transducer distance must not be exceeded.
- Press ENTER.

The measurement is started. The measured values are displayed.

Tab. 10.8: Max. permissible deviation between the recommended and entered transducer distance

transducer frequency (3rd character of the technical type)	max. difference between the recommended and entered transducer distance [mm]	
	shear wave transducer	Lamb wave transducer
F	-	-60...+120
G	20	-45...+90
H	-	-30...+60
K	15	-20...+40
M	10	-10...+20
P	8	-5...+10
Q	6	-3...+5
S	3	-

## 10.5 Field calibration

The field calibration function allows a comparison between the actual and the set value of the physical quantity for analysis.

The field calibration can be carried out for each physical quantity for analysis selectable in the transmitter. Potential tolerances of pipe geometry and transducer installation have to be compensated by applying a sound speed offset. When sampling, the temperature and the sound speed are stored for each series of measured values. Up to 64 pairs of measured values per series of measured values are possible.

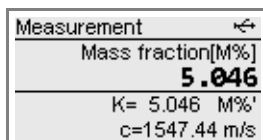
After laboratory evaluation of the samples, the set values are entered in the transmitter.

The transmitter calculates the correction of the average sound speed and stores it for all analyses.

### Measurement start

- Select the menu *Measurement*.
- Press ENTER until the measured values are displayed.

Fig. 10.2: Display of measured values



### Storing of calibration values

The sound speed and temperature measured during the sampling have to be stored.

- Keep CLR pressed. The menu item `Execute command` is displayed.

```
Measurement\Execute command\Sampling
```

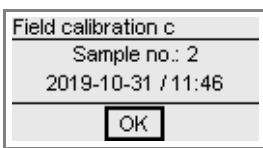
- Select the list item `Sampling`.
- Press ENTER.

The sampling number and the time of sampling are displayed.

Several calibration values can be stored per series of measured values. The calibration values will be stored in the transmitter until an auto calibration is carried out or the samples are deleted.

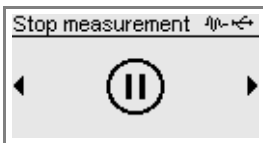
If a new measurement is started and new calibration values are stored, the calibration values of the previous series of measured values are overwritten.

Fig. 10.3: Display of sampling number and time



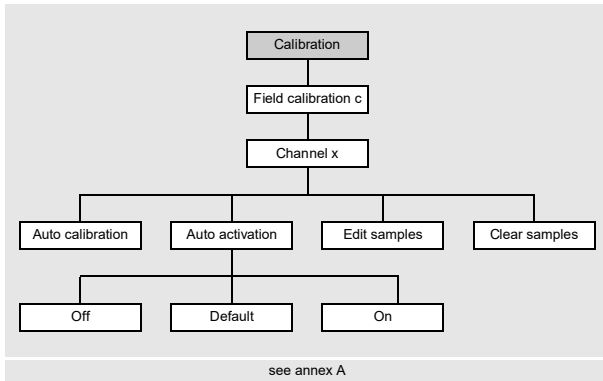
### Measurement stop

- Press and hold BRK to return to the main menu.
- Select the menu `Stop measurement`.



- Press ENTER.
- Select `Yes` to stop the measurement.
- Press ENTER.

The measurement is stopped. The main menu will be displayed.

**Input of the reference value**

- Select the menu `Calibration`.
- Press ENTER.
- Select the list item `Field calibration c`.
- Press ENTER.

Calibration\Field calibration c

- Select a channel for which a field calibration is to be carried out.
- Press ENTER.

This display will only be indicated if 1 meas. point (AB) or 2 meas. points (A|B) is selected for the configuration of the measuring point.

Calibration\Field calibration c

- Select the list item `Edit samples`.
- The sampling number and the time of sampling are displayed.
- Press ENTER.
- Enter the reference value of the sampling.
- Press ENTER.

**Notice!**

The reference quantity has to be identical with the physical quantity of the fluid selected in the menu `Parameters`.

**Auto calibration**

- Select the list item `Auto calibration`.
- Press ENTER.

The calibration is carried out.

**Notice!**

If several reference values were stored, e.g., when realizing diverse samplings with different concentrations, an average is made during the auto calibration which is valid for the entire operating range.

**Auto activation**

- Select the list item `Auto activation`.
- Select `On` if the offset of the sound speed obtained during the field calibration is to be used for the calculation of the physical quantity for analysis.
- Press ENTER.

For the verification of the offset, the auto activation can be switched off in case a service is required. In extreme cases, an error of the physical quantity for analysis is displayed.

- Select `Off` in case the offset of the sound speed is not to be used. The transmitter works with the measured sound speed without any correction.
- Press ENTER.

**Deletion of samples**

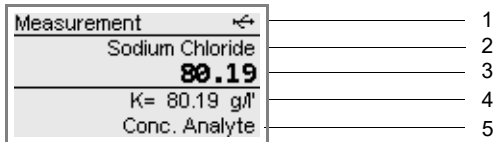
- Select the list item `Clear samples`.
- Select `Yes` to delete the samples.
- Press ENTER.

## 10.6 Display during the measurement

### 10.6.1 Measured value

The measured values are displayed during the measurement as follows:

Fig. 10.4: Display of measured values



- 1 – channel, menu, status indications
- 2 – display toggling between physical quantity for analysis and fluid
- 3 – measured value
- 4 – further physical quantities
- 5 – further physical quantities

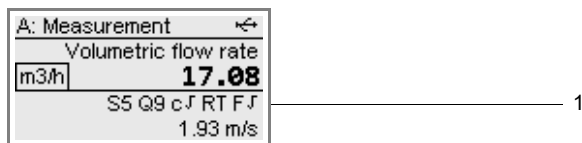
By pressing or , additional physical quantities can be displayed during the measurement.

- Press to display the measured values in line 5. The designation of the physical quantity is displayed in line 4 by pressing for several seconds.
- Press to display the measured values in line 4. The designation of the physical quantity is displayed in line 5 by pressing for several seconds.

### 10.6.2 Status line

Important information of the running measurement is summarized in the status line. The quality and precision of the measurement can be evaluated. Press during the measurement to scroll to the status line.

Fig. 10.5: Display of the status line



- 1 – status line

Tab. 10.9: Description of the status line

	value	explanation
S	0 ... 9	<b>signal amplitude</b>  < 5 % ... ≥ 90 %  values ≥ 3 are sufficient for the measurement
Q	0 ... 9	<b>signal quality</b>  < 5 % ... ≥ 90 %

Tab. 10.9: Description of the status line

	value	explanation
c		<b>sound speed</b> comparison of the measured and the expected sound speed of the fluid The expected sound speed is calculated from the fluid parameters.
	√	OK, is equal to the expected value
	↑	> 20 % of the expected value
	↓	< 20 % of the expected value
	?	unknown, cannot be measured
R		<b>flow profile</b> information about the flow profile based on the Reynolds number
	T	fully turbulent flow profile
	L	fully laminar flow profile
	↕	transition range between laminar and turbulent flow
	?	unknown, cannot be calculated
F		<b>flow velocity</b> comparison of the measured flow velocity with the flow limits of the system
	√	OK, the flow velocity is not within the critical range
	↑	the flow velocity is above the current limit
	↓	the flow velocity is below the current cut-off flow
	0	the flow velocity is within the limit range of the measuring method
	?	unknown, cannot be measured

### 10.6.3 Diagnostic values

The diagnostic values from Tab. 10.6 can be displayed during the measurement.

- Press ENTER to return to the diagnostics window.
- If the measurement is started on several measuring channels, press ENTER to change to the diagnostics window for measuring channel B.
- Press ENTER to return to the display of measured values.

### 10.6.4 Parameter

#### Transducer temperature

In the SuperUser and SuperUser ext. modes it is possible to display the transducer temperature during the measurement.


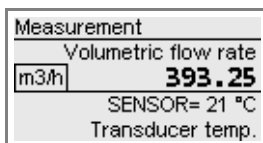
By pressing  during the measurement, it is possible to scroll to the transducer temperature display.

Fig. 10.6: Display of the transducer temperature



#### Notice!

If the compliance of the specified transducer temperature has to be monitored, an event trigger can be set on the temperature value.

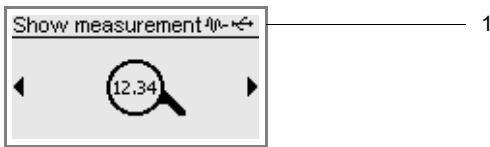
### Parameter settings

The parameter settings can be displayed during the measurement.

- Press BRK during the measurement.


The transmitter returns to the main menu.

Fig. 10.7: Display of the main menu during the measurement



1 – status indication

The measurement is running in the background. The symbol  is displayed in the status indication.

- Press  or CLR to select the corresponding menu to display the parameters.

#### Notice!

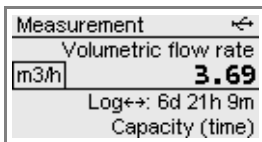
The parameters cannot be changed during the measurement. When attempting to change the parameters, the message `Read-only mode` will be displayed.  
The measurement has to be stopped in order to change the parameters.

### Information regarding the data logger

Information regarding the data logger can be displayed during the measurement.

- Press  until the following is displayed:

Fig. 10.8: Information regarding the data logger



If the ringbuffer is deactivated, line 4 indicates when the data logger will be full in case all settings are kept.

If the ringbuffer is activated, line 4 indicates how long measurement data can still be stored without losing older measurement data.

The information regarding the data logger can also be displayed using the function `Show parameters`.

```
Storage\Data logger\Data logger info
```

- Press BRK during the measurement.
- Select the list item `Data logger\Data logger info` in the menu `Storage`.
- Press ENTER.

The information regarding the data logger are displayed.

### 10.6.5 Change to the display of measured values

- Press and hold BRK to return to the main menu.
- Select the menu `Show measurement`.
- Press ENTER.

The measured values are displayed.



## 10.7 Execution of special functions

During a measurement, the keyboard can be used to carry out special functions.

Tab. 10.10: Special functions

key	function
BRK	display of scroll list in the menu item <code>Measurement</code>
ENTER	display of the diagnostic window
CLR	display of the menu item <code>Execute command</code>

- Press and hold CLR until the menu item `Execute command` is displayed.

### Totalizers

```
Measurement\Execute command\Totalizers
```

- Select the list item `Totalizers`.
- Press ENTER.

The following scroll list appears:

display	description
<code>Reset totalizers</code>	reset the totalizer to zero
<code>Freeze display</code>	display the measured value of the totalizer for several seconds
<code>Reset error</code>	reset the totalizer error
<code>Stop/clear totalizers</code>	stop totalizer and reset it to zero
<code>Start totalizers</code>	start totalizer

### Channel toggling

If `2 meas. points (A|B)` is selected for the configuration of the measuring point, the display of the measured values can be adapted as follows:

```
Measurement\Execute command\Channel toggling
```

- Select the list item `Channel toggling`.
- Press ENTER.

During the measurement, the measured values of measuring channel A or B can be displayed or it is toggled automatically between these measuring channels.

- Select a list item for measuring channel toggling.
- Press ENTER.

### Taking a snap

```
Measurement\Execute command\Take a snap
```

- Select the list item `Take a snap`.
- Press ENTER.

A snap is taken.

### Reset the event trigger to idle state

Measurement\Execute command\Clear alarms

- Select the list item `Clear alarms`.
- Press ENTER.

This display will only be indicated if an event trigger has been parameterized and at least one event trigger has also been triggered.

### Sampling

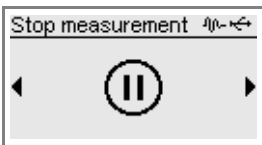
Measurement\Execute command\Sampling

- Select the list item `Sampling`.
- Press ENTER.

The sampling number and the time of sampling are displayed.

## 10.8 Stop of measurement

- Press and hold BRK to return to the main menu.
- Select the menu `Stop measurement`.



- Press ENTER.
- Select `Yes` to stop the measurement.
- Press ENTER.

The measurement is stopped. The main menu will be displayed.

## 11 Troubleshooting

### Danger!



#### Risk of explosion when using the measuring equipment in explosive atmospheres

This may result in personal or material damage or dangerous situations.

→ Observe the "Safety instructions for the use in explosive atmospheres".

### Warning!



#### Service works by unauthorized and unqualified personnel

This may result in personal or material damage or dangerous situations.

→ Any work on the transmitter has to be carried out by authorized and qualified personnel.

### Caution!



#### Safety and accident prevention regulations for electrical systems and equipment

Failure to observe these regulations may lead to severe injuries.

→ Observe the safety and accident prevention regulations for electrical systems and equipment.

### Warning!



#### Touching live parts

Electric shock or arc faults can lead to severe injuries. The measuring equipment can be damaged.

→ Prior to any work on the transmitter (e.g., installation, dismantling, connection, start-up), the transmitter has to be disconnected from the power supply.

### Caution!



#### Touching hot or cold surfaces

This may result in injuries (e.g., thermal damages).

→ Observe the ambient conditions at the measuring point during installation.

→ Wear the required personal protective equipment.

→ Observe the applicable rules.

If any problem appears which cannot be solved with the help of this operating instruction, contact our sales office and give a precise description of the problem. Specify the type, the serial number and the firmware version of the transmitter.

#### The display does not work at all or fails regularly.

- Check the contrast setting of the transmitter or enter the HotCode **555000** to set the display to medium contrast.
- Make sure that the correct voltage is available at the terminals. The destined transmitter voltage is indicated on the nameplate below the outer right terminal strip.
- If the power supply is OK, the transducers or an internal component of the transmitter are defective. The transducers and the transmitter have to be sent to FLEXIM for repair.

#### An error is displayed in the status indication (symbol .

- Press BRK to return to the main menu.
- Select the menu item `Storage\Event log`.
- Press ENTER.

The error message list will be displayed.

**Date and time are wrong, the measured values are deleted when the transmitter is switched off.**

- If the date and the time are reset or wrong or the measured values are deleted after the transmitter has been switched off and on again, the data backup battery has to be replaced. Send the transmitter to FLEXIM.

**An output does not work.**

- Make sure that the outputs are configured correctly. Check the function of the output. If the output is defective, contact FLEXIM.

**11.1 Problems with the measurement**

**A measurement is not possible because no signal is received. An interrogation point is displayed after the physical quantity. The LED lights red after starting the measurement.**

- Check whether the entered parameters are correct, especially the outer pipe diameter, the pipe wall thickness and the sound speed of the fluid. Typical errors: The circumference or the radius was entered instead of the diameter. The inner pipe diameter was entered instead of the outer pipe diameter.
- Check the number of sound paths.
- Make sure that the recommended transducer distance was adjusted when mounting the transducers.
- Make sure that an appropriate measuring point is selected and the number of sound paths was entered correctly.
- Try to establish a better acoustic contact between the pipe and the transducers.
- Enter a lower value for the number of sound paths. The signal attenuation might be too high due to a high fluid viscosity or deposits on the inner pipe wall.

**The measuring signal is received but no measured values can be obtained.**

- If the defined upper limit of the flow velocity is exceeded or the lower limit is below, UNDEF and after the physical quantity an exclamation point will be displayed. The measured values are marked as invalid. The limit has to be adapted to the measuring conditions.
- If no exclamation point is displayed, a measurement at the selected measuring point is impossible.

**The signal is lost during the measurement.**

- If there is no measuring signal after the pipe had been run empty and refilled, contact FLEXIM.
- Wait a moment until the acoustic contact is reestablished. The measurement can be interrupted due to a temporarily higher proportion of gas bubbles and solids in the fluid.

**The measured values substantially differ from the expected values.**

- Wrong measured values are often caused by wrong parameters. Make sure that the parameters entered for the measuring point are correct.

**11.1.1 Error messages**

display	reason	measures
NO SOUNDSP.	sound speed is invalid	check of the transducer coupling on the tube
NO TEMPERAT.	fluid temperature is invalid	check of the temperature probe connection
NO PRESSURE	fluid pressure is invalid	check of the pressure sensor connection
NO ANYOTHER	input quantity is invalid	check of all connections
NO FEEDBACK	internal intermediate result is invalid	check of the internal application data base by FLEXIM
T>TEMPBOUND	fluid temperature is greater than the upper limit	adaptation of the internal application data base by FLEXIM
T<TEMPBOUND	fluid temperature is less than the lower limit	adaptation of the internal application data base by FLEXIM
p>PRESSBOUND	pressure is greater than the upper limit	adaptation of the internal application data base by FLEXIM
p<PRESSBOUND	pressure is less than the lower limit	adaptation of the internal application data base by FLEXIM
c>SPEEDBOUND	sound speed is greater than the upper limit	<ul style="list-style-type: none"> <li>• field calibration according to section 10.5</li> <li>• adaptation of the internal application data base by FLEXIM</li> </ul>
c>SPEEDBOUND	sound speed is less than the lower limit	<ul style="list-style-type: none"> <li>• field calibration according to section 10.5</li> <li>• adaptation of the internal application data base by FLEXIM</li> </ul>

display	reason	measures
x>OTHERBOUND	further input quantities greater than the upper limit	adaptation of the internal application data base by FLEXIM
x<OTHERBOUND	further input quantities less than the lower limit	adaptation of the internal application data base by FLEXIM
RANGE FAILED	application error: output of the analysis value is not possible at the operating point	<ul style="list-style-type: none"> <li>• selection of the operating point according to the application</li> <li>• adaptation of the internal application data base by FLEXIM</li> </ul>
WN1=OUTOFBOUND	application error: output of the analysis value is not possible at the operating point	<ul style="list-style-type: none"> <li>• selection of the operating point according to the application</li> <li>• adaptation of the internal application data base by FLEXIM</li> </ul>
INVALID COEFFS	internal calculation error	check of the internal application data base by FLEXIM
NUMERIC FAIL	internal calculation error	check of the internal application data base by FLEXIM
CAN NOT CALC	internal calculation error	check of the internal application data base by FLEXIM
K=OUT OF BOUNDS	internal calculation error	check of the internal application data base by FLEXIM
K>BOUND	analysis value is greater than the upper limit	<ul style="list-style-type: none"> <li>• field calibration according to section 10.5</li> <li>• adaptation of the internal application data base by FLEXIM</li> </ul>
K<BOUND	analysis value is lower than the upper limit	<ul style="list-style-type: none"> <li>• field calibration according to section 10.5</li> <li>• adaptation of the internal application data base by FLEXIM</li> </ul>
K NOT FOUND	internal calculation error	check of the internal application data base by FLEXIM

## 11.2 Measuring point selection

- Make sure that the recommended min. distance to any disturbance is observed.
- Avoid measuring points with deposit formation in the pipe.
- Avoid measuring points in the vicinity of deformations and defects on the pipe as well as welds.
- Make sure the pipe surface at the selected measuring point is even.
- Measure the temperature at the measuring point and make sure that the transducers are suitable for this temperature.
- Make sure that the outer pipe diameter is within the measuring range of the transducers.
- When measuring on a horizontal pipe, the transducers have to be mounted laterally on the pipe.
- A vertical pipe always has to be filled at the measuring point and the fluid should flow upward.
- No gas bubbles should form (even bubble-free fluids can form gas bubbles when the fluid expands, e.g., upstream of pumps and downstream of great cross-section enlargements).

## 11.3 Maximum acoustic contact

- see section 7.2

## 11.4 Application-specific problems

**The measuring points of the physical quantities for analysis are outside the valid range**

- Check the entered value, see section 10.2.6.

**The entered pipe roughness is not appropriate**

- Check the entered value. Check the entered value considering the pipe condition.

**Measurements on pipes made of porous materials (e.g., concrete or cast iron) are only conditionally possible**

- Contact FLEXIM.

**The pipe lining may cause problems during the measurement if it is not firmly attached to the inner pipe wall or consists of an acoustically absorbing material**

- Try to measure on a section of the pipe free from lining.

**Highly viscous fluids strongly attenuate the ultrasonic signal**

- The measurement of fluids with a viscosity of  $> 1000 \text{ mm}^2/\text{s}$  is only conditionally possible.

**Gas bubbles or solids present in high concentration in the fluid scatter and absorb the ultrasonic signal and thus attenuate the measuring signal**

- A measurement is impossible if the value is  $\geq 10 \%$ . If the proportion is high, but  $< 10 \%$ , a measurement is only conditionally possible.

## 11.5 Significant deviations of the measured values

**A fluid with a wrong sound speed was selected.**

- If a fluid was selected whose sound speed does not match the actual one, a pipe wall signal can be mistaken for the measuring signal. The flow calculated by the transmitter on the basis of the wrong signal is very small or fluctuates around zero.

**There is gas in the pipe.**

- If there is gas in the pipe, the measured flow will be too high because both the liquid and the gas volume are measured.

**The defined upper limit of the flow velocity is too low.**

- All measured flow velocities that are greater than the upper limit will be ignored and marked as invalid. All quantities deviated from the flow velocity will also be indicated as invalid. If several correct measured values are ignored, the totalizer values will be too low.

**The entered cut-off flow is too high.**

- All flow velocities below the cut-off flow are set to zero. All derived quantities are also set to zero. The cut-off flow has to be set to a low value to be able to measure at low flow velocities (default: 2.5 cm/s).

**The entered pipe roughness is not appropriate.**

**The flow velocity of the fluid is outside the measuring range of the transmitter.**

**The measuring point is not appropriate.**

- Check whether a different measuring point provides better results. Because pipes are never rotationally symmetric and the flow profile is affected.

## 11.6 Problems with the totalizers

**The values of the totalizers are too small.**

- One of the totalizers has reached the upper limit and has to be reset to zero manually.

**The sum of the totalizers is not correct.**

- The sum of both totalizers (throughput  $\Sigma Q$ ) transmitted via an output is not valid after one of the totalizers has overflowed for the first time.

**An interrogation point is displayed after the value of the totalizer.**

- The measurement was temporarily impossible, therefore the totalizer value can be wrong.

## 12 Maintenance and cleaning

### Danger!



#### **Risk of explosion when using the measuring equipment in explosive atmospheres**

This may result in personal or material damage or dangerous situations.

→ Observe the "Safety instructions for the use in explosive atmospheres".

### Warning!



#### **Service works by unauthorized and unqualified personnel**

This may result in personal or material damage or dangerous situations.

→ Any work on the transmitter has to be carried out by authorized and qualified personnel.

### Warning!



#### **Touching live parts**

Electric shock or arc faults can lead to severe injuries. The measuring equipment can be damaged.

→ Prior to any work on the transmitter (e.g., installation, dismantling, connection, start-up), the transmitter has to be disconnected from the power supply.

### Caution!



#### **Safety and accident prevention regulations for electrical systems and equipment**

Failure to observe these regulations may lead to severe injuries.

→ Observe the safety and accident prevention regulations for electrical systems and equipment.

### Caution!



#### **Touching hot or cold surfaces**

This may result in injuries (e.g., thermal damages).

→ Observe the ambient conditions at the measuring point during installation.

→ Wear the required personal protective equipment.

→ Observe the applicable rules.

## 12.1 Maintenance

The transmitter and the transducers are practically maintenance-free. In order to ensure security, the following maintenance intervals are recommended:

item	maintenance step	interval	measure
stainless steel housing • junction box • transducer mounting fixture	visual inspection for corrosion and damages	annually	cleaning
	visual inspection for contamination	annually or more frequently, depending on the ambient conditions	
aluminum housing • transmitter	visual inspection for contamination	annually or more frequently, depending on the ambient conditions	
transducers	check of the transducer coupling on the pipe	annually	replacement of coupling foil, if necessary
O-rings	visual inspection for fissures	annually	see section 12.4
transmitter	check for firmware updates	annually	update, if necessary
transmitter	functional test	annually	reading of measured and diagnostic values
transmitter and transducers	calibration	-	see section 12.3

## 12.2 Cleaning

### Stainless steel housing

- Clean the housing with a soft cloth and care and cleaning spray for stainless steel.

### Aluminum housing

- Clean the housing with a soft cloth. Do not use detergents.

### Transducers

- Remove traces of coupling compound from the transducers with a soft paper towel.

## 12.3 Calibration

If installed as recommended in an appropriate location, used cautiously and serviced conscientiously, no troubles should appear.

The transmitter has been calibrated at factory and, usually, a recalibration is not necessary.

A recalibration is recommended if:


- the contact surfaces of the transducers show visible wear
- the transducers were used for a prolonged period at high temperatures (several months > 130 °C for normal transducers or > 200 °C for high temperature transducers)

In order to realize a recalibration under reference conditions, either the transmitter, the transducers or both have to be sent to FLEXIM.



## 12.4 Examination of the O-ring

**Danger!**

 **Risk of explosion when using the transmitter in explosive atmospheres**  
This may result in personal or material damage or dangerous situations.  
→ The O-rings form part of the ignition protection and have to ensure tightness of the housing to guarantee explosion protection.

The O-rings on the transmitter and on the cable glands have to be checked for possible damages regularly and each time the housing is opened. Porous or damaged O-rings have to be replaced. Cable glands with defective O-rings have to be replaced.

Use original spare parts only. Store the O-ring replacement in a hermetically sealed and dark place.

### Housing with increased safety

Defective O-rings have to be replaced.

**Important!**

O-rings of increased safety housings may be replaced by qualified FLEXIM personnel only.

Fig. 12.1: Transmitter with aluminum housing

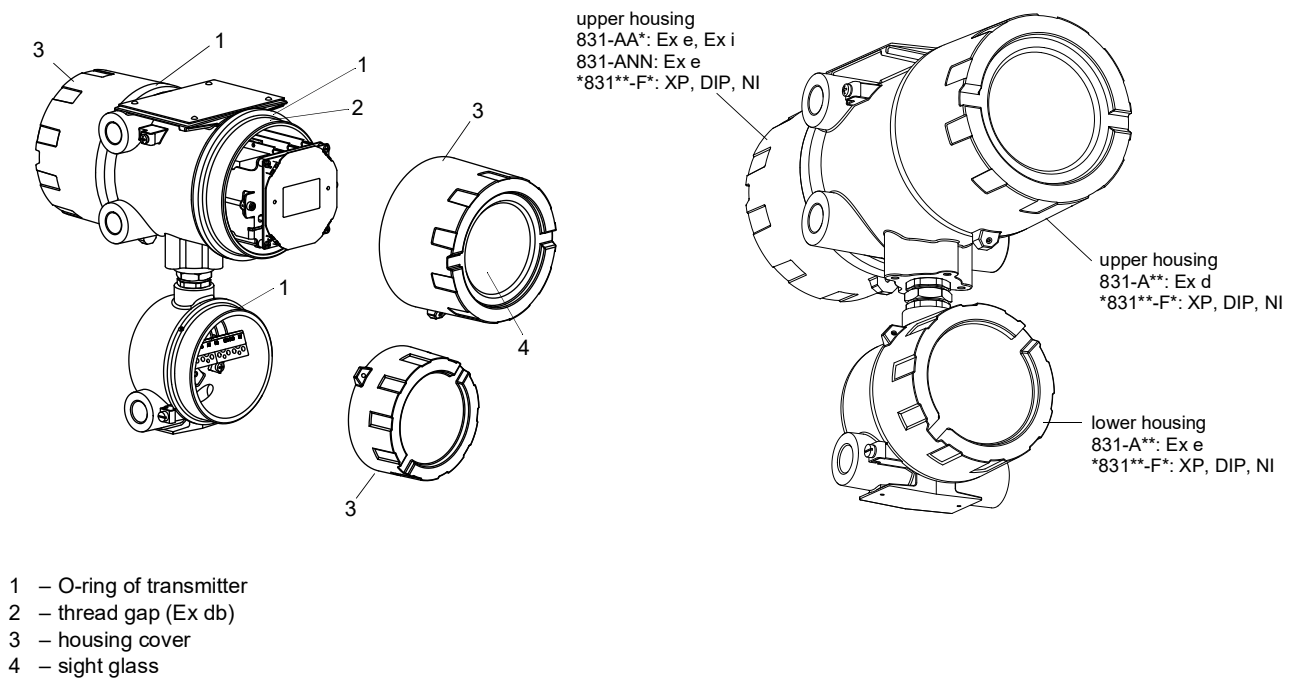
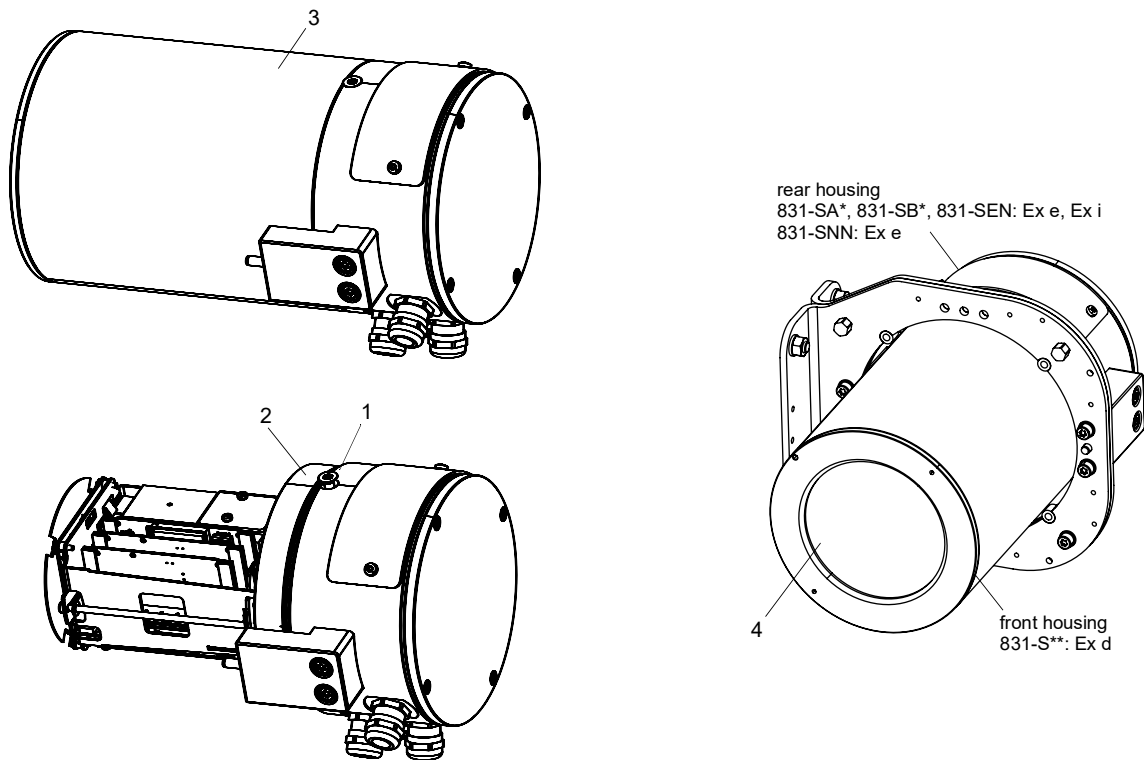


Fig. 12.2: Transmitter with stainless steel housing



- 1 – O-ring of the transmitter
- 2 – thread gap (Ex db)
- 3 – housing cover
- 4 – sight glass

## 12.5 Examination of the thread on the flameproof enclosure housing

<b>Danger!</b>	
	<p><b>Risk of explosion when using the transmitter in explosive atmospheres</b>                  This may result in personal or material damage or dangerous situations.</p> <p>→ In order to maintain ignition protection, the thread gap of the flameproof enclosure housing has to meet the specifications of the manufacturer. Damages or changes on the thread are not permitted.</p>

The thread of the housing cover ensures a flameproof thread gap. Before closing the housing, the thread has to be checked for damages. Housings with damaged threads have to be replaced.

## 12.6 Examination of housing and sight glass

<b>Danger!</b>	
	<p><b>Risk of explosion when using the transmitter in explosive atmospheres</b>                  This may result in personal or material damage or dangerous situations.</p> <p>→ In order to ensure ignition protection, the housing and the sight glass have always to comply with the regulations.</p>

Modifications on the housing must only be realized by FLEXIM. The housing and the sight glass must be regularly checked for damages. Cracked or scratched sight glasses or damaged housings have to be replaced by FLEXIM personnel immediately.

## 13 Dismounting and disposal

### Danger!



#### Risk of explosion when using the measuring equipment in explosive atmospheres

This may result in personal or material damage or dangerous situations.

→ Observe the "Safety instructions for the use in explosive atmospheres".

### Warning!



#### Installation, connection and start-up by unauthorized and unqualified personnel

This may result in personal or material damage or dangerous situations.

→ Any work on the transmitter has to be carried out by authorized and qualified personnel.

### Warning!



#### Touching live parts

Electric shock or arc faults can lead to severe injuries. The measuring equipment can be damaged.

→ Prior to any work on the transmitter (e.g., installation, dismantling, connection, start-up), the transmitter has to be disconnected from the power supply.

### Caution!



#### Safety and accident prevention regulations for electrical systems and equipment

Failure to observe these regulations may lead to severe injuries.

→ Observe the safety and accident prevention regulations for electrical systems and equipment.

### 13.1 Dismounting

Dismounting is carried out in reverse order to the installation.

### 13.2 Disposal

The measuring equipment has to be disposed of in accordance with the applicable regulations.

### Important!

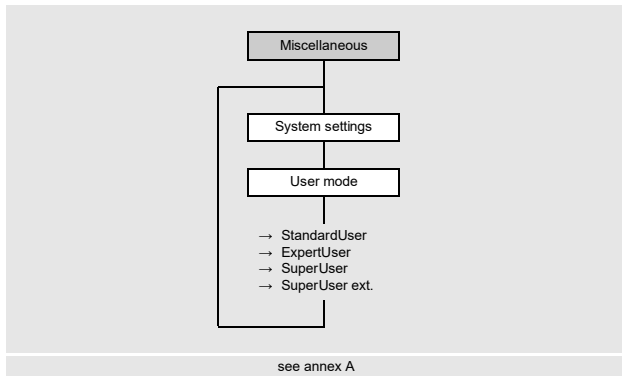
#### Proper disposal of components of the transmitter and accessories that are no longer required avoids environmental damage and conserves resources.

Depending on the material, the corresponding parts have to be disposed of in residual or special waste or recycled in accordance with the applicable regulations.

Batteries must be disposed of separately from electrical or electronic equipment. For this purpose, remove the batteries from the device and take them to the designated disposal system.

The components are taken back free of charge by FLEXIM in accordance with national regulations. Contact FLEXIM.

## 14 User modes



The user modes allow extended diagnostics of signals and measured values as well as the definition of additional parameters adapted to the application.

The following user modes can be selected:

- StandardUser
- ExpertUser
- SuperUser
- SuperUser ext.

Depending on the selected user mode, different menu items are displayed within the menu Calibration and the menu item Miscellaneous\Special settings:

Tab. 14.1: Menu items of the user modes

menu item	StandardUser	ExpertUser	SuperUser	SuperUser ext.	default
in menu item Miscellaneous\Special settings					
Pig detection			x	x	Off
Turbulence mode	x	x	x	x	Off
Max. gain		x	x	x	Off
Pipe signal detection		x	x	x	On
in menu Calibration					
Cut-off flow	x	x	x	x	On
Flow velocity limit		x	x	x	Off
LWT pipe wall calibr.			x	x	Off
Linear calibration			x	x	Off
Profile correction		x	x	x	On
Weighting factor			x	x	Off
Multi-point calibration (if enabled in Miscellaneous\ Measurement\Measurement settings)	x	x	x	x	
as list item in menu item Outputs\...\Source item\Diagnostic values					
Transducer temp.			x	x	
Transd. temp. violat.			x	x	
as source item during channel-based parametrization in menu Outputs					
Extended diagnostics			x	x	

### User mode selection

Miscellaneous\System settings\User mode

- Select the menu item User mode.
- Press ENTER.
- Select a list item.
- Press ENTER.

## 14.1 StandardUser mode

In the StandardUser mode, all measurements can be carried out for the corresponding application. At the first start-up the transmitter operates in the StandardUser mode.

### 14.1.1 Turbulence mode

In the presence of high turbulence, i.e., high Reynolds numbers or disturbed flow profiles due to short inlet and outlet lengths, there are large fluctuations in the transit time of the ultrasonic signals, resulting in poor signal quality (e.g., reduction in signal amplitude, increase in gain). An unstable measurement with frequent signal losses and diagnostic values  $\text{VariAmp} > 5\%$  indicate strong turbulence. Here it can be helpful to activate the turbulence mode.

#### Requirement for a measurement with activated turbulence mode

- The SNR has to be  $> 15$  dB with deactivated turbulence mode.
- The signal gain with activated turbulence mode is min. 3 dB smaller than with deactivated turbulence mode. For this purpose, the signal gain must be measured in each case at flow velocities at the operating point where strong turbulence is suspected.

If these criteria are fulfilled, the specified measurement uncertainty can also be met with activated turbulence mode.

If they are not fulfilled, the measurement with deactivated turbulence mode is to be preferred.

```
Miscellaneous\Special settings\Turbulence mode
```

- Select the menu item `Special settings` in the menu `Miscellaneous`.
- Press ENTER until the menu item `Turbulence mode` is displayed.
- Select `On` to activate the turbulence mode. Select `Off` to deactivate it. Select `Default` if no customized inputs are to be made.
- Press ENTER.

### 14.1.2 Cut-off flow

The cut-off flow is a lower limit for the flow velocity. All measured flow velocities that are below the limit are set to zero.

The cut-off flow can depend on the flow direction.

```
Calibration\Cut-off flow
```

- Select the menu item `Calibration\Cut-off flow`.
- Press ENTER.
- Select `Off` if no value is to be entered for the cut-off flow.
- Select `Default` if no customized inputs are to be made (default:  $\pm 25$  mm/s).
- Select `Customized` to define the values of the cut-off flow for the positive and negative flow direction.
- Press ENTER.

```
Calibration\Cut-off flow\Customized\+Cut-off flow
```

All values of the flow velocity for the positive flow direction below this limit are set to zero.

- Enter the cut-off flow.
- Press ENTER.

```
Calibration\Cut-off flow\Customized\ -Cut-off flow
```

All values of the flow velocity for the negative flow direction (as absolute value) below this absolute limit are set to zero.

- Enter the cut-off flow as absolute value.
- Press ENTER.

### 14.1.3 Multi-point calibration

It is possible to enter a series of measured values in order to define a calibration curve for the flow velocity.

Record of a series of measured values:

- Start a measurement with the transmitter and a reference flowmeter.
- Gradually increase the value of the flow velocity. The measuring range of values has to be identical with the eventual operating range.
- Note or store the measured values.

Input of a series of measured values:

- Activate the multi-point calibration in the menu item `Miscellaneous\Measurement\Measurement settings`.
- Select the menu item `Multi-point calibration` in the menu `Calibration`.
- Press ENTER.

```
Calibration\Multi-point calibration
```

- Select `Yes` to define the calibration curve. Select `No` to measure without calibration.
- Press ENTER.

```
Calibration\Multi-point calibration\Calibration points
```

- Enter the number of pairs of measured values.
- Press ENTER.

```
Calibration\Multi-point calibration\Point x=act. value
```

- Enter the measured value of the transmitter.
- Press ENTER.

```
Calibration\Multi-point calibration\Point x=set value
```

- Enter the measured values of the reference flowmeter.
- Press ENTER.
- Repeat the input for all pairs of measured values.
- Press ENTER after each input.

```
Calibration\Multi-point calibration\Bidirectional use
```

- Select `Yes` to apply the calibration curve for negative flow velocities as well. Select `No` if it is not to be used for negative flow velocities.

## 14.2 ExpertUser mode

Some menu items that are not visible in the StandardUser mode are displayed.

### Notice!

The ExpertUser mode is intended for experienced users with advanced application knowledge. Changed parameters can affect the StandardUser mode and lead to wrong measured values or to a measurement failure when setting up a new measuring point.

### Notice!

Some of the defined parameters remain activated when switching to the StandardUser mode. These parameters are displayed but cannot be changed.

### 14.2.1 Profile correction

It is possible to select the following versions for the calculation of the fluid mechanic calibration factor  $k_{Re}$ :

- $k_{Re}$  1.0: profile correction (previous version)
- $k_{Re}$  2.0: improved profile correction (current version)
- $k_{Re}$  2.0 `disturb. corr.`: improved profile correction at non ideal inflow conditions for the positive flow direction (negative flow direction without disturbance correction, default)
- $k_{Re}$  2.0 `dist.corr.bidir.`: improved profile correction at non ideal inflow conditions for the positive and negative flow direction (automatic toggling of the profile correction depending on the flow direction)

The following steps are necessary to set the profile correction:

- selection of the profile correction version in the menu `Miscellaneous`

If  $k_{Re}$  2.0 `disturb. corr.` or  $k_{Re}$  2.0 `dist.corr.bidir.` is selected:

- selection of the disturbance in the menu `Parameters`
- input of the disturbance distance in the menu `Parameters`

#### Notice!

If  $k_{Re}$  2.0 `disturb. corr.` or  $k_{Re}$  2.0 `dist.corr.bidir.` has been selected, the transducers have to be mounted in reflection arrangement, X arrangement or displaced X arrangement to compensate cross-flow effects.

#### Selection of the version

```
Miscellaneous\Measurement\Measurement settings\Profile correction
```

- Select the menu item `Measurement\Measurement settings` in the menu `Miscellaneous`.
- Press ENTER until the menu item `Profile correction` is displayed.
- Select a list item (default: `kRe 2.0 disturb. corr.`).
- Press ENTER.

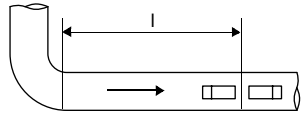
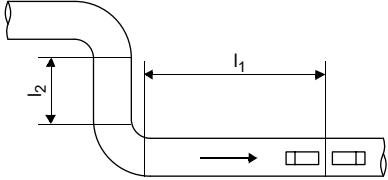
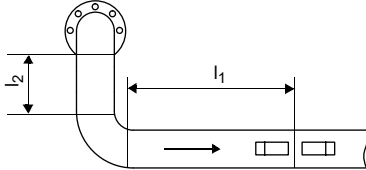
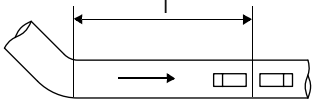
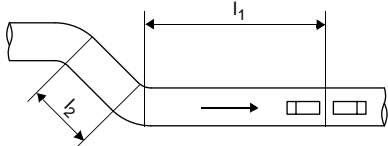
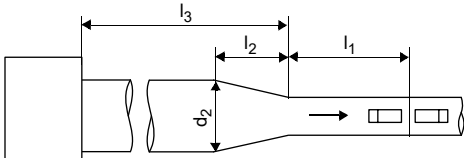
#### Selection of the disturbance

```
Parameters\Disturbance type
```

- Select a list item.
- Press ENTER.

If  $k_{Re}$  2.0 `disturb. corr.` or  $k_{Re}$  2.0 `dist.corr.bidir.` is selected, the disturbance parameters have to be entered.

Tab. 14.2: Disturbance parameters

disturbance type	parameter	description
90° elbow	Disturbance distance ( $l$ )	
90° double elbow	Disturbance distance ( $l_1$ ) Dist. between elbows ( $l_2$ )	
90° doub.elb. out of plane	Disturbance distance ( $l_1$ ) Dist. between elbows ( $l_2$ )	
45° elbow	Disturbance distance ( $l$ )	
45° double elbow	Disturbance distance ( $l_1$ ) Dist. between elbows ( $l_2$ )	
Reducer	Disturbance distance ( $l_1$ ) Reducer length ( $l_2$ ) Inlet outer diameter ( $d_2$ ) <b>additional with reducer with upstream disturbance</b> Add. disturb. distance ( $l_3$ ) Add. upstream disturb. (e.g., 90° elbow) upstream disturbance parameters	



### 14.2.2 Max. signal gain

In order to prevent disturbing and/or pipe wall signals (e.g., if the pipe has run empty) from being interpreted as useful signals, it is possible to define a max. signal gain.

If the signal gain is greater than the max. signal gain:

- the physical quantity cannot be determined and the measured value is marked as invalid
- a hash symbol will be displayed after the unit of measurement (in case of a normal error, an interrogation point is displayed)

```
Miscellaneous\Special settings\Max. gain
```

- Select the menu item `Special settings` in the menu `Miscellaneous`.
- Press ENTER until the menu item `Max. gain` is displayed.
- Select `Off` if no limit of the signal gain is to be used.
- Select `Default` if no customized inputs are to be made.
- Select `Customized` to define a limit for the max. gain.
- Press ENTER.
- Enter a value for the max. signal gain.
- Press ENTER.

### 14.2.3 Pipe signal detection

When evaluating the plausibility of the signal, it is checked whether the sound speed is within a defined range. The absolute threshold of the fluid sound speed used is calculated from the greatest of the following values:

- absolute threshold, default value: 1848 m/s
- value of the sound speed curve of the fluid at the operating point plus relative threshold, default relative threshold: 200 m/s

```
Miscellaneous\Special settings\Pipe signal detection
```

- Select the menu item `Special settings` in the menu `Miscellaneous`.
- Press ENTER until the menu item `Pipe signal detection` is displayed.
- Select `Off` to measure without pipe signal detection.
- Select `Default` if no customized inputs are to be made and the default values are to be used.
- Select `Customized` to define the values of the pipe signal detection.
- Press ENTER.

```
Miscellaneous\Absolute threshold
```

- Enter the value of the absolute threshold.
- Press ENTER.

```
Miscellaneous\Relative threshold
```

- Enter the value for the relative threshold.
- Press ENTER.

### Example

absolute threshold: 2007 m/s

relative threshold: 600 m/s

value of the sound speed curve at the measuring point: 1546 m/s

As  $1546 \text{ m/s} + 600 \text{ m/s} = 2146 \text{ m/s}$  is greater than the absolute value 2007 m/s, this value will be used as the absolute limit of the sound speed when the plausibility of the signal is evaluated.

### 14.2.4 Limit of the flow velocity

Single outliers caused by heavily disturbed surroundings can appear among the measured values of the flow velocity. If these outliers are not ignored, they will affect all derived physical quantities, which will be unsuitable for the integration (e.g., pulse outputs).

In the ExpertUser mode it is possible to enter a limit for the flow velocity.

It is possible to ignore all measured flow velocities higher or lower than the preset limit. In this case an error will be output.

Calibration\Flow velocity limit

- Select the menu item `Flow velocity limit` in the menu `Calibration`.
- Press `ENTER`.
- Select `Off` if no limit for the flow velocity is to be used.
- Select `Default` if no customized inputs are to be made.
- Select `Customized` to define a limit for the flow velocity.
- Press `ENTER`.

Calibration\+Flow velocity limit

- Enter a limit of the flow velocity for the measurement in flow direction.
- Press `ENTER`.

If the flow velocity is higher than this limit, it will be marked as invalid. The physical quantity cannot be determined. `UNDEF` will be displayed.

Calibration\ -Flow velocity limit

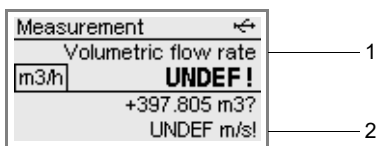
- Enter a limit of the flow velocity for the measurement against the flow direction.
- Press `ENTER`.

If the flow velocity is lower than this limit, it will be marked as invalid. The physical quantity cannot be determined. `UNDEF` will be displayed.

#### Notice!

If the limit of the flow velocity `+Flow velocity limit` is too low or `-Flow velocity limit` is too high, a measurement might be impossible because most of the measured values will be marked as invalid.

Fig. 14.1: Flow velocity outside the valid range



- 1 – physical quantity
- 2 – flow velocity

#### 14.2.4.1 Measuring point specific profile correction

In special cases a measuring point specific profile correction can be used.

Calibration\Profile correction

- Select the menu item `Profile correction` in the menu `Calibration`.
- Press ENTER.
- Select `Off` to deactivate the profile correction.
- Select `Default` to use the global setting from the menu item `Miscellaneous\Measurement settings\Profile correction` for the profile correction.
- Select `Customized` to use a measuring point specific profile correction.
- Press ENTER.

In case the list item `Customized` has been selected, the parameters of the measuring point specific profile correction will now be displayed. The parameters of the profile correction are preferably transmitted to the transmitter via the service interface but can also be entered here.

### 14.3 SuperUser mode and SuperUser ext. mode

Some menu items that are not visible in the `StandardUser` or `ExpertUser` mode are now displayed.

In the `SuperUser ext. mode` it is not possible to carry out any plausibility test of the entered parameters.

#### Notice!

The `SuperUser` and `SuperUser ext. mode` is intended for experienced users with advanced application knowledge. Changed parameters can affect the `StandardUser` mode and lead to wrong measured values or to a failure of the measurement when setting up a new measuring point.

#### Notice!

Some of the defined parameters remain activated when switching to the `StandardUser` mode. These parameters are displayed but cannot be changed.

#### 14.3.1 Pig detection

This function detects pigs inside the pipe. The pig detection can be activated/deactivated via the HotCode **007028** (default: deactivated).

Miscellaneous\Special settings\Pig detection

- Select the menu item `Special settings` in the menu `Miscellaneous`.
- Press ENTER until the menu item `Pig detection` is displayed.
- Select `Global settings` if the measurement is to be carried out using the global settings of the transmitter.
- If the pig detection is deactivated in the global device settings and the measurement is to be carried out with pig detection on a measuring channel, select `On` for this measuring channel.
- Press ENTER.
- If the pig detection is activated in the global device settings and the measurement is to be carried out without pig detection on a measuring channel, select `Off` for this measuring channel.
- Press ENTER.

### 14.3.2 Pipe wall calibration for Lamb wave transducers

The parameter record of a measuring channel for Lamb wave transducers has a calibration factor for the uncorrected flow velocity. This calibration factor depends on the pipe material.

The pipe wall calibration for Lamb wave transducers becomes effective if the following criteria are met when starting a measurement:

- Lamb wave transducers are used
- pipe wall calibration is activated
- a factor for the pipe material is defined and selected from the menu `Parameters`

The factor can be activated in the transmitter.

If the list item `1 meas. point (AB)` or `2 meas. points (A|B)` is selected in the menu item `Parameters\Measuring point config.`, the pipe wall calibration can be activated for each measuring point.

```
Calibration\LWT pipe wall calibr.
```

- Select the menu item `LWT pipe wall calibr.` in the menu `Calibration`.
- Press `ENTER`.
- Select `Off` to measure without pipe wall calibration.
- Select `Default` if no customized inputs are to be made.
- Select `On` to define the values for the pipe wall calibration.
- Press `ENTER`.

### 14.3.3 Linear calibration

It is possible to define a correction of the flow velocity:

$$v_{\text{cor}} = m \cdot v + n$$

where

- `v` – measured flow velocity
- `m` – factor, range: -2...+2
- `n` – offset, range: -12...+12 cm/s
- `vcor` – corrected flow velocity

All quantities derived from the flow velocity will be calculated with the corrected flow velocity.

#### Notice!

It will not be displayed during the measurement that the correction of the flow velocity is activated.

```
Calibration\Linear calibration
```

- Select the menu item `Linear calibration` in the menu `Calibration`.
- Press `ENTER`.
- Select `Off` to measure without linear calibration.
- Select `Default` if no customized inputs are to be made.
- Select `On` to define the values for the calibration.
- Press `ENTER`.

```
Calibration\Factor
```

- Enter the factor for the linear calibration.
- Press `ENTER`.

## Calibration\Offset

- Enter the offset for the linear calibration.
- Press ENTER.

**Example**

factor: 1.1

offset: -10 cm/s = -0.1 m/s

If a flow velocity  $v = 5$  m/s is measured, before the calculation of the derived quantities it will be corrected as follows:

$$v_{\text{cor}} = 1.1 \cdot 5 \text{ m/s} - 0.1 \text{ m/s} = 5.4 \text{ m/s}$$

**Example**

factor: -1

offset: 0

Only the sign of the measured values changes.

**14.3.4 Weighting factor**

The weighting factor is used for transducers installed on the same pipe in order to compensate differences between the measured values of the flow velocity of different channels.

The differences can be caused by profile deformations or cross-flows. These influences can be reduced by averaging the measured values of several channels. If a measuring channel has a temporary malfunction, the average will change abruptly. In order to avoid differences, all measuring channels have to be adjusted with the weighting factor.

The weighting factor for the measuring channel  $x$  results from the flow velocity  $v_x$  measured with measuring channel  $x$  and the average flow velocity of all measuring channels  $v_m$ :

$$w_x = \frac{v_m}{v_x}$$

The weighting factor can be activated in the transmitter.

If the list item 1 meas. point (AB), 2 meas. points (A|B) or Channel-based param. is selected in the menu item Parameters\Measuring point config., the weighting factor can be activated for each measuring point.

## Calibration\Weighting factor

- Select the menu item `Weighting factor` in the menu `Calibration`.
- Press ENTER.
- Select `Off` to measure without the weighting factor.
- Select `Default` if no customized inputs are to be made.
- Select `On` to define the weighting factor.
- Press ENTER.

**14.3.5 Transducer temperature and transducer temperature violation as diagnostic value**

When configuring outputs, the list items `Diagnostic values` and `Transducer temp.` are available in the menu item `Transd. temp. violat.` The diagnostic values can either be transmitted via the output of the transmitter or defined as source of the event trigger.

## Outputs\...\Source item

- Select `Diagnostic values` as source item.
- Press ENTER.
- Select a list item for the quantity to be output.
- Press ENTER.

Tab. 14.3: Source item Diagnostic values

source item	list item	output
Diagnostic values	Transducer temp.	average temperature of both transducers
	Transd. temp. violat.	status information: yes/no



### 14.3.6 Activation of measuring channels

Installation>Select channels

The measuring channels can be activated and deactivated.

- : the measuring channel is activated
- : the measuring channel is deactivated

This display will not be indicated if transmitter owns only 1 measuring channel or if the list item 1 meas. point (A) in the menu item Parameters\Measuring point config. is selected.

- Press  to select a channel.
- Press  to activate or deactivate the channel.

### 14.3.7 Channel-based parametrization

Parameters\Measuring point config.\Channel-based param.

- Select the list item Channel-based param. in the menu item Parameters\Measuring point config.
- Press ENTER.
- Select the measuring channel for which the parameters are to be entered.
- Press ENTER.

For the description of further inputs, see section 10.2.

The parameter input has be realized for each measuring channel.

### 14.3.8 Calculation channels

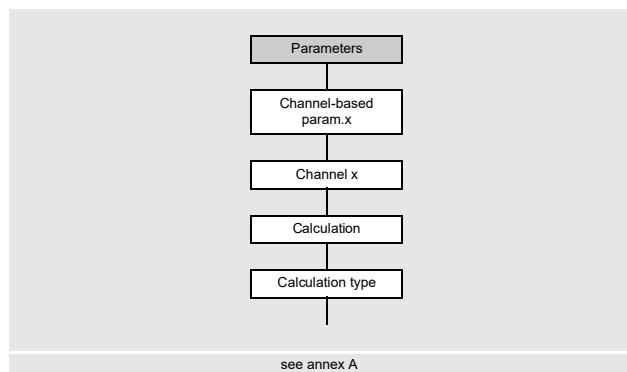
#### Notice!

Calculation channels are only available if the transmitter has more than one measuring channel.

In addition to the ultrasonic measuring channels, the transmitter has 2 virtual calculation channels Y and Z which calculate the measured values of all measuring channels.

The result of the defined calculation function is the measured value of the selected calculation channel. This measured value is equivalent to the measured values of a measuring channel. All operations which are possible with the measured values of a measuring channel (totalizing, storing, output, etc.) can also be done with the measured values of a calculation channel.

#### 14.3.8.1 Characteristics of the calculation channels



The measuring channels to be used for calculation and the calculation function have to be entered in the menu Parameters.

It is possible to define 2 cut-off flows for each calculation channel. The cut-off flow is not based on the flow velocity as is the case with the measuring channels. Instead, it is defined in the unit of measurement of the physical quantity selected for the calculation channel. During the measurement, the calculation values are compared with the cut-off values and set to zero, if necessary.

### 14.3.8.2 Parametrization of a calculation channel

Parameters\Measuring point config.\Channel-based param.\Channel Y

- Select the list item Channel-based param. in the menu item Parameters\Measuring point config.
- Press ENTER.
- Select a calculation channel (here: Channel Y).
- Press ENTER.

The current calculation function is displayed.

- Press ENTER.

#### Selection of the calculation type

Tab. 14.4: Calculation types

average (all chan. OK)	average (1 chan. OK)	special
mean with "AND" All measuring channels have to deliver a valid measuring value.  calculation function: $Y = (A + B) / 2$	mean with "OR" At least one measuring channel has to deliver a valid measuring value.  calculation function: $Y = (A + B) / n$	Each measuring channel selected for calculation can be assigned with a signed value.

Parameters\Measuring point config.\Channel-based param.\Channel Y\Calculation type

- Select a calculation type.
- Press ENTER.
- Assign a measuring channel to each source channel.
- Press ENTER after each selection.

#### Example

```

calculation type:          special
source channel 1:         Meas. Channel A
sign of source channel 1: |A|
source channel 2:         Meas. Channel B
sign of source channel 2: |B|
average:                  1/2 (AND)
linear correction:        Yes
factor:                   1.5 Factor
offset:                   2.0 m/s

calculation function:     1.5 * (|A|+|B|)/2 + 2 m/s
    
```

### Input of limits

It is possible to define limits for the physical quantity for each calculation channel. They are entered in the unit of measurement of the physical quantity selected for the calculation channel.

```
Parameters\...\Calculation type\+Upper limit
```

- Select `No limit` if the calculation channel has to output all positive values without upper limit.
- Press ENTER.
- Select `Set to limit` if the calculation channel has to output the limit when exceeding the upper limit.
- Press ENTER.
- Select `Set to error` if the calculation channel has to output an error (`UNDEF`) when exceeding the upper limit.
- Press ENTER.

```
Parameters\...\Calculation type\ -Upper limit
```

- Select `No limit` if the calculation channel has to output all negative values without upper limit
- Press ENTER.
- Select `Set to limit` if the calculation channel has to output the limit when falling below the upper limit.
- Press ENTER.
- Select `Set to error` if the calculation channel has to output an error (`UNDEF`) when falling below the upper limit.
- Press ENTER.

It is possible to define 2 cut-off flows for each calculation channel. They are entered in the unit of measurement of the physical quantity selected for the calculation channel.

```
Parameters\...\Calculation type\+Cut-off flow
```

- Enter a value for the positive cut-off flow.
- Press ENTER.

All positive calculated values below the limit are set to zero.

```
Parameters\...\Calculation type\ -Cut-off flow
```

- Enter a value for the negative cut-off flow as absolute value.
- Press ENTER.

All negative calculated values (as absolute value) below the limit are set to zero.

#### 14.3.8.3 Measurement with calculation channels

- Select the menu `Installation`.
- Press ENTER.

```
Installation\Select channels
```

- Activate the necessary channels. Calculation channels are activated or deactivated the same way as measuring channels.
- Press ENTER.

#### Notice!

If a measuring channel that is needed for an activated calculation channel is deactivated, no value is output for the calculation channel.



#### 14.3.8.4 Extended diagnostics

The extended diagnostic serves to detect errors on individual measuring channels. The values of the extended diagnostics can either be transmitted via the outputs of the transmitter or defined as source of the event triggers.

##### Assignment of an output

- Select the menu `Outputs`.
- Press ENTER.

```
Outputs\Current I1(-)
```

- Select the output to be assigned to the calculation channel (here: `Current I1(-)`).
- Press ENTER.

The scroll list contains all available outputs of the transmitter.

If the output has already been assigned to a channel, it is displayed as follows: `Current I1 (Y)`.

```
Outputs\Current I1\I1 Enable
```

- Select `Yes` to change the settings for an already assigned output or to assign a new output.
- Select `No` to cancel the assignment and to return to the previous menu item.
- Press ENTER.

##### Selection of the calculation channel

```
Outputs\Channel Y
```

- Select the calculation channel (here: `Channel Y`).
- Press ENTER.

##### Assignment of a source item

A source item has to be assigned to each selected output.

```
Outputs\Channel Y\...\Source item
```

- Select `Extended diagnostics as source item`.
- Press ENTER.
- Select a list item for the quantity to be output.
- Press ENTER.

Tab. 14.5: Source item Extended diagnostics

source item	list item	output
Extended diagnostics	Valid channels	percentage of physical channels, with valid measuring state
	$\Delta$ (Sound speed)	path difference of the sound speed
	$\Delta$ (Flow velocity)	path difference of the flow velocity
	$\Delta$ (Gain)	path difference of the signal gain
	$\Delta$ (Amplitude)	path difference of the signal amplitude
	$\Delta$ (Quality)	path difference of the signal quality
	$\Delta$ (SNR)	path difference of SNR
	$\Delta$ (SCNR)	path difference of SCNR
	$\Delta$ (VariAmp)	path difference of the amplitude variation
$\Delta$ (VariTime)	path difference of the transit time variation	

The list item `Valid channels` will not be displayed if a binary output was selected as output.

The status of a path difference is OK if a measured value for calculation is available on at least 2 measuring channels.

### Definition of an event trigger

```
Functions\Channel Y
```

- Select a calculation channel in the menu `Functions`, for which an event trigger is to be enabled (here: `Channel Y`).
- Press ENTER.
- Select the menu item `Event trigger`.
- Press ENTER.

```
Functions\Channel Y\Event trigger\Rx(-)
```

- Select the event trigger.

If the event trigger has already been enabled, it is displayed as follows: `R1 (+)`.

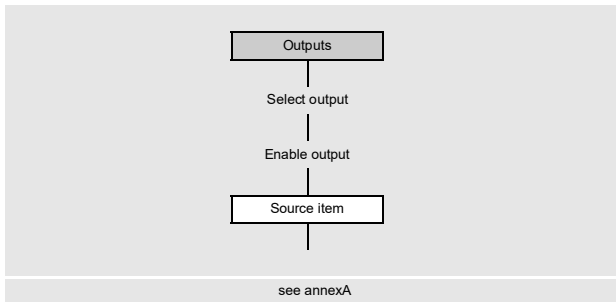
```
Functions\Channel Y\Event trigger\Rx Enable
```

- Select `Yes` to change the settings for an already assigned event trigger or to assign a new one.
- Select `No` to cancel the assignment and to return to the previous menu item.
- Press ENTER.

```
Functions\Channel Y\Event trigger\Rx Enable\Source item
```

- Select the source item `Extended diagnostics`.
- Press ENTER.
- Select the list item for which a condition is to be defined.
- Press ENTER.

## 15 Outputs



If the transmitter is equipped with outputs, they have to be configured. For the configuration of the analog output, see section 10.3.

The transmitter can also be equipped with digital outputs. A digital output combines the functions of the following outputs:

- binary output (output of binary switching conditions)
- pulse output (integrating output of quantities)
- frequency output (scaled output of flow quantities)

These functions depend on the selected physical quantity.

Tab. 15.1: Output via digital outputs

	source item	binary output		pulse output	frequency output
		status value	event value		
physical quantities	Sound speed	x			x
	Flow quantities	x			x
	Totalizers	x			x
	Pulse			x	
	Fluid properties	x			x
	Diagnostic values				x
	Miscellaneous	x			x
events	Event trigger		x		

### 15.1 Configuration of a digital output as binary output

A binary output switches if one of the following switching conditions is met:

- the measured value exceeds or falls below a limit
- the measured value lays within or outside a defined range
- a measurement is not possible
- an event occurs

#### Enabling the output

If the output has to be used, it has to be enabled.

```
Outputs\Digital output B1(-)
```

- Select the menu item `Outputs\Digital output B1(-)`.
- Press ENTER.

If the output has already been enabled, it is displayed as follows: `Digital output B1 (√)`.

```
Outputs\Digital output B1\Enable B1
```

- Select `Yes` to enable the output or to change the settings.
- Select `No` to cancel the enabling and to return to the previous menu item.
- Press ENTER.

**Assignment of an output**

Outputs\Digital output B1\Enable B1>Select meas. point

- Select the measuring point.
- Press ENTER.

This display will only be indicated if 2 meas. points (A|B) is selected for the configuration of the measuring point.

**Assignment of a source item**

A source item has to be assigned to each selected output.

Outputs\Source item

Tab. 15.2: Output of status values or event values

	source item	status value	event value
physical quantities	Flow quantities	X	
	Fluid properties	X	
	Miscellaneous	X	
	Sound speed	X	
	Totalizers	X	
events	Event trigger		X

- Select the source item.
- Press ENTER.
- Select the list item Status.
- Press ENTER.

If Event trigger is selected as source item, Idle state will be displayed as property of the binary output.

**15.1.1 Definition of the switching function for the status/event value**

- Select the switching function for the output of the status/event value.
- Press ENTER.

Tab. 15.3: Selection of the switching condition

property	switching function	description
Status OK (status value)	NC	<ul style="list-style-type: none"> <li>• valid measured value: binary output is closed</li> <li>• invalid measured value: binary output is open</li> </ul>
	NO	<ul style="list-style-type: none"> <li>• valid measured value: binary output is open</li> <li>• invalid measured value: binary output is closed</li> </ul>
Idle state (event value)	NO	<ul style="list-style-type: none"> <li>• event occurs: binary output is closed</li> <li>• event has not occurred yet: binary output is open</li> </ul>
	NC	<ul style="list-style-type: none"> <li>• event occurs: binary output is open</li> <li>• event has not occurred yet: binary output is closed</li> </ul>

If no measurement is carried out, all binary outputs are open (de-energized), independent of the set switching condition.

**Terminal assignment**

Outputs\Digital output B1\...\Output info

The terminals for the connection of the output are displayed.

By pressing  or  further information is displayed.

- Press ENTER.

**Output function test**

The function of the output can now be tested.

- Connect a multimeter to the output.

Outputs\...\Test signal B1

- Select **Yes** to test the output. Select **No** to display the next menu item.
- Press ENTER.

Outputs\...\Enter test value B1

- Select a list item as test value.
- Press ENTER.

Tab. 15.4: Output function test – signal

list item	description
NC	<ul style="list-style-type: none"> <li>• binary output is energized</li> <li>• measured value has to be low ohmic</li> </ul>
NO	<ul style="list-style-type: none"> <li>• binary output is de-energized</li> <li>• measured value has to be high ohmic</li> </ul>

- Select **Repeat** to repeat the test or **Finish** to display the next menu item.
- Press ENTER.

Outputs\...\Test measuring range B1

- Select **Yes** to test the status of the output signal. Select **No** to display the next menu item.
- Press ENTER.

Outputs\...\Enter test value B1

- Select a list item as test value.
- Press ENTER.

Tab. 15.5: Output function test – measuring range

list item	switching function	test value	description
Status OK (status value)	NC	Status OK	<ul style="list-style-type: none"> <li>• binary output is energized</li> <li>• measured value has to be low ohmic</li> </ul>
		Status error	<ul style="list-style-type: none"> <li>• binary output is de-energized</li> <li>• measured value has to be high ohmic</li> </ul>
	NO	Status OK	<ul style="list-style-type: none"> <li>• binary output is de-energized</li> <li>• measured value has to be high ohmic</li> </ul>
		Status error	<ul style="list-style-type: none"> <li>• binary output is energized</li> <li>• measured value has to be low ohmic</li> </ul>
Idle state (event value)	NC	Passive	<ul style="list-style-type: none"> <li>• binary output is energized</li> <li>• measured value has to be low ohmic</li> </ul>
		Active	<ul style="list-style-type: none"> <li>• binary output is de-energized</li> <li>• measured value has to be high ohmic</li> </ul>
	NO	Passive	<ul style="list-style-type: none"> <li>• binary output is de-energized</li> <li>• measured value has to be high ohmic</li> </ul>
		Active	<ul style="list-style-type: none"> <li>• binary output is energized</li> <li>• measured value has to be low ohmic</li> </ul>

- Select `Repeat` to repeat the test or `Finish` to display the next menu item.
- Press `ENTER`.

## 15.2 Configuration of a digital output as pulse output

A pulse output is an integrating output which emits a pulse when the volume or the mass of the fluid which has passed the measuring point reaches a certain value (pulse value).

The integrated quantity is the selected physical quantity. The integration is restarted as soon as the pulse is emitted. Before the activation, the digital output has to be configured.

```
Outputs\Digital output B1\Source item
```

- Select the menu item `Outputs\Digital output B1\Source item`.
- Press `ENTER`.

### Assignment of a source item

```
Outputs\Source item\Pulse
```

- Select `Pulse` as source item.
- Press `ENTER`.

```
Outputs\Pulse\Pulse +V
```

- Select a list item (here: `Pulse +V`).
- Press `ENTER`.

Tab. 15.6: Selection of the physical quantity

source item	list item	output
Pulse	Pulse  V	pulse without considering the sign of the volumetric flow rate
	Pulse +V	pulse for positive measured values of the volumetric flow rate
	Pulse -V	pulse for negative measured values of the volumetric flow rate
	Pulse  m	pulse without considering the sign of the mass flow rate
	Pulse +m	pulse for the positive measured values of the mass flow rate
	Pulse -m	pulse for the negative measured values of the mas flow rate

### 15.2.1 Pulse output by defining the pulse value

Outputs\Pulse output

- Select the list item `Pulse value`.
- Press ENTER.

The pulse output can be operated in 2 modes:

mode	description
Continuous pulses	<ul style="list-style-type: none"> <li>• output of a continuous pulse sequence, reproducing the temporal behavior of the corresponding flow quantity (volumetric flow rate, mass flow rate), at simultaneous totalizing</li> <li>• smallest pulse break = pulse width at max. pulse rate (pulse width is constant)</li> </ul>
Burst pulses	<ul style="list-style-type: none"> <li>• output of a discontinuous pulse sequence, reproducing the behavior of the totalizer</li> <li>• several pulses can arise intermittently with equidistant pulse distances (pulse break = pulse width)</li> <li>• serves exclusively for totalizing</li> <li>• max. pulse rate (depends on the pulse width that is constant)</li> </ul>

- Select a list item.
- Press ENTER.

Outputs\Pulse value

- Enter the pulse value.

The unit of measurement will be displayed according to the actual physical quantity.

When the counted physical quantity reaches the entered pulse value, a pulse will be transmitted.

- Press ENTER.

Outputs\Pulse width

- Enter the pulse width.

The range of possible pulse widths depends on the specification of the instrument (e.g., counter, PLC) that is to be connected to the output.

- Press ENTER.

### 15.2.2 Pulse output by defining pulses per unit

Outputs\Pulse output

- Select the list item `Pulses per unit`.
- Press ENTER.

Outputs\Output range

- Select a list item:
  - 0...1 kHz
  - 0...5 kHz
  - Other range
- Press ENTER.

If `Other range` is selected, enter a value for `Output MAX`.

Outputs\Pulses per unit

- Enter the number of pulses per unit.
- Press ENTER.

The unit of measurement will be displayed according to the actual physical quantity.

### 15.2.3 Output options

Outputs\Idle state

- Select the setting of the idle state:


setting	description
NO	The pulse output is energized if a pulse is emitted and de-energized if no pulse is emitted (idle state).
NC	The pulse output is de-energized if a pulse is emitted and energized if no pulse is emitted (idle state).

If no measurement is carried out, all pulse outputs are open (de-energized), independent of the set switching condition.

#### Terminal assignment

Outputs\...\Output info

The terminals for the connection of the output are displayed.

By pressing  or  further information is displayed.

- Press ENTER.



### Output function test

Outputs\...\Test signal B1

- Select **Yes** to test the status of the output signal. Select **No** to display the next menu item.
- Press **ENTER**.

Outputs\...\Enter test value B1

- Select a list item as test value.
- Press **ENTER**.

Tab. 15.7: Output function test – signal

output mode	test value	description
Pulses per unit	The entered test value has to be within the output range.	If the external measuring instrument displays the entered value, the output functions correctly.
Pulse value	NO	<ul style="list-style-type: none"> <li>• pulse output is de-energized</li> <li>• measured value has to be high ohmic</li> </ul>
	NC	<ul style="list-style-type: none"> <li>• pulse output is energized</li> <li>• measured value has to be low ohmic</li> </ul>

## 15.3 Configuration of a digital output as frequency output

The frequency output emits a square wave signal with a frequency which is proportional to the source item sent to the output.

Outputs\Digital output B1\Source item

- Select the menu item **Outputs\Digital output B1\Source item**.
- Press **ENTER**.

### Assignment of a source item

- Select one of the following source items:
  - Flow quantities
  - Totalizers
  - Fluid properties
  - Diagnostic values
  - Miscellaneous
  - Sound speed

Outputs\Flow quantities

- Select a list item (here: **Flow quantities**).
- Press **ENTER**.

Outputs\Volumetric flow rate

- Select a list item (here: **Volumetric flow rate**).
- Press **ENTER**.
- Select the list item **Values**.
- Press **ENTER**.

### Output range

Outputs\...\Output range

- Select a list item.

- 0...1 kHz
- 0...10 kHz
- Other range

- Press ENTER.

If `Other range` is selected, enter the values `Output MIN` and `Output MAX`.

### Error output

Outputs\...\Error value

An error value can be defined which is output if the source item cannot be measured.

- Select a list item for the error output.
- Press ENTER.

### Measuring range

The sign of the measured value and the measuring range are determined.

Outputs\...\Measured values\Absolute value

- Select `Sign` if the sign of the measured values is to be considered for the output.
- Select `Absolute value` if the sign of the measured values is not to be considered for the output.

Outputs\...\Start of meas. range

- Enter the lowest expected measured value. The unit of measurement of the source item will be displayed.
- `Start of meas. range` is the value assigned to the value `Output MIN` of the output range.

Outputs\...\End of meas. range

- Enter the highest expected measured value. The unit of measurement of the source item will be displayed.
- `End of meas. range` is the value assigned to the value `Output MAX` of the output range.

### Idle state

The idle state is the status of the output signal to be output when no measured value is measured.

- Select a list item for the idle state.
- Press ENTER.

### Terminal assignment

Outputs\...\Output info

The terminals for the connection of the output are displayed.

By pressing  or  further information is displayed.

- Press ENTER.

### Output function test

The function of the output can now be tested.

- Connect an external measuring instrument to the terminals of the installed output.

```
Outputs\...\Test signal
```

- Select **Yes** to test the output. Select **No** to display the next menu item.
- Press **ENTER**.

```
Outputs\...\Enter test value
```

- Enter a test value. It has to be within the output range.
- Press **ENTER**.

If the external measuring instrument displays the entered value, the output functions correctly.

- Select **Repeat** to repeat the test or **Finish** to display the next menu item.
- Press **ENTER**.

```
Outputs\...\Test measuring range
```

- Select **Yes** to test the assignment of the measured value to the output signal. Select **No** to display the next menu item.
- Press **ENTER**.

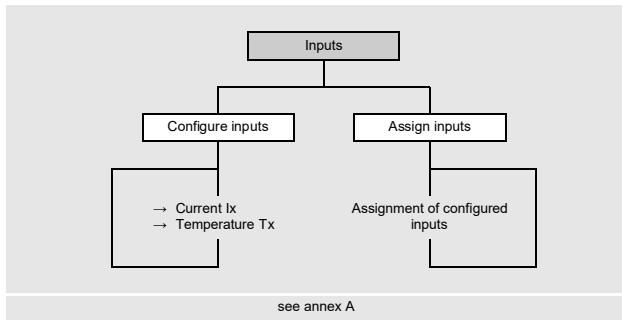
```
Outputs\...\Enter test value
```

- Enter a test value. It has to be within the output range.
- Press **ENTER**.

If the external measuring instrument displays the entered value, the output functions correctly.

- Select **Repeat** to repeat the test and **Finish** to finish it.
- Press **ENTER**.

## 16 Inputs



### 16.1 Configuration of an input

If the transmitter is equipped with inputs, they have to be configured.

- Select the menu item `Configure inputs` in the menu `Inputs`.
- Press `ENTER`.

```
Inputs\Configure inputs
```

- Select the input to be configured.
- Press `ENTER`.

The scroll list contains all available inputs.

- `Current Ix (-)`
- `Temperature Tx (-)`

If the input has already been configured, it is displayed as follows: `Current I1 (✓)`.

#### Enabling the input

To use the input, it has to be enabled (here: `Current I1`).

```
Inputs\Configure inputs\Current I1\I1 Enable
```

- Select `Yes` to enable an input or change the settings for an already enabled input.
- Select `No` to uninstall an already configured input and to return to the previous menu item.
- Press `ENTER`.

#### 16.1.1 Current inputs

When configuring the current inputs, the source item can now be selected and the input and measuring range is defined.

##### Selection of the source item

```
Inputs\...\Source item
```

- Select the source item.

##### Input range

```
Inputs\...\Input range
```

- Select a list item:

- `0...20 mA`
- `4...20 mA`
- `Other range`

- Press `ENTER`.

If `Other range` is selected, enter the values `Input MIN` and `Input MAX`.

## Measuring range

```
Inputs\...\Start of meas. range
```

- Enter the lowest expected measured value. The unit of measurement of the source item will be displayed. `Start of meas. range` is the physical quantity assigned to the lower limit of the input range (`Input MIN`).
- Enter the highest expected measured value. The unit of measurement of the source item will be displayed. `End of meas. range` is the physical quantity assigned to the higher limit of the input range (`Input MAX`).

## Input of an error value

```
Inputs\...\Error value
```

It is possible to define an error value which is output if the source item is not available.

- Select `Yes` if an error value is to be defined.
- Press `ENTER`.
- Enter the error value.
- Press `ENTER`.

### 16.1.2 Temperature inputs

When configuring a temperature input, the temperature probe can now be selected.

#### Selection of the temperature probe

```
Inputs\Configure inputs\Temperature Tx\Pt100/Pt1000
```

- Select the temperature probe:
  - `Pt100`
  - `Pt1000`

#### Activation of the temperature correction

A temperature correction (offset) can be set for each temperature input. This function is activated in the menu item `Miscellaneous\Dialogs/Menus/Tx temperature offset`.

```
Miscellaneous\Dialogs/Menus/Tx temperature offset
```

- Select the menu item `Miscellaneous\Dialogs/Menus`.
- Press `ENTER` until the menu item `Tx temperature offset` is displayed.
- Select `Yes` to activate the temperature correction. Select `No` to deactivate it.
- Press `ENTER`.

#### Notice!

The entered correction value for each temperature input will be stored and displayed when the temperature correction is activated again.

The correction value is automatically added to the measured temperature. It is used e.g., if the characteristic curves of the two temperature probes differ considerably from each other or a known and constant temperature gradient exists between the measured temperature and the actual temperature.

## Input of the temperature correction

Inputs\Temperature offset

- Select **Yes** to enter an offset for the temperature input.
- Press **ENTER**.
- Enter the offset for the temperature input.
- Press **ENTER**.

### 16.1.3 Definition of a switching condition

If a transmitter function is to be performed by remote control, a switching condition has to be defined.

Inputs\...\Trigger value

- Select **Yes** if a switching condition is to be defined. Select **No** to display the next menu item.
- Press **ENTER**.

Inputs\...\Function

- Select a list item:
  - **MAX (x>limit)**: the switching condition is met when the measured value exceeds the limit
  - **MIN (x<limit)**: the switching condition is met when the measured value falls below the limit
  - **ERR (x=fail)**: the switching condition is met when a measurement is not possible
  - **Within range**: the switching condition is met when the measured value is within the defined range
  - **Out of range**: the switching condition is met when the measured value is outside the defined range
- Press **ENTER**.

Inputs\...\Trigger value

- Enter the limit for the switching condition.
  - Press **ENTER**.
- This display will only be indicated if **MAX (x>limit)** or **MIN (x<limit)** is selected.

Inputs\...\Hysteresis

It is possible to define a hysteresis to avoid constant switching of the event trigger.  
The event trigger is activated when the measured value exceeds the upper limit and deactivated when it falls below the lower limit.

- Enter the value for the hysteresis.
- If zero is entered, no hysteresis is used.
- Press **ENTER**.
- This display will only be indicated if **MAX (x>limit)** or **MIN (x<limit)** is selected.

Inputs\...\Range center

- Enter the center of the switching range.
  - Press **ENTER**.
- This display will only be indicated if **Within range** or **Out of range** is selected.

Inputs\...\Range width

- Enter the width of the switching range.
  - Press **ENTER**.
- This display will only be indicated if **Within range** or **Out of range** is selected.

```
Inputs\...\Glitch interval
```

- Enter a time interval at the end of which the event trigger has to switch.
- Press ENTER.

#### 16.1.4 Terminal assignment

```
Inputs\...\Input info
```

The terminals for the connection of the input are displayed.

By pressing  or  further information is displayed.

- Press ENTER.

#### 16.1.5 Function test of the input

The function of the installed input can now be tested.

##### Analog input

- Connect the signal source to the input.

```
Inputs\...\I1 Test signal
```

- Select **Yes** to test the input signal. Select **No** to display the next menu item.
- Press ENTER.

```
Inputs\...\I1 Test signal\Current
```

- If the transmitter displays a value (here: **Current**), the input functions correctly.
- Press ENTER.
- Select **Repeat** to repeat the test or **Finish** to display the next menu item.
- Press ENTER.

```
Inputs\...\I1 Test measuring range
```

- Select **Yes** to test the assignment of the measured value to the input signal. Select **No** to display the next menu item.
- Press ENTER.

```
Inputs\...\I1 Test measuring range\Current
```

- If the transmitter displays a value (here: **Current**), the input functions correctly.
- Press ENTER.
- Select **Repeat** to repeat the test or **Finish** to display the next menu item.
- Press ENTER.
- Press **BRK** to return to the main menu.

## 16.2 Assignment of an input

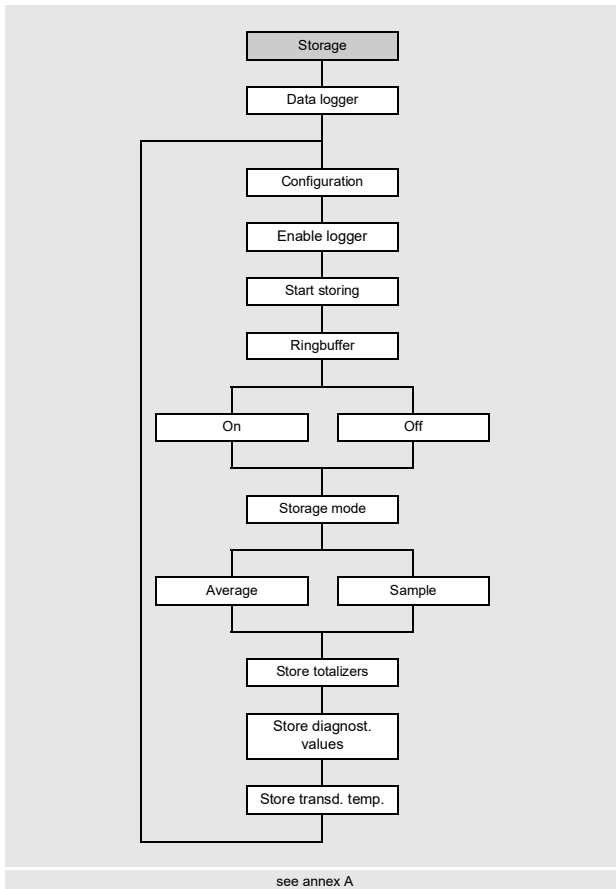
- Select the menu item `Assign inputs` in the menu `Inputs`.
- Press ENTER.

`Inputs\Assign inputs`

- Select a physical quantity in the scroll list.
- Press ENTER.
- Select the input via which the physical quantity is to be entered. Only configured inputs are displayed in the scroll list.
- Select the list item `No linkage` if no input is to be assigned to the physical quantity.
- Press ENTER.



## 17 Data logger



The transmitter has a data logger which stores the measured values during the measurement.

### Notice!

In order to store measured data, the data logger has to be configured.

The following data can be stored:

- date
- time
- measuring point number
- pipe parameters
- fluid parameters
- transducer data
- physical quantity
- unit of measurement
- measured values

Measured values transmitted via the outputs are also stored in the data logger.

If the pulse values are transmitted via an output, the corresponding flow quantity and the totalizer value are stored in the data logger. In case of absolute pulse values, the values of both totalizers are stored.

### 17.1 Configuration of the data logger

#### Enabling the data logger

```
Storage\Data logger\Configuration\Enable logger
```

- Select the menu item `Data logger\Configuration` in the menu `Storage`.
- Press ENTER.
- Select `Yes` to enable the data logger.
- Press ENTER.

#### Starting time

```
Storage\Data logger\Configuration\Start storing
```

It is possible to set a starting time if it is necessary to synchronize the storing of measured values for several transmitters.

- Select the menu item `Storage\Data logger\Configuration`.
- Press ENTER until the menu item `Start storing` is displayed.
- Select the moment at which to start the storing.
- Press ENTER.

display	description
Immediately	The storing starts immediately.
Full 5 minutes	The storing starts in the next full 5 minutes.
Full 10 minutes	The storing starts in the next full 10 minutes.
Full 15 minutes	The storing starts in the next full 15 minutes.
Full 30 minutes	The storing starts in the next full 30 minutes.
Full hour	The storing starts in the next full 60 minutes.
Event-based	The storing starts when a defined event occurs.

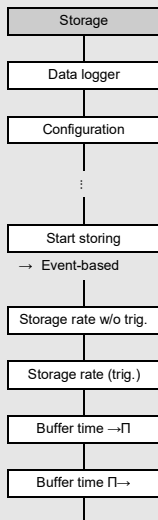
**Example**

actual time: 09:06 am  
 setting: Full 10 minutes  
 The storing starts at 09:10 am.

**Notice!**

Make sure that the time of all transmitters is synchronized.

**Event-based starting time**



see annex A

Storage\Data logger\Configuration\Start storing\Event-based

If it is necessary to start the storing of measured values at a particular event, select the list item *Event-based* as starting time.

The event is signaled via an input or event trigger. All configured inputs and event triggers are displayed in the scroll list.

- Select the input or the event trigger through which the event is to be signaled.
- Press ENTER.

Storage\Data logger\Configuration\Start storing\Event-based\Storage rate w/o trig.

The storage rate is the frequency to transmit or store measured values.

- Select in the scroll list a storage rate for storing the measured values in case the event does not occur.
- Press ENTER.
- Select *Off* if no measured values are to be stored, as long as the event does not occur.
- Press ENTER.

```
Storage\Data logger\Configuration\Start storing\Event-based\Storage rate (trig.)
```

- Select in the scroll list a storage rate for storing the measured values in case the event occurs.
- Press ENTER.

```
Storage\Data logger\Configuration\Start storing\Event-based\Buffer time ->Π
```

- Enter the time interval for the measured values to be stored before the event occurs.
- Press ENTER.

```
Storage\Data logger\Configuration\Start storing\Event-based\Buffer time Π->
```

- Enter the time interval for the measured values to be stored if the event is no longer activated.
- Press ENTER.

### Storage rate

```
Storage\Data logger\Configuration\Storage rate
```

The storage rate is the frequency to transmit or store measured values. If a start time for storing the measured values is defined, a storage rate has to be entered.

- Select the menu item `Storage\Data logger\Configuration`.
- Press ENTER until the menu item `Storage rate` is displayed.
- Select a storage rate from the scroll list.
- Press ENTER.
- If `Customized` is selected, enter the storage rate.
- Press ENTER.

### Ringbuffer

```
Storage\Data logger\Configuration\Ringbuffer
```

The data logger can be configured as linear logger or ringbuffer. If the ringbuffer is deactivated and the data logger is full, the storing of measured values will be terminated. It can be continued after clearing the data logger. If the ringbuffer is activated and the data logger is full, the oldest measured values will be overwritten. In ringbuffer mode, the remaining capacity of the data logger is displayed during the measurement, e.g.:

Log→ : 1d 6h 57m is displayed, if no measured values have been overwritten.

Log|↔| : 1d 6h 57m is displayed, if the old measured values have been overwritten.

- Select the menu item `Storage\Data logger\Configuration`.
- Press ENTER until the menu item `Ringbuffer` is displayed.
- Select `On` to activate the ringbuffer.
- Press ENTER.

If the ringbuffer is deactivated and the data logger is full, the storing of measured values will be terminated.

- Select `Off` to deactivate the ringbuffer.
- Press ENTER.

### Storage mode

Storage\Data logger\Configuration\Storage mode

- Select the menu item Storage\Data logger\Configuration.
- Press ENTER until the menu item Storage mode is displayed.
- Press ENTER.
- Select Sample to store the current measured value.
- Select Average if the average of all undamped measured values of a storage interval is to be stored.

#### Notice!

The storage mode does not affect the outputs.

#### Notice!

Storage mode = Average

The average of the physical quantity and of other quantities, e.g., the measured temperature, will be calculated.

If a storage rate < 5 s is selected, Sample is used.

If no average could be calculated over the complete storage interval, the value is marked as invalid.

### Further parameters for storing

It can be defined whether the following parameters are to be stored together with the measured values.

Tab. 17.1: Parameters for storing

display	description of the parameters
Store totalizers	values of the totalizers
Store diagnost. values	diagnostic values
Store transd. temp.	transducer temperature

- Select Yes to store the value. Select No in order not to store the value.

## 17.2 Deletion of the data logger

Storage\Data logger>Delete meas. values

- Select the menu item Storage\Data logger>Delete meas. values.
- Press ENTER.
- Select Yes to delete the measured values.
- Press ENTER.

### 17.3 Information regarding the data logger

Storage\Data logger\Data logger info

- Select the menu item Storage\Data logger\Data logger info.
- Press ENTER.

The following information regarding the data logger is displayed:

display	description
Activated	data logger is activated/deactivated This display will only be indicated if the measurement has started and the data logger is activated.
Full (date)	date on which the data logger will be full This display will only be indicated if the measurement has started and the ringbuffer is deactivated.
Full (time)	time at which the data logger will be full This display will only be indicated if the measurement has started, the ringbuffer is deactivated and the data logger is not full yet.
Overflow (date)	date from which the oldest measured values will be overwritten This display will only be indicated if the measurement has started, the ringbuffer is activated and the data logger is not full yet.
Capacity (time)	time of remaining data logger capacity This display will only be indicated if the measurement has started and the ringbuffer is activated.
Ringbuffer	ringbuffer is activated/deactivated
Meas. val. Series	number of stored series of measured values

## 18 Data transmission

The data is transmitted via the service interface (USB) or the process interface (option) of the transmitter.

### 18.1 Service interface

The service interface (USB) allows data to be transmitted from the transmitter to the PC using the FluxDiagReader program.

The FluxDiagReader program is used for further processing of the data.

It allows to:

- read measured values, setup settings and snaps from the transmitter and store them to files on the PC
- send files to FLEXIM to support the service
- monitor the measurement

For the operation of FluxDiagReader see the help function of this program.

#### Notice!

To transmit data from the PC to the transmitter, the program FluxDiag has to be used.

### 18.2 Process interface

The transmitter can be equipped with a process interface (e.g., Profibus, Modbus). For the connection of the process interface to the transmitter see supplement to operating instruction.

#### RS485 interface

```
Communication\RS485
```

- Select the menu item RS485 to change the settings of the transmission parameters.
- Press ENTER.

This display will only be indicated if the transmitter has an interface RS485.

default: 9600 bit/s, 8 data bits, no parity, 1 stop bit

- Set the transmission parameters in the scroll lists.
  - Baud (baud rate)
  - Data bits
  - Stop bits
  - Parity
  - Data flow control
- Press ENTER.

```
Communication\Info RS485
```

The terminals for the connection of the RS485 interface are displayed.

- Press ENTER.

## 19 Advanced functions

### 19.1 Totalizers

The total volume or total mass of the fluid at the measuring point can be determined.

There are 2 totalizers, one for the positive and the other for the negative flow direction. The unit of measurement used for totalizing corresponds to the volume or mass unit selected for the physical quantity.

The totalizer values can be displayed in the status line during the measurement.



- Press and hold CLR until the menu item `Execute command` is displayed:

```
Measurement\Execute command\Totalizers
```

- Select the list item `Totalizers`.
- Press ENTER.

The following scroll list appears:

display	description
Start totalizers	start and stop totalizer
Reset totalizers	reset the totalizer to zero
Freeze display	display the measured value of the totalizer for several seconds
Reset error	reset the totalizer error
Stop/clear totalizers	stop totalizer and reset it to zero

By pressing  or , the totalizers for the positive and the negative flow direction can be displayed during the measurement.

#### 19.1.1 Number of decimal places

The values of the totalizers can be displayed with up to 11 places, e.g., 74890046.03. The number of decimal places (max. 4) can be defined.

```
Storage\Totalizers
```

- Select the menu item `Totalizers` in the menu `Storage`.
- Press ENTER.
- Select `Automatic` if the number of decimal places has to be adjusted automatically.
- Press ENTER.

Low totalizer values will initially be displayed with 3 decimal places. If the values of the totalizers are higher, the number of decimal places will be reduced.

max. value	display
$< 10^6$	±0.000 ... ±999999.999
$< 10^7$	±1000000.00 ... ±9999999.99
$< 10^8$	±10000000.0 ... ±99999999.9
$< 10^{10}$	±1000000000 ... ±9999999999

- Select the number of decimal places.
- Press ENTER.

The number of decimal places is constant. The max. value of the totalizers decreases with an increasing number of decimal places.

decimal places	max. value	max. display
0	$< 10^{10}$	±9999999999
1	$< 10^8$	±99999999.9
2	$< 10^7$	±9999999.99
3	$< 10^6$	±999999.999
4	$< 10^5$	±99999.9999

**Notice!**  
 The number of decimal places and the max. value of the totalizers only affect the display.

### 19.1.2 Detection of long measurement failures

If there are no valid measured values during a long time interval, the totalizers remain unchanged. Behind this value an interrogation point will be displayed.

The time interval can be defined.

Storage\Totalizers\Totalizer timeout

- Select the menu item `Totalizers` in the menu `Storage`.
- Press ENTER until the menu item `Totalizer timeout` is displayed.
- Select `Default` if no customized inputs are to be carried out and the default value of 30 s is to be used.
- Press ENTER.
- Select `Customized` if the time interval is to be defined.
- Press ENTER.
- Enter the time interval.
- Press ENTER.

### 19.1.3 Totalizer overflow

The overflow behavior of the totalizers can be set:

#### Without overflow

- The totalizer value increases up to the internal limit of  $10^{38}$ .
- The values will be displayed as exponential numbers ( $\pm 1.00000E10$ ), if necessary. The totalizer can only be reset to zero manually.

#### With overflow

The totalizer will be automatically reset to zero when reaching  $\pm 9999999999$ .

Storage\Totalizers\Overflow behavior

- Select the menu item `Totalizers` in the menu `Storage`.
- Press ENTER until the menu item `Overflow behavior` is displayed.
- Select `Yes` to work with overflow. Select `No` to work without overflow.
- Press ENTER.

Independent of the setting, the totalizers can be reset to zero manually.

**Notice!**  
 The overflow of a totalizer influences all output channels, e.g., the data logger and the online transmission of data. The sum of both totalizers (throughput  $\Sigma Q$ ) transmitted via an output is no longer valid after one of the totalizers has overflowed for the first time.



#### 19.1.4 Totalizer behavior after the measurement is stopped

It is possible to define the totalizer behavior after the measurement is stopped or after a reset of the transmitter.

```
Storage\Totalizers\Keep totalizers
```

- Select the menu item `Totalizers` in the menu `Storage`.
- Press ENTER until the menu item `Keep totalizers` is displayed.
- Select `Yes` if the values of the totalizers are to be stored and used for the next measurement. Select `No` if the totalizers are to be set to zero.
- Press ENTER.

#### 19.1.5 Totalizer sum

The sum of the totalizers for both flow directions can be displayed in the status line during the measurement.

```
Storage\Totalizers>Show  $\Sigma Q$ 
```

- Select the menu item `Totalizers` in the menu `Storage`.
- Press ENTER until the menu item `Show  $\Sigma Q$`  is displayed.
- Select `Yes` to display the totalizer sum. Select `No` if it is not to be displayed.
- Press ENTER.

#### 19.1.6 Totalizer storing

The totalizer values can be stored now.

```
Storage\Data logger\Configuration
```

- Select the menu item `Storage\Data logger\Configuration`.
- Press ENTER until the menu item `Store totalizers` is displayed.
- Select `Yes`.
- Press ENTER.

## 19.2 Diagnosis with the help of the snap function

### 19.2.1 Configuration

By means of the snap function it is possible to store measuring parameters which are useful for the evaluation of measuring results or for diagnostic purposes. The snap function can be configured.

```
Storage\Snap\Configuration
```

- Select the menu item `Snap\Configuration` in the menu `Storage`.
- Press ENTER.

```
Storage\Snap\Configuration\Snap ringbuffer
```

- Select `Yes` to activate the snap ringbuffer.
- If the snap ringbuffer is activated, after taking the 51th snap, the oldest snaps are overwritten. If the ringbuffer is deactivated, up to 50 snaps can be stored.
- Press ENTER.

```
Storage\Snap\Configuration\Auto snap
```

- Select `Yes` if the auto snap has to be activated.
- If the auto snap is activated, snaps are automatically stored during a measurement failure.
- Press ENTER.

```
Storage\Snap\Configuration\Snap on R1
```

- Select `Yes` if an event that releases a snap has been parameterized for the event trigger R1.
- Press ENTER.

### 19.2.2 Taking a snap

```
Measurement\Execute command\Take a snap
```

- Press and hold CLR during the measurement until the menu item `Execute command` is displayed.
  - Select the list item `Take a snap`.
  - Press ENTER.
- A snap is taken.

### 19.2.3 Information concerning snaps

```
Storage\Snap\Snap info
```

- Select the menu item `Snap\Snap info` in the menu `Storage`.
- Press ENTER.

The following information is displayed:

display	description
Stored snaps	number of stored snaps
Snaps left	number of snaps that can still be stored
Ringbuffer	snap ringbuffer activated

### 19.2.4 Deletion of snaps

Storage\Snap>Delete snaps

- Select the menu item `Snap>Delete snaps` in the menu `Storage`.
- Press ENTER.
- Select `Yes` or `No`.
- Press ENTER.

### 19.3 Modification of the limit for the inner pipe diameter

It is possible to modify the lower limit of the inner pipe diameter for a given transducer type.

Miscellaneous\Pipe diameter MIN

- Select the menu item `Pipe diameter MIN` in the menu `Miscellaneous`.
- Press ENTER.

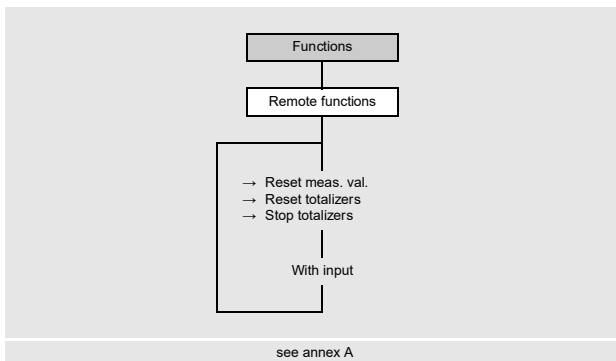
It is possible to define a min. pipe diameter for all relevant transducer frequencies.

- Select `Default` if no customized inputs are to be made and the default values are to be used.
- Press ENTER.
- Select `Customized` if a min. pipe diameter is to be defined.
- Press ENTER.
- Enter the pipe diameter in mm.
- Press ENTER.

#### Notice!

If a transducer is used below its recommended inner pipe diameter, a measurement might be impossible.

### 19.4 Remote functions



Remote functions can be triggered by triggerable analog inputs or event triggers.

In order to define an input for a remote function, it has to be enabled in the menu `Inputs`.

In order to define an event trigger for a remote function, it has to be enabled in the menu item `Functions\Event trigger`.

It is possible to trigger one or more of the following remote functions:

- reset of measured values
- reset of totalizers
- stop of totalizers

#### Triggerable inputs and event triggers

The remote function is triggered if the switching condition is met. The remote function is reset as soon as the switching condition is not longer met.

## 19.4.1 Configuration of the remote function

Functions\Remote functions

- Select the menu item `Remote functions` in the menu `Functions`.
- Press ENTER.

In the scroll list of the functions it is displayed whether, and if so, which input or event trigger is assigned to a function.

- Select a list item:
  - `Reset meas. val. (-)`
  - `Reset totalizers (-)`
  - `Stop totalizers (-)`

If an input or event trigger has already been assigned to this function, this is displayed as follows: `Reset meas. val. (R1)`.

- Press BRK to return to the previous menu.

### Reset of measured values

- Select the list item `Reset meas. val.`
- Press ENTER.

The measured value output simulates a reposing application for the duration of the signal. The actual measured flow velocity is ignored and the measured value is set to zero. All values of the physical quantity derived from the flow velocity also yield zero.

The transmitter continues the measurement if the condition of the remote function is no longer met.

- Select the input which is to be used to trigger the selected remote function.
- Press ENTER.
- Select `No linkage` in order to deactivate the remote function.
- Press ENTER.

### Reset of totalizers

- Select the list item `Reset totalizers.`
- Press ENTER.

The totalizers are set to zero. The totalizers are deactivated for the duration of the signal.

Totalizing starts at zero again, as soon as the condition for the remote function is no longer met.

When the totalizers are reset to zero with the remote function, the character `H` is displayed next to the measured value during the measurement.

- Select the input which is to be used to trigger the selected remote function.
- Press ENTER.
- Select `No linkage` in order to deactivate the remote function.
- Press ENTER.

### Stop of totalizers

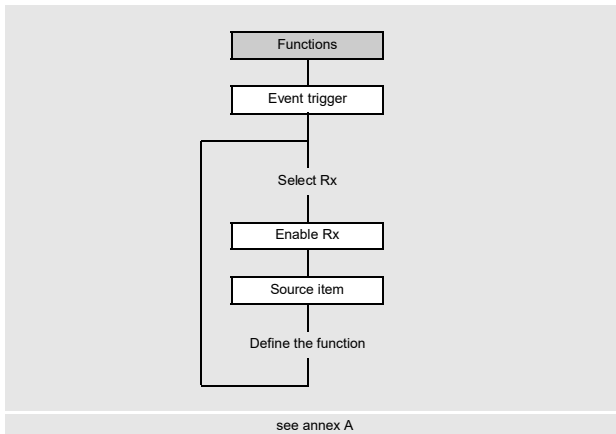
- Select the list item `Stop totalizers.`
- Press ENTER.

The totalizers are stopped for the duration of the signal.

Totalizing will be continued with the last registered totalizer value if the condition of the remote function is no longer met.

- Select the input which is to be used to trigger the selected remote function.
- Press ENTER.
- Select `No linkage` in order to deactivate the remote function.
- Press ENTER.

## 19.5 Event triggers



It is possible to configure max. 4 independent event trigger R1, R2, R3, R4.

The event triggers can be used, e.g., to:

- output information about the running measurement
- trigger special remote functions
- switch on/off pumps and motors

Functions\Event trigger

- Select the menu item `Event trigger` in the menu `Functions`.
- Press `ENTER`.

Functions\Event trigger\Rx (-)

- Select an event trigger.
- Press `ENTER`.

If an event trigger has already been installed, it is displayed as follows: `Rx (√)`.

Functions\Event trigger\Rx Enable

- Select `Yes` to change the settings for an already assigned event trigger or to assign a new one.
- Select `No` to cancel the assignment and to return to the previous menu item.
- Press `ENTER`.

Functions\Event trigger\Rx Enable\Source item

- Select the source item (physical quantity) for which a condition has to be defined.

Tab. 19.1: Source items

source item	list item	output
Flow/analysis	Mass fraction	physical quantity for analysis selected in the menu item <code>Select analysis quant.</code> (here: <code>Mass fraction</code> )
	Flow velocity	flow velocity
	Volumetric flow rate	volumetric flow rate
	Mass flow rate	mass flow rate

Tab. 19.1: Source items

source item	list item	output
Totalizers	Volume (+)	totalizer for the volumetric flow rate in positive flow direction
	Volume (-)	totalizer for the volumetric flow rate in negative flow direction
	Volume ( $\Delta$ )	difference of the totalizers for the positive and negative flow direction
	Mass (+)	totalizer for the mass flow rate in positive flow direction
	Mass (-)	totalizer for the mass flow rate in negative flow direction
	Mass ( $\Delta$ )	difference of the totalizers for the positive and negative flow direction
Fluid properties	Fluid temp.	fluid temperature
	Fluid pressure	fluid pressure
	Fluid density	fluid density
	Kin. viscosity	kinematic viscosity
	Dyn. viscosity	dynamic viscosity
	Norm. density	standardized density
Diagnostic values	Amplitude	signal amplitude
	Quality	signal quality
	SNR	signal-to-noise ratio
	SCNR	signal-to-correlated noise ratio
	VariAmp	amplitude variation
	VariTime	transit time variation
	Gain	gain required to receive a useful signal
	Pig detection	signalizes whether a pig is detected This display will only be indicated if Pig detection is activated.
Miscellaneous	Custom. Input 1	measured values of input quantities (e.g., temperature, density) which are not used for calculation  In the menu item Inputs\Assign inputs it is possible to assign configured inputs to customized inputs.
	Custom. Input 2	
	Custom. Input 3	
	Custom. Input 4	
Sound speed	Sound speed	measured sound speed in the fluid

Afterwards the properties of the event trigger are defined.

Tab. 19.2: Properties of the event trigger

property	setting	description
Function (switching condition)	MAX (x>limit)	The event trigger switches when the measured value exceeds the upper limit.
	MIN (x<limit)	The event trigger switches when the measured value falls below the lower limit.
	ERR (x=fail)	The event trigger switches when a measurement is not possible.
	Within range	The event trigger switches when the measured value is within the defined range.
	Out of range	The event trigger switches when the measured value is outside the defined range.
Type (holding behavior)	Non-hold	When the switching condition is no longer met, the event trigger returns to the idle state after approx. 1 s.
	Hold	The event trigger remains activated even when the switching condition is no longer met.
	Hold for a while	The event trigger remains activated during a defined time even when the switching condition is no longer met.

#### Definition of the switching condition

```
Functions\Event trigger\Enable Rx\Source item\...\Function
```

- Select the switching condition.
- Press ENTER.

#### Definition of the holding behavior

```
Functions\Event trigger\Enable Rx\Source item\...\Type
```

- Select the type of the holding behavior.
- Press ENTER.

#### Definition of trigger limits

```
Functions\Event trigger\Enable Rx\Source item\...\Trigger value
```

The limits are to be entered at which the event trigger has to switch.

- Enter the upper limit MAX (x>limit).
- Press ENTER.
- Enter the lower limit MIN (x<limit).
- Press ENTER.

```
Functions\Event trigger\Enable Rx\Source item\...\Hysteresis
```

It is possible to define a hysteresis to avoid constant switching of the event trigger.

The event trigger is activated when the measured values exceed the upper limit. It is deactivated when the measured values fall below the lower limit.

- Enter the value for the hysteresis.
- If zero is entered, no hysteresis is used.
- Press ENTER.

### Example

```
MAX (x>limit): 30 m3/h  
Hysteresis: 1 m3/h
```

The event trigger is activated for measured values > 30.5 m<sup>3</sup>/h and deactivated for measured values < 29.5 m<sup>3</sup>/h.

```
Functions\Event trigger\Enable Rx\Source item\...\Range center
```

- Enter the center of the range in which the event trigger has to be switched.
- Press ENTER.

```
Functions\Event trigger\Enable Rx\Source item\...\Range width
```

- Enter the width of the range in which the event trigger has to be switched.
- Press ENTER.

### Example

```
Function: Out of range  
Range center: 100 m3/h  
Range width: 40 m3/h
```

The event trigger will switch if the measured value is below 80 m<sup>3</sup>/h or above 120 m<sup>3</sup>/h.

#### Definition of the switching delay

```
Functions\Event trigger\Enable Rx\Source item\...\Glitch interval
```

- Enter a time interval after which the event trigger has to switch in case the event occurred.
- Press ENTER.

```
Functions\Event trigger\Enable Rx\Source item\...\Failure delay
```

- Enter a time interval after which the event trigger has to be deactivated in case of a measurement failure.
- Press ENTER.

#### 19.5.1 Apparent switching delay

The measured values and totalizer values will be displayed rounded according to the set number of decimal places. The limits, however, will be compared to the non-rounded measured values. This might cause an apparent switching delay when the measured value changes marginally (less than the visualized decimal places). In this case, the switching accuracy of the event trigger is higher than the accuracy of the display.

#### 19.5.2 Reset and initialization of the event triggers

After an initialization of the transmitter all event triggers are deactivated.

Event triggers whose switching condition is still met will be activated again after 1 s. This function is used to reset event triggers of the type `HOLD` if the switching condition is no longer met.

If a measurement is stopped, all event triggers will be deactivated and the corresponding process outputs will be de-energized, independently of the programmed idle state.



### 19.5.3 Event trigger during the measurement

An event trigger with the switching condition **MAX** ( $x > \text{limit}$ ), **MIN** ( $x < \text{limit}$ ), **Within range** or **Out of range** is updated max. once per second to avoid a constant switching of the event trigger (in case the measured values fluctuate around the value of the switching condition).

An event trigger with switching condition **ERR** ( $x = \text{fail}$ ) is activated during a measurement failure.

An event trigger of the type **Non-hold** is activated when the switching condition is met. It is deactivated when the switching condition is no longer met. But it remains activated for at least 1 s even when the switching condition is met for a shorter period of time.

An event trigger of the type **Hold** is activated when the switching condition is met. It remains activated even when the switching condition is no longer met.

An event trigger of the type **Hold for a while** is activated when the switching condition is met. The time after which the deactivation takes place is defined in the menu item **Hold interval**.

### 19.5.4 Status display of the event triggers

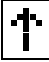

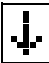





<b>Notice!</b>
There is no visual or acoustic indication of event trigger switching.

The state of the event triggers is displayed during the measurement.

The status display of the event triggers is structured as follows.

$R_x = \square \square \square$  with  $x$  being the number of the event trigger and  $\square$  a pictogram according to Tab. 19.3.


Tab. 19.3: Pictograms for the status display of the event triggers

	no.		Function (switching condition)	Type (holding behavior)	current state
<b>R</b>	$\square$	=	$\square$	$\square$	$\square$
	1		 MAX ( $x > \text{limit}$ )	 Non-hold	$\square 0$ deactivated (false state)
	2		 MIN ( $x < \text{limit}$ )	 Hold	$\square 1$ activated (true state)
	3		 Within range	 Hold for a while	
	4		 Out of range		
			 ERR ( $x = \text{fail}$ )		

### Example

$R_1 = \square \uparrow \square \downarrow \square 1$


## 19.6 Event log

If an error occurs, an error message will be displayed in the first line indicating the symbol . The error message can be displayed.

Storage\Event log

- Select the menu item `Event log` in the menu `Storage`.
- Press ENTER.

A list is displayed containing all error messages since the last time the transmitter was switched on.

- Press  to select an error message.
- Press ENTER.

The display indicates the cause of the error.

### Notice!

After reading out the event protocol the error message symbol will be deleted on the display, even if the error has not been eliminated yet.

The event protocol will be deleted after a restart of the transmitter.

## 20 Settings

### 20.1 Dialogs and menus

Miscellaneous\Dialogs/Menu

- Select the menu item `Dialogs/Menu` in the menu `Miscellaneous`.
- Press ENTER.

#### Pipe circumference

Miscellaneous\Dialogs/Menu\Pipe circumference

- Press ENTER until the menu item `Pipe circumference` is displayed.
- Select `Yes` if the pipe circumference is to be entered instead of the pipe diameter in the menu `Parameters`.
- Press ENTER.

If `Yes` is selected for `Pipe circumference`, the outer pipe diameter will still be requested in the menu `Parameters`.

- Enter zero. The menu item `Pipe circumference` will be displayed.
- Press ENTER.

The value displayed in the menu item `Pipe circumference` is calculated from the last displayed outer pipe diameter.

Example: 100 mm · π = 314.2 mm

- Enter the pipe circumference. The limits for the pipe circumference are calculated on the basis of the limits for the outer pipe diameter.
- Press ENTER.

During the next scroll through the menu `Parameters`, the outer pipe diameter that corresponds to the entered pipe circumference will be displayed.

Example: 180 mm : π = 57.3 mm

#### Coating

If the pipe has a coating, the material parameters of the coating have to be entered in the menu `Parameters`.

Miscellaneous\Dialogs/Menu>Edit coating

- Press ENTER until the menu item `Edit coating` is displayed.
- Select `Yes` if the pipe has a coating.
- Press ENTER.

#### Lining 2

If the pipe has a second lining, the material parameters of the second lining have to be entered in the menu `Parameters`.

Miscellaneous\Dialogs/Menu>Edit Lining 2

- Press ENTER until the menu item `Edit Lining 2` is displayed.
- Select `Yes` if the pipe has 2 linings.
- Press ENTER.

#### Measuring point number

Miscellaneous\Dialogs/Menu\Measuring point no.

- Press ENTER until the menu item `Measuring point no.` is displayed.
- Select `Number` if the measuring point number should only consist of numeric characters. Select `Text` if the measuring point number should only consist of alphabetic characters.
- Press ENTER.

### Error delay

The error delay is the time after which an error value will be sent to an output if no valid measured values are available.

Miscellaneous\Dialogs/Menu\Error delay

- Press ENTER until the menu item `Error delay` is displayed.
- Select `Edit` to enter an error delay. Select `Damping` if the damping factor is to be used as the error delay.
- Press ENTER.

### Temperature correction

Miscellaneous\Dialogs/Menu\Tx temperature offset

- Press ENTER until the menu item `Tx temperature offset` is displayed.
- Select `Yes` to enable the input of a temperature correction for each temperature input.
- Press ENTER.

### Transducer distance

Miscellaneous\Dialogs/Menu\Transducer distance

- Press ENTER until the menu item `Transducer distance` is displayed.
- Select `Customized` if the measuring point is always the same. Select `Automatic` if the measuring point often changes.
- Press ENTER.

In the menu `Measurement`, the recommended transducer distance will be displayed in parenthesis, below the entered transducer distance.

### Sound speed of the reference fluid

Miscellaneous\Dialogs/Menu\Compare c fluid

- Press ENTER until the menu item `Compare c fluid` is displayed.

Select `Yes` if the difference  $\Delta c = c_{\text{mea}} - c_{\text{stored}}$  between the two sound speeds has to be displayed.  $c_{\text{ref}}$  is the calculated sound speed of the reference fluid at same process conditions (temperature, pressure).

- Press ENTER.

`Compare c fluid` can also be activated or deactivated during the measurement and has an immediate effect on the display of the measured values.

### Display of the last value

Miscellaneous\Dialogs/Menu\Display last value

- Press ENTER until the menu item `Display last value` is displayed.
- Select `Yes` to display the last valid value.
- Press ENTER.

If `Yes` is selected and no valid measured value can be displayed during the measurement, the last valid value will be displayed. Behind this value an interrogation point will be displayed.

### Toggle time

If `1 meas. point (AB)` or `2 meas. points (A|B)` is selected for the configuration of the measuring point in the menu `Parameters`, the time interval can be defined, after which the transmitter toggles between the different measuring channels during the measurement. The default value is 3 s.

Miscellaneous\Dialogs/Menus\Toggle time

- Press ENTER until the menu item `Toggle time` is displayed.
- Enter a different toggle time value if the default value is no to be used.
- Press ENTER.

This value remains stored until a new toggle time is entered.

#### Primary display value

Miscellaneous\Dialogs/Menus\Primary display value

- Press ENTER until the menu item `Primary display value` is displayed.
- Select `Flow quantity` to display the selected physical quantity value as primary value during the measurement. Select `Totalizer` to display the totalizer value as primary value during the measurement.
- Press ENTER.

#### Switching off the display backlight

Miscellaneous\Dialogs/Menus\Light autom. off

- Press ENTER until the menu item `Light autom. off` is displayed.
- Select `Yes` to activate the automatic switch-off.
- Press ENTER.

If the automatic switch-off of the display backlight is activated, the backlight is switched off after about 30 s. When pressing a key or connecting a USB cable, the backlight is switched on again.

## 20.2 Measurement modes

Miscellaneous\Measurement\Measurement modes

- Select the menu item `Measurement` in the menu `Miscellaneous`.
- Press ENTER.
- Select the menu item `Measurement modes`.
- Press ENTER.

#### Enabling the analysis

Miscellaneous\Measurement\Measurement modes\Enable analysis

- Select `On` to enable the analysis. Select `Off` to disable it.
- Press ENTER.

If the analysis is enabled and when parameterizing the transmitter, the scroll list will only display fluids which have an analysis quantity.

Miscellaneous\Measurement\Measurement modes\Reference temp.

- Enter the temperature according to the local reference conditions (default value: 20 °C).
- Press ENTER.

Miscellaneous\Measurement\Measurement modes\Reference pressure

- Enter the pressure according to the local reference conditions (default value: 1 bar).
- Press ENTER.

## 20.3 Measurement settings

Miscellaneous\Measurement\Measurement settings

- Select the menu item `Measurement` in the menu `Miscellaneous`.
- Press ENTER.
- Select the menu item `Measurement settings`.
- Press ENTER.

### Multi-point calibration

A multi-point calibration allows a very precise output of measuring results. It is based on calibration curves of series of measured values

Miscellaneous\Measurement\Measurement settings\Multi-point calibration

- Press ENTER until the menu item `Multi-point calibration` is displayed.
- Select `On` to activate the multi-point calibration. Select `Off` to deactivate it (default: `Off`).
- Press ENTER.

If `On` is selected, a series of measured values has to be entered in the menu item `Calibration\Multi-point calibration`.

### Swift damping

If `Swift damping` is activated, each displayed measured value is a floating average of the last `x` seconds, with `x` being the damping factor. The display thus requires `x` seconds to fully respond to flow rate changes.

If `Swift damping` is deactivated, the damping is calculated as first order low-pass filter, i.e. changes of measured values become effective in form of an exponential time course in the measuring result.

Miscellaneous\Measurement\Measurement settings\Swift damping

- Press ENTER until the menu item `Swift damping` is displayed.
- Select `Off` to deactivate the swift damping. Select `On` to activate it (default: `On`).
- Press ENTER.

### Dynamic damping

If dynamic damping is activated, volatile changes in the measured values of the selected physical quantity are transmitted through the transmitter without any time lag.

#### Important!

The dynamic damping will only have impact on the selected physical quantity. All other physical quantities are not dynamically damped.

Miscellaneous\Measurement\Measurement settings\Dynamic damping

- Press ENTER until the menu item `Dynamic damping` is displayed.
- Select `On` to activate the dynamic damping. Select `Off` to deactivate it (default: `Off`).
- Press ENTER.

If `On` is selected, the dynamic damping has to be parameterized in the menu item `Parameters\Dynamic damping`.

## 20.4 Units of measurement

It is possible to set the global units of measurement for length, temperature, pressure, sound speed, density and kinematic viscosity.

```
Miscellaneous\Units of measurement
```

- Select the menu item `Units of measurement` in the menu `Miscellaneous`.
- Press ENTER.
- Select a unit of measurement for all quantities.
- Press ENTER.

```
Miscellaneous\Units of measurement\Barrel type
```

In this menu item it is possible to define which barrel type is to be displayed as unit of measurement for the volumetric flow rate.

- Press ENTER until the menu item `Barrel type` is displayed.
- Select a barrel type.
- Press ENTER.

## 20.5 Material and fluid scroll list

### Notice!

User defined fluids which are not included in the fluid scroll list can be read via the program FluxDiag. These fluids are displayed in the fluid scroll list with an asterisk.

### Fluid data set for analysis

The fluids data sets are customized. The supplied fluid data sets remain even after an initialization of the transmitter.

### Flow measurement

At delivery, all stored materials and fluids are displayed in the corresponding lists in the menu item `Parameters\Pipe material` or `Parameters\Fluid`.

For the sake of clarity, materials and fluids can be removed from the scroll list. Removed materials and fluids can be added at any time.

### Adding or removing materials/fluids

```
Miscellaneous\Libraries\Use material list
```

- Select the menu item `Miscellaneous\Libraries\Use material list`.
- Press ENTER.
- Select `Yes` if a material is to be added to or removed from the material scroll list.
- Press ENTER.

Similarly, the fluid scroll list can be adapted (`Miscellaneous\Libraries\Use fluid list`).

### Adding all materials/fluids

```
Miscellaneous\Libraries\Use material list
```

- Select the menu item `Miscellaneous\Libraries\Use material list`.
- Press ENTER.
- Select `No` if all materials are to be displayed in the material scroll list.
- Press ENTER.

Similarly, the fluid scroll list can be adapted (`Miscellaneous\Libraries\Use fluid list`).

## 20.6 Working with parameter records

### 20.6.1 Introduction

Parameter records are data sets that contain all information necessary to perform a certain measurement task:

- pipe parameters
- transducer parameters
- fluid parameters
- output options

Working with parameter records will make repeated measurement tasks easier and faster. The transmitter can store max. 20 parameter records.

#### Notice!

No parameter records are stored in the delivery state. Parameter records have to be entered manually.

The parameters have first to be entered in the following menus `Parameters` and `Miscellaneous`. Afterwards, they can be stored as parameter record.

```
Miscellaneous\Param. record memo.
```

- Select the menu item `Param. record memo.` in the menu `Miscellaneous`.
- Press ENTER.
- Select the menu item `Save current record.`
- Press ENTER.

```
Miscellaneous\Param. record name
```

- Enter the name the parameter record has to be stored with.
- Press ENTER.

### 20.6.2 Load of a parameter record

Stored parameter records can be loaded and used for measurement.

```
Miscellaneous\Param. record memo.\Load param. record
```

- Select the menu item `Load param. record.`
- Press ENTER.
- Select the parameter record to be loaded.
- Press ENTER.

### 20.6.3 Deletion of parameter records

```
Miscellaneous\Param. record memo.\Delete param. record
```

- Select the menu item `Delete param. record.`
- Press ENTER.
- Select the parameter record to be deleted.
- Press ENTER.




## 20.7 Contrast settings

Miscellaneous\System settings\Display contrast

- Select the menu item `System settings` in the menu `Miscellaneous`.
- Press ENTER.
- Select the menu item `Display contrast`.
- Press ENTER.

The display contrast can be adjusted with the following keys:

 increase contrast  
CLR reduce contrast

- Press ENTER.

### Notice!

After an initialization of the transmitter, the display is reset to medium contrast.

## 20.8 HotCodes

Miscellaneous\System settings\HotCode

- Select the menu item `Miscellaneous` in the menu `System settings`.
- Press ENTER.
- Select the menu item `HotCode`.
- Press ENTER.
- Enter the `HotCode` via the keyboard. For the input of numbers, see section 5.4.
- Press ENTER.

function	HotCode
display setting to medium contrast	555000
language selection	9090xx
initialization	909000
activation/deactivation of the flow direction detection	007026
activation/deactivation of the pig detection	007028
display of totalizers in the lower line as well	007032

### Language selection

The language selection can either be carried out via the menu `Miscellaneous\System settings\Language` or a `HotCode`:

language	HotCode
English	909044
German	909049
French	909033
Spanish	909034
Dutch	909031
Russian	909007
Polish	909048
Turkish	909090
Italian	909039
Chinese	909086

After the last digit has been entered, the main menu is displayed in the selected language. The selected language remains activated when the transmitter is switched off and on again.

## 20.9 Key lock

An ongoing measurement can be protected from an inadvertent intervention by means of a key lock.

### Definition of a key lock code

- Select the menu item `System settings` in the menu `Miscellaneous`.
- Press ENTER.

`Miscellaneous\System settings\Key lock`

- Select the menu item `Key lock`.
- Press ENTER.
- Enter a 6-digit key lock code. For the input of numbers see section 5.4.
- Press ENTER.

### Notice!

Do not forget the key lock code!

### Deactivation of the key lock

`Miscellaneous\System settings\Key lock`

- Select the menu item `Miscellaneous` in the menu `System settings`.
- Press ENTER.
- Select the list item `Key lock`.
- Press ENTER.
- Enter a 6-digit key lock code. For the input of numbers see section 5.4.
- Press ENTER.

**Intervention in the measurement**

If the key lock is activated, the message `Key lock activated` will be displayed for a few seconds when pressing a key. In order to interrupt a measurement, the key lock has to be deactivated.

- Press BRK.
- Select `Show parameters`.
- Press ENTER.
- Deactivate the key lock.

**Disabled functions with activated key lock**

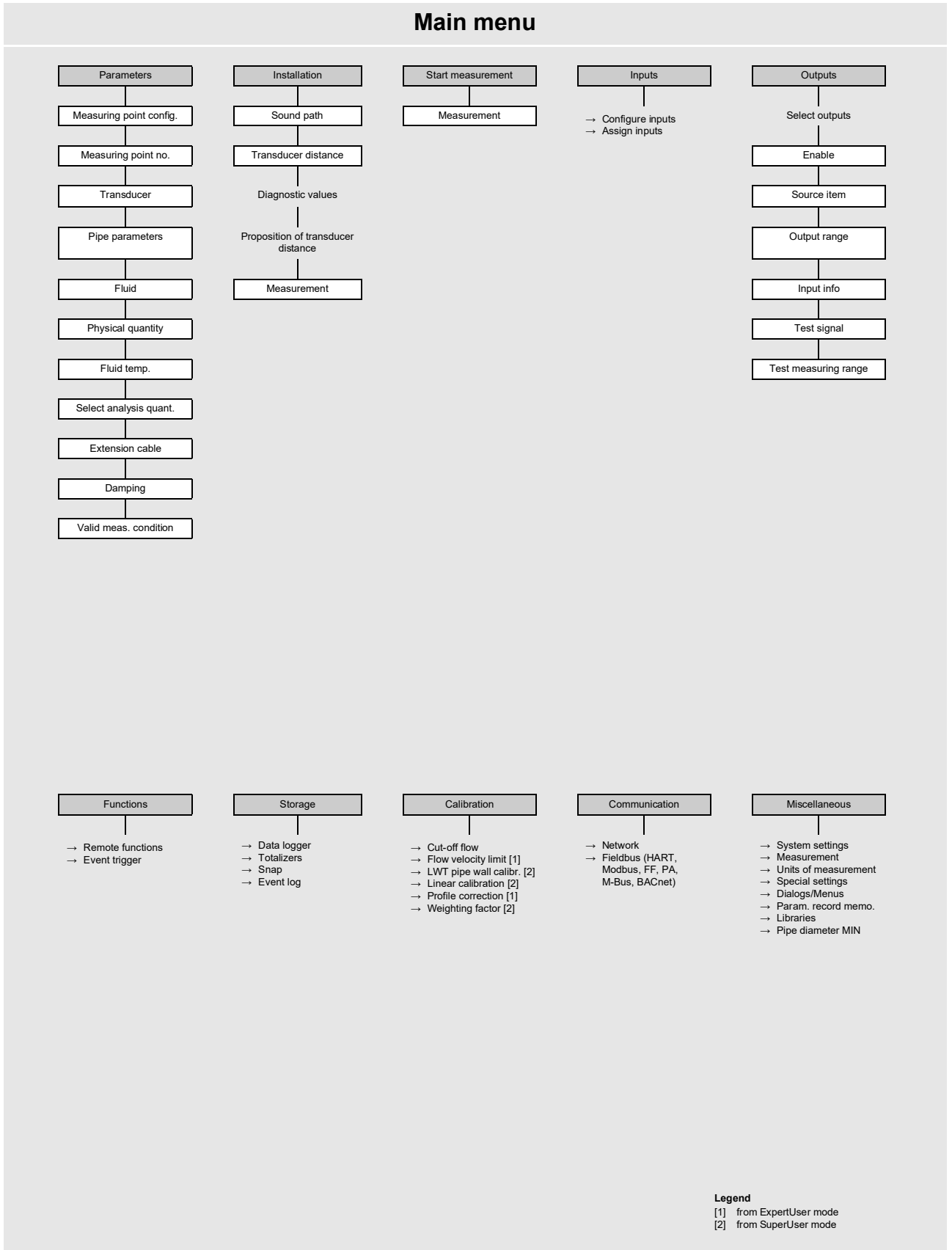
The following table gives an overview of the transmitter functions that are not available when the key lock is activated.

measurement not started	measurement started
<ul style="list-style-type: none"> <li>• parameter input</li> <li>• modification of settings (e.g., measuring modes)</li> <li>• deletion of the data logger</li> <li>• setting of time/date</li> <li>• start of the measurement (start-up)</li> </ul>	<ul style="list-style-type: none"> <li>• modification of settings that can be changed during the measurement (e.g., language selection)</li> <li>• triggering of snaps</li> <li>• stop of totalizers</li> <li>• reset of totalizers</li> <li>• stop of measurement</li> </ul>

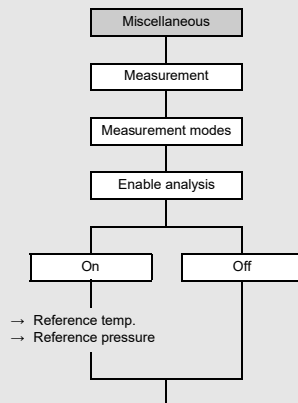


# Annex

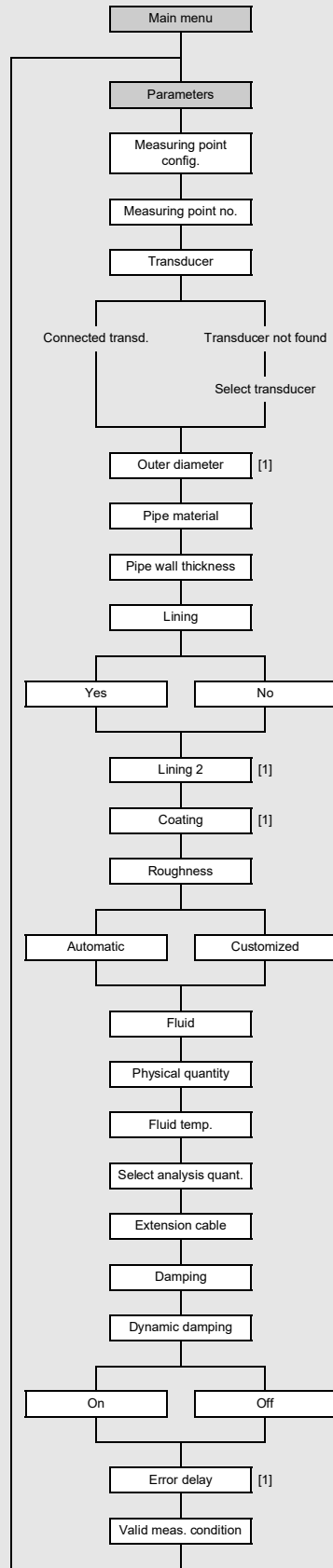
## A Menu structure



## Analytics



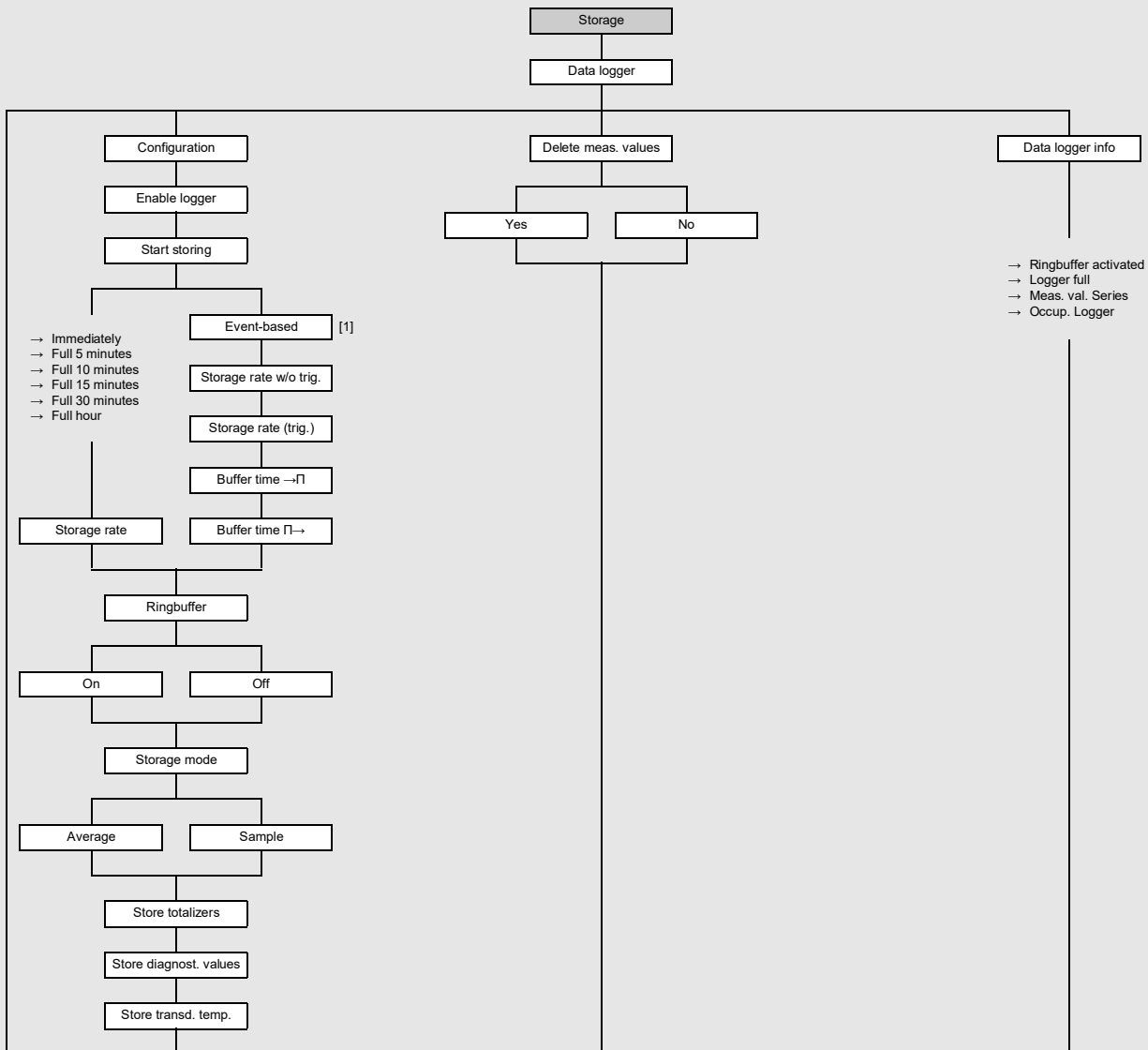
## Parameter input



**Legend**

[1] only if enabled in the menu item Miscellaneous\Dialogs/Menus

## Data logger

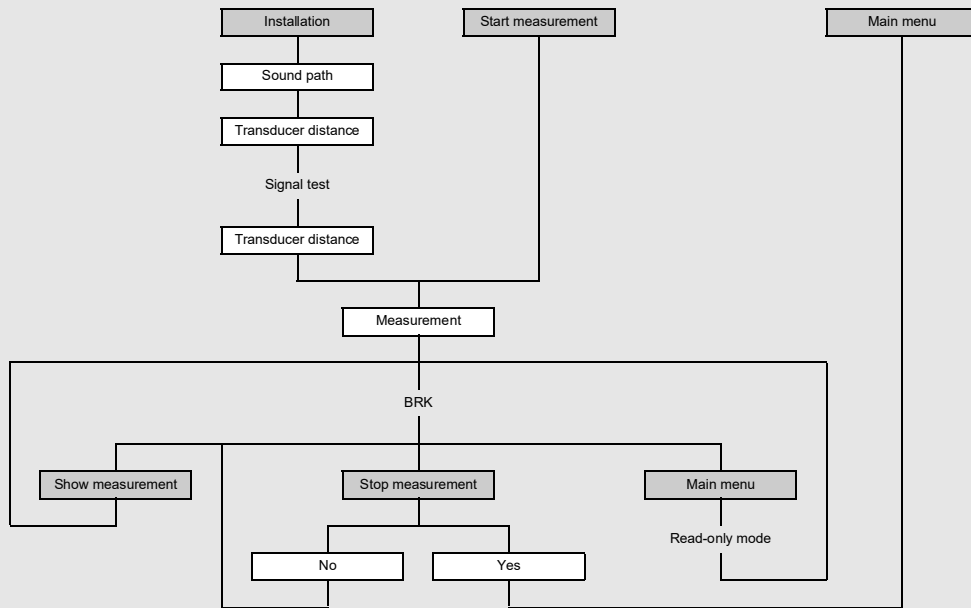


**Legend**

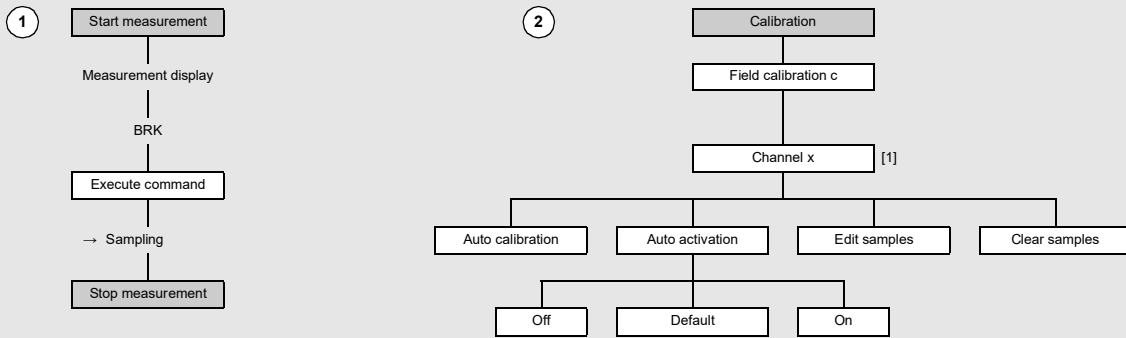
[1] list of parameterized triggerable inputs and event triggers



### Measurement start



## Field calibration

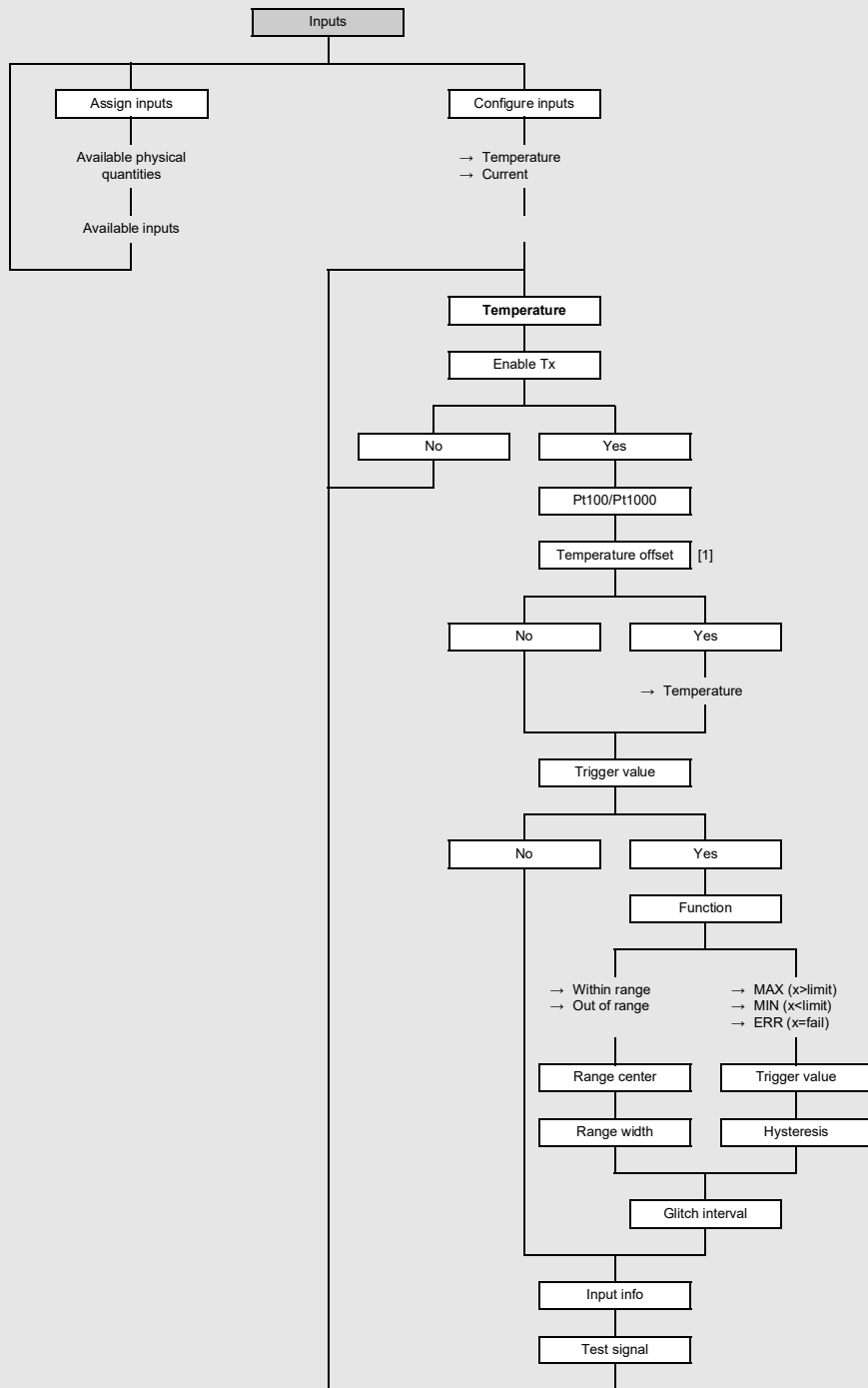


**Legend**

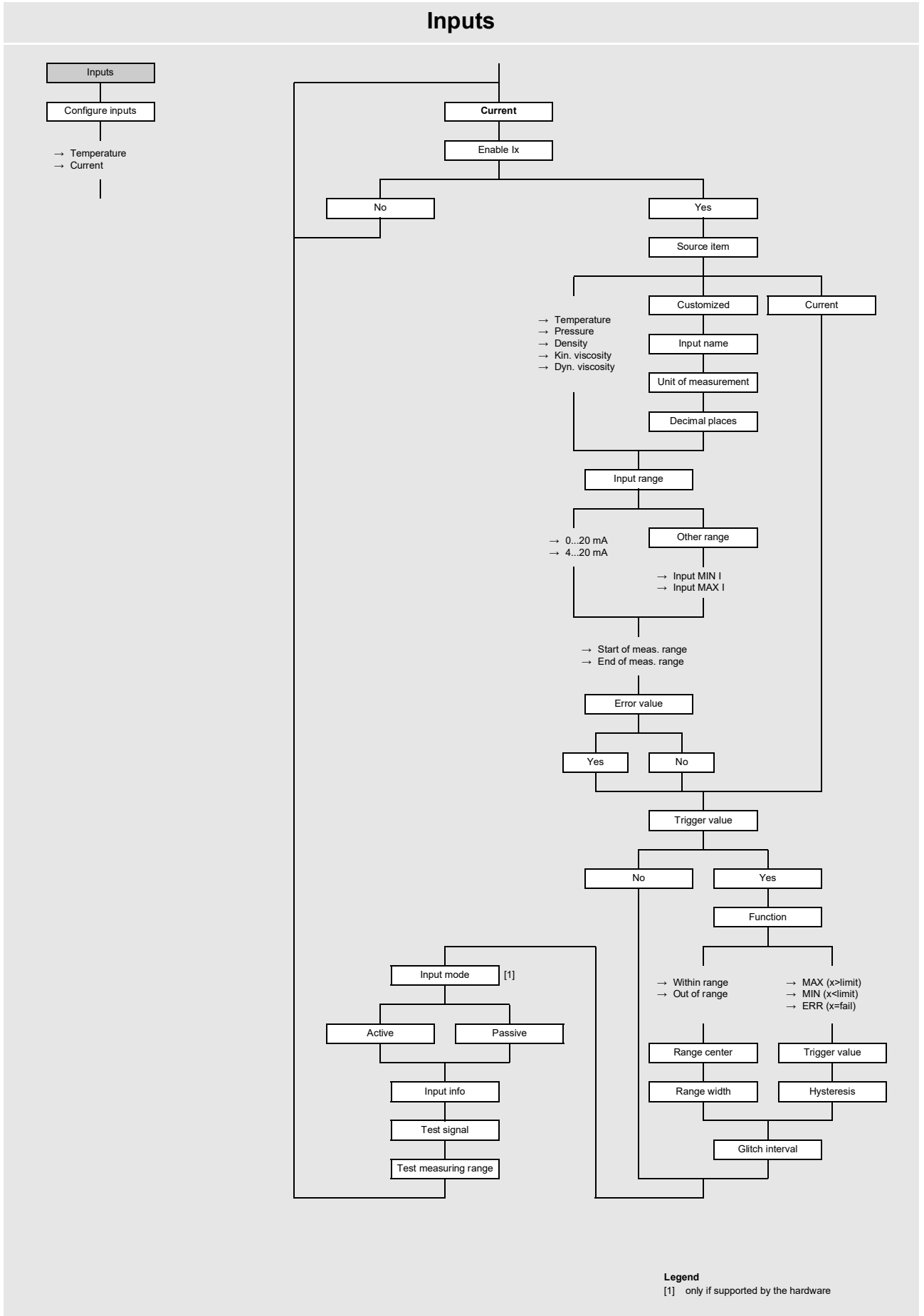
[1] only if 1 meas. point (A|B) or 2 meas. points (A|B) is selected for the configuration of the measuring point



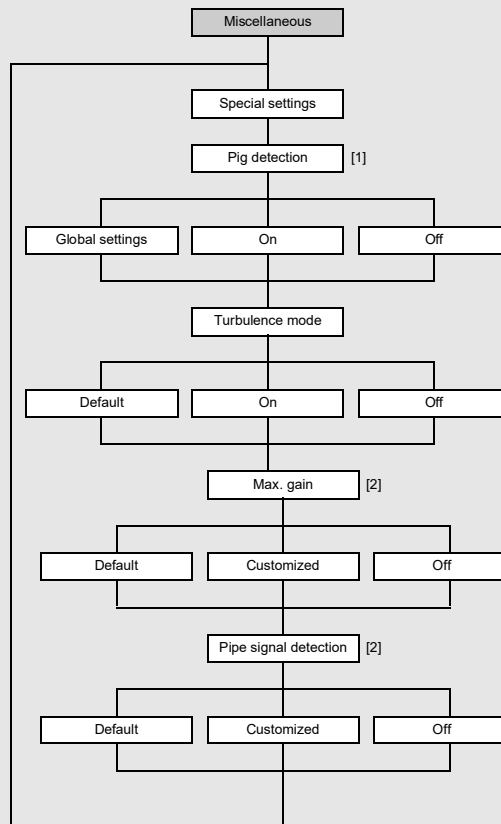
# Inputs



**Legend**  
[1] only if enabled in the menu item Miscellaneous\Dialogs/Menu



## Special settings

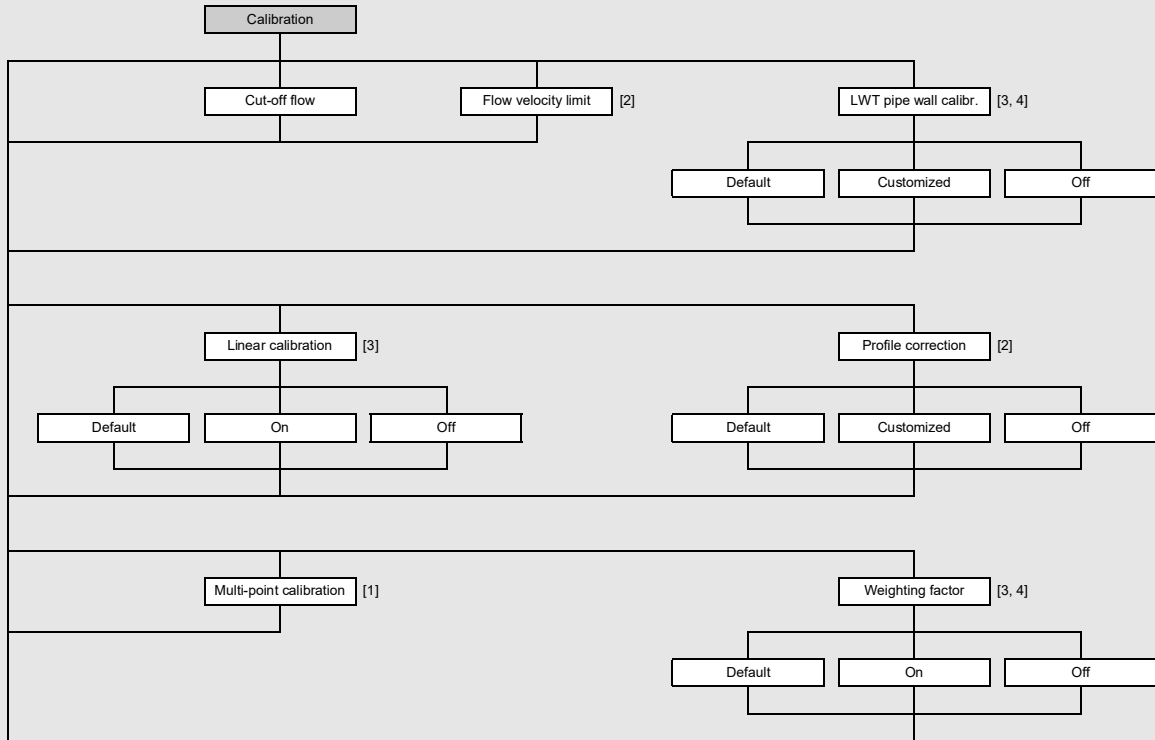


**Legend**

- [1] only in SuperUser mode and if activated via HotCode
- [2] only in ExpertUser, SuperUser and SuperUser ext. mode

## Calibration

If Channel-based param. is selected for the configuration of the measuring point, the settings can be made individually for each measuring channel.

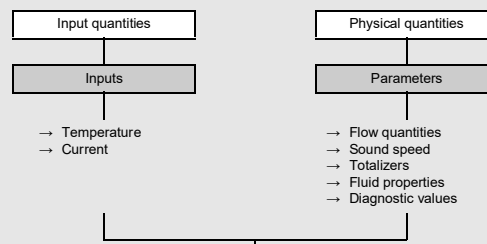


**Legend**

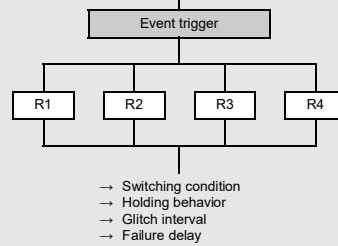
- [1] only if enabled in the menu item Miscellaneous\Measurement\Measurement settings
- [2] only in ExpertUser, SuperUser and SuperUser ext. mode
- [3] only in SuperUser and SuperUser ext. mode
- [4] if 1 meas. point (AB) is selected for the configuration of the measuring point, each measuring point can be configured individually

## Results – overview

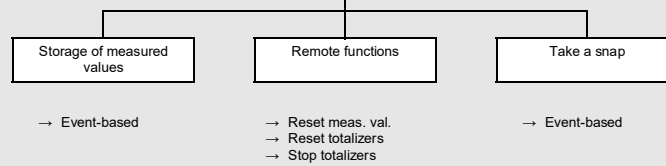
### Trigger



### Condition

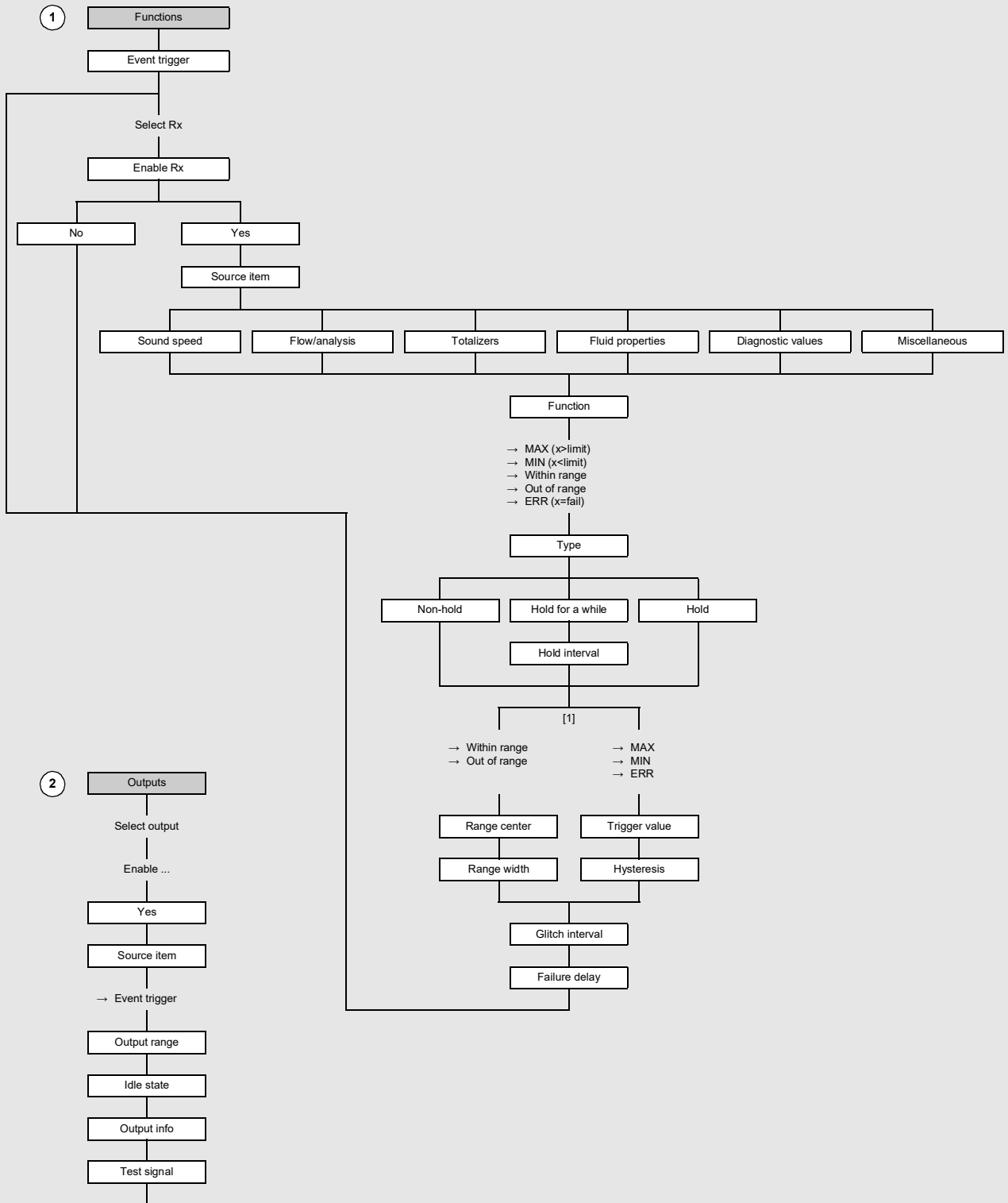


### Action





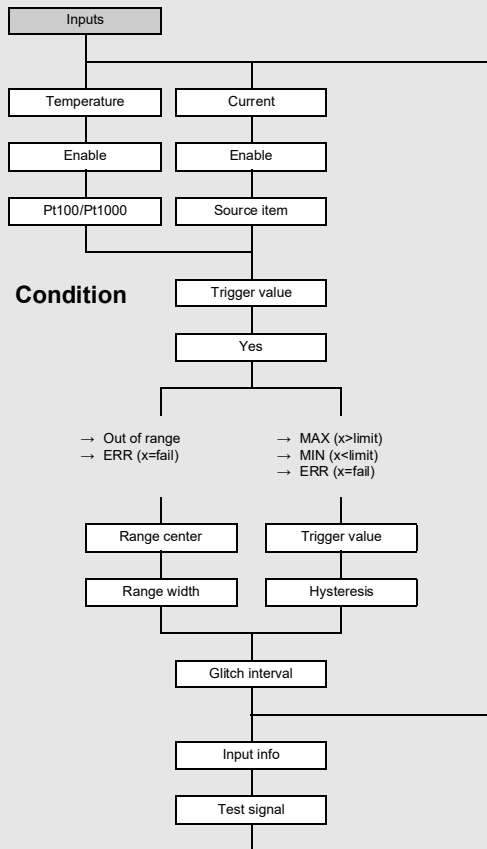
## Definition of event triggers



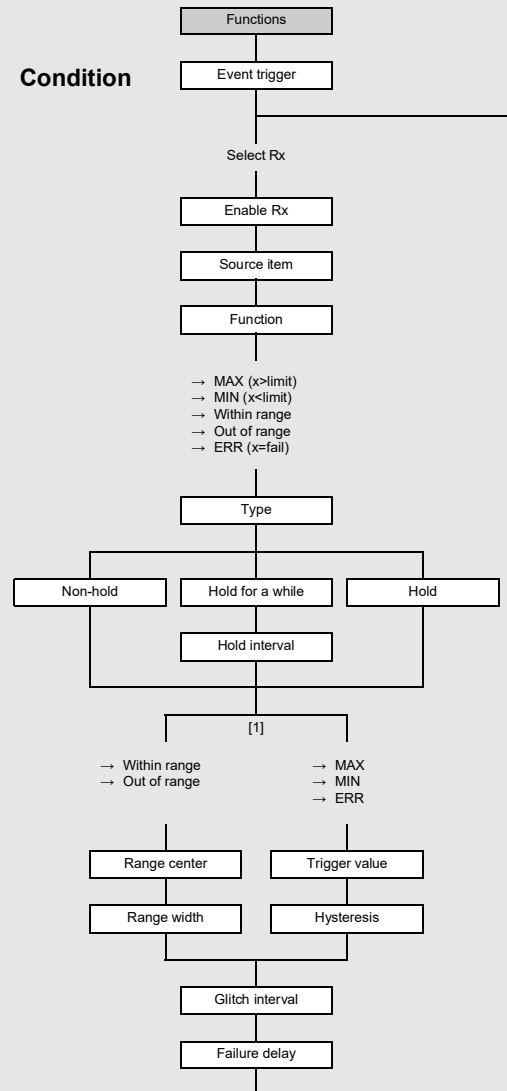
Legend  
[1] depending on the selected function

## Remote functions

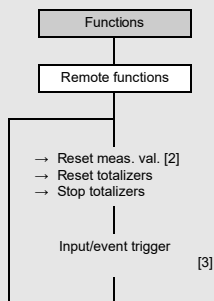
### 1 Trigger



### Condition



### 2 Action

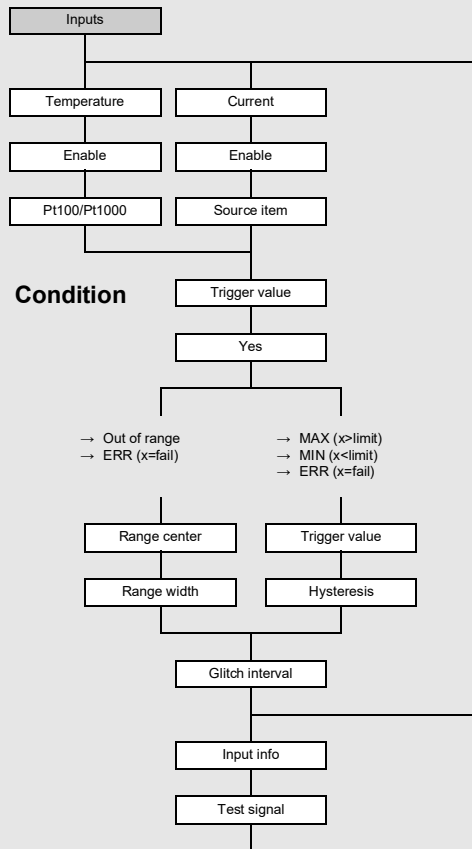


**Legend**

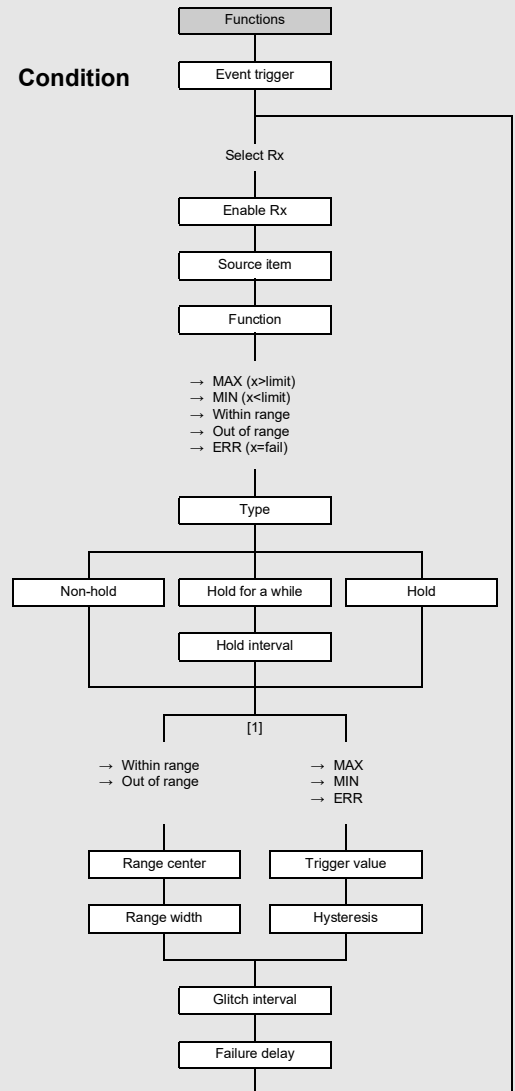
- [1] depending on the selected function
- [2] only controllable via inputs
- [3] list of parameterized triggerable inputs and event triggers

## Event-based storing of measured values

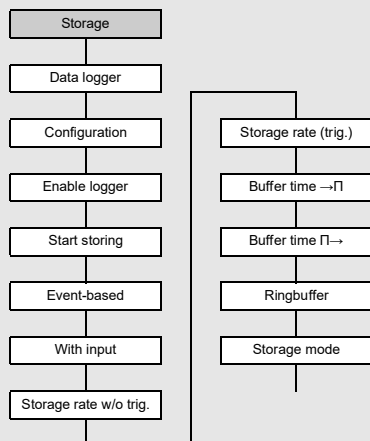
### 1 Trigger



### Condition



### 2 Action

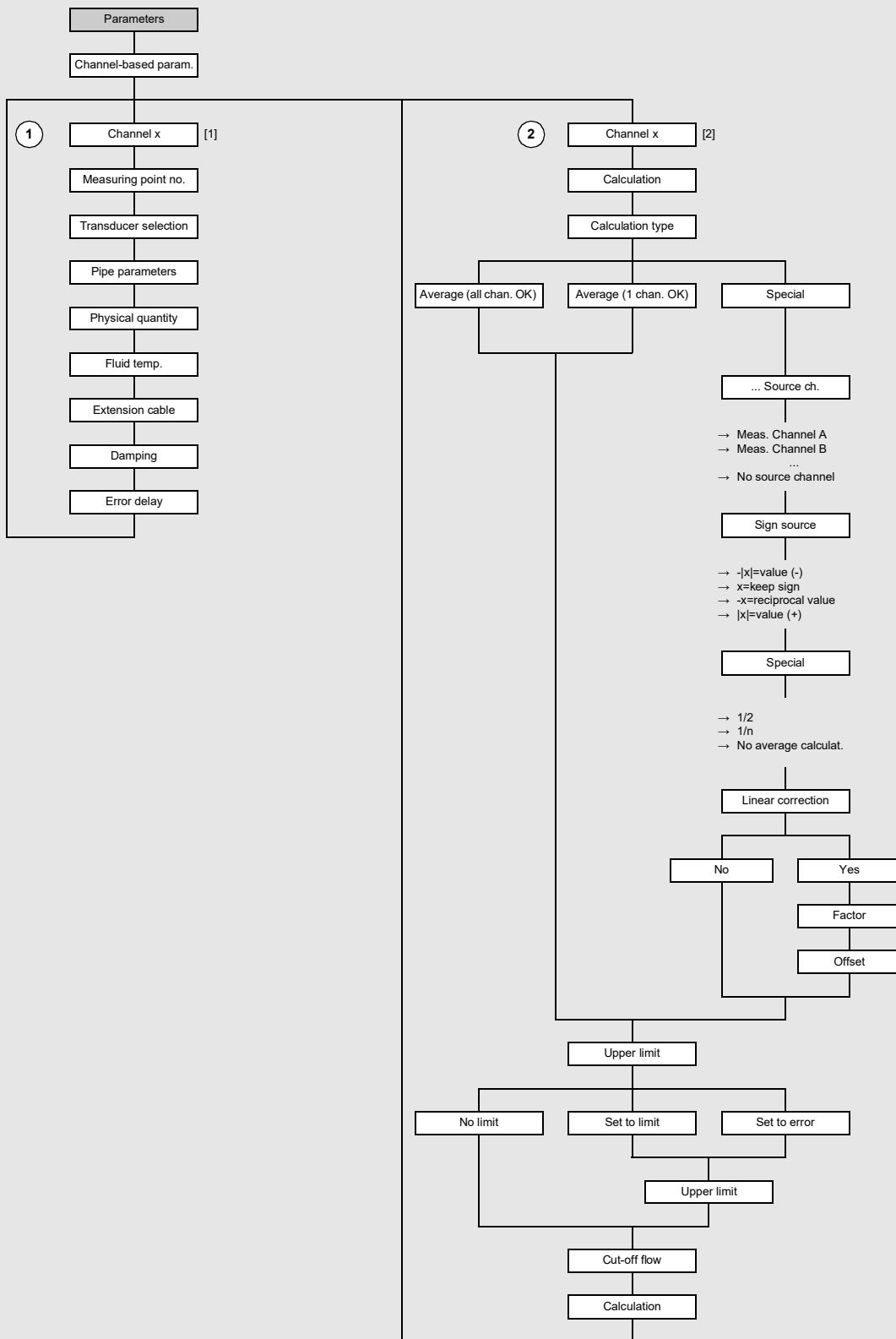


**Legend**

[1] depending on the selected function

## Calculation channels

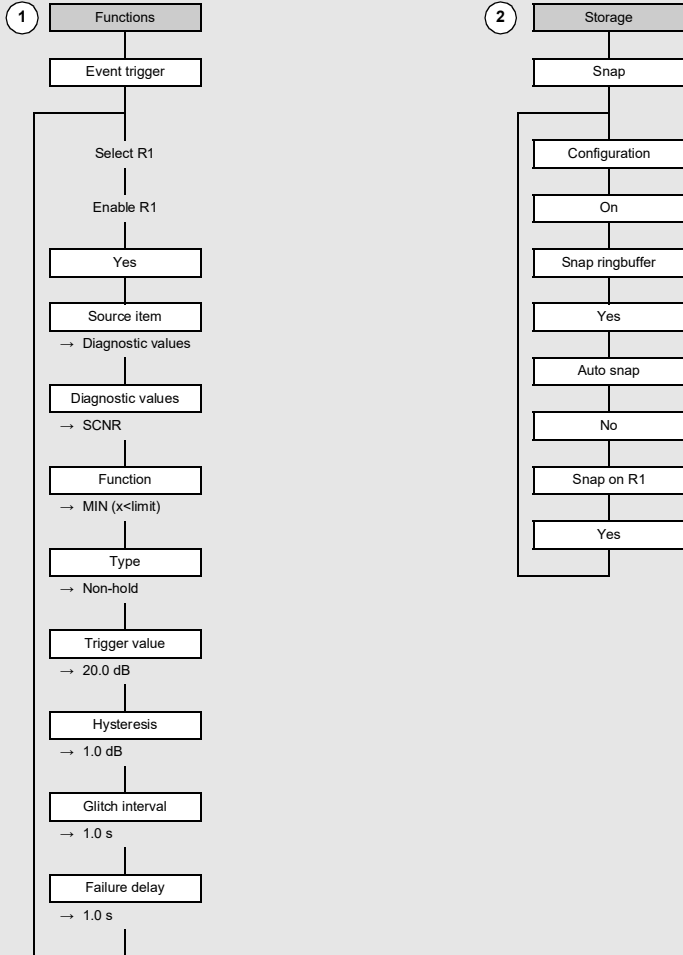
This function is only available in SuperUser or SuperUser ext. mode.



**Legend**  
 [1] available measuring channels  
 [2] calculation channel

### Example 1

The diagnostic values are to be checked.  
 If the SCNR is < 20 dB, a snap has to be triggered.  
 trigger: SCNR < 20 dB  
 condition: R1 with SCNR < 20 dB  
 action: trigger a snap





## B Units of measurement

### Length/roughness

unit of measurement	description
mm	millimeter
in	inch

### Temperature

unit of measurement	description
°C	degree Celsius
°F	degree Fahrenheit

### Pressure

unit of measurement	description
bar (a)	bar (absolute)
bar (g)	bar (relative)
psi (a)	pound per square inch (absolute)
psi (g)	pound per square inch (relative)

### Density

unit of measurement	description
g/cm <sup>3</sup>	gram per cubic centimeter
kg/cm <sup>3</sup>	kilogram per cubic centimeter

### Sound speed

unit of measurement	description
m/s	meter per second
fps (ft/s)	foot per second

### Kinematic viscosity

unit of measurement	description
mm <sup>2</sup> /s	square millimeter per second

$$1 \text{ mm}^2/\text{s} = 1 \text{ cSt}$$

### Flow velocity

unit of measurement	description
m/s	meter per second
cm/s	centimeter per second
in/s	inch per second
fps (ft/s)	foot per second

## Volumetric flow rate

unit of measurement	description	default volume (totalized) <sup>(1)</sup>
m <sup>3</sup> /d	cubic meter per day	m <sup>3</sup>
m <sup>3</sup> /h	cubic meter per hour	m <sup>3</sup>
m <sup>3</sup> /min	cubic meter per minute	m <sup>3</sup>
m <sup>3</sup> /s	cubic meter per second	m <sup>3</sup>
km <sup>3</sup> /h	cubic kilometer per hour	km <sup>3</sup>
ml/min	milliliter per minute	l
l/h	liter per hour	l
l/min	liter per minute	l
l/s	liter per second	l
hl/h	hectoliter per hour	hl
hl/min	hectoliter per minute	hl
hl/s	hectoliter per second	hl
Ml/d (Megalit/d)	megaliter per day	Ml
bb1/d <sup>(4)</sup>	barrel per day	bb1
bb1/h <sup>(4)</sup>	barrel per hour	bb1
bb1/m <sup>(4)</sup>	barrel per minute	bb1
bb1/s <sup>(4)</sup>	barrel per second	bb1
USgpd (US-gal/d)	gallon per day	gal
USgph (US-gal/h)	gallon per hour	gal
USgpm (US-gal/m)	gallon per minute	gal
USgps (US-gal/s)	gallon per second	gal
KGPM (US-Kgal/m)	kilogallon per minute	kgal
MGD (US-Mgal/d)	million gallons per day	Mgal
CFD	cubic foot per day	cft <sup>(2)</sup>
CFH	cubic foot per hour	cft
CFM	cubic foot per minute	cft
CFS	cubic foot per second	aft <sup>(3)</sup>
CCFD	hundred cubic feet per day	CCF
CCFH	hundred cubic feet per hour	CCF

(1) selection via Parameters\Units of measurement

(2) cft: cubic foot

(3) aft: acre foot

(4) In the menu item Miscellaneous\Units of measurement\Barrel type the barrel type to be displayed when setting the units of measurement for volumetric flow rate and totalized volume can be defined. If the barrel type Imperial (UK) is selected, imperial (UK) gallons instead of US gallons are used.

1 US-gal = 3.78541 l

1 UK-gal = 4.54609 l

US Barrel Oil = 42.0 US-gal ≈ 159 l

US Barrel Wine = 31.5 US-gal ≈ 119 l

US Barrel Beer = 31.0 US-gal ≈ 117 l

Imperial (UK) Barrel = 36.0 UK-gal ≈ 164 l



unit of measurement	description	default volume (totalized) <sup>(1)</sup>
MMCFD	million cubic feet per day	MMCF
MMCFH	million cubic feet per hour	MMCF
Igpd (Imp-gal/d)	gallon per day	Igal
Igph (Imp-gal/h)	gallon per hour	Igal
Igpm (Imp-gal/m)	gallon per minute	Igal
Igps (Imp-gal/s)	gallon per second	Igal
IKGM (Imp-Kgal/m)	imperial kilogallon per minute	IKG
IMGD (Imp-Mgal/d)	million imperial gallons per day	IMG

(1) selection via Parameters\Units of measurement

(2) cft: cubic foot

(3) aft: acre foot

(4) In the menu item Miscellaneous\Units of measurement\Barrel type the barrel type to be displayed when setting the units of measurement for volumetric flow rate and totalized volume can be defined. If the barrel type Imperial (UK) is selected, imperial (UK) gallons instead of US gallons are used.

1 US-gal = 3.78541 l

1 UK-gal = 4.54609 l

US Barrel Oil = 42.0 US-gal ≈ 159 l

US Barrel Wine = 31.5 US-gal ≈ 119 l

US Barrel Beer = 31.0 US-gal ≈ 117 l

Imperial (UK) Barrel = 36.0 UK-gal ≈ 164 l

**Mass flow rate**

unit of measurement	description	mass (totalized)
t/h	ton per hour	t
t/d	ton per day	t
kg/h	kilogram per hour	kg
kg/min	kilogram per minute	kg
kg/s	kilogram per second	kg
g/s	gram per second	g
lb/d	pound per day	lb
lb/h	pound per hour	lb
lb/m	pound per minute	lb
lb/s	pound per second	lb
klb/h	kilopound per hour	klb
klb/m	kilopound per minute	klb

1 lb = 453.59237 g

1 t = 1000 kg

## C Reference

The following tables provide assistance for the user. The accuracy of the data depends on the composition, temperature and processing of the material. FLEXIM does not assume liability for any inaccuracies.

### C.1 Sound speed of selected pipe and lining materials at 20 °C

The values of some of these materials are stored in the internal database of the transmitter. Column  $c_{\text{flow}}$  shows the type of sound wave (longitudinal or transversal) used for the flow measurement.

material (display)	explanation	$c_{\text{trans}}$ [m/s]	$c_{\text{long}}$ [m/s]	$c_{\text{flow}}$
Carbon steel	steel, normal	3230	5930	trans
Stainless steel	steel, stainless	3100	5790	trans
DUPLEX	duplex stainless steel	3272	5720	trans
Ductile iron	ductile iron	2650	-	trans
Asbestos cement	asbestos cement	2200	-	trans
Titanium	titanium	3067	5955	trans
Copper	copper	2260	4700	trans
Aluminum	aluminum	3100	6300	trans
Brass	brass	2100	4300	trans
Plastic	plastic	1120	2000	long
GRP	glass reinforced plastic	-	2650	long
PVC	polyvinyl chloride	-	2395	long
PE	polyethylene	540	1950	long
PP	polypropylene	2600	2550	trans
Bitumen	bitumen	2500	-	trans
Acrylic glass	acrylic glass	1250	2730	long
Lead	lead	700	2200	long
Cu-Ni-Fe	copper-nickel-iron alloy	2510	4900	trans
Cast iron	gray cast iron	2200	4600	trans
Rubber	rubber	1900	2400	trans
Glass	glass	3400	5600	trans
PFA	perfluoralkoxy	500	1185	long
PVDF	polyvinylidene fluorid	760	2050	long
Sintimid	Sintimid	-	2472	long
Teka PEEK	Teka PEEK	-	2534	long
Tekason	Tekason	-	2230	long

The sound speed depends on the composition and processing of the material. The sound speed of alloys and cast materials fluctuates strongly. The values only serve as an orientation.

## C.2 Typical roughness values of pipes

The values are based on experience and measurements.

material	absolute roughness [mm]
drawn pipes of non-ferrous metal, glass, plastics and light metal	0...0.0015
drawn steel pipes	0.01...0.05
fine-planed, polished surface	max. 0.01
planed surface	0.01...0.04
rough-planed surface	0.05...0.1
welded steel pipes, new	0.05...0.1
after long use, cleaned	0.15...0.2
moderately rusted, slightly encrusted	max. 0.4
heavily encrusted	max. 3
cast iron pipes:	
bitumen lining	> 0.12
new, without lining	0.25...1
rusted	1...1.5
encrusted	1.5...3

### C.3 Typical properties of selected fluids at 20 °C

#### C.3.1 Mixtures with non-changing composition

fluid	explanation	sound speed [m/s]	density [kg/m <sup>3</sup> ]	kinematic viscosity [mm <sup>2</sup> /s]	valid range of fluid data [°C]	WMM <sup>(1)</sup>
Water	liquid water	1482	999	1	0...350	x
Propane	liquefied under pressure	755	500	0.2	-180...+97	
Butane	liquefied under pressure, coolant R-600	929	577	0.3	-135...+152	x
Ammonia	liquefied under pressure, coolant R-717	1373	610	0.2	-78...+132	x
Methanol		1119	792	0.7	-95...+240	
Ethanol		1158	789	1.5	-110...+241	
Acetone		1187	791	0.4	-90...+235	
R134a HFC	coolant HFC	521	1240	0.2	-100...+100	x
R407C HFC	coolant HFC	494	1158	0.1	-20...+81	x
R410A HFC	coolant HFC	457	1085	0.1	-130...+71	x
R22 CFC	coolant HFC	557	1213	0.1	-150...+90	x
BP Transcal LT	thermal oil	1365	876	20	-20...+260	x
BP Transcal N	thermal oil	1365	876	94	0...320	x
Shell Thermia B	thermal oil	1365	863	89	0...310	x
Mobiltherm 594	thermal oil	1365	873	7.5	-44...+260	x
Mobiltherm 603	thermal oil	1365	859	55	0...320	x
Gasoline	hydrocarbon with 58 °API	1252	741	1.1	-50...+450	
Diesel	hydrocarbon with 38 °API	1380	831	2.2	-50...+450	
Jet A1	hydrocarbon with 44 °API	1358	821	1.7	-50...+450	

<sup>(1)</sup> thermal energy rate coefficient included in the fluid data set

**C.3.2 Mixtures with changing composition**

fluid	explanation	parametrization <sup>(1)</sup>	sound speed [m/s]	density [kg/m <sup>3</sup> ]	kinematic viscosity [mm <sup>2</sup> /s]	valid range of fluid data	WMM <sup>(2)</sup>
Glycol/H <sub>2</sub> O	ethylene glycol	proportion of glycol	1482...1710	999...1132	1...23	-30...+150 °C 0...100 %	x
Petroleum	hydrocarbon	API gravity	530...1800	440...1130	1...> 400	-50...+450 °C -10...+200 °API	
Lubricant	hydrocarbon-based lubricant, kinematic viscosity at 40 °C	viscosity grade (VG)	1433...1485	871...923	1...> 400	-40...+300 °C 1...1500 VG	
Sea water		salinity (S in g/kg)	1482...1840	999...1230	1...1.3	-30...+150 °C 0...300 g/kg	x
Sulfuric acid	mixture of sulfuric acid and water	proportion of sulfuric acid	1280...1560	999...1907	1...12	-20...+250 °C 0...100 %	
Hydrochloric acid	mixture of hydrochloric acid and water	proportion of hydrochloric acid	1482...1527	999...1256	1...1.5	-20...+150 °C 0...50 %	
Nitric acid	mixture of nitric acid and water	proportion of nitric acid	1286...1590	999...1554	1...2.4	-20...+150 °C 0...100 %	
Hydrofluoric acid	mixture of hydrofluoric acid and water	proportion of hydrofluoric acid	804...1482	999...1195	0.5...1	-20...+105 °C 0...100 %	
Soda lye	mixture of soda lye and water	proportion of soda lye	1482...2563	999...1666	1...265	-10...+200 °C 0...65 %	

<sup>(1)</sup> in menu Parameters<sup>(2)</sup> thermal energy rate coefficient included in the fluid data set

### C.4 Properties of water at 1 bar and at saturation pressure

fluid temperature [°C]	fluid pressure [bar]	sound speed [m/s]	density [kg/m <sup>3</sup> ]	specific heat capacity <sup>(1)</sup> [kJ/kg/K <sup>-1</sup> ]
0.1	1.013	1402.9	999.8	4.219
10	1.013	1447.3	999.7	4.195
20	1.013	1482.3	998.2	4.184
30	1.013	1509.2	995.6	4.180
40	1.013	1528.9	992.2	4.179
50	1.013	1542.6	988.0	4.181
60	1.013	1551.0	983.2	4.185
70	1.013	1554.7	977.8	4.190
80	1.013	1554.4	971.8	4.197
90	1.013	1550.5	965.3	4.205
100	1.013	1543.2	958.3	4.216
120	1.985	1519.9	943.1	4.244
140	3.615	1486.2	926.1	4.283
160	6.182	1443.2	907.4	4.335
180	10.03	1391.7	887.0	4.405
200	15.55	1332.1	864.7	4.496
220	23.20	1264.5	840.2	4.615
240	33.47	1189.0	813.4	4.772
260	46.92	1105.3	783.6	4.986
280	64.17	1012.6	750.3	5.289
300	85.88	909.40	712.1	5.750
320	112.8	793.16	667.1	6.537
340	146.0	658.27	610.7	8.208
360	186.7	479.74	527.6	15.00
373.946	220.640	72.356	322.0	∞

<sup>(1)</sup> at constant pressure

## D Self-monitoring and diagnostics (NAMUR NE 107)

The transmitter has self-monitoring and diagnostic functions that are compliant with NE 107 (NAMUR recommendation). This also includes that a status signal is assigned to each event. Thus, a statement about the measuring point can be made. Measures are suggested for each event

Messages of all current events will be displayed. They do not need to be acknowledged.

All messages that have appeared since the diagnostic function was activated are stored in the transmitter. They can be displayed in the program FluxDiag.

Miscellaneous\NE 107\NE 107: Activation

- Select the menu item `Miscellaneous` in the menu `NE 107`.
- Press `ENTER`.
- Select the list item `NE 107: Activation`.
- Press `ENTER`.
- Select `Yes` to activate the diagnostic functions, `No` to deactivate it.
- Press `ENTER`.

### D.1 Status signals

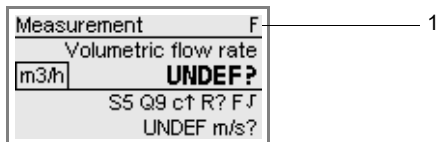
Status signals provide information about the condition and reliability of the measuring point. They are used according to VDI/VDE 2650 and NAMUR recommendation NE 107:

Tab. D.1: Status signals

symbol	description
F	<b>failure</b> The measuring equipment has a malfunction. The output signal is invalid.
C	<b>function check</b> Service work is performed on the transmitter. The output signal is temporary invalid (e.g. frozen).
S	<b>out of specification</b> The transmitter works outside its permissible technical specification.
M	<b>maintenance</b> Maintenance is required. The output signal remains valid.

When an event is detected, the corresponding symbol is shown on the display. In the event of failure "F", the backlight also flashes.

Fig. D.1: Display of an event



1 – status signal symbol

## D.2 Messages

Miscellaneous\NE 107\NE 107: Events

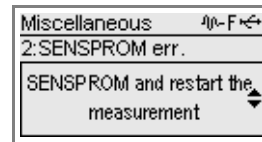
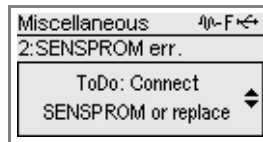
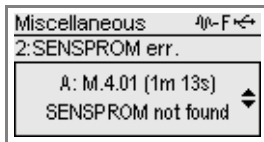
- Select the menu item **Miscellaneous** in the menu **NE 107**.
- Press **ENTER**.
- Select the list item **NE 107: Events**.
- Press **ENTER**.

A list with the current messages (max.10) is displayed. The list items are sorted by importance.



When a message is selected, a description of the event, the operating time since the event has occurred, and actions are displayed.

- Scroll downward to display all information.



## D.3 Overview of messages

The overview shows all preset events.

All events that can occur depend on the hardware the transmitter is equipped with and the configuration of the measuring point.

The FluxDiag program can be used to adapt the diagnostic function:

- For some events the status signals can be changed.
- Some events can be deactivated or activated.

Tab. D.2: Overview of preset events

ID	category	message	measures
1.02	M	backup battery low	replace backup battery
1.03	M	backup battery too low	replace backup battery
1.04	S	device internal temperature high	reduce ambient temperature
1.05	S	device internal temperature too high	1. reduce ambient temperature 2. switch off device
1.06	S	device internal temperature low	increase ambient temperature
1.07	S	device internal temperature too low	increase ambient temperature
1.09	F	DSP communication error	1. reboot device 2. replace device
2.01	C	input: fault current measured	check process input
2.02	F	input: internal error communication	1. reboot device 2. replace input
2.05	F	temperature probe not connected	check temperature connection
2.06	F	temperature probe short circuit	check temperature connection



Tab. D.2: Overview of preset events

ID	category	message	measures
2.07	F	input: fuse broken	1. replace input fuse 2. replace input
2.08	F	input: power failure	replace device
2.09	F	input: switched off	1. reboot device 2. replace input
2.10	S	input: temperature too high	decrease temperature
2.11	S	input: temperature too low	increase temperature
2.12	F	input: measurement overflowed	check process input
2.13	S	input: range exceeded	check input range
2.14	S	input: below range	check input range
2.15	F	input: communication error	1. reboot device 2. replace input
2.16	F	input: packet error	1. reboot device 2. replace input
3.01	S	output: range exceeded	check output range
3.02	S	output: below range	check output range
3.03	F	output: internal error	1. reboot device 2. replace output
3.04	F	output: communication error	1. reboot device 2. replace output
3.05	F	output: packet error	1. reboot device 2. replace output
3.06	S	output: temperature > 140 °C	decrease voltage
3.07	S	output: temperature > 100 °C	decrease voltage
3.09	S	output: max. current exceeded	1. passive output: decrease voltage 2. active output: check if more than one active participant is connected to the current output 3. replace output
3.10	S	output: min. current not reached	1. passive output: increase voltage 2. active output: check connection cable 3. replace output
3.11	S	current output: supply voltage too low	1. increase external voltage 2. shorten connection cable
3.12	S	current output: supply voltage low	1. increase external voltage 2. shorten connection cable
3.14	S	current output: no voltage	1. connect external voltage supply 2. check connection cable
3.15	S	current output: internal voltage source error	1. check connection cable 2. reboot device 3. replace output

Tab. D.2: Overview of preset events

ID	category	message	measures
3.16	F	output: communication error	1. reboot device 2. replace output
3.17	F	output: packet error	1. reboot device 2. replace output
4.01	M	SENSPROM not found	1. connect or replace SENSPROM 2. restart measurement
4.02	F	upstream transducer: temperature invalid	1. check transducer connection 2. replace transducer
4.03	F	downstream transducer: temperature invalid	1. check transducer connection 2. replace transducer
4.04	S	upstream transducer: temperature too high	reduce process temperature
4.05	S	upstream transducer: temperature too low	increase process temperature
4.06	S	downstream transducer: temperature too high	reduce process temperature
4.07	S	downstream transducer: temperature too low	increase process temperature
5.11	S	max. positive flow velocity exceeded	1. decrease flow velocity 2. deactivate customized max. positive flow velocity
5.12	S	max. negative flow velocity exceeded	1. decrease flow velocity 2. deactivate customized max. negative flow velocity
6.01	F	no signal received	1. check measurement arrangement 2. check signal paths 3. check for empty pipe
6.04	M	max. customized gain of a sound path nearly exceeded	1. deactivate max. customized gain 2. check transducer coupling (coupling foil) 3. deposits on inner pipe wall: check measurement arrangement 4. fluid damping: check multiphase issues 5. gas: check min. fluid pressure
6.05	F	max. customized gain of a sound path exceeded	1. deactivate max. customized gain 2. check transducer coupling (coupling foil) 3. deposits on inner pipe wall: check measurement arrangement 4. fluid damping: check multiphase issues 5. gas: check min. fluid pressure
6.06	M	max. customized gain of the measuring point nearly exceeded	1. deactivate max. customized gain 2. check transducer coupling (coupling foil) 3. deposits on inner pipe wall: check measurement arrangement 4. fluid damping: check multiphase issues 5. gas: check min. fluid pressure
6.07	F	max. customized gain of the measuring point exceeded	1. deactivate max. customized gain 2. check transducer coupling (coupling foil) 3. deposits on inner pipe wall: check measurement arrangement 4. fluid damping: check multiphase issues 5. gas: check min. fluid pressure

Tab. D.2: Overview of preset events

ID	category	message	measures
6.08	M	max. gain of a sound path nearly exceeded	<ol style="list-style-type: none"> <li>1. check transducer coupling (coupling foil)</li> <li>2. deposits on inner pipe wall: check measurement arrangement</li> <li>3. fluid damping: check multiphase issues</li> <li>4. gas: check min. fluid pressure</li> </ol>
6.09	F	max. gain of a sound path exceeded	<ol style="list-style-type: none"> <li>1. check transducer coupling (coupling foil)</li> <li>2. deposits on inner pipe wall: check measurement arrangement</li> <li>3. fluid damping: check multiphase issues</li> <li>4. gas: check min. fluid pressure</li> </ol>
6.10	M	signal-to-noise ratio of a sound path low	<ol style="list-style-type: none"> <li>1. check gain</li> <li>2. check electrical connection, shielding and grounding of transducers</li> <li>3. check for acoustic noise at measuring point</li> </ol>
6.11	F	signal-to-noise ratio of a sound path too low	<ol style="list-style-type: none"> <li>1. check gain</li> <li>2. check electrical connection, shielding and grounding of transducers</li> <li>3. check for acoustic noise at measuring point</li> </ol>
6.12	M	signal-to-correlated-noise ratio of a sound path low	<ol style="list-style-type: none"> <li>1. check gain</li> <li>2. check for pipe noise damping</li> <li>3. check for acoustic noise at measuring point</li> </ol>
6.13	F	signal-to-correlated-noise ratio of a sound path too low	<ol style="list-style-type: none"> <li>1. check gain</li> <li>2. check for pipe noise damping</li> <li>3. check for acoustic noise at measuring point</li> </ol>
6.14	M	signal quality of a sound path low	<ol style="list-style-type: none"> <li>1. check transducer distance</li> <li>2. correlation factor of upstream and downstream signal low, check for gain, SNR, SCNR, max. flow velocity</li> </ol>
6.15	F	signal quality of a sound path too low	<ol style="list-style-type: none"> <li>1. check transducer distance</li> <li>2. correlation factor of upstream and downstream signal too low, check for gain, SNR, SCNR, max. flow velocity</li> </ol>
6.20	M	measured sound speed of a sound path low	<ol style="list-style-type: none"> <li>1. check selected fluid</li> <li>2. check temperature</li> <li>3. check pressure</li> <li>4. check measurement arrangement</li> </ol>
6.21	F	measured sound speed of a sound path too low	<ol style="list-style-type: none"> <li>1. check selected fluid</li> <li>2. check temperature</li> <li>3. check pressure</li> <li>4. check measurement arrangement</li> </ol>
6.22	M	measured sound speed of a sound path high	<ol style="list-style-type: none"> <li>1. check selected fluid</li> <li>2. check temperature</li> <li>3. check pressure</li> <li>4. check measurement arrangement</li> </ol>
6.23	F	measured sound speed of a sound path too high	<ol style="list-style-type: none"> <li>1. check selected fluid</li> <li>2. check temperature</li> <li>3. check pressure</li> <li>4. check measurement arrangement</li> </ol>

Tab. D.2: Overview of preset events

ID	category	message	measures
6.24	F	fluid sound speed of a sound path out of range	<ol style="list-style-type: none"> <li>1. check selected fluid</li> <li>2. modify fluid dataset</li> <li>3. pipe noise too high, check for gain, SNR, SCNR</li> </ol>
6.25	M	max. gain of measuring point nearly exceeded	<ol style="list-style-type: none"> <li>1. check transducer coupling (coupling foil)</li> <li>2. deposits on inner pipe wall: check measurement arrangement</li> <li>3. fluid damping: check multiphase issues</li> <li>4. gas: check min. fluid pressure</li> </ol>
6.26	M	max. gain of measuring point exceeded	<ol style="list-style-type: none"> <li>1. check transducer coupling (coupling foil)</li> <li>2. deposits on inner pipe wall: check measurement arrangement</li> <li>3. fluid damping: check multiphase issues</li> <li>4. gas: check min. fluid pressure</li> </ol>
6.27	M	signal-to-noise ratio of the measuring point low	<ol style="list-style-type: none"> <li>1. check gain</li> <li>2. check electrical connection, shielding and grounding of transducers</li> <li>3. check for acoustic noise at measuring point</li> </ol>
6.28	M	signal-to-noise ratio of the measuring point too low	<ol style="list-style-type: none"> <li>1. check gain</li> <li>2. check electrical connection, shielding and grounding of transducers</li> <li>3. check for acoustic noise at measuring point</li> </ol>
6.29	M	signal-to-correlated-noise ratio of the measuring point low	<ol style="list-style-type: none"> <li>1. check gain</li> <li>2. check electrical connection, shielding and grounding of transducers</li> <li>3. check for acoustic noise at measuring point</li> </ol>
6.30	M	signal-to-correlated-noise ratio of the measuring point too low	<ol style="list-style-type: none"> <li>1. check gain</li> <li>2. check electrical connection, shielding and grounding of transducers</li> <li>3. check for acoustic noise at measuring point</li> </ol>
6.31	M	signal quality of the measuring point low	<ol style="list-style-type: none"> <li>1. check transducer distance</li> <li>2. correlation factor of upstream and downstream signal low, check for gain, SNR, SCNR, max. flow velocity</li> </ol>
6.32	M	signal quality of the measuring point too low	<ol style="list-style-type: none"> <li>1. check transducer distance</li> <li>2. correlation factor of upstream and downstream signal too low, check for gain, SNR, SCNR, max. flow velocity</li> </ol>
6.37	M	measured sound speed of the measuring point lower than expected	<ol style="list-style-type: none"> <li>1. check selected fluid</li> <li>2. check temperature</li> <li>3. check pressure</li> <li>4. check measurement arrangement</li> </ol>
6.38	M	measured sound speed of the measuring point much lower than expected	<ol style="list-style-type: none"> <li>1. check selected fluid</li> <li>2. check temperature</li> <li>3. check pressure</li> <li>4. check measurement arrangement</li> </ol>
6.39	M	measured sound speed of the measuring point higher than expected	<ol style="list-style-type: none"> <li>1. check selected fluid</li> <li>2. check temperature</li> <li>3. check pressure</li> <li>4. check measurement arrangement</li> </ol>

Tab. D.2: Overview of preset events

ID	category	message	measures
6.40	M	measured sound speed of the measuring point much higher than expected	<ol style="list-style-type: none"> <li>1. check selected fluid</li> <li>2. check temperature</li> <li>3. check pressure</li> <li>4. check measurement arrangement</li> </ol>
6.41	M	fluid sound speed of the measuring point outside the expected range	<ol style="list-style-type: none"> <li>1. check selected fluid</li> <li>2. modify fluid dataset</li> <li>3. pipe noise too high, check for gain, SNR, SCNR</li> </ol>
6.42	M	path difference of gain high	check transducer coupling
6.43	F	path difference of gain too high	check transducer coupling
6.44	M	path difference of signal-to-noise ratio high	<ol style="list-style-type: none"> <li>1. check gain</li> <li>2. check electrical connection, shielding and grounding of transducers</li> </ol>
6.45	F	path difference of signal-to-noise ratio too high	<ol style="list-style-type: none"> <li>1. check gain</li> <li>2. check electrical connection, shielding and grounding of transducers</li> </ol>
6.46	M	path difference of signal-to-correlated-noise ratio high	<ol style="list-style-type: none"> <li>1. check gain</li> <li>2. check for different acoustic noise between sound paths</li> </ol>
6.47	F	path difference of signal-to-correlated-noise ratio too high	<ol style="list-style-type: none"> <li>1. check gain</li> <li>2. check for different acoustic noise between sound paths</li> </ol>
6.54	M	relative path difference of sound speed high	check transducer distances of sound paths
6.55	F	relative path difference of sound speed too high	check transducer distances of sound paths

## E Legal information – open source licenses

The software of this product contains the following open-source software which is subject to the Apache license version 2.0 dated January 2004:

### 1. uC-TCP-IP

<https://github.com/weston-embedded/uC-TCP-IP/tree/v3.06.01>

<https://github.com/weston-embedded/uC-TCP-IP/blob/v3.06.01/LICENSE>

<https://github.com/weston-embedded/uC-TCP-IP/blob/v3.06.01/NOTICE>

ATTENTION ALL USERS OF THIS REPOSITORY:

The original work found in this repository is provided by Silicon Labs under the Apache License, Version 2.0.

Any third party may contribute derivative works to the original work in which modifications are clearly identified as being licensed under:

- (1) the Apache License, Version 2.0 or a compatible open source license; or
- (2) under a proprietary license with a copy of such license deposited.

All posted derivative works must clearly identify which license choice has been elected.

No such posted derivative works will be considered to be a "Contribution" under the Apache License, Version 2.0.

SILICON LABS MAKES NO WARRANTY WITH RESPECT TO ALL POSTED THIRD PARTY CONTENT AND DISCLAIMS ALL OTHER WARRANTIES OR LIABILITIES, INCLUDING ALL WARRANTIES OF MERCHANTABILITY, FITNESS FOR A PARTICULAR PURPOSE, TITLE, OWNERSHIP, NON-INFRINGEMENT, AND NON-MISAPPROPRIATION.

In the event a derivative work is desired to be submitted to Silicon Labs as a "Contribution" under the Apache License, Version 2.0, a "Contributor" must give written email notice to [micrium@weston-embedded.com](mailto:micrium@weston-embedded.com). Unless an email response in the affirmative to accept the derivative work as a "Contribution", such email submission should be considered to have not been incorporated into the original work.

### 2. uC-Common

<https://github.com/weston-embedded/uC-Common/tree/v1.02.01>

<https://github.com/weston-embedded/uC-Common/blob/v1.02.01/LICENSE>

<https://github.com/weston-embedded/uC-Common/blob/v1.02.01/NOTICE>

ATTENTION ALL USERS OF THIS REPOSITORY:

The original work found in this repository is provided by Silicon Labs under the Apache License, Version 2.0.

Any third party may contribute derivative works to the original work in which modifications are clearly identified as being licensed under:

- (1) the Apache License, Version 2.0 or a compatible open source license; or
- (2) under a proprietary license with a copy of such license deposited.

All posted derivative works must clearly identify which license choice has been elected.

No such posted derivative works will be considered to be a "Contribution" under the Apache License, Version 2.0.

SILICON LABS MAKES NO WARRANTY WITH RESPECT TO ALL POSTED THIRD PARTY CONTENT AND DISCLAIMS ALL OTHER WARRANTIES OR LIABILITIES, INCLUDING ALL WARRANTIES OF MERCHANTABILITY, FITNESS FOR A PARTICULAR PURPOSE, TITLE, OWNERSHIP, NON-INFRINGEMENT, AND NON-MISAPPROPRIATION.

In the event a derivative work is desired to be submitted to Silicon Labs as a "Contribution" under the Apache License, Version 2.0, a "Contributor" must give written email notice to [micrium@weston-embedded.com](mailto:micrium@weston-embedded.com). Unless an email response in the affirmative to accept the derivative work as a "Contribution", such email submission should be considered to have not been incorporated into the original work.

### 3. uC-DHCPc

<https://github.com/weston-embedded/uC-DHCPc/tree/v2.11.01>

<https://github.com/weston-embedded/uC-DHCPc/blob/v2.11.01/LICENSE>

<https://github.com/weston-embedded/uC-DHCPc/blob/v2.11.01/NOTICE>

ATTENTION ALL USERS OF THIS REPOSITORY:

The original work found in this repository is provided by Silicon Labs under the Apache License, Version 2.0.

Any third party may contribute derivative works to the original work in which modifications are clearly identified as being licensed under:

- (1) the Apache License, Version 2.0 or a compatible open source license; or
- (2) under a proprietary license with a copy of such license deposited.

All posted derivative works must clearly identify which license choice has been elected.

No such posted derivative works will be considered to be a "Contribution" under the Apache License, Version 2.0.

SILICON LABS MAKES NO WARRANTY WITH RESPECT TO ALL POSTED THIRD PARTY CONTENT AND DISCLAIMS ALL OTHER WARRANTIES OR LIABILITIES, INCLUDING ALL WARRANTIES OF MERCHANTABILITY, FITNESS FOR A PARTICULAR PURPOSE, TITLE, OWNERSHIP, NON-INFRINGEMENT, AND NON-MISAPPROPRIATION.

In the event a derivative work is desired to be submitted to Silicon Labs as a "Contribution" under the Apache License, Version 2.0, a "Contributor" must give written email notice to [micrium@weston-embedded.com](mailto:micrium@weston-embedded.com). Unless an email response in the affirmative to accept the derivative work as a "Contribution", such email submission should be considered to have not been incorporated into the original work.

### 4. uC-LIB

<https://github.com/weston-embedded/uC-LIB/tree/v1.39.01>

<https://github.com/weston-embedded/uC-LIB/blob/v1.39.01/LICENSE>

<https://github.com/weston-embedded/uC-LIB/blob/v1.39.01/NOTICE>

ATTENTION ALL USERS OF THIS REPOSITORY:

The original work found in this repository is provided by Silicon Labs under the Apache License, Version 2.0.

Any third party may contribute derivative works to the original work in which modifications are clearly identified as being licensed under:

- (1) the Apache License, Version 2.0 or a compatible open source license; or
- (2) under a proprietary license with a copy of such license deposited.

All posted derivative works must clearly identify which license choice has been elected.

No such posted derivative works will be considered to be a "Contribution" under the Apache License, Version 2.0.

SILICON LABS MAKES NO WARRANTY WITH RESPECT TO ALL POSTED THIRD PARTY CONTENT AND DISCLAIMS ALL OTHER WARRANTIES OR LIABILITIES, INCLUDING ALL WARRANTIES OF MERCHANTABILITY, FITNESS FOR A PARTICULAR PURPOSE, TITLE, OWNERSHIP, NON-INFRINGEMENT, AND NON-MISAPPROPRIATION.

In the event a derivative work is desired to be submitted to Silicon Labs as a "Contribution" under the Apache License, Version 2.0, a "Contributor" must give written email notice to [micrium@weston-embedded.com](mailto:micrium@weston-embedded.com). Unless an email response in the affirmative to accept the derivative work as a "Contribution", such email submission should be considered to have not been incorporated into the original work.

Apache License

Version 2.0, January 2004

<http://www.apache.org/licenses/>

## TERMS AND CONDITIONS FOR USE, REPRODUCTION, AND DISTRIBUTION

### 1. Definitions.

"License" shall mean the terms and conditions for use, reproduction, and distribution as defined by Sections 1 through 9 of this document.

"Licensor" shall mean the copyright owner or entity authorized by the copyright owner that is granting the License.

"Legal Entity" shall mean the union of the acting entity and all other entities that control, are controlled by, or are under common control with that entity. For the purposes of this definition, "control" means (i) the power, direct or indirect, to cause the direction or management of such entity, whether by contract or otherwise, or (ii) ownership of fifty percent (50 %) or more of the outstanding shares, or (iii) beneficial ownership of such entity.

"You" (or "Your") shall mean an individual or Legal Entity exercising permissions granted by this License.

"Source" form shall mean the preferred form for making modifications, including but not limited to software source code, documentation source, and configuration files.

"Object" form shall mean any form resulting from mechanical transformation or translation of a Source form, including but not limited to compiled object code, generated documentation, and conversions to other media types.

"Work" shall mean the work of authorship, whether in Source or Object form, made available under the License, as indicated by a copyright notice that is included in or attached to the work (an example is provided in the Appendix below).

"Derivative Works" shall mean any work, whether in Source or Object form, that is based on (or derived from) the Work and for which the editorial revisions, annotations, elaborations, or other modifications represent, as a whole, an original work of authorship. For the purposes of this License, Derivative Works shall not include works that remain separable from, or merely link (or bind by name) to the interfaces of, the Work and Derivative Works thereof.

"Contribution" shall mean any work of authorship, including the original version of the Work and any modifications or additions to that Work or Derivative Works thereof, that is intentionally submitted to Licensor for inclusion in the Work by the copyright owner or by an individual or Legal Entity authorized to submit on behalf of the copyright owner. For the purposes of this definition, "submitted" means any form of electronic, verbal, or written communication sent to the Licensor or its representatives, including but not limited to communication on electronic mailing lists, source code control systems, and issue tracking systems that are managed by, or on behalf of, the Licensor for the purpose of discussing and improving the Work, but excluding communication that is conspicuously marked or otherwise designated in writing by the copyright owner as "Not a Contribution."

"Contributor" shall mean Licensor and any individual or Legal Entity on behalf of whom a Contribution has been received by Licensor and subsequently incorporated within the Work.

2. Grant of Copyright License. Subject to the terms and conditions of this License, each Contributor hereby grants to You a perpetual, worldwide, non-exclusive, no-charge, royalty-free, irrevocable copyright license to reproduce, prepare Derivative Works of, publicly display, publicly perform, sublicense, and distribute the Work and such Derivative Works in Source or Object form.
3. Grant of Patent License. Subject to the terms and conditions of this License, each Contributor hereby grants to You a perpetual, worldwide, non-exclusive, no-charge, royalty-free, irrevocable (except as stated in this section) patent license to make, have made, use, offer to sell, sell, import, and otherwise transfer the Work, where such license applies only to those patent claims licensable by such Contributor that are necessarily infringed by their Contribution(s) alone or by combination of their Contribution(s) with the Work to which such Contribution(s) was submitted. If You institute patent litigation against any entity (including a cross-claim or counterclaim in a lawsuit) alleging that the Work or a Contribution incorporated within the Work constitutes direct or contributory patent infringement, then any patent licenses granted to You under this License for that Work shall terminate as of the date such litigation is filed.
4. Redistribution. You may reproduce and distribute copies of the Work or Derivative Works thereof in any medium, with or without modifications, and in Source or Object form, provided that You meet the following conditions:
  - (a) You must give any other recipients of the Work or Derivative Works a copy of this License; and
  - (b) You must cause any modified files to carry prominent notices stating that You changed the files; and
  - (c) You must retain, in the Source form of any Derivative Works that You distribute, all copyright, patent, trademark, and attribution notices from the Source form of the Work, excluding those notices that do not pertain to any part of the Derivative Works; and



(d) If the Work includes a "NOTICE" text file as part of its distribution, then any Derivative Works that You distribute must include a readable copy of the attribution notices contained within such NOTICE file, excluding those notices that do not pertain to any part of the Derivative Works, in at least one of the following places: within a NOTICE text file distributed as part of the Derivative Works; within the Source form or documentation, if provided along with the Derivative Works; or, within a display generated by the Derivative Works, if and wherever such third-party notices normally appear. The contents of the NOTICE file are for informational purposes only and do not modify the License. You may add Your own attribution notices within Derivative Works that You distribute, alongside or as an addendum to the NOTICE text from the Work, provided that such additional attribution notices cannot be construed as modifying the License.

You may add Your own copyright statement to Your modifications and may provide additional or different license terms and conditions for use, reproduction, or distribution of Your modifications, or for any such Derivative Works as a whole, provided Your use, reproduction, and distribution of the Work otherwise complies with the conditions stated in this License.

5. **Submission of Contributions.** Unless You explicitly state otherwise, any Contribution intentionally submitted for inclusion in the Work by You to the Licensor shall be under the terms and conditions of this License, without any additional terms or conditions. Notwithstanding the above, nothing herein shall supersede or modify the terms of any separate license agreement you may have executed with Licensor regarding such Contributions.
6. **Trademarks.** This License does not grant permission to use the trade names, trademarks, service marks, or product names of the Licensor, except as required for reasonable and customary use in describing the origin of the Work and reproducing the content of the NOTICE file.
7. **Disclaimer of Warranty.** Unless required by applicable law or agreed to in writing, Licensor provides the Work (and each Contributor provides its Contributions) on an "AS IS" BASIS, WITHOUT WARRANTIES OR CONDITIONS OF ANY KIND, either express or implied, including, without limitation, any warranties or conditions of TITLE, NON-INFRINGEMENT, MERCHANTABILITY, or FITNESS FOR A PARTICULAR PURPOSE. You are solely responsible for determining the appropriateness of using or redistributing the Work and assume any risks associated with Your exercise of permissions under this License.
8. **Limitation of Liability.** In no event and under no legal theory, whether in tort (including negligence), contract, or otherwise, unless required by applicable law (such as deliberate and grossly negligent acts) or agreed to in writing, shall any Contributor be liable to You for damages, including any direct, indirect, special, incidental, or consequential damages of any character arising as a result of this License or out of the use or inability to use the Work (including but not limited to damages for loss of goodwill, work stoppage, computer failure or malfunction, or any and all other commercial damages or losses), even if such Contributor has been advised of the possibility of such damages.
9. **Accepting Warranty or Additional Liability.** While redistributing the Work or Derivative Works thereof, You may choose to offer, and charge a fee for, acceptance of support, warranty, indemnity, or other liability obligations and/or rights consistent with this License. However, in accepting such obligations, You may act only on Your own behalf and on Your sole responsibility, not on behalf of any other Contributor, and only if You agree to indemnify, defend, and hold each Contributor harmless for any liability incurred by, or claims asserted against, such Contributor by reason of your accepting any such warranty or additional liability.

## END OF TERMS AND CONDITIONS

### APPENDIX: How to apply the Apache License to your work.

To apply the Apache License to your work, attach the following boilerplate notice, with the fields enclosed by brackets "[]" replaced with your own identifying information. (Don't include the brackets!) The text should be enclosed in the appropriate comment syntax for the file format. We also recommend that a file or class name and description of purpose be included on the same "printed page" as the copyright notice for easier identification within third-party archives.

Copyright [yyyy] [name of copyright owner]

Licensed under the Apache License, Version 2.0 (the "License"); you may not use this file except in compliance with the License. You may obtain a copy of the License at

<http://www.apache.org/licenses/LICENSE-2.0>

Unless required by applicable law or agreed to in writing, software distributed under the License is distributed on an "AS IS" BASIS, WITHOUT WARRANTIES OR CONDITIONS OF ANY KIND, either express or implied.

See the License for the specific language governing permissions and limitations under the License.

## Operating Instruction

UMPIOX\_S831V1-4-0-0EN

AN 26424

For more information: **Emerson.com**

© 2024 Emerson. All rights reserved.

Emerson Terms and Conditions of Sale are available upon request.

The Emerson logo is a trademark and service mark of Emerson Electric Co. Flexim is a mark of one of the Emerson family of companies. All other marks are the property of their respective owners.

**FLEXIM**

