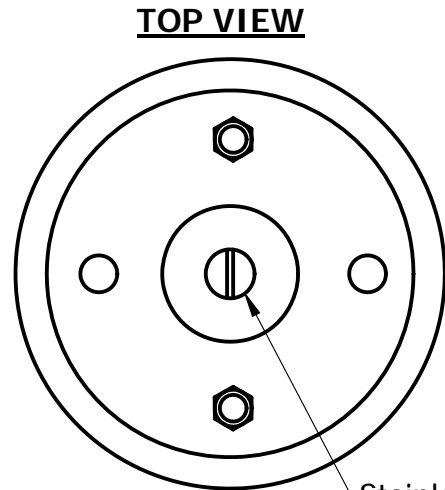
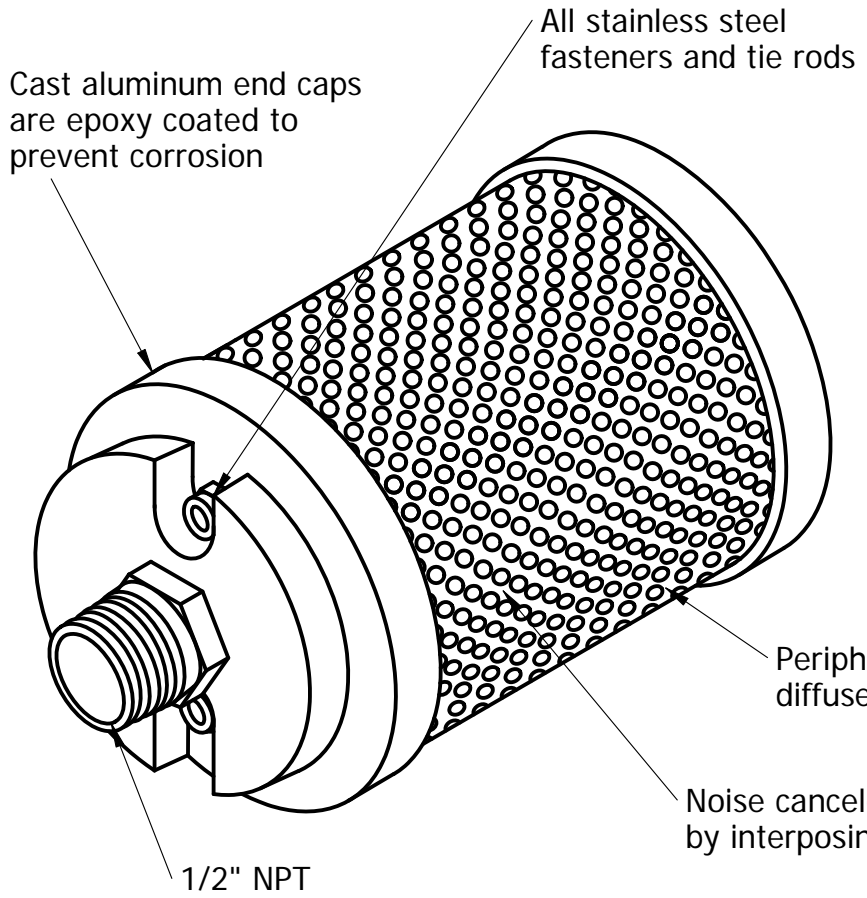


REVISIONS		
REV	ECN	DATE



Stainless steel relief mechanism will prevent muffler from ever blocking the exhaust

1500 PSI RATE

UNLESS OTHERWISE SPECIFIED		
TOLERANCES DECIMAL IN. MM. .X X ± .030 .XXX ± .005 .XXXX ± .0005 ANGULAR ±1° THD ±1 TURN		GENERAL NOTES 1. DIMENSIONS ARE IN INCHES [MM] 2. REMOVE BURRS AND BREAK SHARP EDGES 3. CHAMFER ANGLES ± 5° 4. FILLETS 0.031R ± 0.015 [0.8R ± 0.4] 5. CHAMFER FIRST THREAD 6. SURFACE FINISH RMS 125-250µin [3.2-6.3µm] 7. DO NOT SCALE DRAWING 8. DRILLED HOLES TOLERANCES ARE PER ES-7
<small>THIS DOCUMENT AND THE DATA DISCLOSED HEREIN OR HEREWITH IS NOT TO BE REPRODUCED, USED OR DISCLOSED IN WHOLE OR IN PART TO ANYONE WITHOUT THE PERMISSION OF EMERSON.</small>		APPROX. WEIGHT [KGS] LBS
THIRD ANGLE PROJECTION 		DRN SCALE NONE

EMERSON
Process Management

EXHAUST MUFFLER
98675-A

APR	CHK	DATE 12-09-09	REV
DWG. NO.		SHEET 1 OF 1	