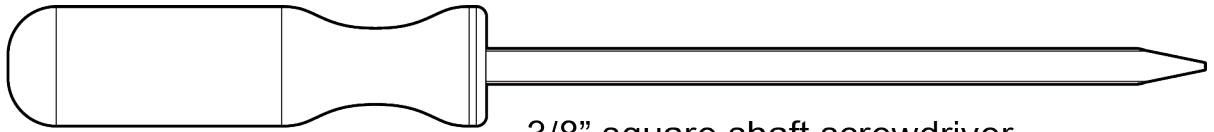


Replacing the Junction Box for the 1600 Transmitter



Required tools

1



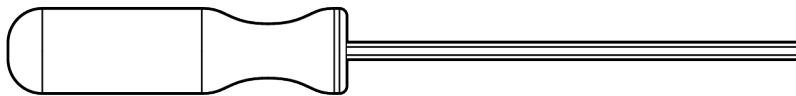
3/8" square shaft screwdriver

2



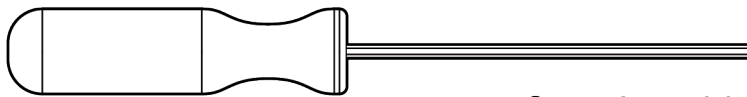
4.0mm hex driver

3



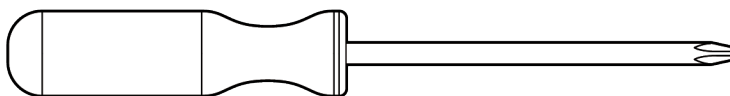
2.5mm hex driver

4



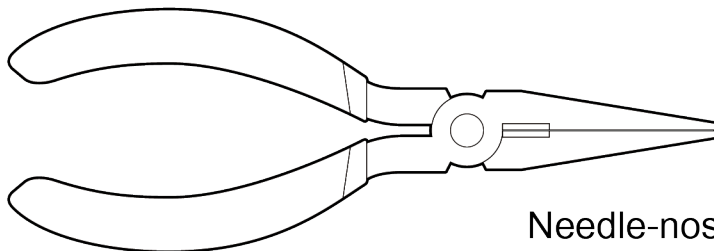
2mm hex driver

5



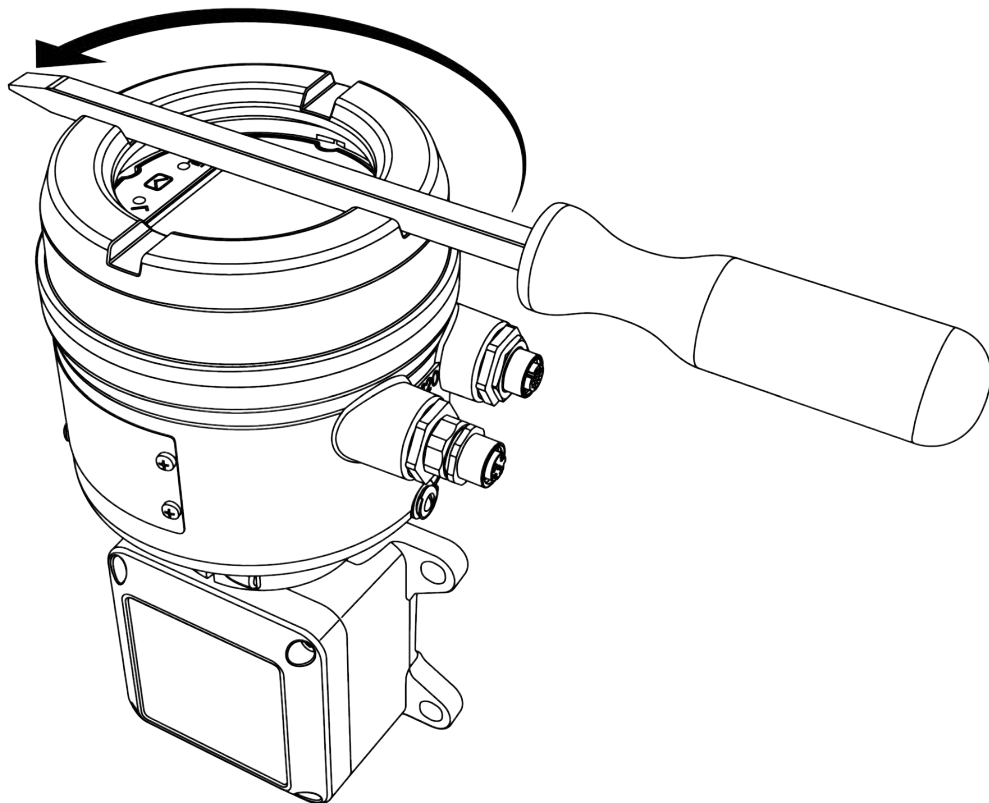
#1 Phillips screwdriver

6

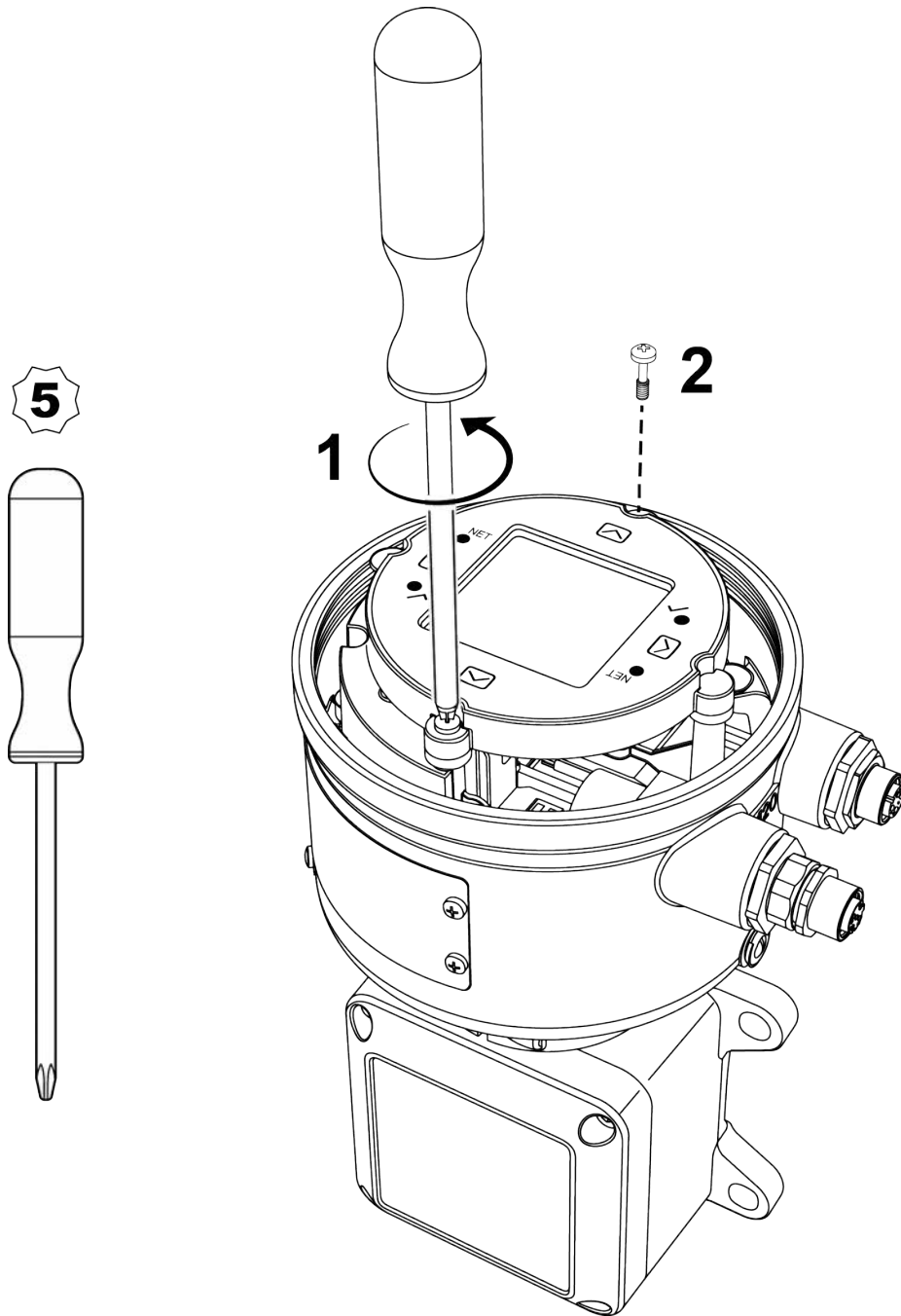


Needle-nose pliers

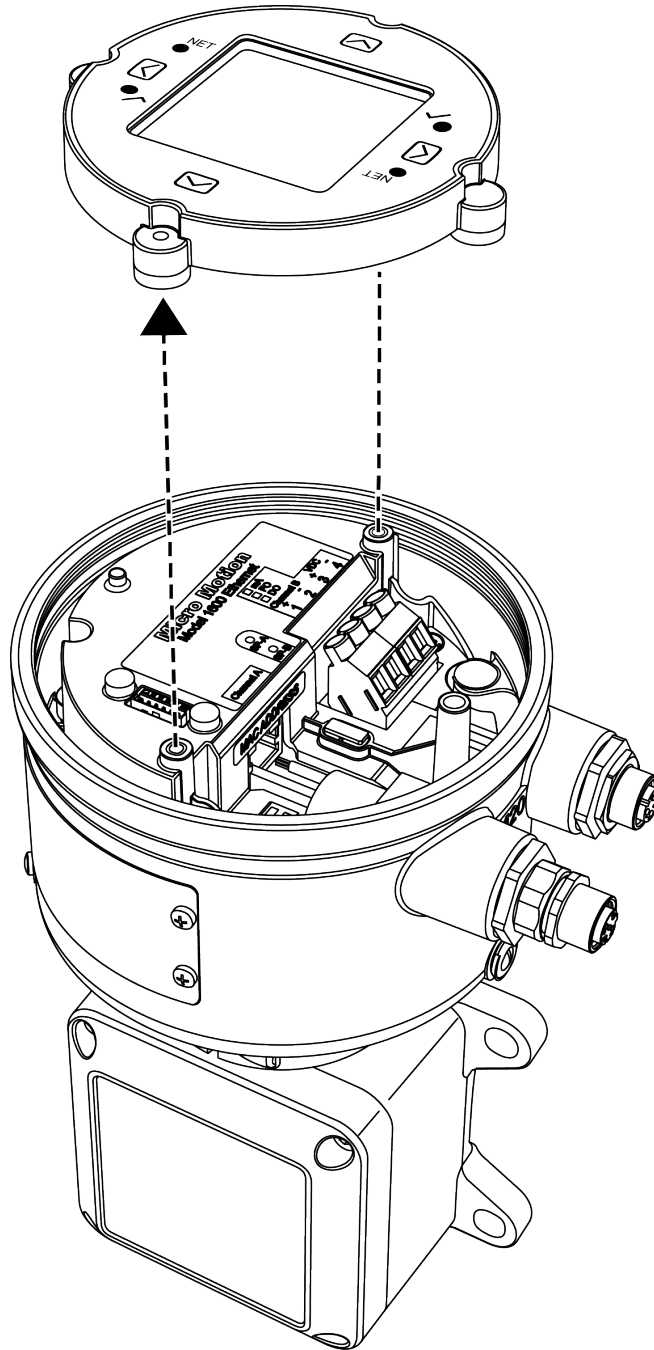
1.



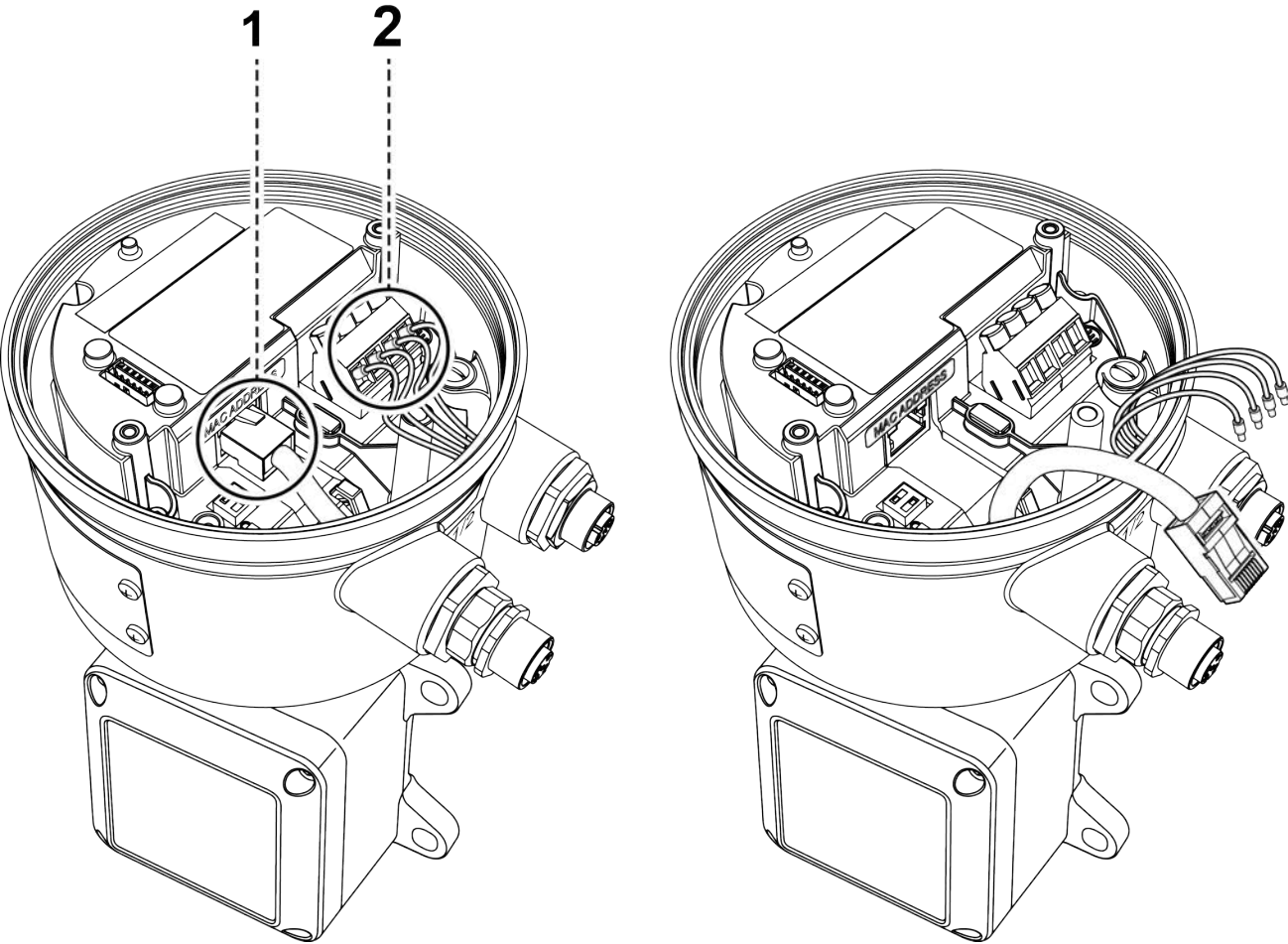
2.



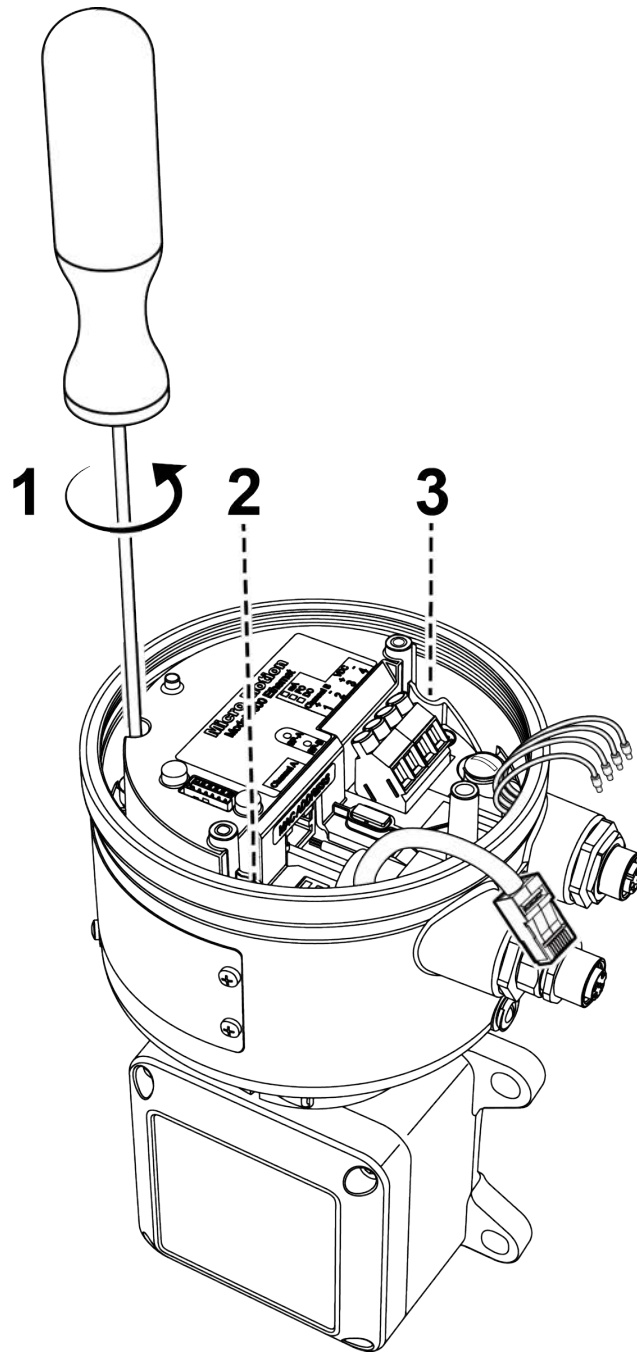
3.



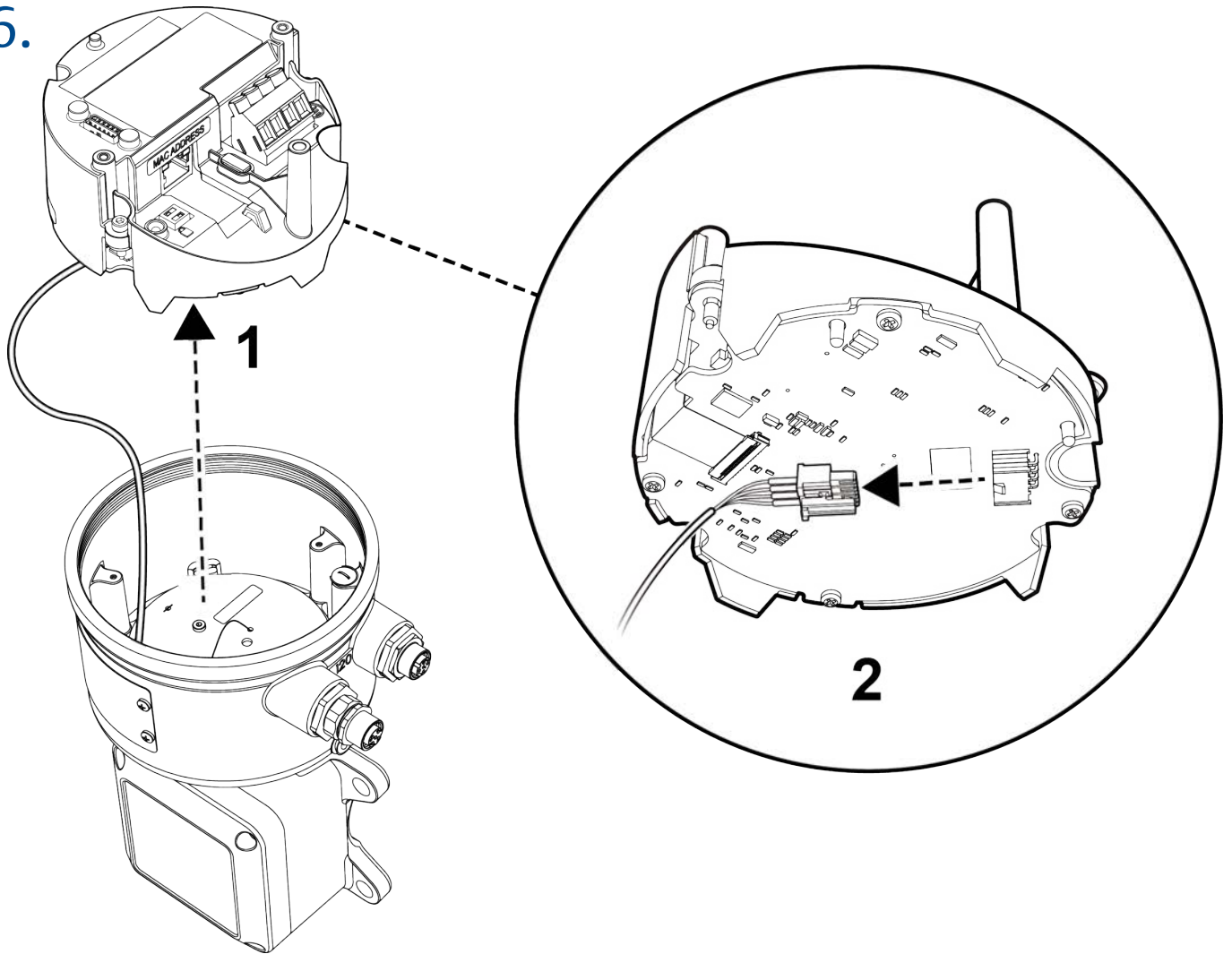
4.



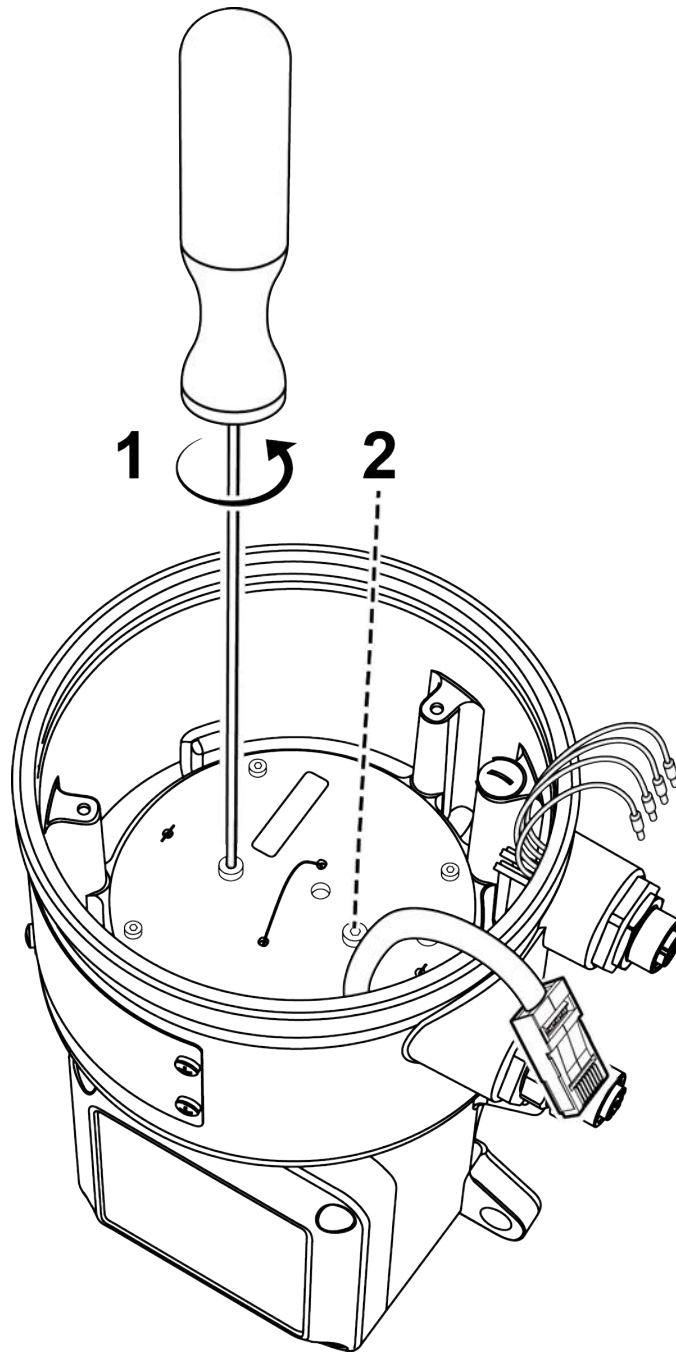
5.



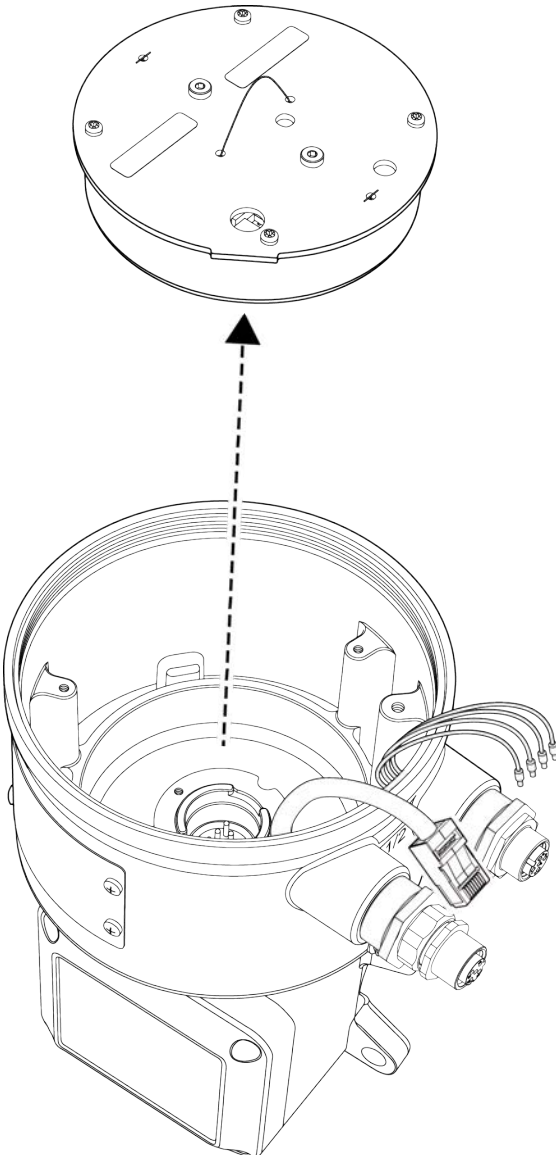
6.



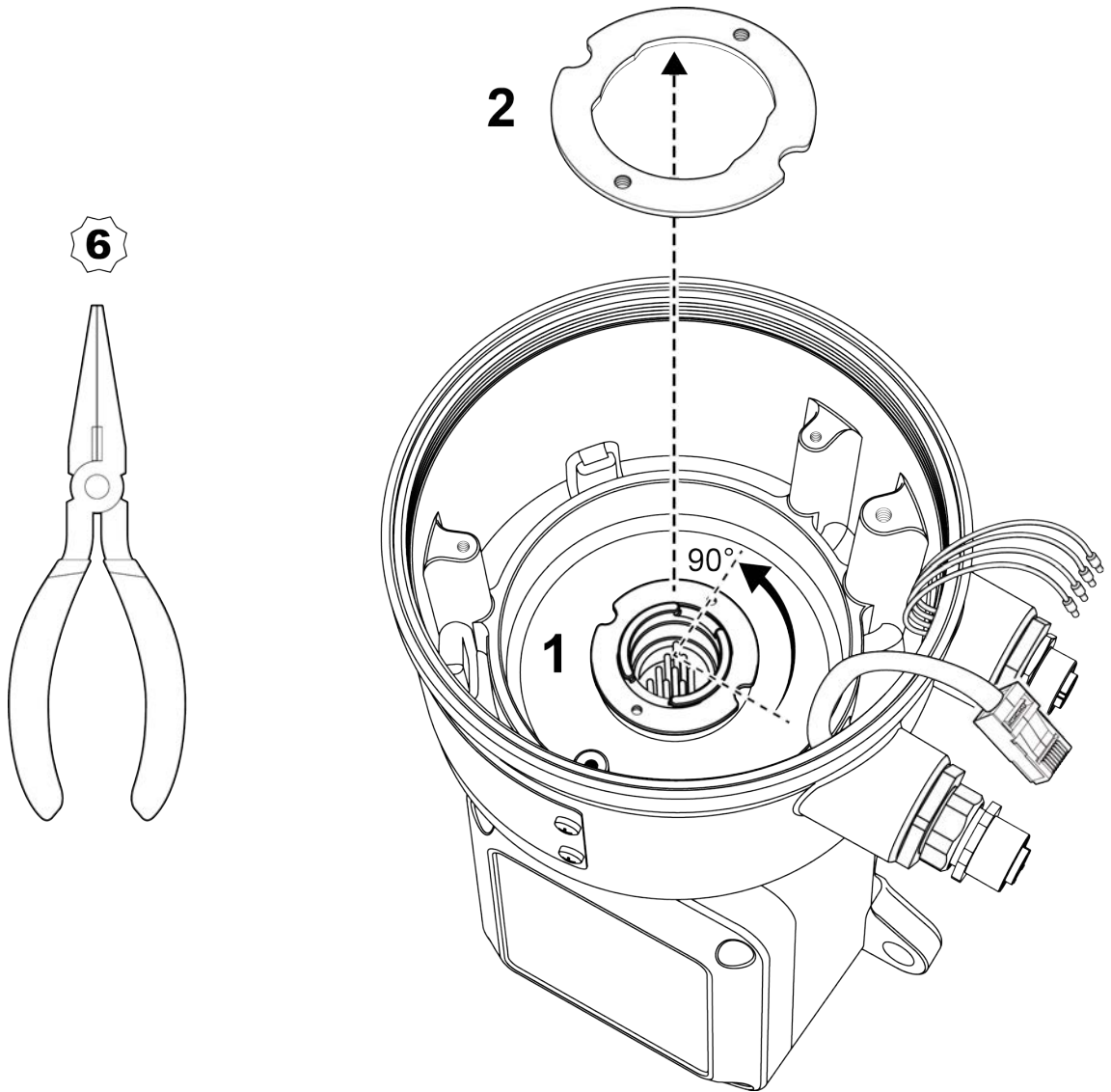
7.



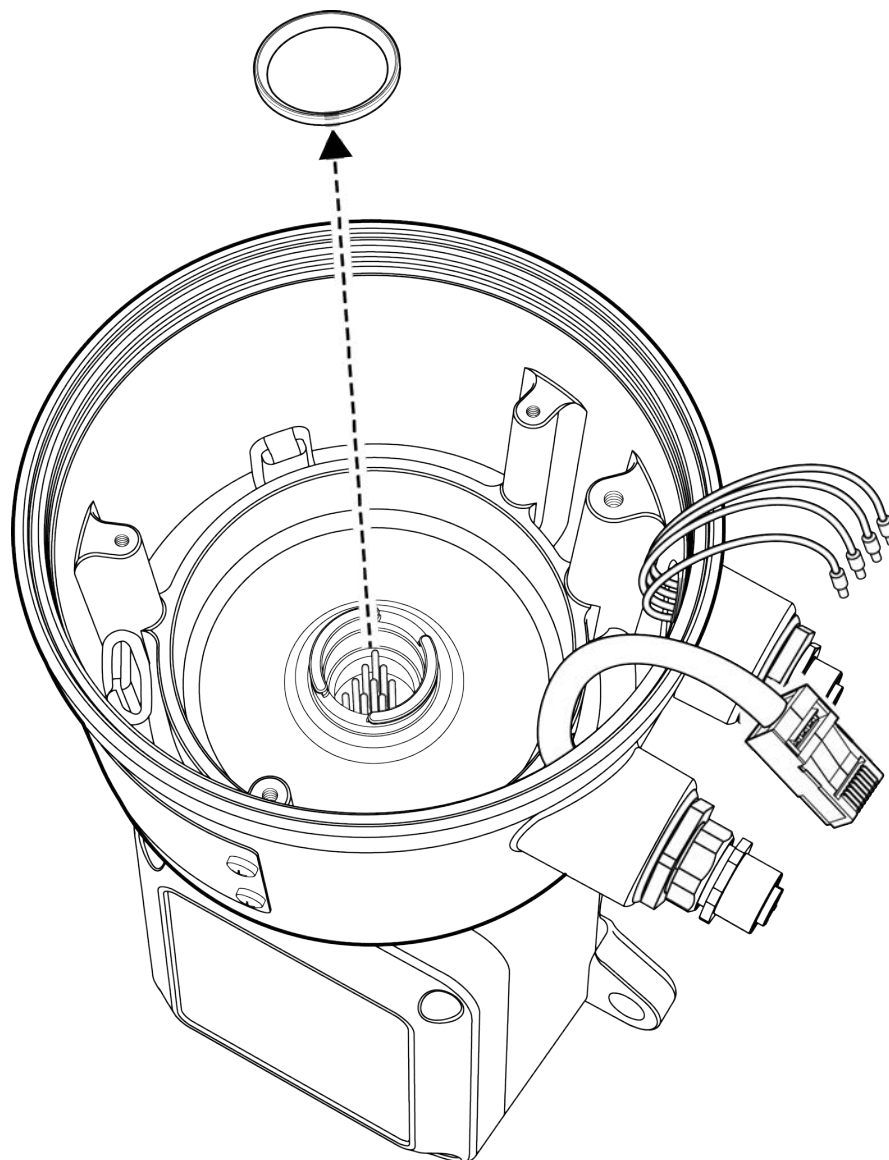
8.



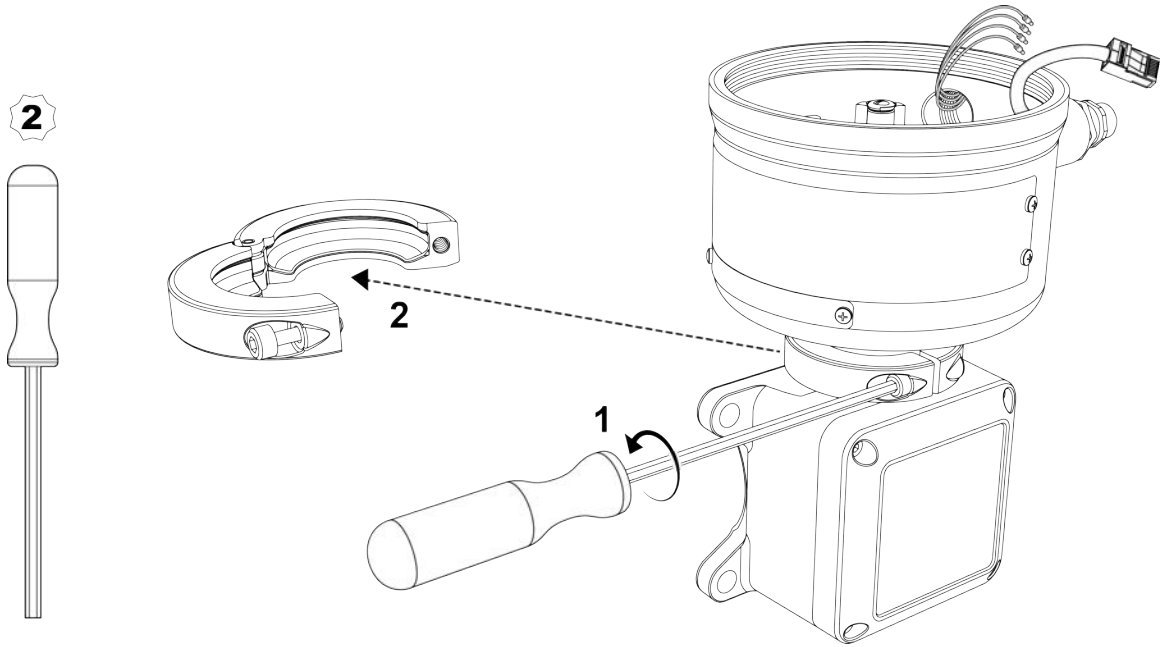
9.



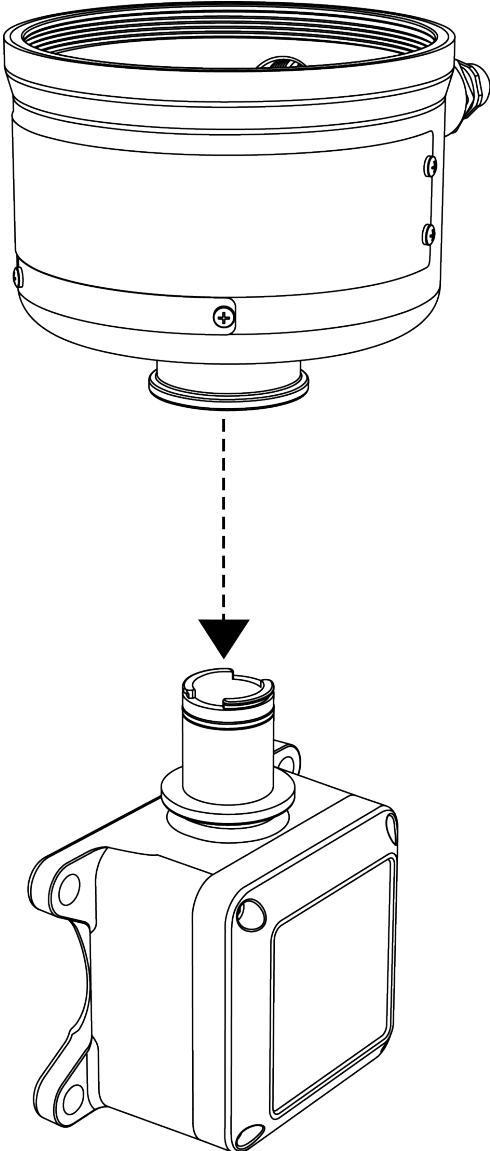
10.



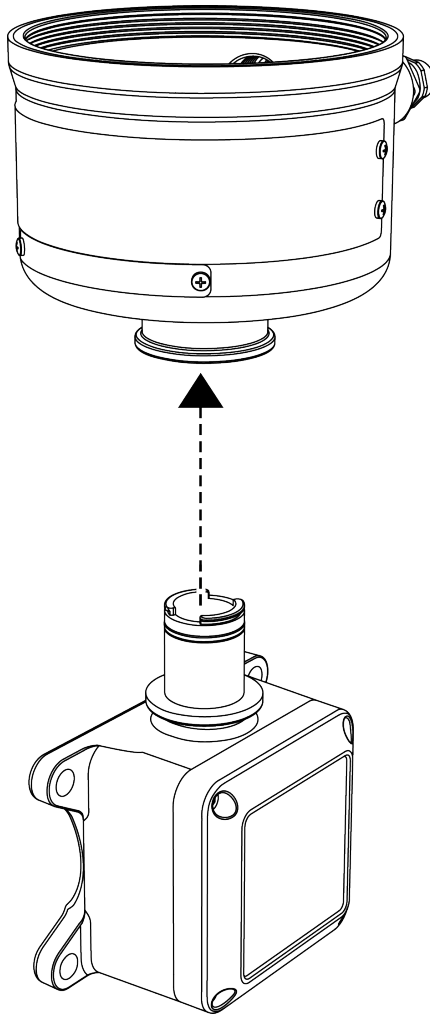
11.



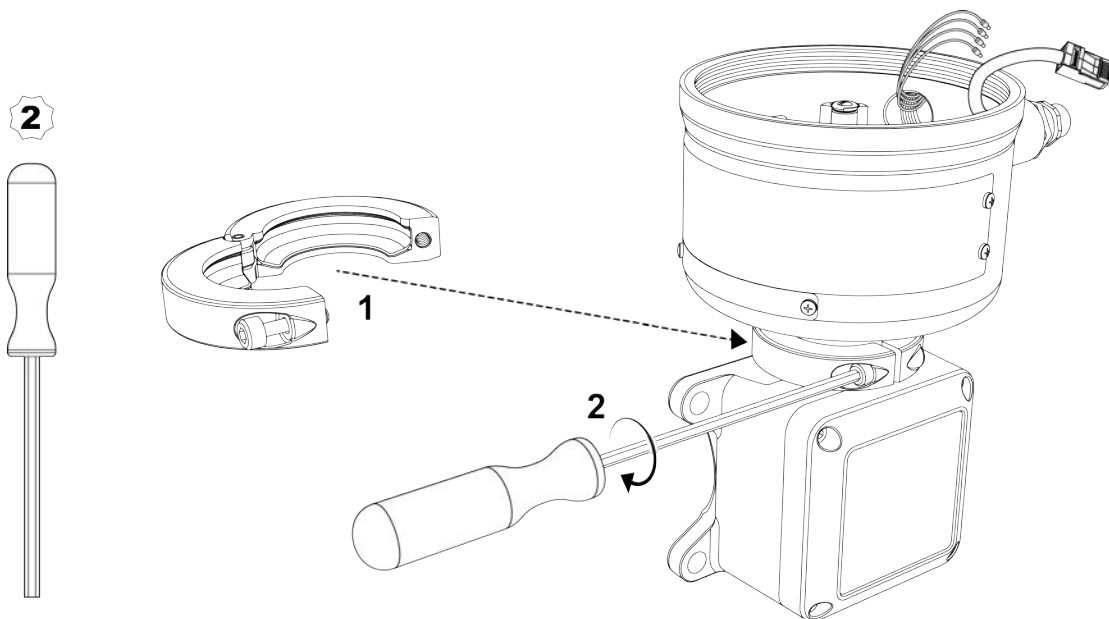
12.



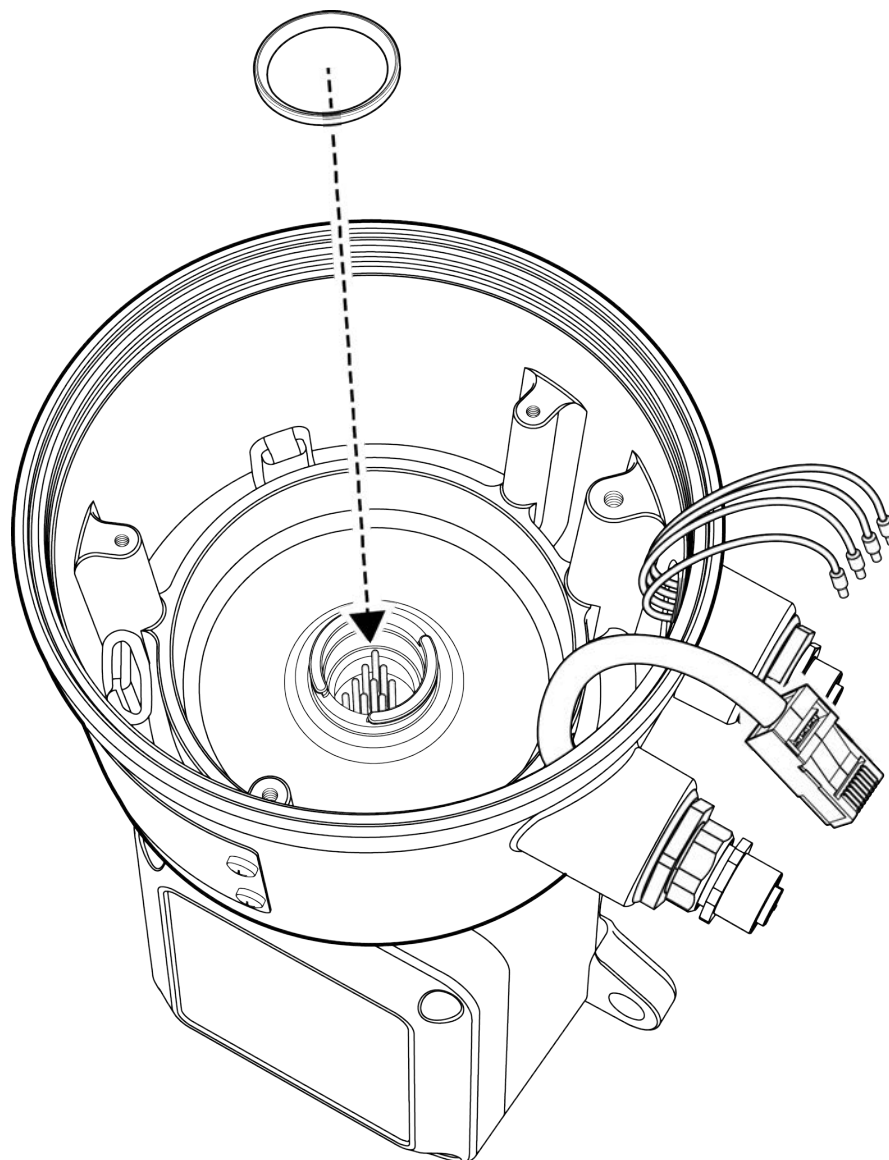
13.



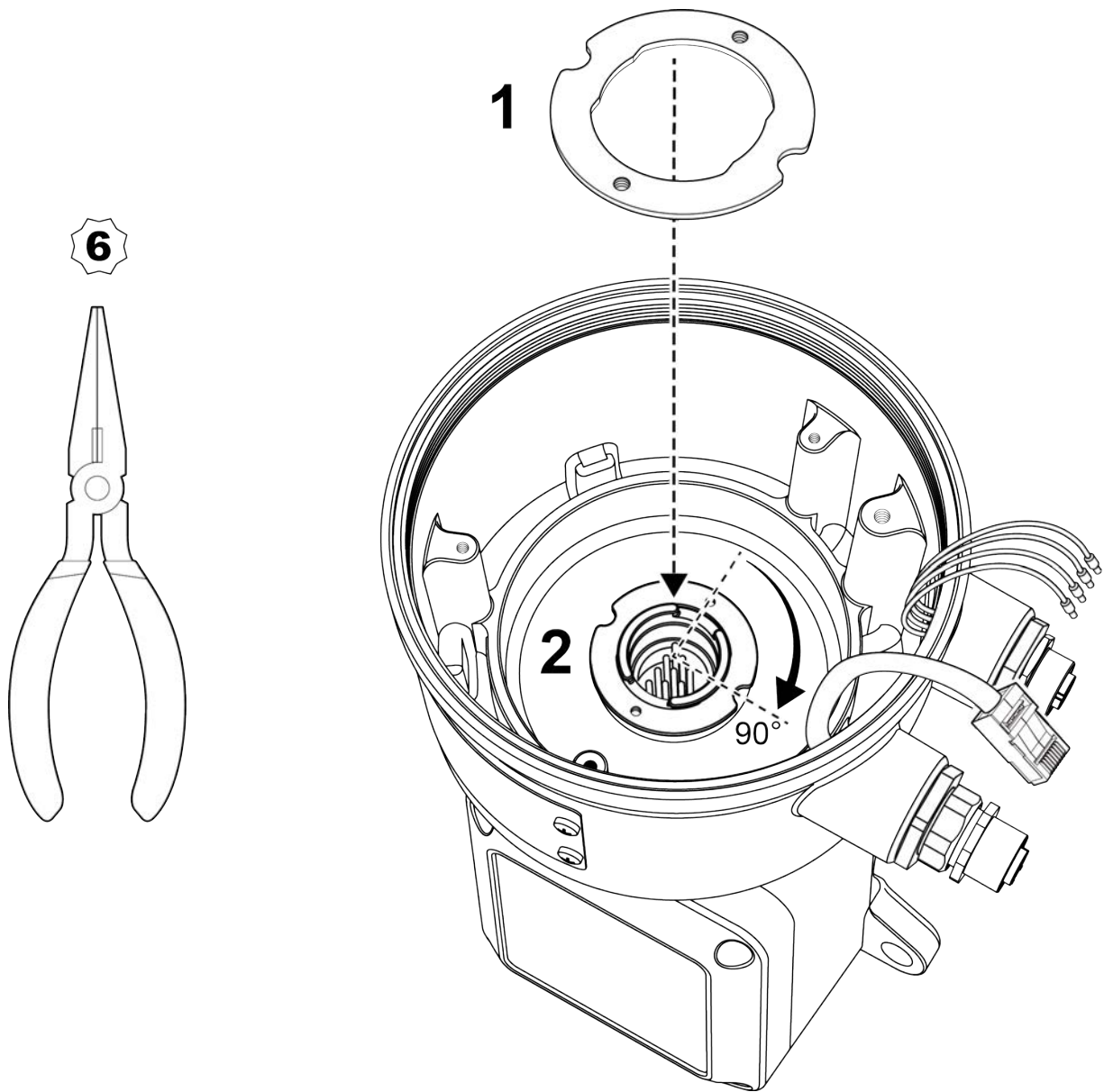
14.



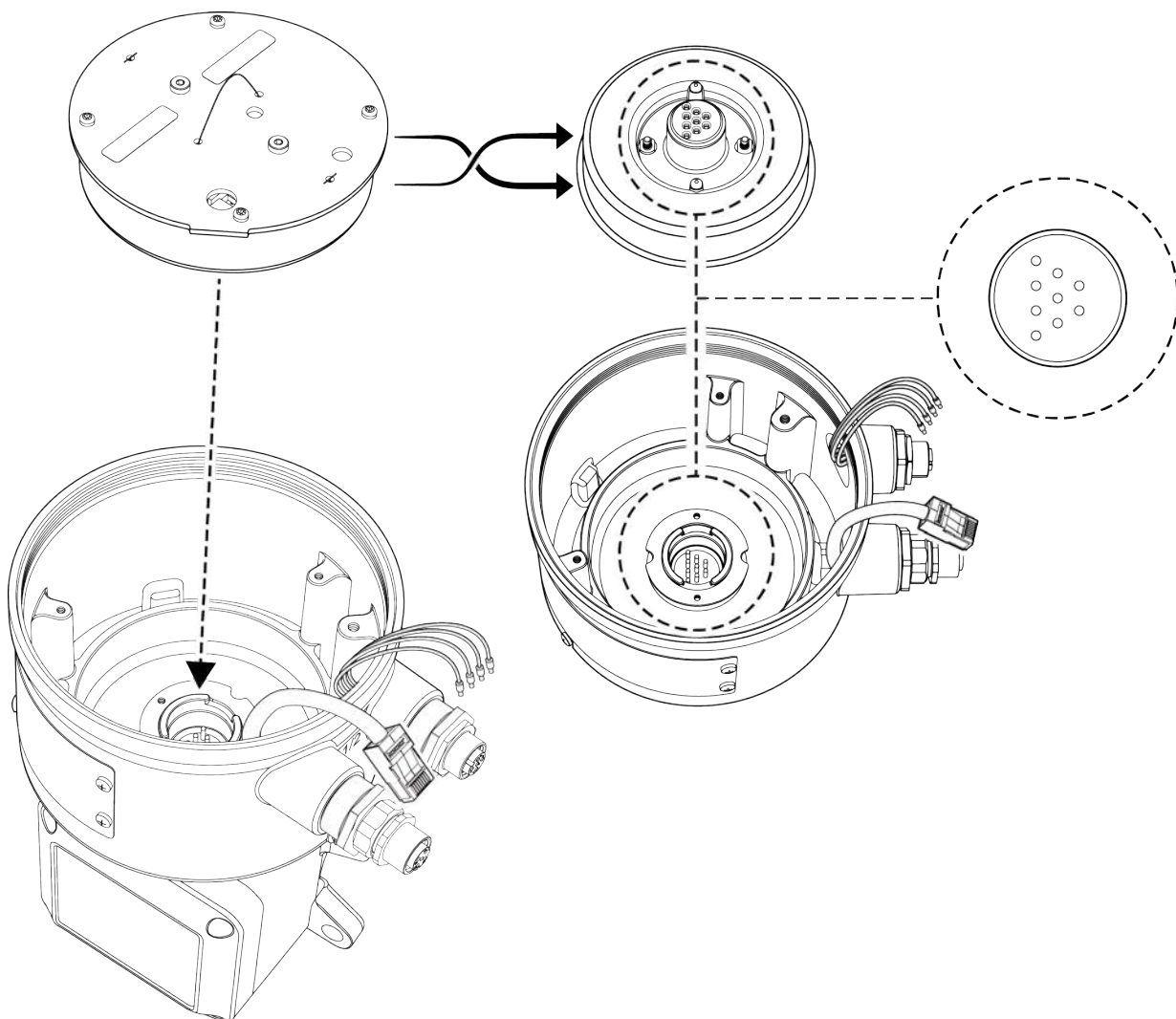
15.



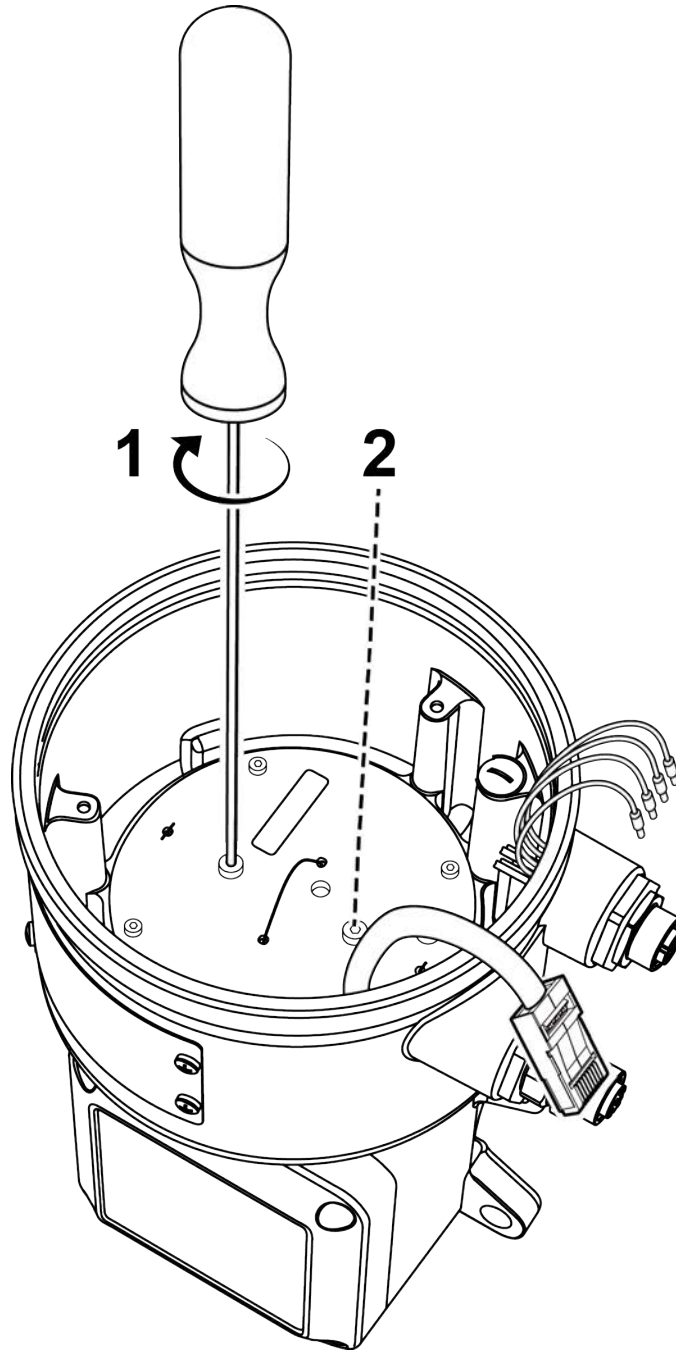
16.



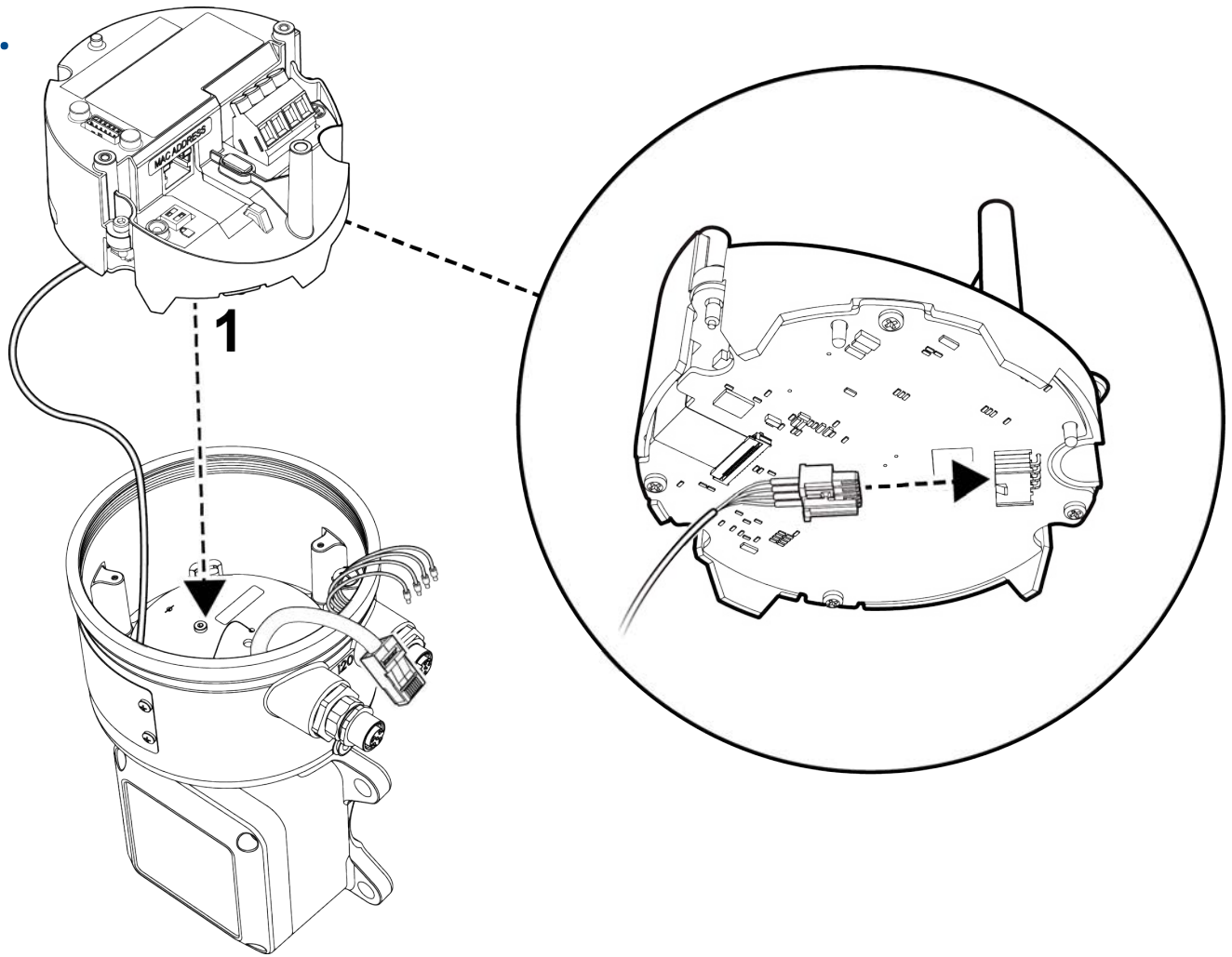
17.



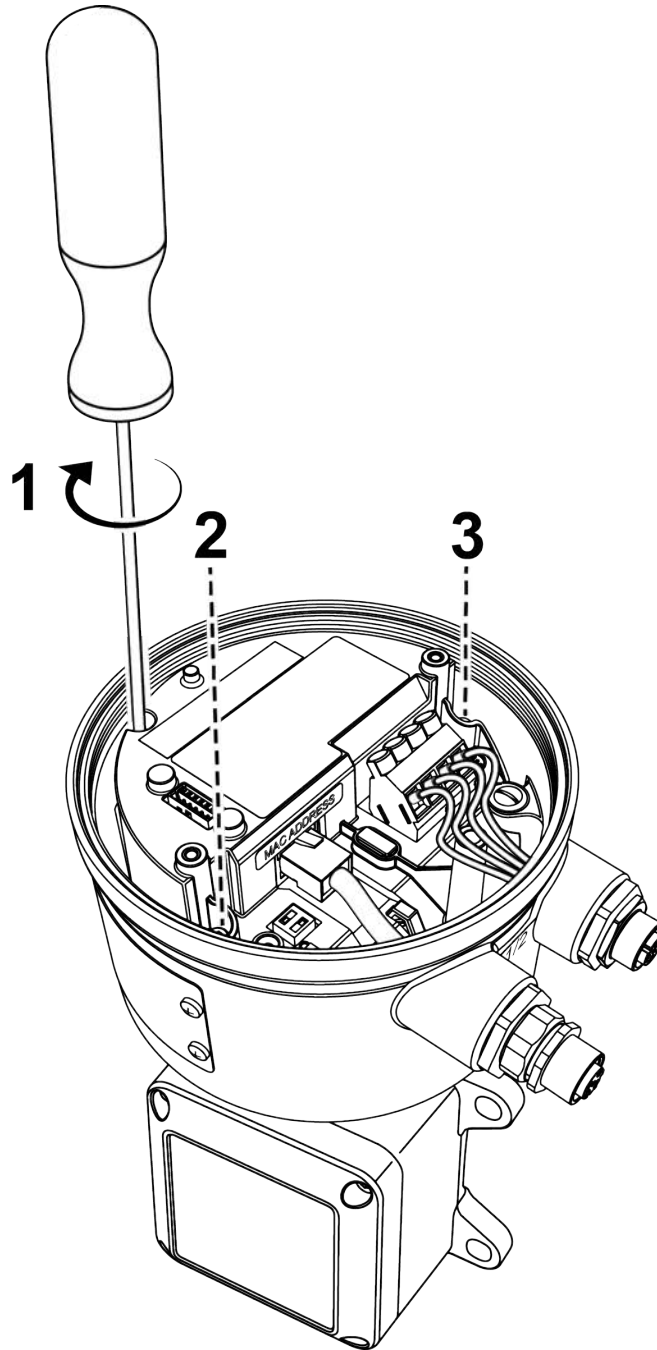
18.



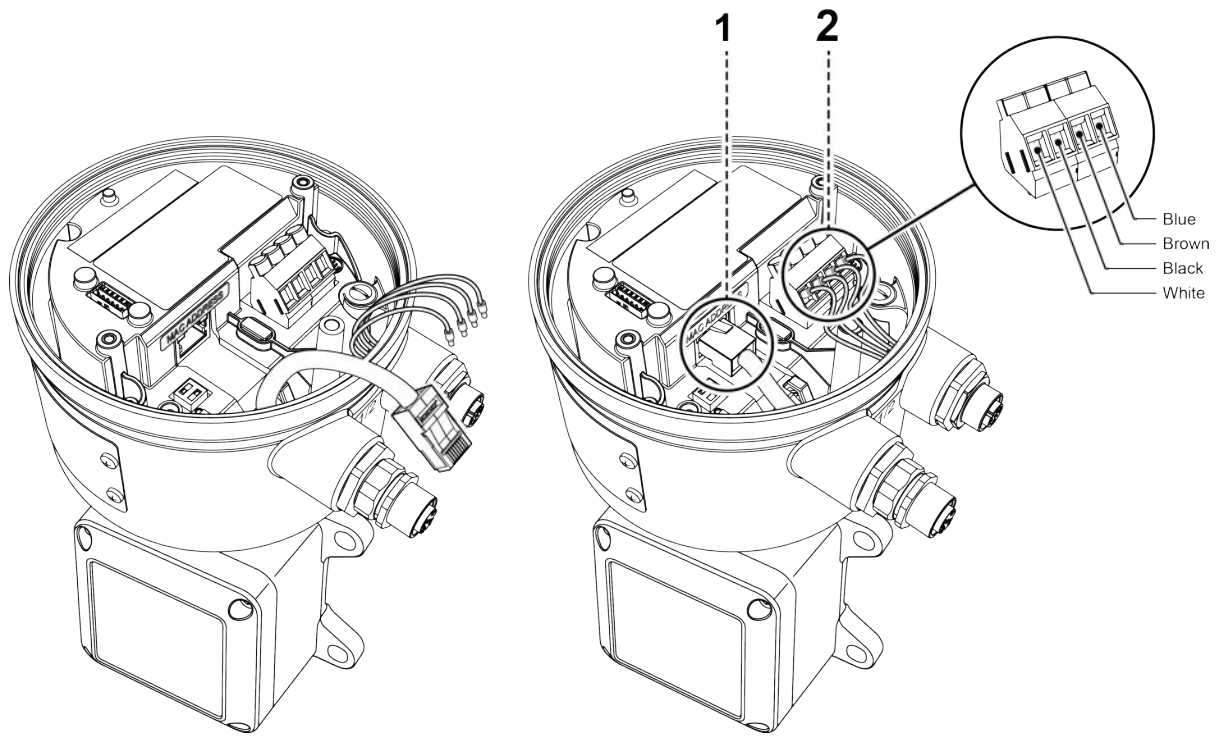
19.



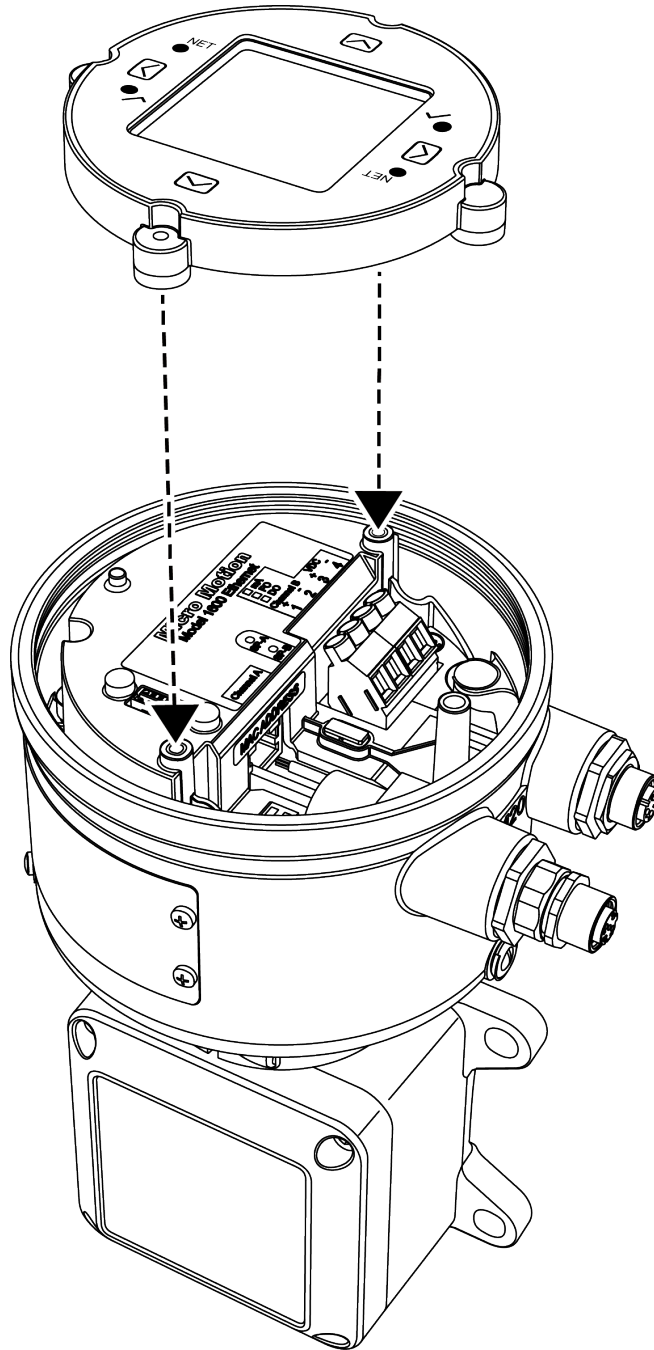
20.



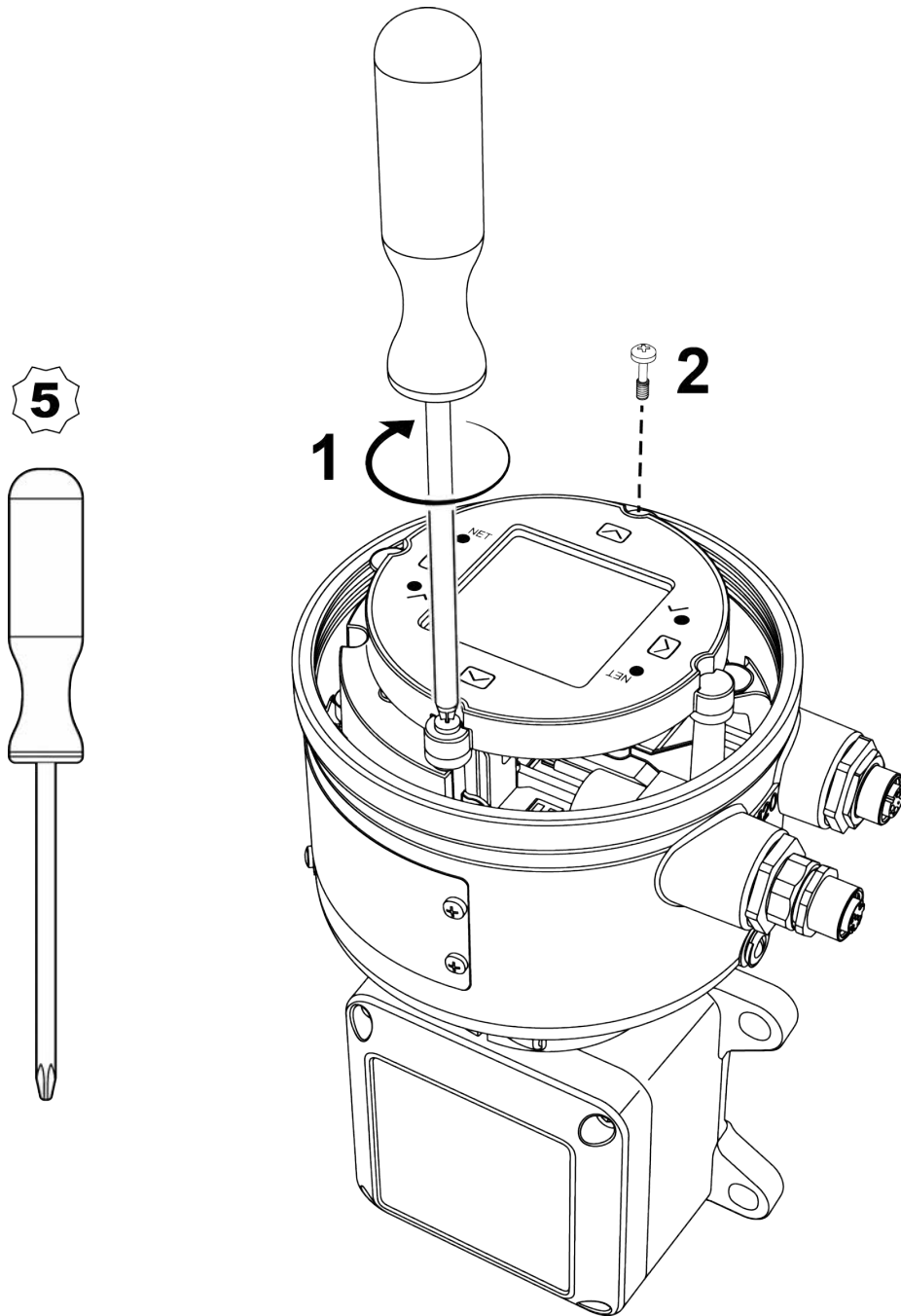
21.



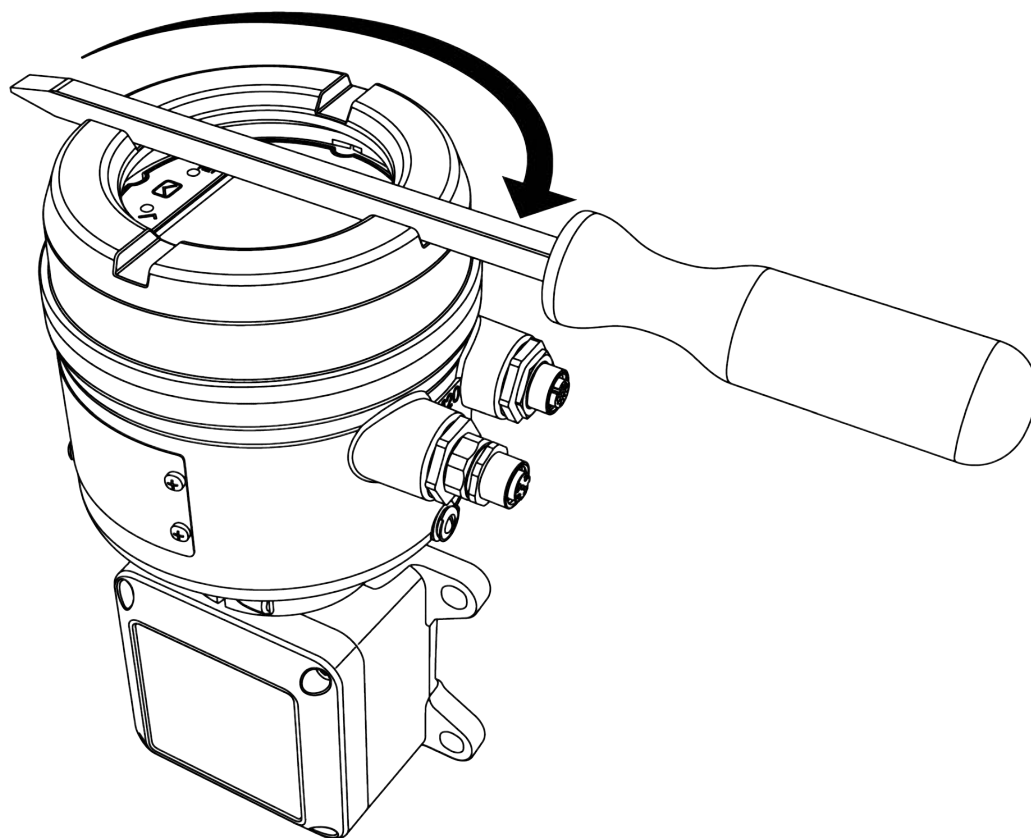
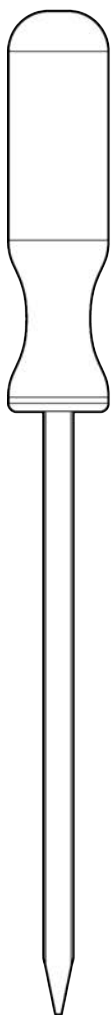
22.



23.



24. **1**





MS-00825-0600-1600
Rev. AA
November 2022

For more information: www.emerson.com

©2022 Micro Motion, Inc. All rights reserved.

The Emerson logo is a trademark and service mark of Emerson Electric Co. Micro Motion, ELITE, ProLink, MVD and MVD Direct Connect marks are marks of one of the Emerson Automation Solutions family of companies. All other marks are property of their respective owners.

MICRO MOTION™

