

Retrofit a Micro Motion 5700 Configurable Inputs and Outputs Display with a Wi-Fi Display

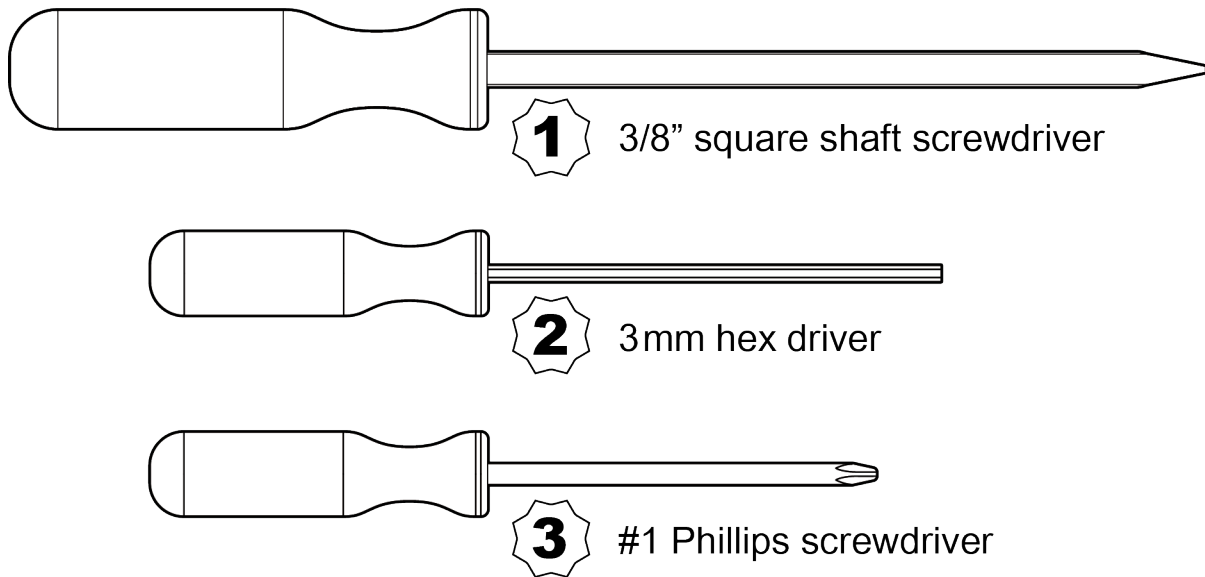


Required tools and prerequisite instructions

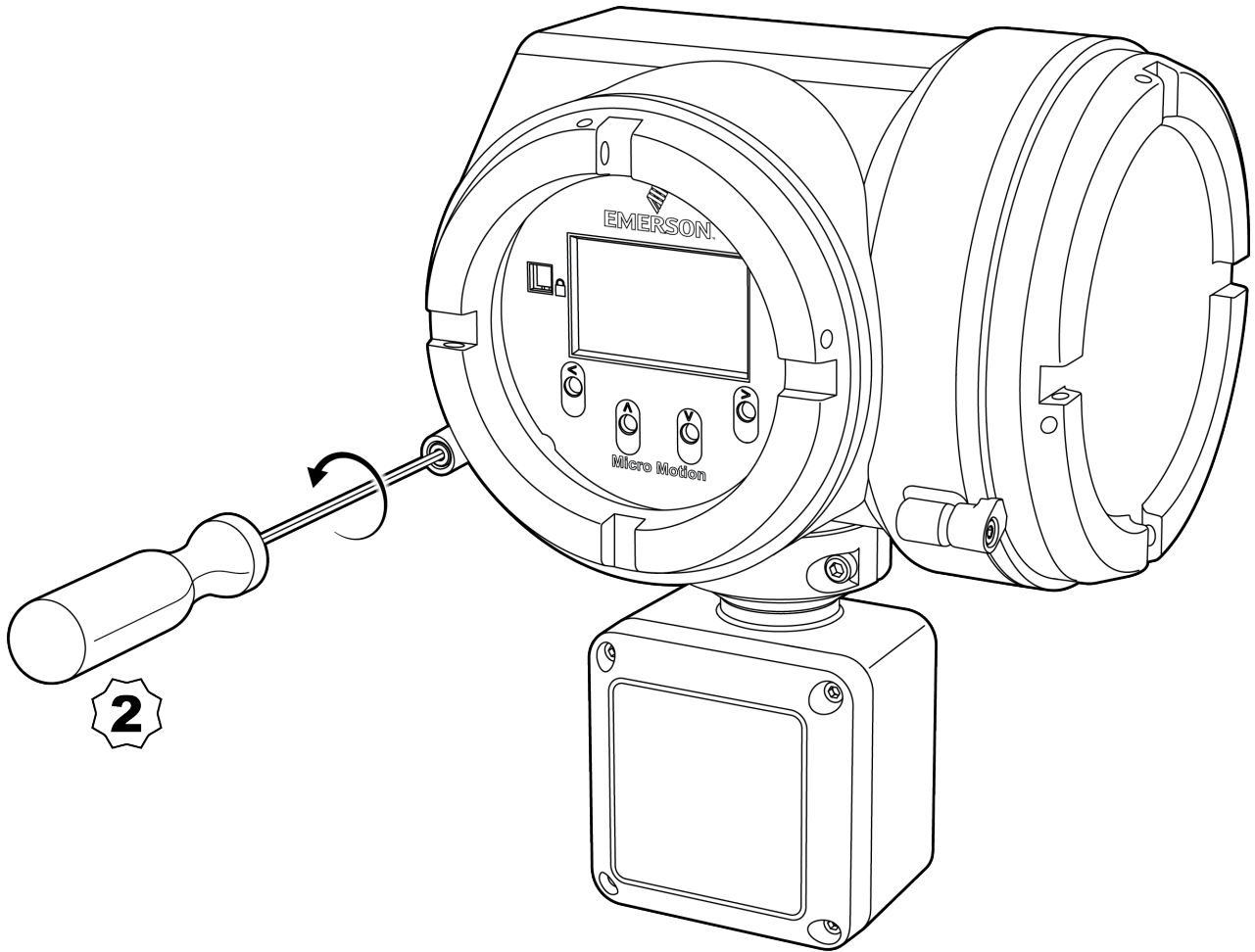
Use these steps to retrofit an existing display for a 5700 transmitter with configurable inputs and outputs with a Wi-Fi display. Wi-Fi is compatible with only 5700 models with configurable inputs and outputs with firmware version 4.0 or later. Upgrade the firmware before retrofitting the display. For more information about upgrading firmware, see the *Micro Motion 5700 Transmitters with Configurable Inputs and Outputs: Configuration and Use Manual*.

Important

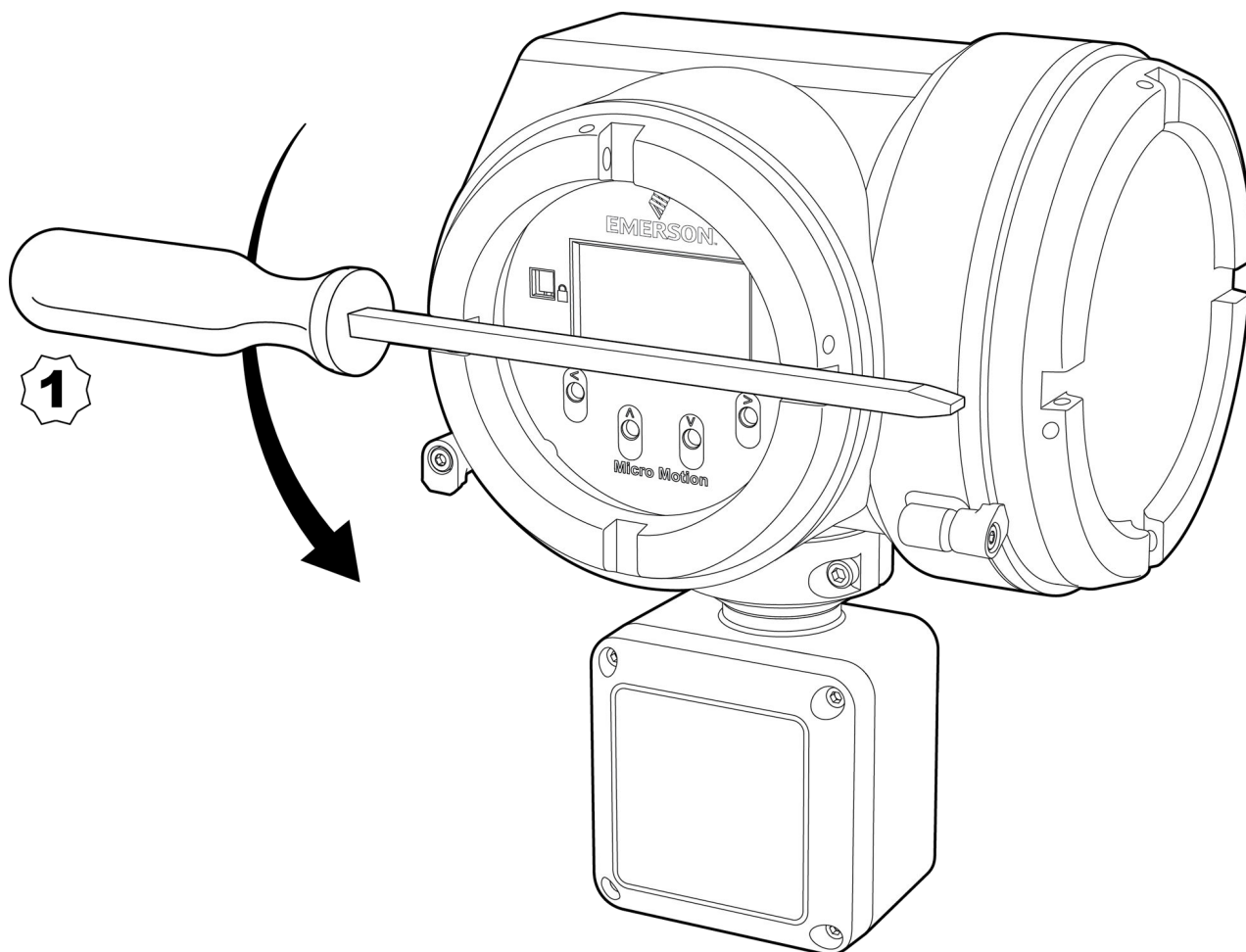
The Wi-Fi module adds additional heat dissipation inside the 5700 housing that reduces the tagged temperature code from T5 to T4 on all Zone2/Div2 installations. To retag this device for Zone2/Div2 installations, consult the factory.



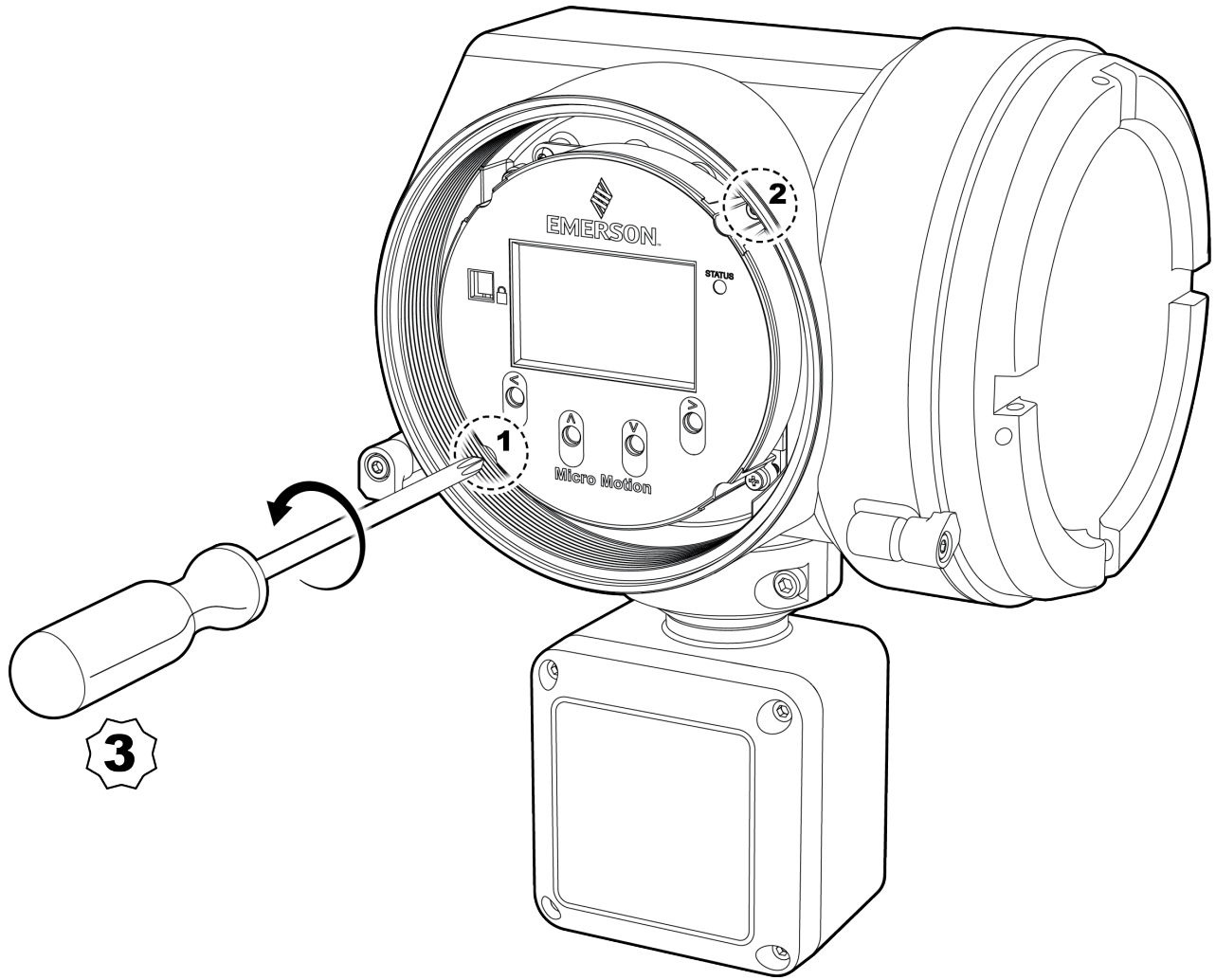
1.



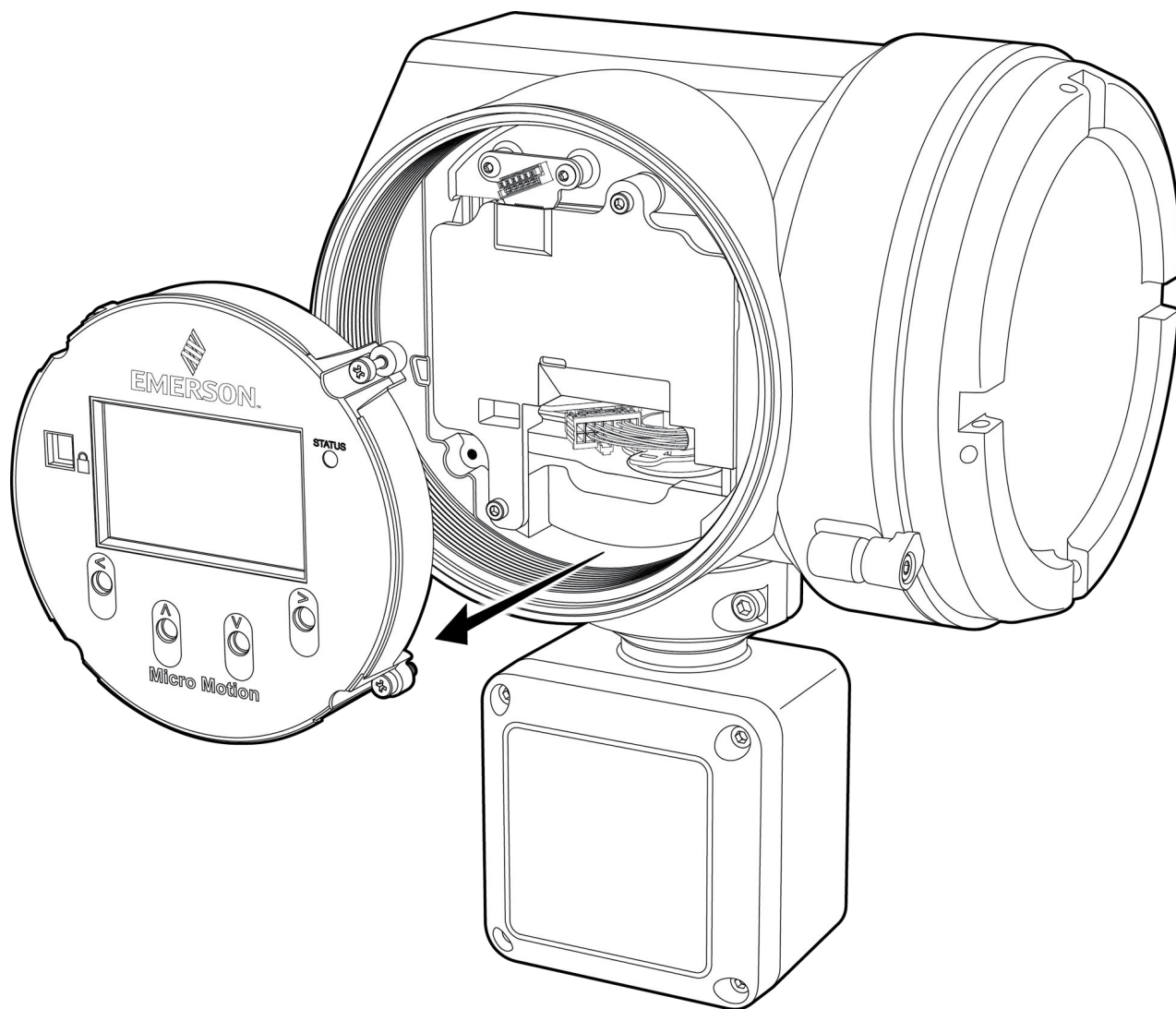
2.



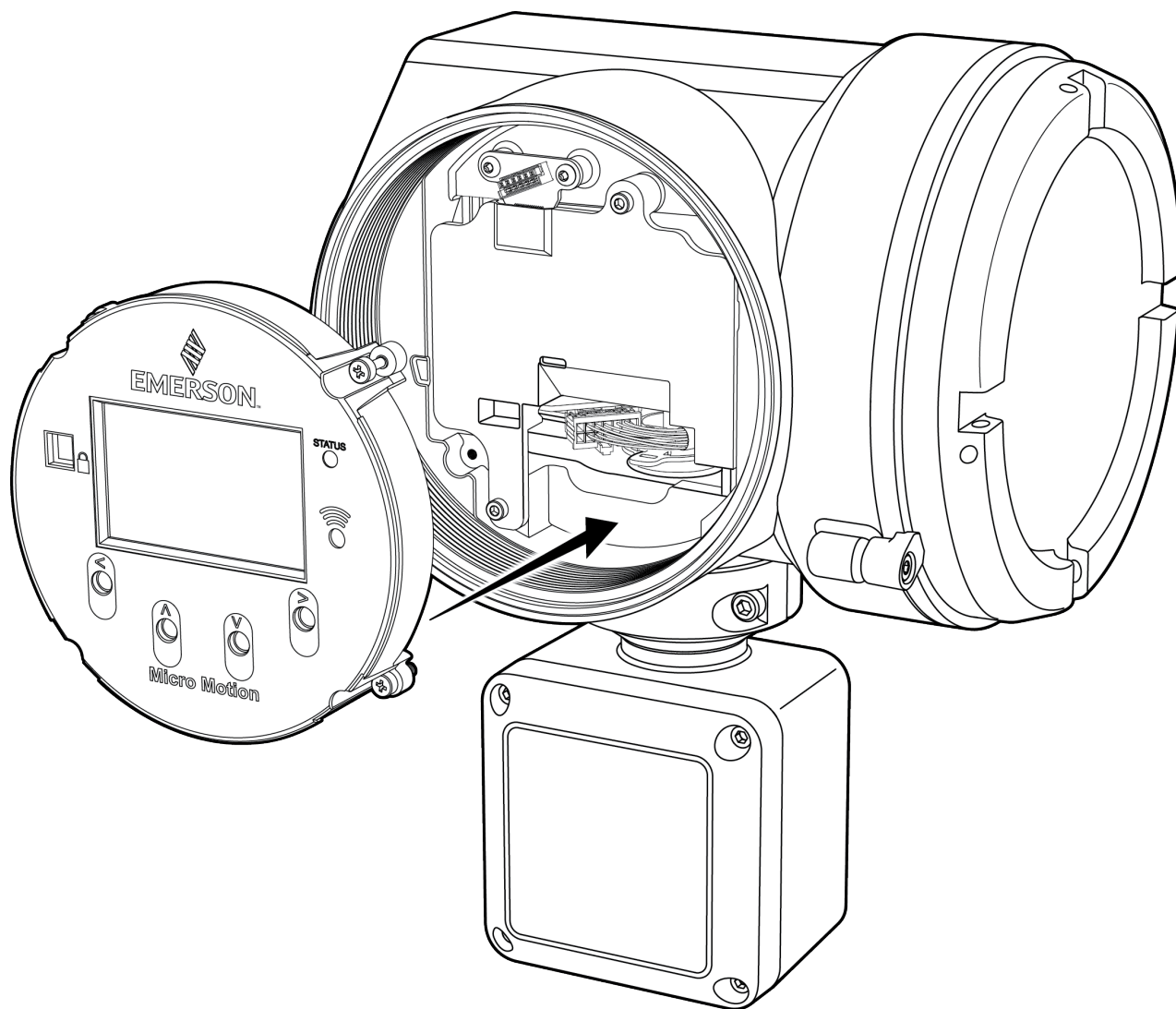
3.



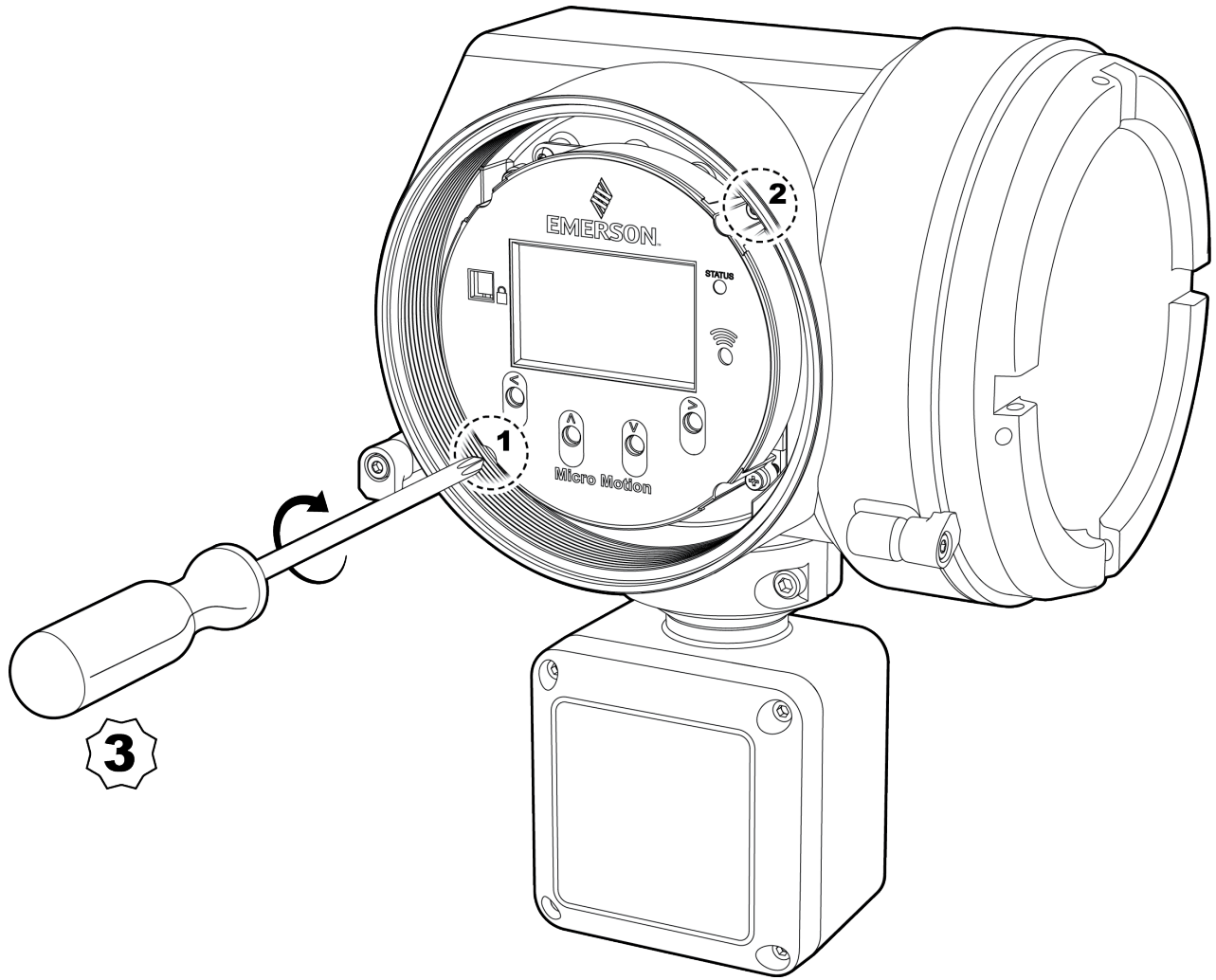
4.



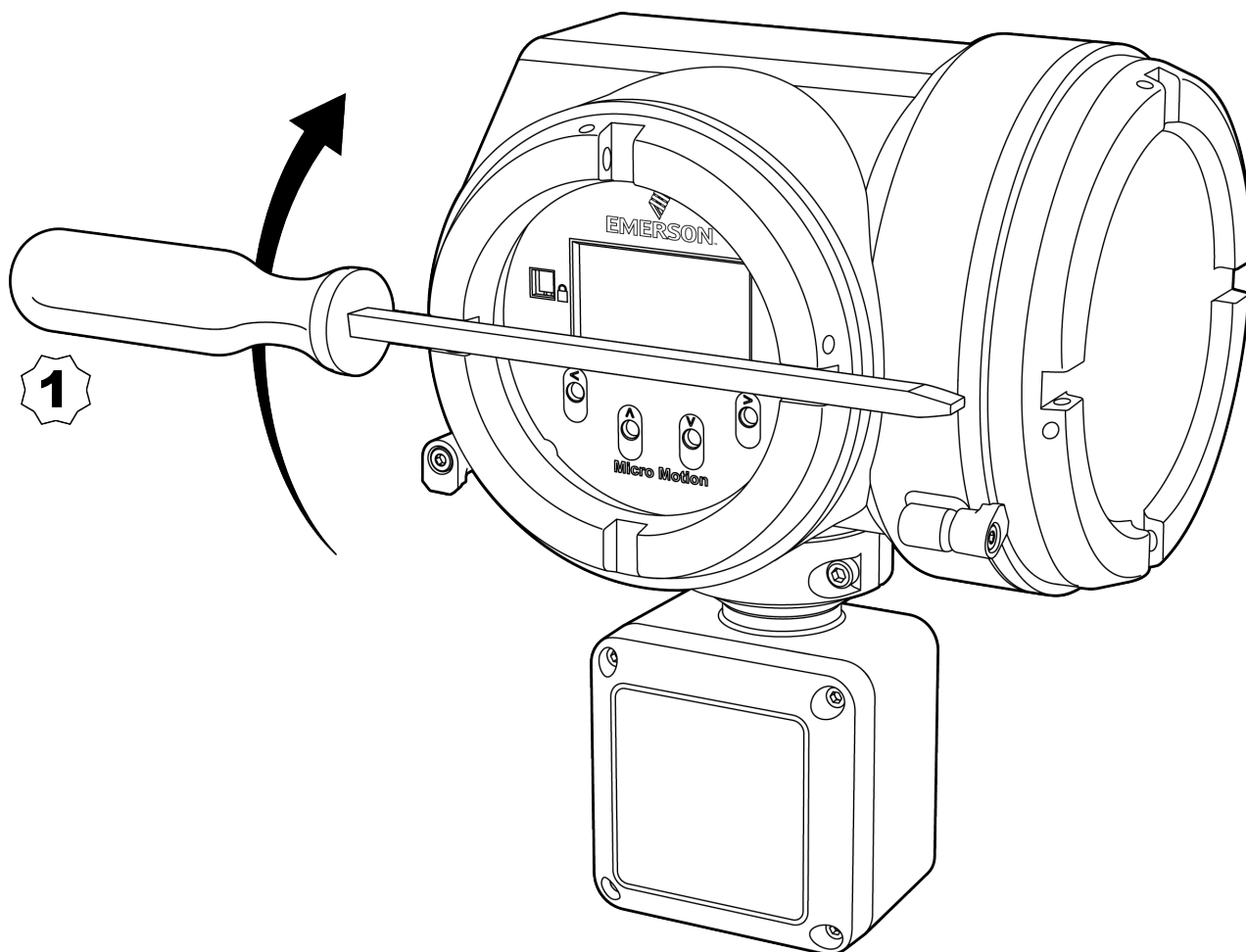
5.



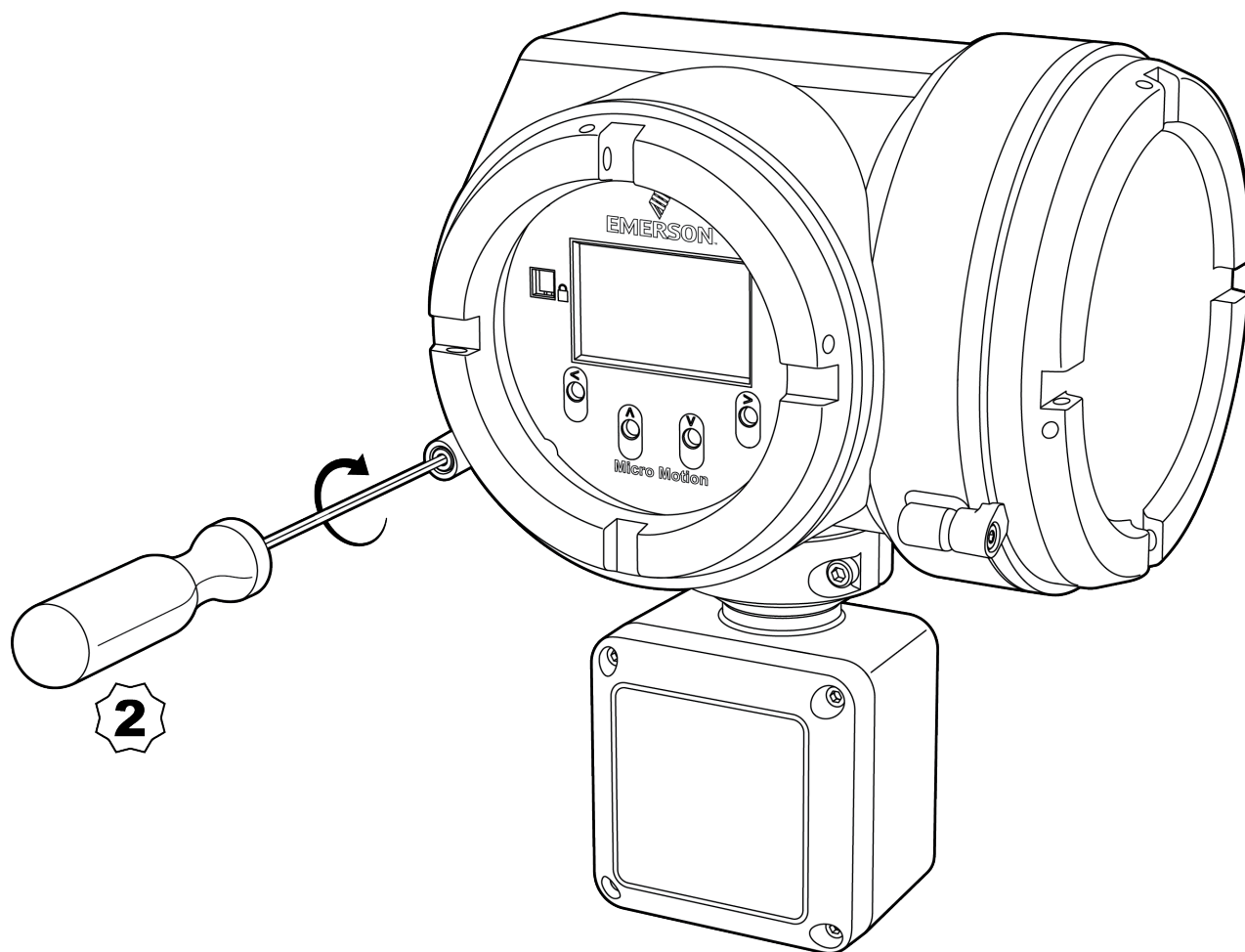
6.



7.



8.



2



MMI-20079655
Rev. AA
November 2020

Emerson Automation Solutions

7070 Winchester Circle
Boulder, Colorado USA 80301
T: +1 800-522-6277
T: +1 303-527-5200
F: +1 303-530-8459
Mexico: +52 55 5809 5300
Argentina: +54 11 4809 2700
Brazil: +55 15 3413 8000
Chile: +56 2 2928 4800
Peru: +51 15190130

Emerson Automation Solutions

Central Europe: +41 41 7686 111
Eastern Europe: +41 41 7686 111
Dubai: +971 4 811 8100
Abu Dhabi: +971 2 697 2000
Austria: +43 2236 607-0
France: +33 (0) 800 917 901
Germany: +49 (0) 2173 3348 0
Italy: +39 8008 77334
The Netherlands: +31 (0) 70 413 6666
Belgium: +32 2 716 77 11
Spain: 900 901 983
U.K. and Ireland: 0870 240 1978
Russian/CIS: +7 495 995 9559

Emerson Automation Solutions

Australia: (61) 3 9721 0200
China: (86) 21 2892 9000
India: (91) 22 6662 0566
Japan: +81-3-5769-6800
South Korea: (82) 31 8034 0000
Singapore: (65) 6 363 7766

©2020 Micro Motion, Inc. All rights reserved.

The Emerson logo is a trademark and service mark of Emerson Electric Co. Micro Motion, ELITE, ProLink, MVD and MVD Direct Connect marks are marks of one of the Emerson Automation Solutions family of companies. All other marks are property of their respective owners.