



PENBERTHY MODELS XL-32 AND NWH STEAM JET HEATERS

INSTALLATION, OPERATION AND MAINTENANCE INSTRUCTIONS

Before installation, these instructions must be read carefully and understood.

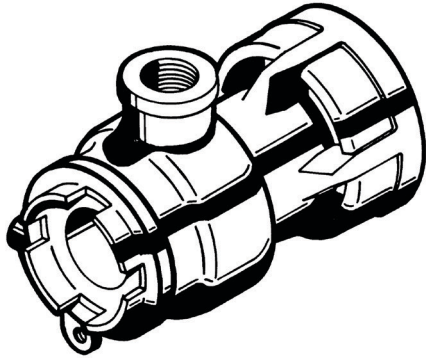


TABLE OF CONTENTS

Product warranty	1
1 About the manual.....	2
2 Introduction	2
2.1 Features and specifications	2
2.2 Design ratings at max. and min. operating temperatures	2
2.3 Application data	2
3 Inspection and performance confirmation	2
3.1 Receiving inspection	2
3.2 User's rating inspection	2
4 Installation.....	3
4.1 Mounting.....	3
4.2 Effect of related piping and precautions (all units).....	4
4.3 Effect of related piping and precautions (each model).....	4
5 Operation	4
5.1 Pre-operational check.....	4
5.2 Operating	4
6 Maintenance	5
6.1 Preventative maintenance.....	5
6.2 Troubleshooting	5
7 Disassembly - reassembly	5
8 Disposal at end of useful life	5
9 Telephone assistance	6
10 Exploded parts drawing.....	6
Tables and figures	
Table 1 - Design ratings at max. and min. operating temperatures	2
Table 2 - Troubleshooting	5
Figure 1 - Spherical tank	3
Figure 2 - Mounting	3
Figure 3 - Exploded parts drawing (XL-32)	6
Figure 4 - Exploded parts drawing (NWH).....	6

PRODUCT WARRANTY

Emerson warrants its Penberthy products as designed and manufactured to be free of defects in the material and workmanship for a period of one year after the date of installation or eighteen months after the date of manufacture, whichever is earliest. Emerson will, at its option, replace or repair any products which fail during the warranty period due to defective material or workmanship.

Prior to submitting any claim for warranty service, the owner must submit proof of purchase to Emerson and obtain written authorization to return the product. Thereafter, the product shall be returned to Emerson with freight prepaid.

This warranty shall not apply if the product has been disassembled, tampered with, repaired or otherwise altered outside of the Emerson factory, or if it has been subject to misuse, neglect or accident.

The responsibility of Emerson hereunder is limited to repairing or replacing the product at its expense. Emerson shall not be liable for loss, damage or expenses related directly or indirectly to the installation or use of its products, or from any other cause or for consequential damages. It is expressly understood that Emerson is not responsible for damage or injury caused to other products, buildings, personnel or property, by reason of the installation or use of its products.

This is Emerson's sole warranty and in lieu of all other warranties, expressed or implied which are hereby excluded, including in particular all warranties of merchantability or fitness for a particular purpose.

This document and the warranty contained herein may not be modified and no other warranty, expressed or implied, shall be made by or on behalf of Emerson unless made in writing and signed by the company's general manager or director of engineering.

PENBERTHY MODELS XL-32 AND NWH STEAM JET HEATERS

INSTALLATION, OPERATION AND MAINTENANCE INSTRUCTIONS

1 ABOUT THE MANUAL

This manual has been prepared as an aid and guide for personnel involved in installation or maintenance. All instructions must be read and understood thoroughly before attempting any installation, operation or maintenance.

IMPORTANT

Emerson does not have any control over the manner in which its steam jet heater is handled, installed or used. Emerson cannot and will not guarantee that a steam jet is suitable or compatible for the user's specific application.

WARNING

Safety glasses should always be worn when installing a steam jet heater. Failure to follow any instruction could possibly result in a malfunction of the heater with resulting physical injury or property damage.

2 INTRODUCTION

2.1 Features and specifications

Penberthy Models XL-32 and NWH steam jet heaters are designed for heating liquids in a tank by direct contact with steam. Steam is injected into the system under pressure causing circulation and suction of liquid to promote even temperature distribution.

2.2 Design ratings at maximum and minimum operating temperatures (see Table 1)

To determine the maximum allowable working pressure for a specific temperature within the design limits stated in Table 1, the user should refer to relevant data sheets or, when provided, the specifically stated design limits on a product proposal.

2.3 Application data

NWH - Maximum liquid temperature for noiseless operation is 160°F (71°C). Minimum steam operating pressure is 10 psig (70 kPaG).

XL-32 - Maximum liquid temperature for noiseless operation is 160°F (71°C). Minimum steam pressure for noiseless operation is 60 psig (415 kPaG) when not using the air bleed (operation at steam pressures below 60 psig (415 kPaG) requires adjustment of an air bleed valve to gain the quietest operation). Minimum steam operating pressure when using air bleed is 3 psig (20 kPaG).

Note: For specific application data within the above ranges, the user should consult the product proposal for the specific model and size NWH and XL-32 heater, or should request the supply of the applicable technical data sheet.

WARNING

Under no circumstances should these design ratings or application data be exceeded. Exceeding design ratings or application data may cause severe physical injury or property damage.

3 INSPECTION AND PERFORMANCE CONFIRMATION

3.1 Receiving inspection

Upon receipt of the steam jet heater, check all components carefully for damage incurred in shipping. If damage is evident or suspected, do not attempt installation. Notify the carrier immediately and request a damage inspection.

3.2 User's rating inspection

The user should confirm that:

1. The steam jet heater size and model designation (cast on side of body) conforms to the description on the user's purchase order.
2. The operating conditions described in the purchase order agree with the actual operating conditions at the installation site.
3. The actual operating conditions at the installation site are within the application data shown on the relevant technical data sheet or product proposal referred to above.
4. The materials of construction of the steam jet heater are compatible with both the contained fluid and the surrounding atmosphere in the specific application.

IMPORTANT

If the size, model or performance data of the steam jet heater as received does not conform with any of the criteria above, do not proceed with installation. Contact an authorized Penberthy distributor for assistance.

TABLE 1 - DESIGN RATINGS AT MAXIMUM AND MINIMUM OPERATING TEMPERATURES

Model	Material	Nozzles
NWH	Iron	125 psig [860 kPaG] at -20°F [-29°C] to 350°F [177°C]
	Bronze and stainless steel	140 psig [965 kPaG] at -20°F [-29°C] to 360°F [182°C]
XL-32	Bronze	140 psig [965 kPaG] at -20°F [-29°C] to 360°F [182°C]

PENBERTHY MODELS XL-32 AND NWH STEAM JET HEATERS

INSTALLATION, OPERATION AND MAINTENANCE INSTRUCTIONS

4 INSTALLATION

Installation should only be undertaken by qualified experienced personnel who are familiar with this equipment and have read and understand all the instructions in this manual. The user should refer to the relevant technical data sheet or product proposal to obtain dimensional information for the specific size and model of steam jet heater. Check the exploded view (Figure 3 - XL-32 or Figure 4 - NWH) for the location of the inlet and discharge connections to insure correct hook up (also the location of the air bleed connection for the XL-32 heater).

4.1 Mounting

Steam jet heaters should be positioned with the tank so as to insure the free flow of liquid to be heated into and out of the unit. The greatest agitation occurs within the discharge plume; therefore, the discharge end should be aimed towards the most remote part of the tank. On the other hand, the intake end of the unit must be far enough from the tank corner or wall to allow the free flow of liquid into the suction openings.

Tank shape and size influence the placement and number of steam jet heaters required to assure even temperature distribution. A spherical tank with a single steam jet heater mounted as shown in Figure 1 makes the best use of the heating and circulating characteristics of the steam jet heater. With no corners to impede liquid flow, the liquid circulates undisturbed while being heated.

The angular intersection of surfaces in cylindrical, square or rectangular tanks can interrupt liquid flow patterns and cause liquid stagnation in these areas. A single jet heater mounted as shown in Figure 2 will tend to minimize this effect. However, multiple steam jet heaters can often produce more efficient circulation when using these tank shapes. To avoid significant steam pressure drop, never use smaller steam pipe than the heater connection size.

Long, narrow tanks whose ratio of length to diameter is greater than 2:1 normally require multiple steam jet heaters. This applies to horizontal or vertical tank installations. Relatively large tanks of any shape may require multiple steam jet heaters to maintain even temperature distribution.

FIGURE 1
Spherical tank

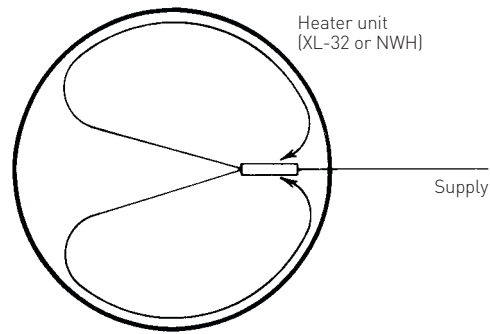
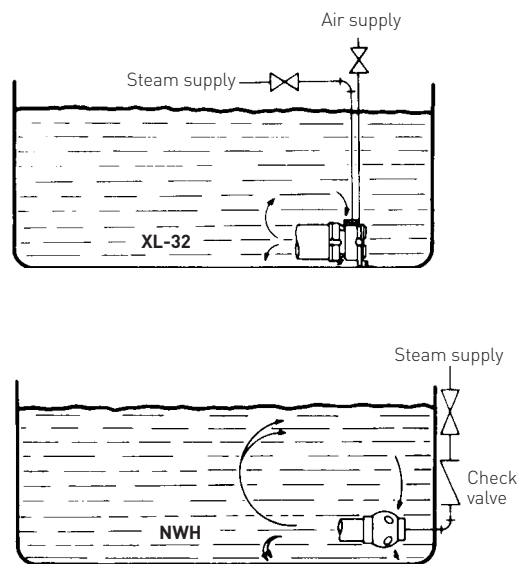


FIGURE 2



PENBERTHY MODELS XL-32 AND NWH STEAM JET HEATERS

INSTALLATION, OPERATION AND MAINTENANCE INSTRUCTIONS

4.2 Effect of related piping and precautions (all units)

1. Steam must not have over 20°F (-7°C) of superheat, or performance will differ from that published in the relevant technical data sheet or product proposal.
2. Steam line pressure loss must be taken into account when applying steam jet heaters.
3. The steam line must be clean and provided with a strainer to prevent foreign materials from clogging the heater.
4. The steam line should be installed as short as possible to prevent condensation and friction losses.
5. Steam jet heaters must be fully submerged to prevent liquid from splashing and to promote condensation of steam.
6. Clearance should be provided for removal of the steam jet heater.
7. Provisions should be made for a pressure gauge connection in the steam supply line as near to the heater as possible. It may become necessary to install a pressure gauge if operating difficulties are encountered.
8. Steam piping must be secured to the tank wall near the steam jet heater to keep strain off piping when in operation.
9. The steam supply valve should be a quick opening type installed as close to the steam jet heater as practical.

4.3 Effect of related piping and precautions (each model)

1. *NWH*
A 10 to 12 inch (254 to 305 mm) long nipple must be installed on the discharge connection for satisfactory operation.
2. *XL-32*
 - a. A 12 to 18 inch (305 to 457 mm) long nipple must be installed on the discharge connection for satisfactory operation.
 - b. A mounting lug is provided to secure the steam jet heater to a tank wall where the steam pipe itself does not provide a rigid mounting.
 - c. For noiseless operation when steam supply pressure is below 60 psig (415 kPaG), a connection is provided for piping in atmospheric air. The steam jet heater will pull in the outside air which must be regulated with a small valve to the minimum which produces the quietest operation. The air inlet must be turned downward as shown in Figure 2 to help keep out foreign material and to protect against possible back flow of steam through the air inlet line.

IMPORTANT

Live steam will blow out of the air bleed orifice in the event of back flow. Back flow is possible if the steam nozzle becomes partially or totally clogged.

- d. For quietest operation do not submerge heater more than 3 inches for each psi operating steam pressure. Maximum depth to submerge heater is 8 feet for operating steam pressures above 30 psig (205 kPaG).

5 OPERATION

5.1 Pre-operational check

1. Ensure that all installation procedures have been completed.
2. Fill the tank with sufficient liquid for full submergence of heater.

5.2 Operating

1. Turn the steam flow fully on and maintain throughout the heating process.
2. After the desired temperature is reached, the steam pressure should be turned off.
3. Do not throttle the steam supply valve. Throttling of steam flow to conditions outside the recommended operating levels will cause the steam jet heater to hammer with resulting noise and vibration.

IMPORTANT

Excessive vibration can become hazardous due to loosening of pipe joints and release of steam.

Temperature of liquid can be controlled thermostatically only if the steam supply is controlled with a snap acting on-off valve.

WARNING

Do not attempt to heat liquid beyond the maximum stated temperature of 160°F (71°C). Where the user has an open tank installation, heating beyond the maximum does not allow the steam time enough to condense fully by the time it reaches the surface of the liquid, thus splashing can result causing severe personal injury or property damage.

PENBERTHY MODELS XL-32 AND NWH STEAM JET HEATERS

INSTALLATION, OPERATION AND MAINTENANCE INSTRUCTIONS

6 MAINTENANCE

WARNING

Maintenance should only be undertaken by qualified, experienced personnel who are familiar with this equipment and have read and understood thoroughly all the instructions in this manual.

DO NOT proceed with any maintenance unless the steam jet heater has been relieved of all pressure or vacuum, has been allowed to reach ambient temperature and has been drained or purged of all fluids. Failure to follow these instructions may cause a sudden release of steam resulting in severe personal injury or property damage.

6.1 Preventative maintenance

The user must create maintenance schedules, safety manuals, and inspection details for each specific installation of a steam jet heater.

On all installations, the following items should be evaluated regularly by the user for purposes of maintenance:

1. Heater unit(s) for corrosion or debris build up
2. Piping and fittings for corrosion or debris build up
3. All connections for tightness
4. Units for wear
5. Units for full submergence
6. The XL-32 strainer for debris build up

The user must determine an appropriate maintenance schedule necessary for his or her own specific application upon evaluation of their operating experience. Realistic maintenance schedules can only be determined with full knowledge of the services and application situation involved.

6.2 Troubleshooting (see table 2)

7 DISASSEMBLY - REASSEMBLY

WARNING

Do not proceed with removal of the steam jet heater from connecting piping unless the steam jet heater has been relieved of all pressure or vacuum, has been allowed to reach ambient temperature and has been drained or purged of all fluids. Failure to follow these instructions may cause a sudden release of pressure resulting in personal injury or property damage.

1. The NWH is a one-piece device with tapered pipe threads on both ends, inlet and discharge. The wrench flats on the inlet end should always be used when removing the NWH from the inlet piping, or when removing the discharge nipple. Do not clamp on body.
2. The XL-32 heater is made up of four parts - a body, a steam jet, a water jet and a strainer. A 12" to 18" (305 to 457 mm) long nipple must be added to the discharge for satisfactory operation.

To disassemble the XL-32 heater, first attach a short piece of pipe to the suction connection to use for leverage. Place a bar across the slots in the water jet (82-A) and unscrew by turning the water jet in a counterclockwise direction. Slide out the steam jet (82-B) and attached the strainer (76). Slide the strainer (76) off the steam jet (82-B).

When ready to reassemble the heater, be sure the seat, strainer and body are free of foreign material and raised metal due to nicks. A non-hardening pipe seal compound may be applied to the threads to promote sealing further. Slide the strainer (76) on to the steam jet (82-B) until it is sealed. Slide the strainer and steam jet assembly into the body (82) until seated, making sure the air bleed port is opposite to the steam inlet connection. Thread the water jet (82-A) back into the body turning in a clockwise direction and tighten in place.

8 DISPOSAL AT END OF USEFUL LIFE

Penberthy steam jet heaters are used in a variety of fluid applications. By following the appropriate federal and industry regulations, the user must determine the extent of preparation and treatment the jet heater must incur before its disposal. A Material Safety Data Sheet (MSDS) may be required before disposal services accept certain components. Metal, glass and polymers should be recycled whenever possible. Refer to order and relevant technical data sheet for materials of construction.

TABLE 2

Problem	Cause	Solution
Insufficient heating taking place	<ol style="list-style-type: none"> 1. Debris blockage of inlet, suction, discharge or strainer (XL-32 only) 2. Loss of steam pressure due to loose connections 3. Steam pressure too low 	<ol style="list-style-type: none"> 1. Remove debris 2. Recheck and tighten all connections 3. Increase pressure
Partial heating	<ol style="list-style-type: none"> 1. Inadequately sized heater 2. Debris blockage 3. Operating steam pressure too low 4. Increased product demand 	<ol style="list-style-type: none"> 1. Obtain proper size heater 2. Remove debris 3. Increase pressure 4. Balance product flow to heating capability of unit
Noise, water hammer, vibration	<ol style="list-style-type: none"> 1. Operating steam pressure too low or liquid temperature too high 	<ol style="list-style-type: none"> 1. Increase pressure or decrease temperature
Noise and vibration after tank has reached temperature set point	<ol style="list-style-type: none"> 1. Throttling of steam pressure 2. Set point is too high (such as 200°F [93°C]) 	<ol style="list-style-type: none"> 1. Thermostatically controlled heating cycles with snap acting on-off valve 2. Decrease to recommended operating level

PENBERTHY MODELS XL-32 AND NWH STEAM JET HEATERS

INSTALLATION, OPERATION AND MAINTENANCE INSTRUCTIONS

9 TELEPHONE ASSISTANCE

If you are having difficulty with your steam jet heater, contact your local Penberthy distributor. So that we may assist you more effectively, please have as much of the following information available as possible when you call:

- Model number
- Name of the company from whom you purchased the steam jet heater
- Invoice number and date
- Process conditions (pressure, flow rates, tank shape, etc.)
- A brief description of the problem
- Troubleshooting procedures that failed

If attempts to solve your problem fail, you may request to return your steam jet heater to the factory for intensive testing. You must obtain a Return Authorization (R.A.) number from Emerson before returning anything. Failure to do so will result in the unit being returned to you without being tested, freight collect. To obtain an R.A. number, the following information (in addition to that above) is needed:

- Reason for return
- Person to contact at your company
- 'Ship-to' address

There is a minimum charge for evaluation of non-warranty units. You will be contacted before any repairs are initiated should the cost exceed the minimum charge. If you return a unit under warranty, but it is not defective, the minimum charge will apply.

10 EXPLODED PARTS DRAWING

FIGURE 3
XL-32

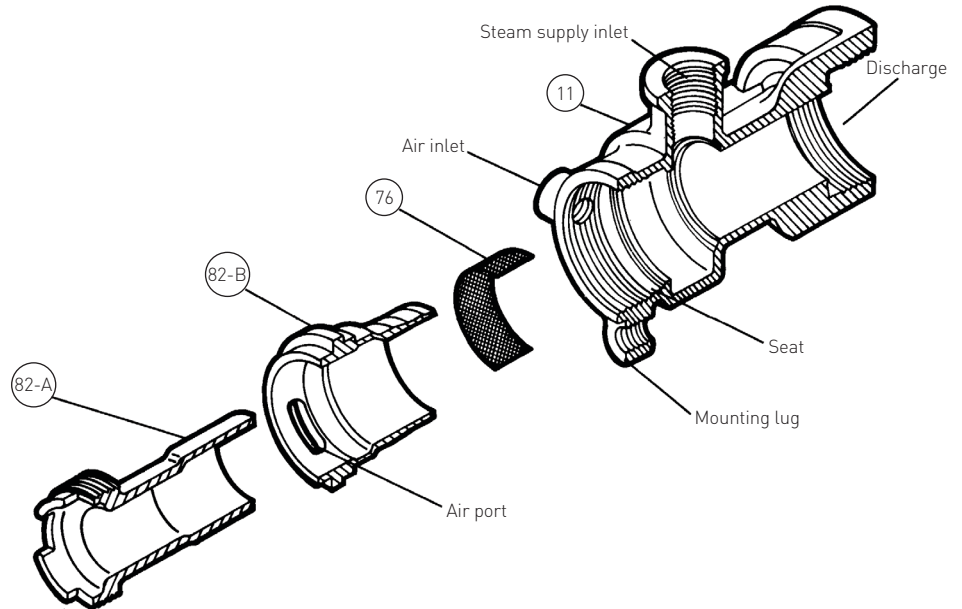
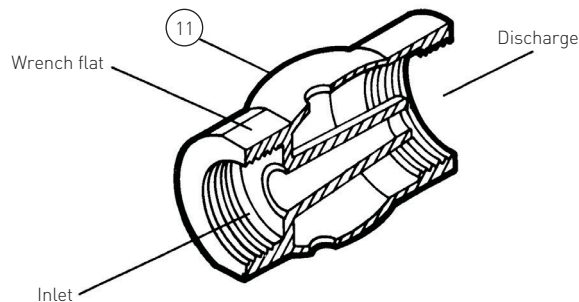


FIGURE 4
NWH



PARTS LIST

Ref. nr	Item
11	Body
76	Strainer
82-B	Steam jet
82-A	Water jet

Neither Emerson, Emerson Automation Solutions, nor any of their affiliated entities assumes responsibility for the selection, use or maintenance of any product. Responsibility for proper selection, use, and maintenance of any product remains solely with the purchaser and end user.

Penberthy is a mark owned by one of the companies in the Emerson Automation Solutions business unit of Emerson Electric Co. Emerson Automation Solutions, Emerson and the Emerson logo are trademarks and service marks of Emerson Electric Co. All other marks are the property of their respective owners.

The contents of this publication are presented for informational purposes only, and while every effort has been made to ensure their accuracy, they are not to be construed as warranties or guarantees, express or implied, regarding the products or services described herein or their use or applicability. All sales are governed by our terms and conditions, which are available upon request. We reserve the right to modify or improve the designs or specifications of such products at any time without notice.